

Sun Special[®]

Qualidade e Tecnologia

PEÇAS

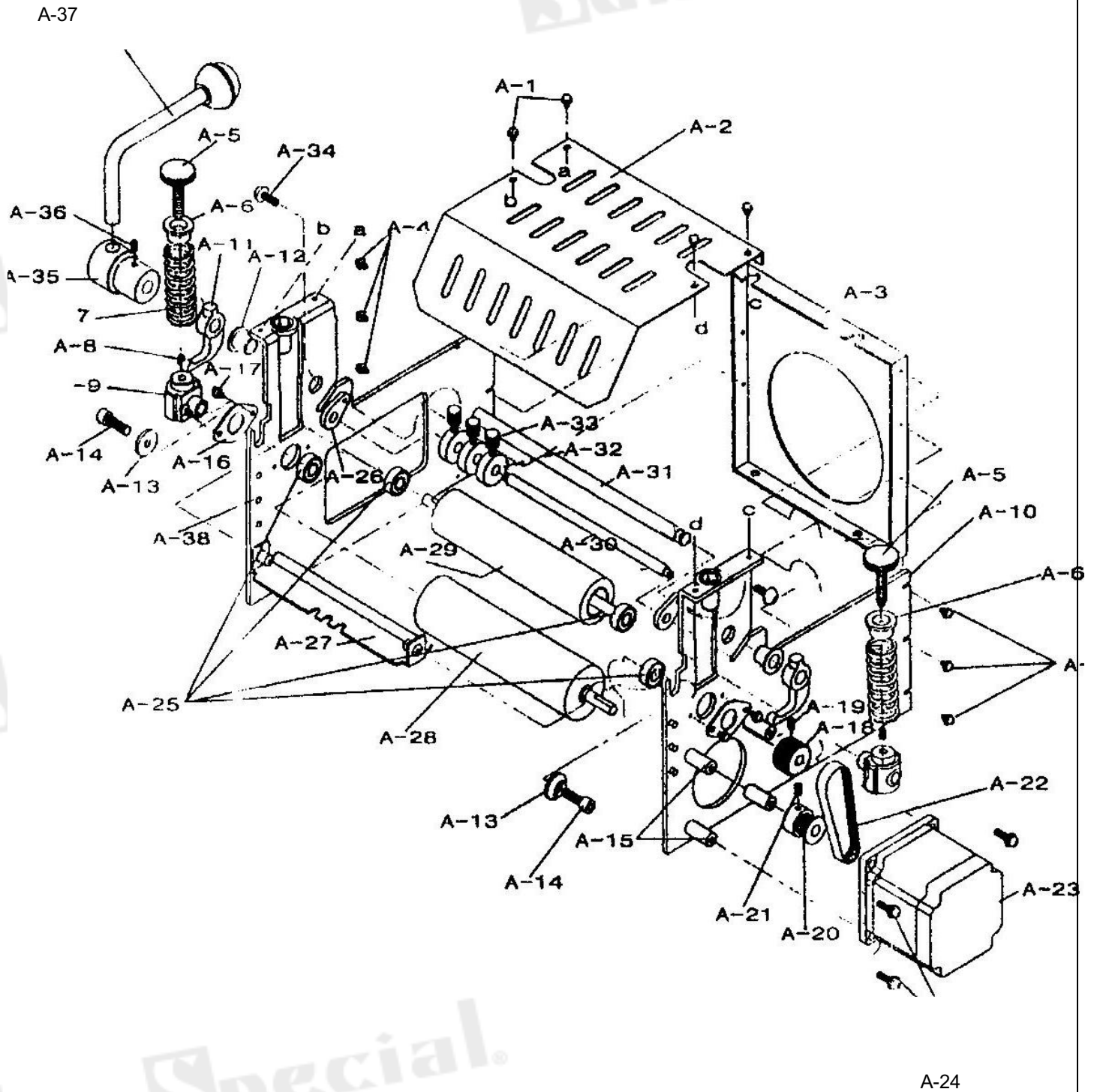
**MÁQUINA DE CORTE QUENTE E FRIO PARA VELCRO E
FITAS**

SS-140LR-Q

WWW.SUNSPECIAL.COM.BR

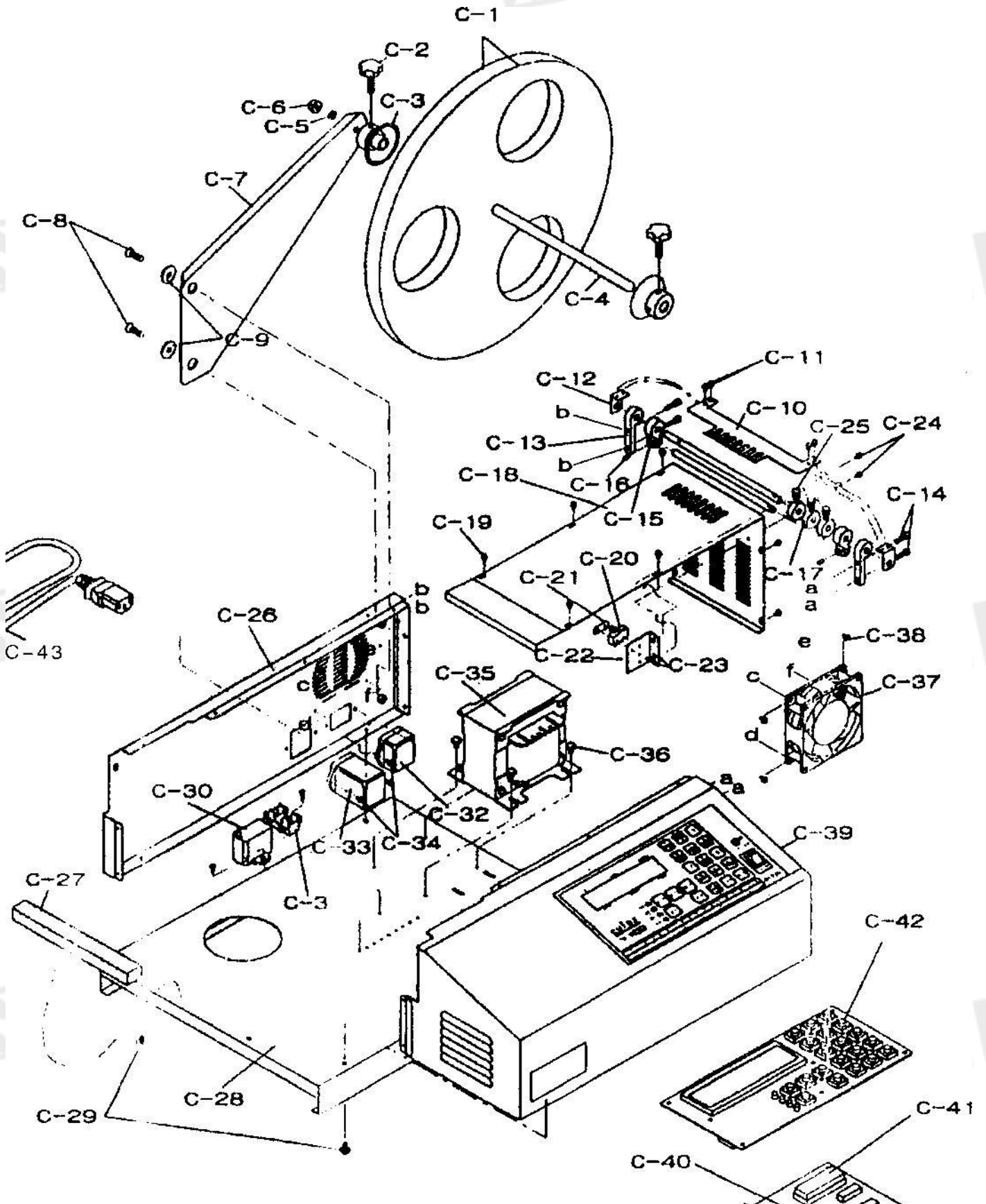
图号	名称	图号	名称
A.1	螺钉 M3x5L screw	A-21	螺钉 M3x5L screw
A.2	切带装置上盖 up cover	A-22	同步齿形带(MXL75) belt
A.3	后壁 back cover	A-23	伺服马达 motor
A-4	螺钉 M3X5L screw	A-24	螺钉 M4X15L screw
A-5	调节螺钉 adjust screw	A-25	轴承(#696) bearing
A-6	弹簧定位块 Spring positioning block	A-26	横轴座 cross shaft base
A-7	压缩弹簧 spring	A-27	刀前控料压板 cloth pressing board
A-8	螺钉 M4x6L screw	A-28	送带轮 Feeding roller
A-9	压带辊座 Press roll base	A-29	压带轮 pressing roller
A-10	左圆筒座 Left cylinder base	A-30	横轴 cross shaft
A-11	弯压座 shaft base	A-31	弯压座轴 shaft
A-12	轴套 bearing connector	A-32	滑动套 plunger coupling
A-13	垫圈 washer	A.33	螺钉 screw
A-14	螺钉 M4x15L screw	A-34	螺钉 M4X5L screw
A-15	伺服马达座 motor base	A-35	手把座 handle bracket
A-16	小压盖 cover	A-36	螺钉 M5x5L screw
A.17	螺钉 M3X5L screw	A-37	手把 handle
A-18	同步齿轮 1 gear	A-38	右圆筒座 Right cylinder base
A-19	螺钉 M4X6L screw		
A-20	小同步齿轮 gear		

SPARE PARTS A



图号	名称	图号	名称
C-1	挡盘 reel	C.23	螺钉 M2X10L screw
C-2	梅花手把 screw	C-24	螺钉 M3x5L screw
C-3	挡蕊 reel protector	C-25	螺钉 screw
C-4	放料臂轴 shaft	C-26	后盖 BACK COVER
C-5	垫圈 6 washer	C-27	吸油条 Oil sucking bar
C-6	螺母 M6 nut m6	C-28	底座 lower cover
C-7	放料臂 ARM	C-29	螺钉 M4x10L screw
C-8	螺钉 M6x15L screw	C-30	电容 Capacitor
C-9	垫圈 C washer	C-31	接线端子 connecting terminal
C-10	压板 press cover	C-32	电器 electric appliance
C-11	螺钉 M3x15L screw	C-33	电器 electric appliance
C-12	压板架 press cover rest	C-34	螺钉 M3X5L screw
C-13	压板座 press cover base	C-35	变压器 transformer
C-14	螺钉 M4x15L screw	C.36	螺钉 M4x6L screw
C15	摇杆座 bar base	C-37	排风扇 fan
C-16	螺钉 M4X6L screw	C-38	螺钉 M3X5L screw
C-17	滑动套 plunger coupling	C-39	前壳 front body cover
C-18	右盖 right cover	C-40	控制刀具集成电路板(MB) PCB board
C-19	螺钉 M3X5L screw	C-41	ROM
C-20	行程开关 position limit switch	C-42	按钮面板(OP) operation panel
C-21	行程开关压板 press plate	C-43	外接线 power cord
C-22	行程开关座板 switch base		

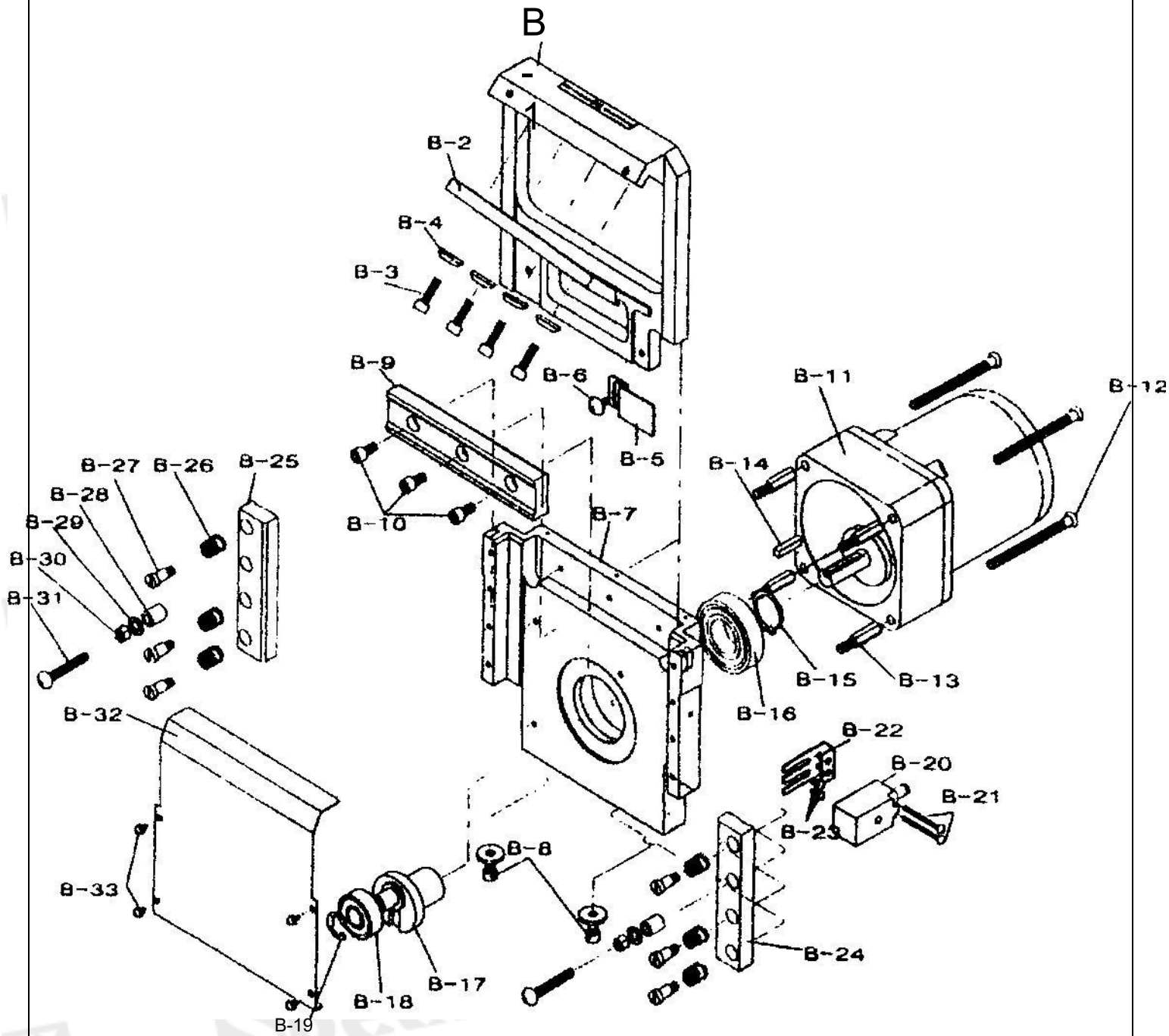
SPARE PARTS C



图号	名称	图号	名称
B-1	上刀座 upper blade rest	B-21	螺钉 M3X20L screw
B-2	上切刀 upper blade	B-22	电眼座 electric holder
B-3	螺钉 M5X15L screw	B-23	螺钉 M3X15L screw
B-4	垫圈 washer	B-24	导轨压板 rail clip
B-5	挡板 dam-board	B-25	导轨压板 rail clip
B-6	螺钉 M4X6L screw	B-26	压力弹簧 spring
B-7	下刀座 lower blade rest	B-27	螺钉 screw
B-8	螺钉 M5X15L screw	B-28	压套 screw pressing sleeve
B-9	下切刀 lower blade	B-29	垫圈 washer
B-10	螺钉 M5x10L screw	B-30	螺母 nut
B-11	减变速马达 motor	B-31	螺钉 M5X30L screw
B-12	、螺钉 M5X42L screw	B-32	左侧盖 left cover
B-13	接减速机螺钉 screw	B-33	螺钉 M3X5L screw
B-14	键 key		
B-15	轴用弹性档圈 Elastic stop ring for shaft		
B-16	轴承(#6004) bearing6004		
B-17	偏心轮 eccentric wheel		
B-18	轴承(#6000) bearing6000		
B-19	开口挡圈 split washer		
B-20	电眼 tunoscope		

COLD blade PARTS

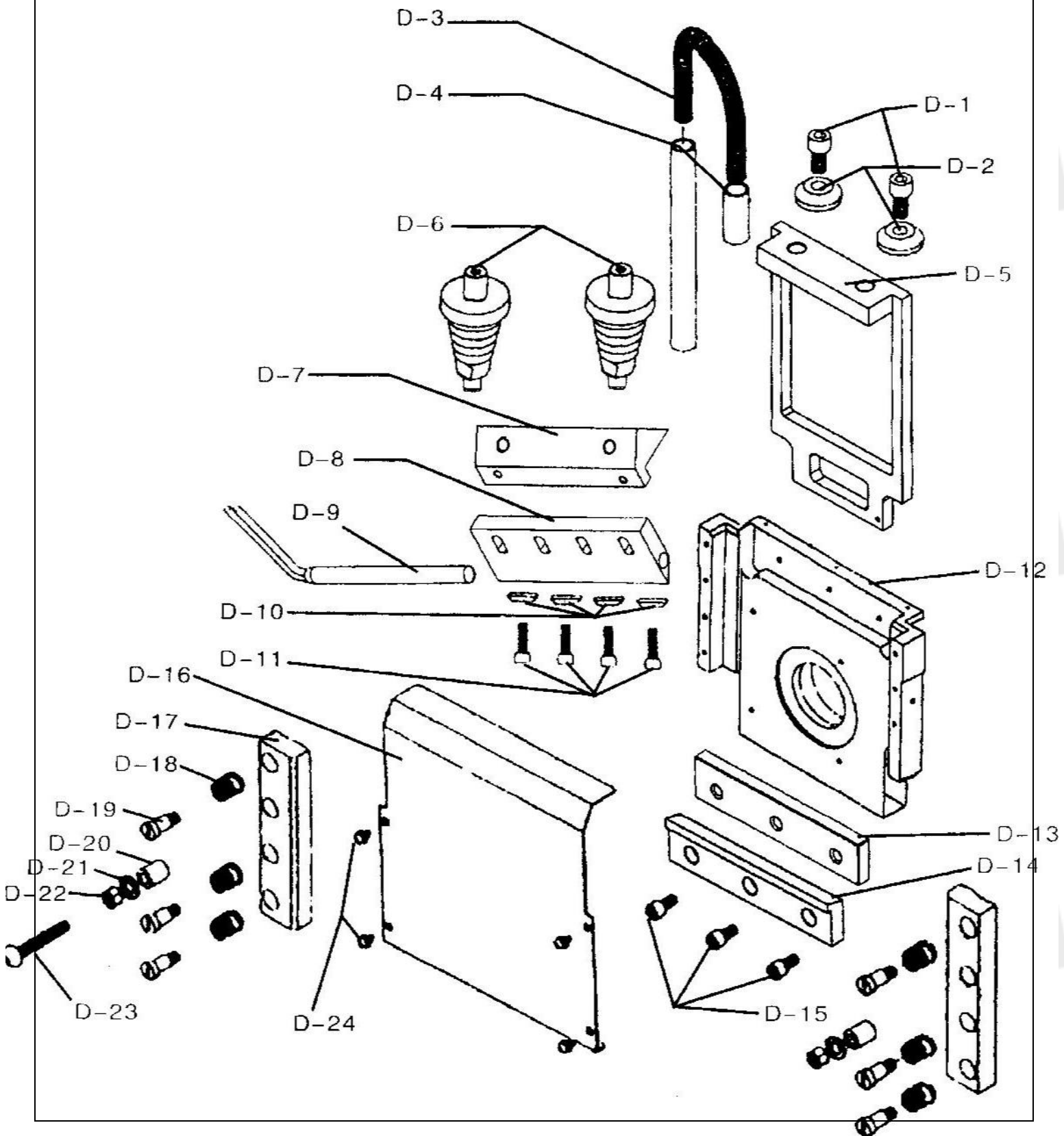
B



图号	名称	图号	名称
D-1	螺钉 M8x28 screw	D-21	垫圈 washer
D-2	垫圈 washer	D-22	螺母 nut
D-3	加热线弹簧 spring	D-23	螺钉 M5X30 screw
D-4	加热线管子 heater coat	D-24	螺钉 M3x5 screw
D-5	上刀架 upper blade rest		
D-6	加热刀托架 blade support		
D-7	加热刀固定块 fix block		
D-8	上切刀 upper blade		
D-9	加热管 heater tube		
D-10	垫圈 washer		
D-11	螺钉 M5X15 screw		
D-12	下刀架 lower blade rest		
D-13	下刀垫块 lower blade base		
D-14	下切刀 lower blade		
D-15	螺钉 M5X15 screw		
D-16	落料板 ribbon plate		
D-17	导轨压板 rail clip		
D-18	压力弹簧 spring		
D-19	阶梯螺钉 screw		
D-20	压套 screw pressing sleeve		

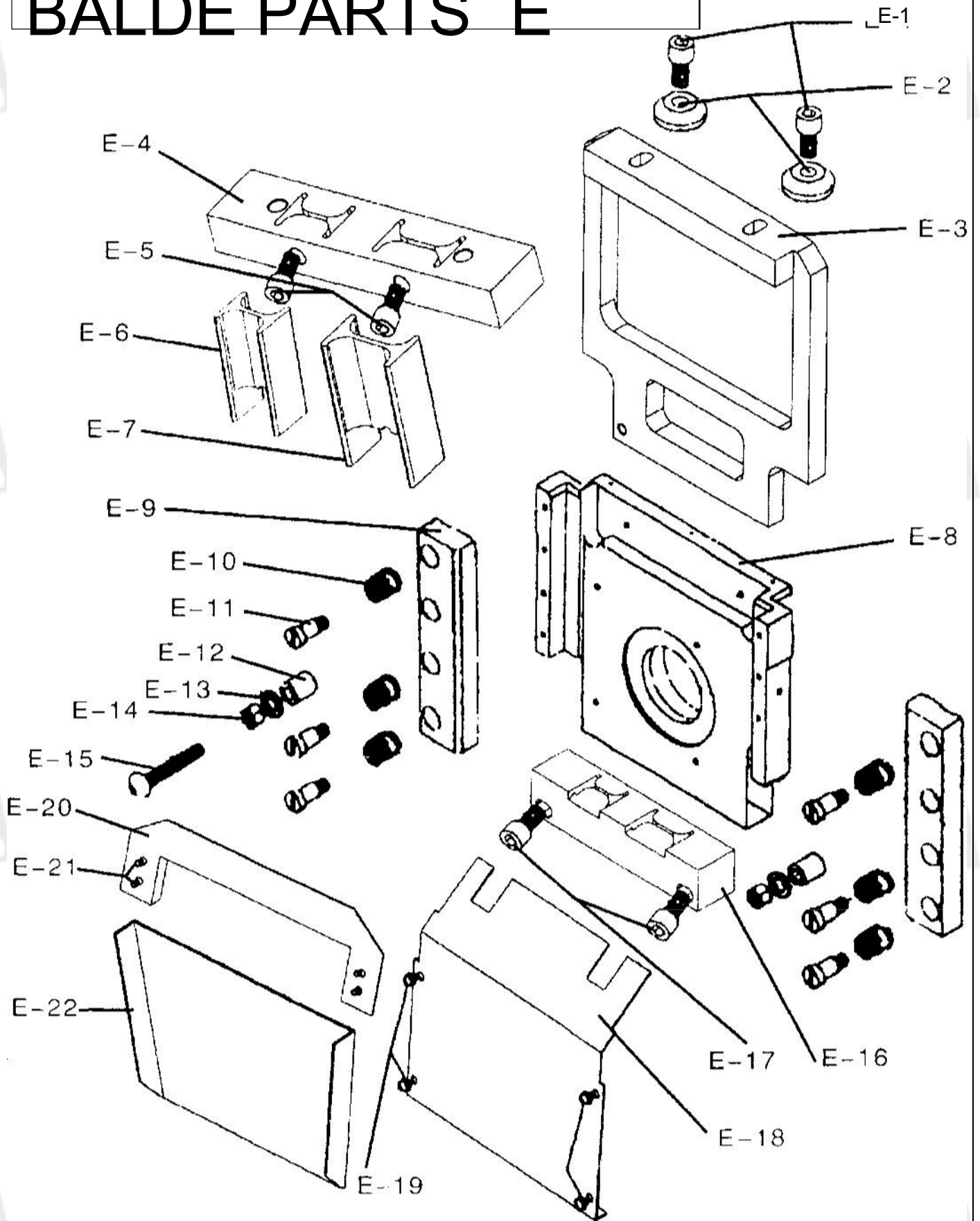
HOT AND COLD blade PARTS

D



图号	名称	图号	名称
E-1	螺钉 M6x30 Screw	E-21	螺钉 M3X5 Screw
E-2	垫圈 washer	E-22	落料板 ribbon plate
E-3	上刀架 upper blade rest		
E-4	上刀模安装座 upper blade base		
E-5	螺钉 M6X12 Screw		
E-6	上刀模(1.5/1.0) upper blade		
E-7	上刀模(2.0/2.5) upper blade		
E-8	下刀架 lower blade rest		
E-9	导轨压板 rail clip		
E-10	压力弹簧 spring		
E-11	阶梯螺钉 screw		
E-12	压套 pressing sleeve		
E-13	垫圈 washer		
E-14	螺母 nut		
E-15	螺钉 M5x30 screw		
E-16	下刀模 lower blade set		
E-17	螺钉 M6X32 screw		
E-18	前挡板 front panel		
E-19	螺钉 M3x5 screw		
E-20	挡料板 upper plate		

BALDE PARTS E



Sun Special

Prazo de validade do produto: Indeterminado

País de Origem: China

SAC - SERVIÇO DE ATENDIMENTO AO CLIENTE

0800 660 6000

assistencia@sunspecial.net.br;

Importado e Distribuído por:



Qualidade e Tecnologia

CNPJ: 05.013.910/0001-22

Endereço: Rua da Graça, 577

Bom Retiro – São Paulo – SP

Fone: (11) 3334.8800

www.sunspecial.com.br