



Qualidade e Tecnologia

PEÇAS

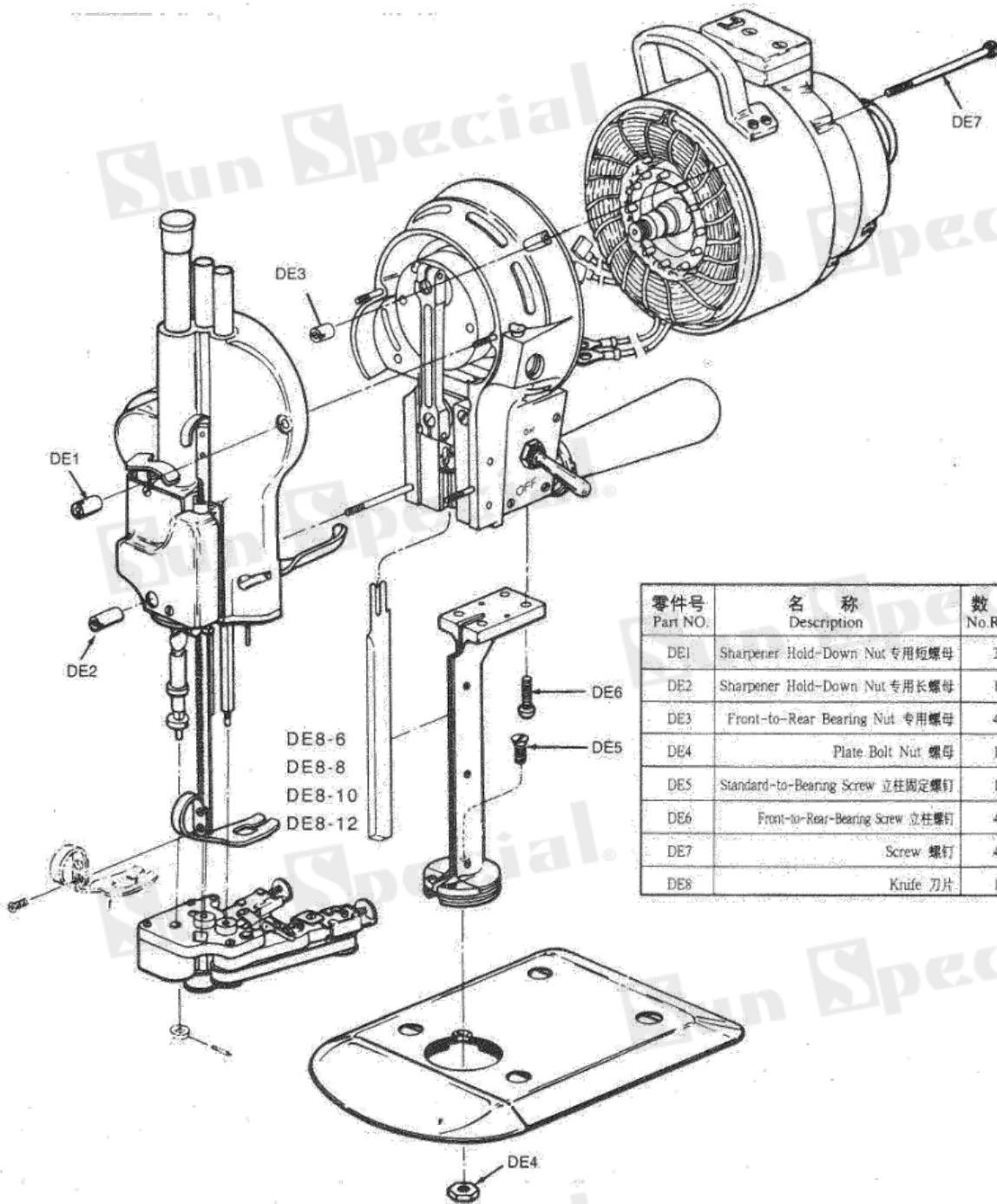


MAQ CORTE 8"/10"/12"

SSM-B-L 8"

SSM-B-L 10"

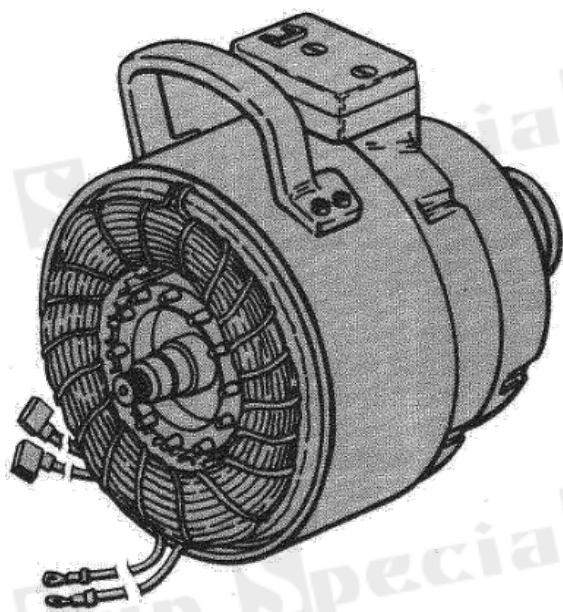
SSM-B-L 12"



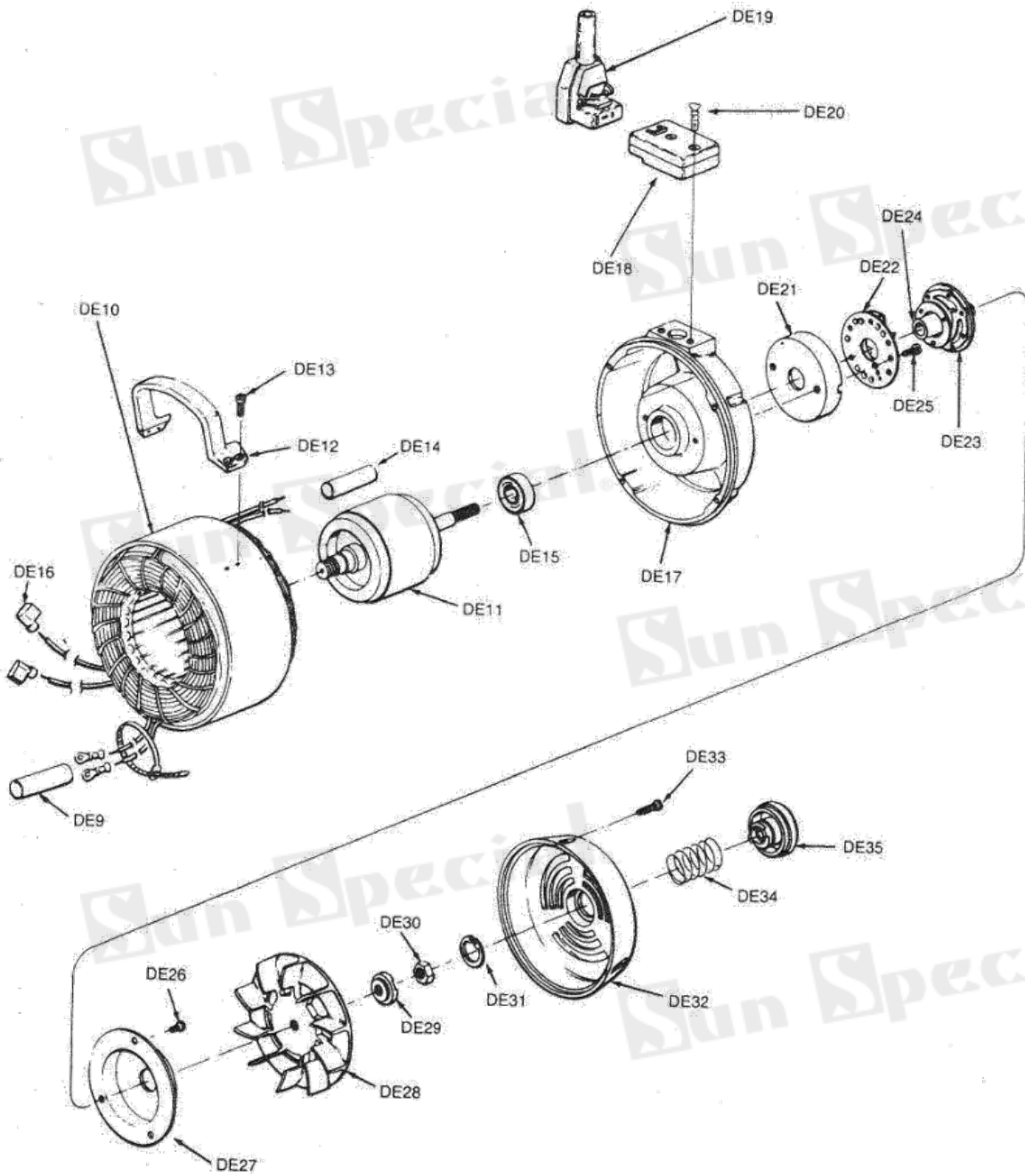
零件号 Part NO.	名称 Description	数量 No. Req'd
DE1	Sharpener Hold-Down Nut 专用短螺母	3
DE2	Sharpener Hold-Down Nut 专用长螺母	1
DE3	Front-to-Rear Bearing Nut 专用螺母	4
DE4	Plate Bolt Nut 螺母	1
DE5	Standard-to-Bearing Screw 立柱固定螺钉	1
DE6	Front-to-Rear-Bearing Screw 立柱螺钉	4
DE7	Screw 螺钉	4
DE8	Knife 刀片	1

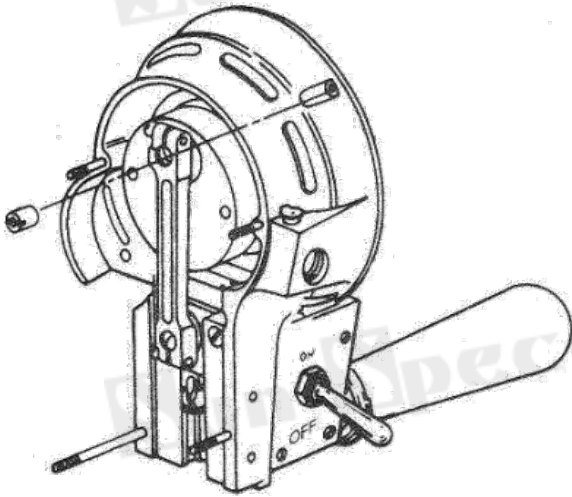
单相马达组

Single-Phase Motor Assemblies



零件号 Part NO.	名称 Description	数量 No. Req'd
DE9	Terminal Wire Tubing 绝缘器	1
DE10	Stator with Band 电机定子组件	1
DE11	Rotor and shaft 电机转子组件	1
DE12	Carrying Handle 提手柄	1
DE13	Screw 提手柄螺钉	4
DE14	Terminal wire Tubing 引线管	1
DE15	Rear Ball Bearing 单列向心球轴承	2
DE16	Terminal 线耳	2
DE17	Rear Bearing House 后机匣	1
DE18	Terminal Block 插头组件	1
DE19	Attachment Plug 电源插头组件	1
DE20	Screw 插头组件螺钉	2
DE21	Cutout switch Mount 离心开关罩	1
DE22	Automatic Cutout 离心开关切断器	1
DE23	Automatic Cutout Switch 离心开关组件	1
DE24	Shaft Cover For Cutout 离心开关轴套	1
DE25	Screw 离心开关罩螺钉	2
DE26	Screw 离心开关盖螺钉	2
DE27	Cover for Cutout 离心开关盖	1
DE28	Rotor Fan 风轮	1
DE29	Leading spring Washer 止动垫圈	1
DE30	Clutch Nut 电机转子螺母	1
DE31	Retaining Ring 轴用弹性挡圈	1
DE32	Fan Cover 风轮盖	1
DE33	Screw 风轮盖螺钉	2
DE34	Clutch Spring 弹簧	1
DE35	Turning Knob 旋钮	1



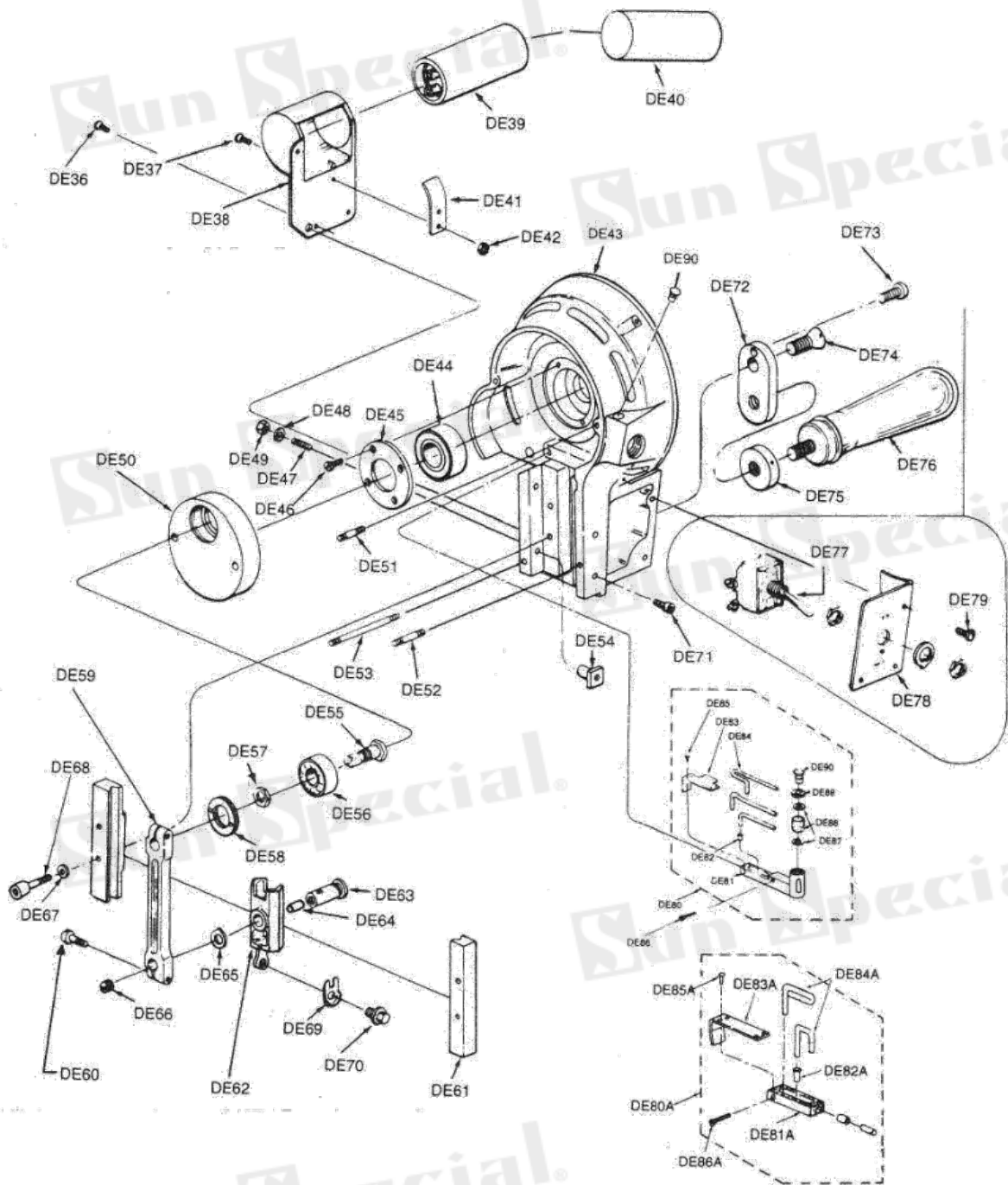


前轴承套组

Front Bearing Housing Assembly

零件号 Part NO	名称 Description	数量 No. Req'd
DE36	Screw 电容器罩螺钉	6
DE37	Screw 电容压板螺钉	1
DE38	Capacitor Cover 电容器罩	1
DE39	Capacitor 启动电容	1
DE40	Cover for Capacitor 电容器外套	1
DE41	Spring for Capacitor 电容压板	1
DE42	Shaft Lock Nut 六角螺母	1

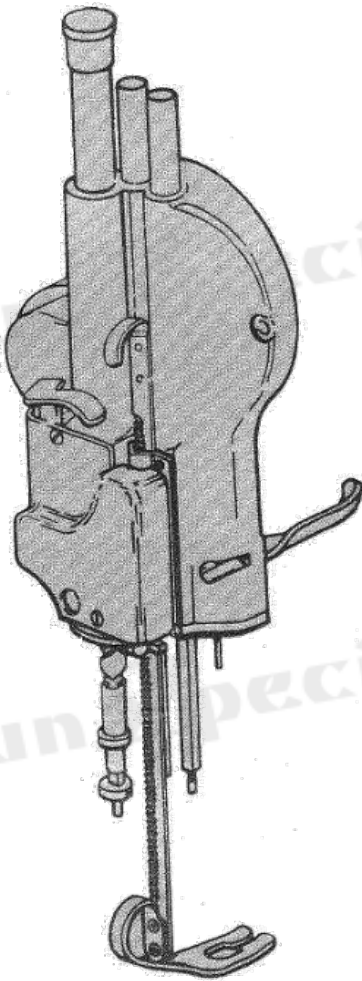
零件号 Part NO	名称 Description	数量 No. Req'd
DE43	Front Bearing Housing 前机匣	1
DE44	Bearing 单列向心球轴承	1
DE45	Front Ball Bearing Retainer 前机匣轴承挡圈	1
DE46	Screw 轴承挡圈螺钉	4
DE47	Screw 内六角平端紧定螺钉	3
DE48	Washer 垫圈	9
DE49	Nut 螺母	3
DE50	Crank 偏心轮	1
DE51	Stud, upper 双头螺栓	2
DE52	Stud, Lower Mounting 双头螺栓	1
DE53	Stud, Lower Mounting 双头螺栓	1
DE54	Guide Adjustment Nut 支撑螺母	3
DE55	Shaft for Ball Bearing 传动轴	1
DE56	Seated Crank Ball Bearing 单列向心球轴承	1
DE57	Lock Nut for Shaft 传动轴螺母	1
DE58	Crank Ball Bearing Lock Nut 轴承挡圈	1
DE59	Connecting Rod 连杆	1
DE60	Screw 连杆螺钉	2
DE61	H.Guide 导轨	1
DE62	Cross Head 中心滑块	1
DE63	Wrist Pin 从动销	1
DE64	Wrist Pin Felt Pad 油绳	1
DE65	Connecting Rod Washer 垫片	1
DE66	Screw 半端紧定螺钉	1
DE67	Guide Washer 垫片	1
DE68	Screw 圆柱头内六角螺钉	6
DE69	Knife Lock Washer 固定刀垫片	1
DE70	Screw 方头螺钉	1
DE71	Screw 圆柱头内六角螺钉	2
DE72	Handle Bracket 力板	1
DE73	Screw 内六角螺钉	1
DE74	Screw for Handle Bracket 力板螺钉	1
DE75	Operating Handle Lock Nut 木手柄锁紧螺母	1
DE76	Operating Handle 木手柄	1
DE77	Switch 电机开关	1
DE78	Switch Base 开关盖	1
DE79	Screw 开关螺钉	3
DE80	Oiling device 油杯组件	1
DE81	Oil Tube 油杯管	1
DE82	Eyelet 空心铆钉	1
DE83	Cover for Oil Tube 油杯罩盖板	1
DE84	Long Wicking 油绳	3
DE85	Screw 油杯罩盖板螺钉	4
DE86	Screw 油杯罩螺钉	2
DE87	Circle 密封圈	2
DE88	Windows for oil 油窗	1
DE89	Oil tube cover 油杯罩盖	1
DE90	Oil Hole Cover 油杯	1



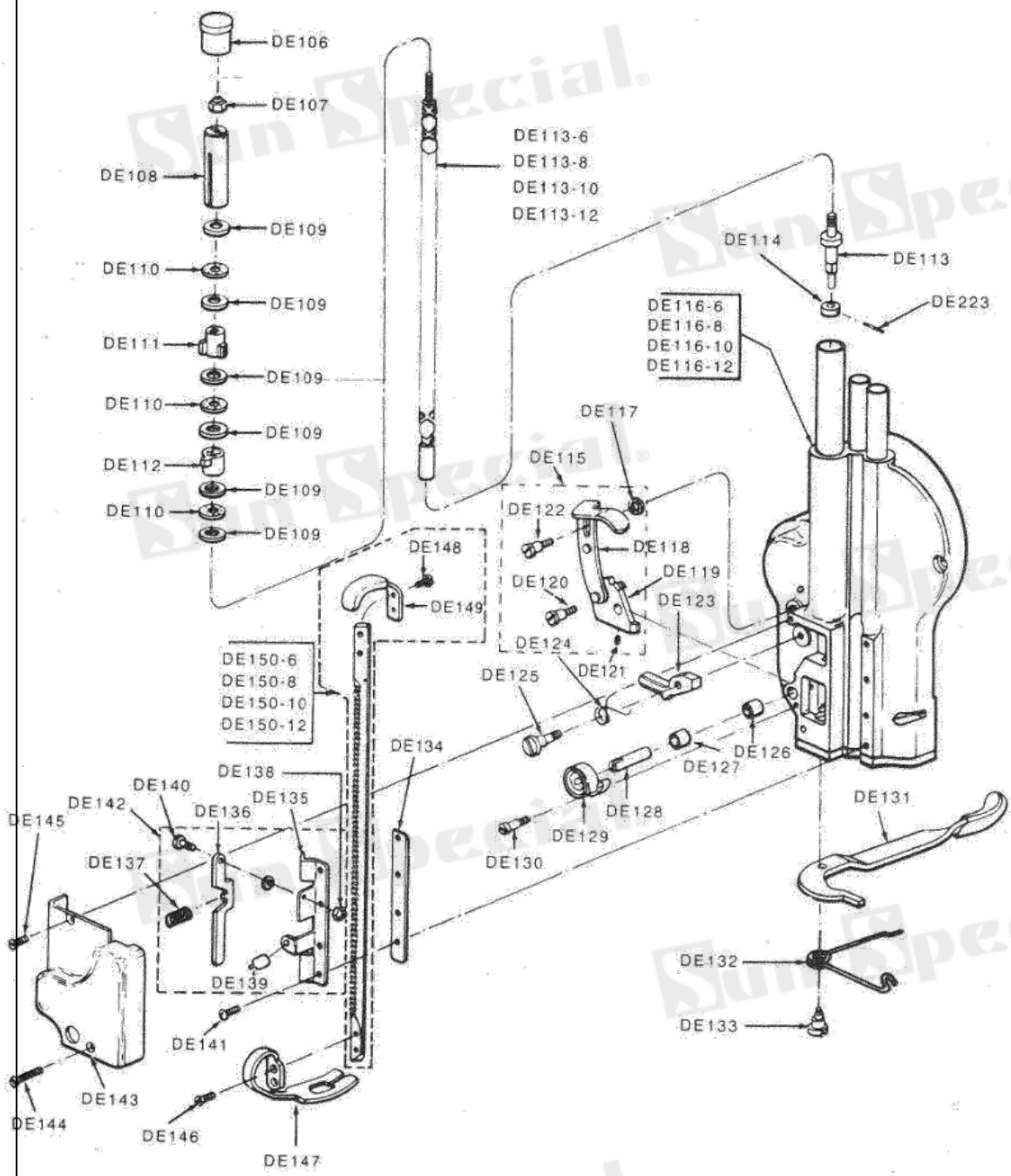
磨刀器组

前面FRONT

Front Sharpener Housing Assembly



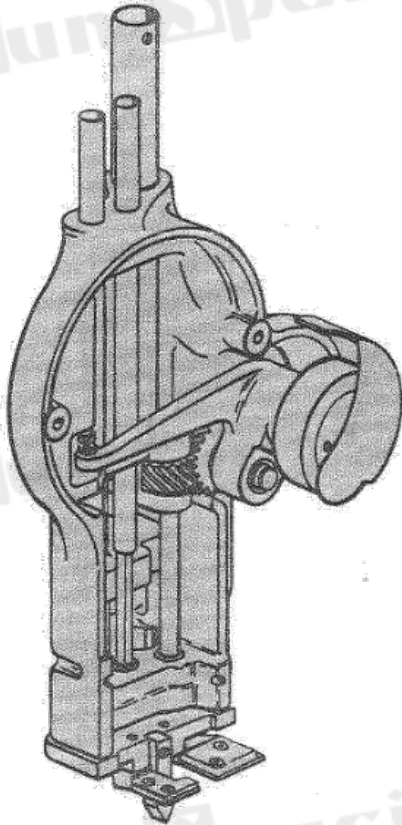
零件号 Part NO.	名称 Description	数量 No. Req'd
DE106	Cap of Tube 塑料盖	1
DE107	Stop Nut for Screw Shaft 锁紧螺母	1
DE108	Nut for Screw Shaft 丝杆上螺母	1
DE109	Thrust washer for Nuts 轴承片	3
DE110	Thrust Ball Bearing 轴承组件	3
DE111	L.H.Nut for screw Shaft 左向螺母	1
DE112	R.H.Nut for screw Shaft 右向螺母	1
DE113	Screw Shaft 双向丝杆	1
DE114	Collar for Extension 双向丝杆挡圈	1
DE115	Release Lever with Cam 磨刀手柄组件	1
DE116	Sharpener Housing (With Bushes and Tubes) 磨刀机匣组件	1
DE117	Spring washer for Release Lever 弹片挡圈	1
DE118	Release Lever With Cam 磨刀手柄	1
DE119	Cam 偏心块	1
DE120	Screw 磨刀手柄侧钉	1
DE121	Set Screw for Cam 圆柱端紧定螺母	1
DE122	Screw for Release Lever 磨刀手柄活动螺钉	1
DE123	Latch for Cam 拨叉	1
DE124	Spring for Latch 拨叉弹簧	1
DE125	Screw for Latch 拨叉定位螺钉	1
DE126	Bearing for Cam Shaft 发条销下轴衬	1
DE127	Bearing for Cam Shaft 发条销上轴衬	1
DE128	Shaft for Cam 发条销	1
DE129	Cam Spring 锁紧发条	1
DE130	Cam Shaft Spring Screw 发条销限位螺钉	1
DE131	Pressure Foot Lever 压脚放松手柄	1
DE132	Spring for Pressure Foot Lever 放松手柄弹簧	1
DE133	Pressure Foot Lever Screw 放松手柄螺钉	1
DE134	Spacer for Knife Guard Lock Bracket 扩齿托架垫片	1
DE135	Knife Guard Lock Bracket Complete 压脚托架	1
DE136	Lock for Pressure Foot 压脚定位板	1
DE137	Spring for Knife Guard Lock 护齿弹簧	1
DE138	Nut for Pressure Foot Lock 锁紧螺母	1
DE139	Knife Guard Lock Bracket Only 支持杆子	1
DE140	Screw for Knife Guard Lock 护齿螺钉	1
DE141	Screw 压脚托架螺钉	4
DE142	Pressure Foot Lock Bracket Complete 压脚托架组件	1
DE143	Cover Over Cam 前罩	1
DE144	Screw 前罩下螺钉	1
DE145	Screw 前罩上螺钉	1
DE146	Screw for Pressure Foot Shoe 压脚螺钉	2
DE147	Pressure Foot shoe 压脚	1
DE148	Screw 压脚杆提手柄螺钉	2
DE149	Lift Handle for Knife Guard Rod 压脚杆提手柄	1
DE150	Knife Guard Rod 压脚杆	1



磨刀器组

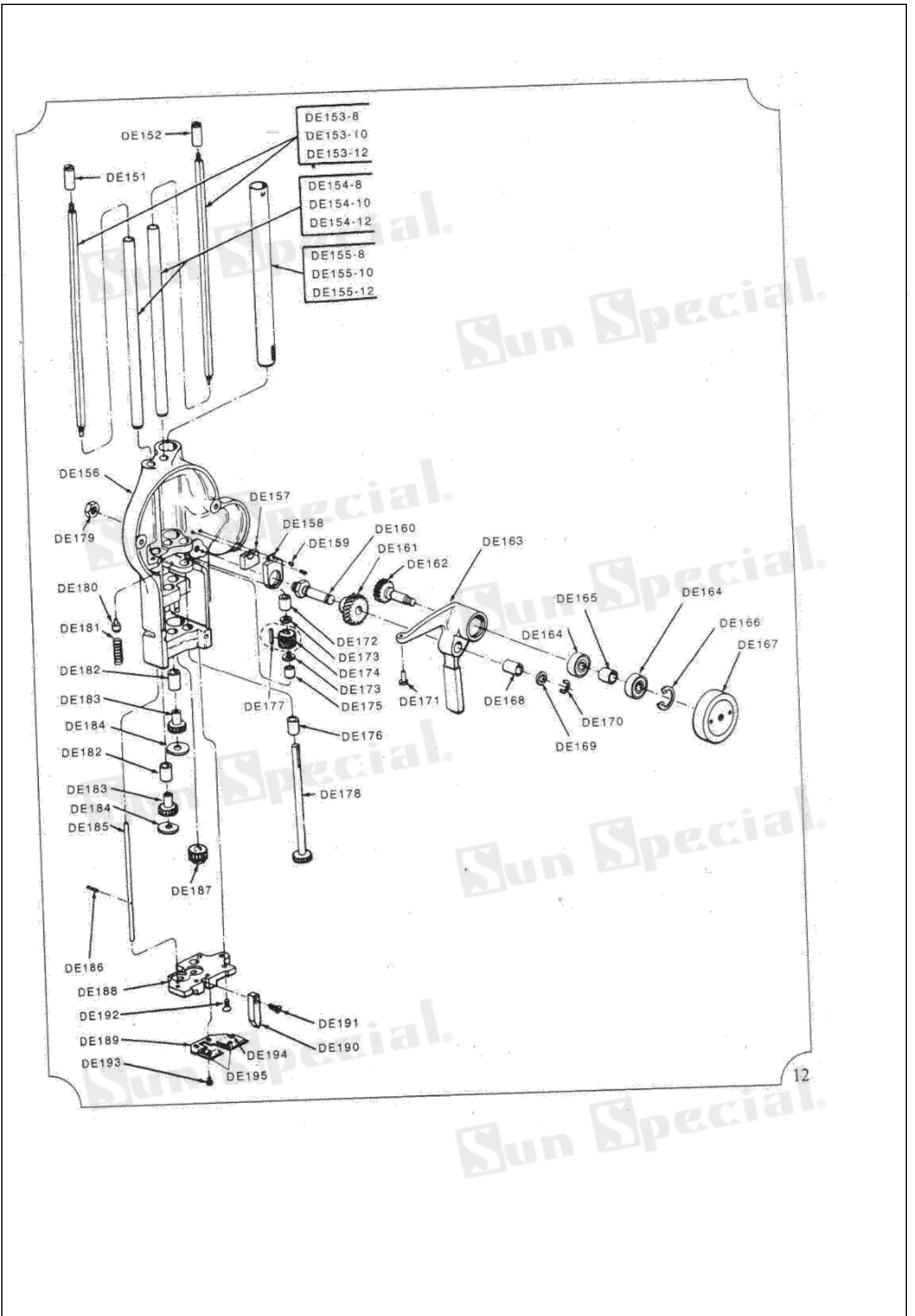
背面 BACK

Front Sharpener Housing Assembly



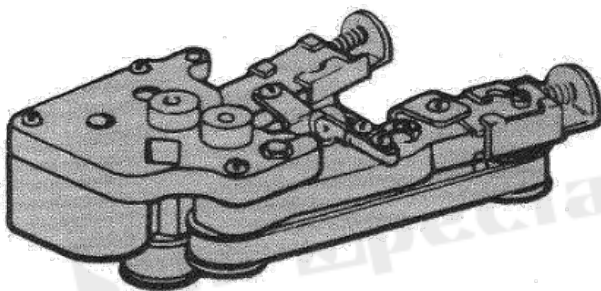
零件号 Part NO.	名称 Description	数量 No. Req'd
DE151	R.H.Follower Nut 随动螺母	1
DE152	L.H.Follower Nut 随动左螺母	1
DE153	Square Shaft 方导杆	2
DE154	Tube for Square Shaft 方导杆管套	2
DE155	Tube for Screw Shaft 丝杆管套	1
DE156	Sharpener Housing 磨刀机匣	1
DE157	Felt Pad for Oil Retainer-Idler Gear 从动斜齿轮油盖毛毡	1
DE158	Oil Retainer-Idler Gear 从动斜齿轮油盖	1
DE159	Screw 斜齿轮油盖螺钉	2

零件号 Part NO.	名称 Description	数量 No. Req'd
DE160	Shaft for Grank 斜齿轮芯轴	1
DE161	Idler Gear 斜齿轮	1
DE162	Gear and Shaft 斜齿轮轴	1
DE163	Bell Crank 斜齿轮传动机匣	1
DE164	Ball Bearing for Grank 单列向心球轴承	2
DE165	Spacer for Bell Bearings 斜齿轮轴衬圈	1
DE166	Retaining Ring for Bell Crank 孔用弹性挡圈	1
DE167	Drive Pulley with Driver 摩擦轮组件	1
DE168	Bearing for Bell Crank 斜齿轮芯轴衬套	1
DE169	Washer for Shaft 垫片	1
DE170	Retaining Ring for Shaft 轴用弹性挡圈	1
DE171	Pin for Bell Crank 顶针	1
DE172	Bearing for Drive Shaft 斜轮传动杆上轴衬	1
DE173	Thrust washer 15 牙斜齿轮垫圈	2
DE174	Spiral Gear 15 牙斜齿轮	1
DE175	Bearing for Drive Shaft 齿轮传动杆中轴衬	1
DE176	Bearing for Drive Shaft 齿轮传动杆下轴衬	1
DE177	Key 键	1
DE178	Driver shaft with Gear 齿轮传动杆	1
DE179	Lock Nut for Shaft 六角扁螺母	1
DE180	Pin for Sharpener Housing 推杆档柱	1
DE181	Spring for Bell Crank 支撑弹簧	1
DE182	Bearing for Gears 20 牙齿轴衬	2
DE183	Spur Gear 20 牙齿轮	2
DE184	Thrust Washer for Bottom Plate 底板垫圈	2
DE185	Push Rod 推杆	1
DE186	Roll for Push Rod 推杆定位销	1
DE187	Bearing for Screw Shaft 丝杆轴套	1
DE188	Bottom Plate 磨刀机匣底板	1
DE189	Oil Pad and Holder 油垫座	1
DE190	Spreader Pin 分隔块	1
DE191	Screw 分隔块螺钉	1
DE192	Screw 磨刀机匣底板螺钉	3
DE193	Screw 油垫座螺钉	2
DE194	Rivet 空心铜铆钉	4
DE195	H.Oil Pad 油垫座左右垫毡	1

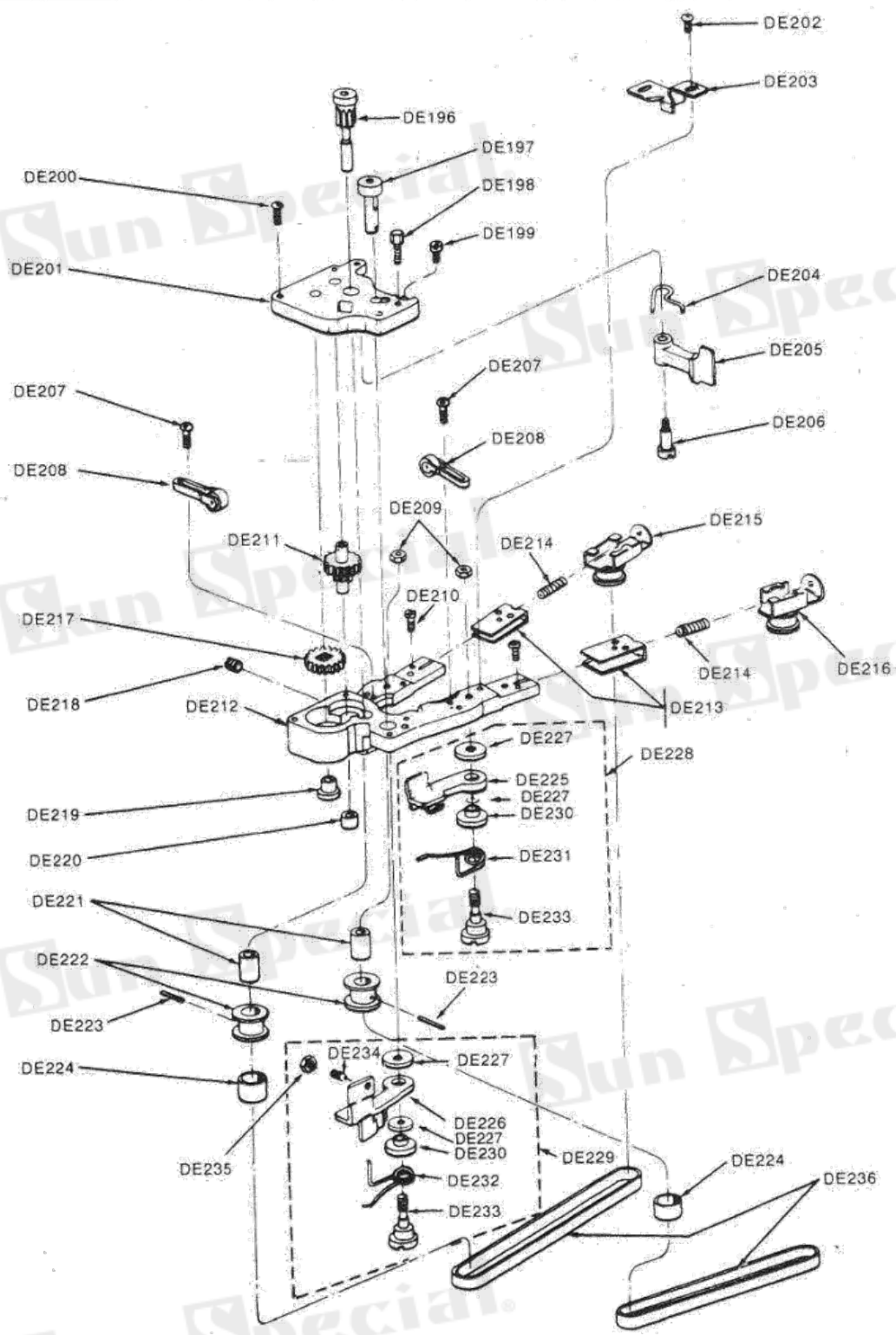


下齿轮托架组

Lower Gear Bracket Assembly



零件号 Part NO.	名称 Description	数量 No. Req'd
DE196	L.H. Shaft Extension 8 牙齿轮轴	1
DE197	R.H. Shaft Extension 滑轮轴	1
DE198	Adjusting Screw 磨刀架盖板螺钉	1
DE199	Screw 半圆头螺钉	1
DE200	Screw 半圆头螺钉	3
DE201	Gear Cover 磨刀架盖板	1
DE202	Screw 挡片螺钉	2
DE203	Guide Back of Standard 挡片	1
DE204	Spring for Arm 夹紧臂弹簧	1
DE205	Clamping Arm for Shoe 夹紧臂	1
DE206	Screw for Clamping Arm 夹紧臂螺钉	1
DE207	Screw 固定滚轮螺钉	4
DE208	Stabilizer 固定滚轮组件	2
DE209	Nut for Sharpener Shoe Screw 六角螺母	2
DE210	Screw, #4-36 x 3/16 Flat Head 圆柱头螺钉	2
DE211	Intermediate Gear 双联齿轮	1
DE212	Lower Gear Bracket with Cover 磨刀架	1
DE213	Wear Plate 耐磨板	2
DE214	Spring for Pulleyslide 滑动小轮弹簧	2
DE215	R.H. Slide with Pulley 左滑动小轮组件	1
DE216	Slide with Pulley 右滑动小轮组件	1
DE217	Gear on Screw Shaft 24 牙齿轮	1
DE218	Grease Plug 平端固定螺钉	1
DE219	Bearing for Screw Shaft 双向丝杆衬套	1
DE220	Bearing for Intermediate Gear 双联齿轮衬套	1
DE221	Bearing for shaft Extension 传动小轮衬套	2
DE222	Front Pulley for Belt 传动小轮	1
DE223	Roll Pin 弹性圆柱销	2
DE224	Neoprene Band for Pulley 传动小轮橡胶套	2
DE225	R.H. Pre-set Sharpener Shoe(Only) 右磨刀垫	1
DE226	L.H. Pre-set Sharpener Shoe(Only) 左磨刀垫	1
DE227	Washer 磨刀垫螺钉垫片	4
DE228	R.H. Pre-set Sharpener Shoe 右磨刀垫组件	1
DE229	L.H. Pre-set Sharpener Shoe 左磨刀垫组件	1
DE230	Bushing for sharpener Shoe 磨刀垫螺钉衬套	2
DE231	R.H. Sharpener Shoe Spring 右弹簧	1
DE232	L.H. Sharpener Shoe Spring 左弹簧	1
DE233	Screw for Sharpener shoe 磨刀垫螺钉	2
DE234	Shon Screw 内六角锥端固定螺钉	1
DE235	Jam Nut 小六角锁螺母	1
DE236	Belt 砂带	2



Prazo de validade do produto: Indeterminado

País de Origem: China

SAC - SERVIÇO DE ATENDIMENTO AO CLIENTE

0800 660 6000

assistencia@sunspecial.net.br;

Importado e Distribuído por:



Qualidade e Tecnologia

CNPJ: 05.013.910/0001-22

Endereço: Rua da Graça, 577

Bom Retiro – São Paulo – SP

Fone: (11) 3334.8800

www.sunspecial.com.br