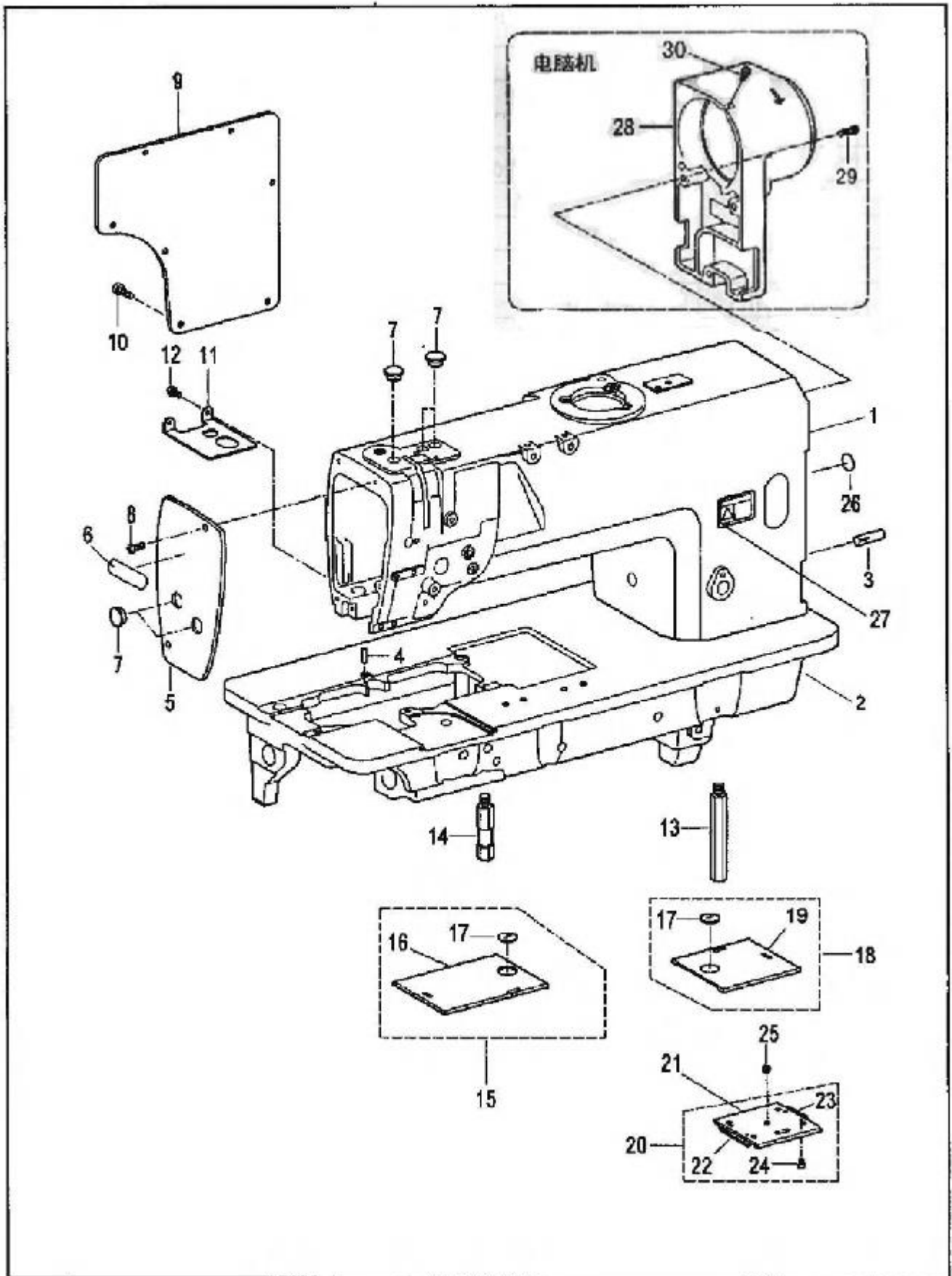


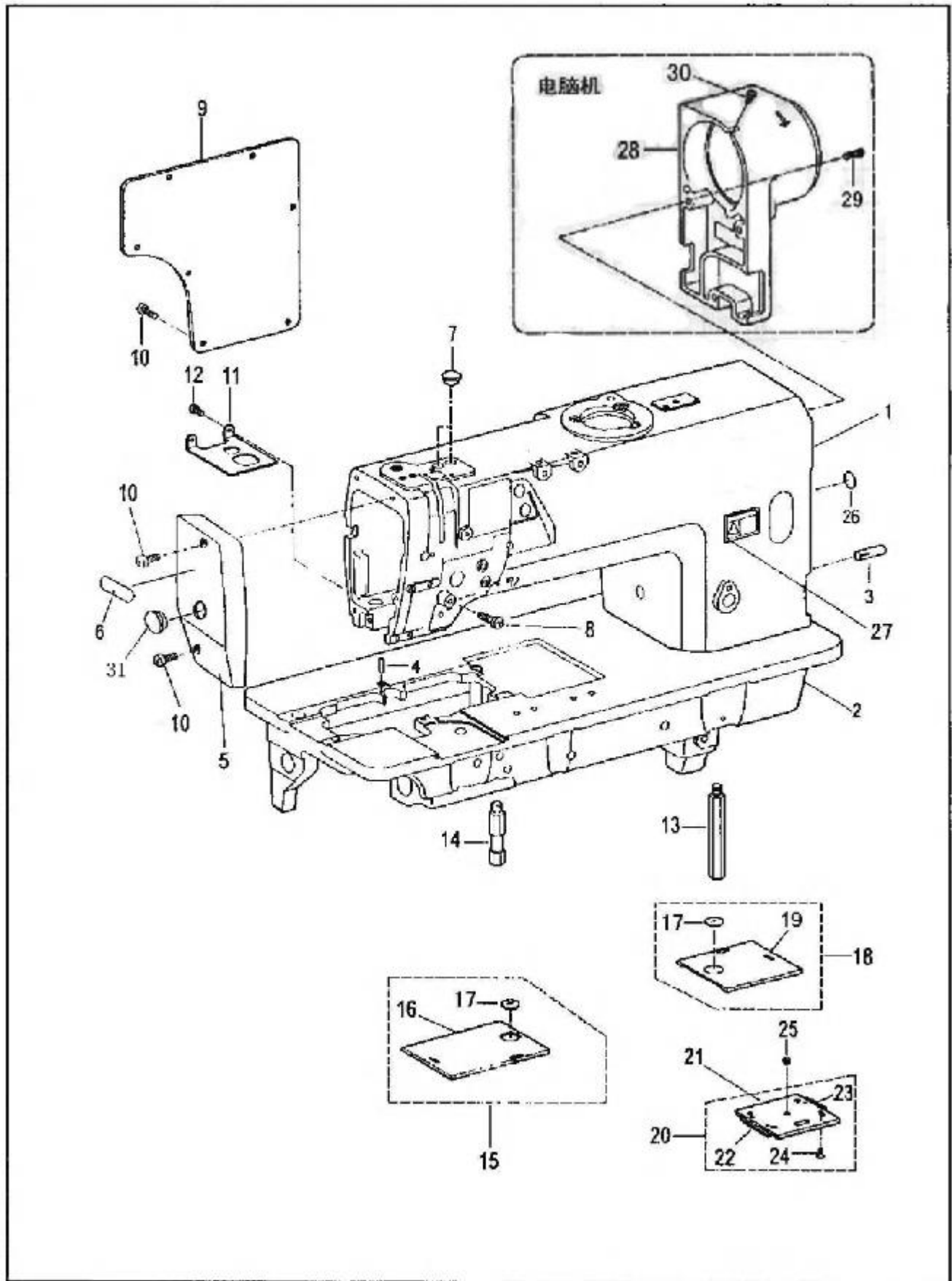
1-1 机壳部件/Machine body



平缝系列>8420>1-1 机壳部件/Machine body

序号 Ref. No	ERP编号 Part No	零件名称	NAME OF PARTS	数量 AMT		
				8420	8420	8720
				N-D3/ EZN-D3	N-D3/ EZN-D3	N-D3/ EZN-D3
				-3	-5	
1-1-1	033102002	机头	ARM	1	1	1
1-1-2	034203008	底板	BED	1	1	1
1-1-3	PF8420M-D3010103	带槽销	DOWEL PIN	2	2	2
1-1-4	PF68425A02	定位销	POSITIONING PIN	1	1	1
1-1-5	PF8420M-D301010501L	面板	FACE PLATE	1	1	1
1-1-6	BZ3138	面板商标牌 (一体机)	PLATE	1	1	1
	BZ3137	面板商标牌 (分体机)	PLATE	1	1	1
	PF8420M-D3010106	面板商标牌 (分体机)	PLATE			
1-1-7	PF8420M-D3010107	橡皮塞	RUBBER CAP, 15.5	5	5	5
1-1-8	PF8420M-D3010110	螺钉M5×8	SCREW	2	2	2
1-1-9	PF8420M-D301010901L	后盖板	REAR COVER	1	1	1
1-1-10	PF8420M-D3010110	螺钉M5×12	SCREW	7	7	7
1-1-11	PF8420M-D3010111	防尘板	DUST PROTECTOR	1	1	1
1-1-12	PF8420M-D3010112	螺钉M5×6	SCREW	2	2	2
1-1-13	PF8420M-D3010113	长脚柱	BED LEG, L	1	1	1
1-1-14	PF8420M-D3010114	短脚柱	BED LEG, S	1	1	1
1-1-15	PF8420M-D3010115	左推板组件	SLIDE PLATE, LA ASSY	1	1	1
1-1-16		左推板	SLIDE PLATE, LA	1	1	1
1-1-17		推板窗	BOBBIN WINDOW	1	1	1
1-1-18	PF8420M-D3010118	右推板组件	SLIDE PLATE ASSY, R	1	1	1
1-1-19		右推板	SLIDE PLATE, R	1	1	1
1-1-20	PF8420M-D3010120	前推板组件	SLIDE PLATE F ASSY	1	1	1
1-1-21		前推板	SLIDE PLATE, F	1	1	1
1-1-22		前推板定位块 (左)	FRONT PUSH PLATE POSITIONING BLOCK (LEFT)	1	1	1
1-1-23		前推板定位块 (右)	FRONT PUSH PLATE POSITIONING BLOCK (RIGHT)	1	1	1
1-1-24		螺钉3. 18-40X4	SCREW	4	4	4
1-1-25	PF68425A16	螺钉5. 16-40X4	SCREW	1	1	1
1-1-26	BZ3122	接地标记	LABEL GROUNDING	1	1	1
1-1-27	BZ3141	CE标记	LABEL CE	1	1	1
1-1-28	PF8420M-D3010128	马达罩	MOTOR COVER	1	1	1
	PF8420M-D301012802	马达罩(新)	MOTOR COVER	1	1	1
1-1-29	PF9990423	螺钉M5X14	SCREW PAN M5X14	3	3	3
1-1-30	PF8420M-D31415	螺钉M5X10	SCREW PAN M5X10	1	1	1

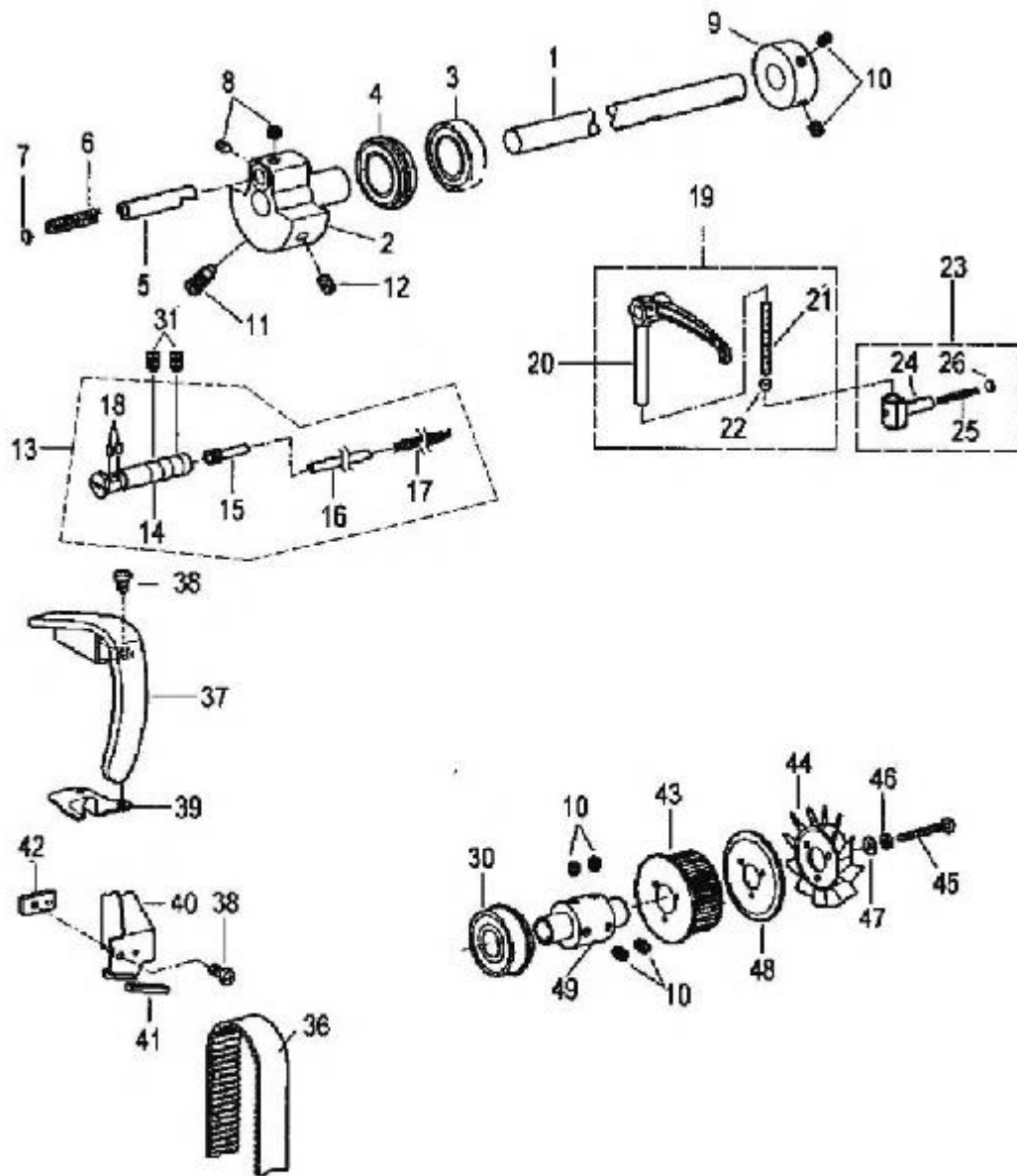
1-2 机壳部件 / Machine body



平缝系列>8450>1-2 机壳部件/Machine body

序号 Ref. No	ERP编号 Part No	零件名称	NAME OF PARTS	数量 AMT		
				8450	8450	8750
				N-D3/ EZN-D3	N-D3/ EZN-D3	N-D3/ EZN-D3
				3	5	
1-2-1	033101005	机头	ARM	1	1	1
1-2-2	034203008	底板	BED	1	1	1
1-2-3	PF8420M-D3010103	带槽销	DOWEL PIN	1	1	1
1-2-4	PF68425A02	定位销	POSITIONING PIN	1	1	1
1-2-5	PF8450M-D301020501L	面板	FACE PLATE	1	1	1
1-2-6	BZ3138	面板商标牌(一体机)	PLATE	1	1	1
	BZ3137	面板商标牌(分体机)	PLATE	1	1	1
1-2-7	PF8420M-D3010107	橡皮塞 12.5	RUBBER CAP, 12.5	5	5	5
1-2-8	PF8420M-D3010108	螺钉M5×8	SCREW	2	2	2
1-2-9	PF8420M-D301010901L	后盖板	REAR COVER	1	1	1
1-2-10	PF8420M-D31415	螺钉M5×12	SCREW	7	7	7
1-2-11	PF8450M-D3010211	防尘板	DUST PROTECTOR	1	1	1
1-2-12	PF8420M-D3010112	螺钉M5×6	SCREW M5X6	2	2	2
1-2-13	PF8420M-D3010113	长脚柱	BED LEG, L	1	1	1
1-2-14	PF8420M-D3010114	短脚柱	BED LEG, S	1	1	1
1-2-15	PF8420M-D3010115	左推板组件	SLIDE PLATE, LA ASSY	1	1	1
1-2-16		左推板	SLIDE PLATE, LA	1	1	1
1-2-17		推板窗	BOBBIN WINDOW	1	1	1
1-2-18	PF8420M-D3010118	右推板组件	SLIDE PLATE ASSY, R	1	1	1
1-2-19		右推板	SLIDE PLATE, R	1	1	1
1-2-20	PF8420M-D3010120	前推板组件	SLIDE PLATE F ASSY	1	1	1
1-2-21		前推板	SLIDE PLATE, F	1	1	1
1-2-22		前推板定位块(左)	FRONT PUSH PLATE POSITIONING BLOCK (LEFT)	1	1	1
1-2-23		前推板定位块(右)	FRONT PUSH PLATE POSITIONING BLOCK (RIGHT)	1	1	1
1-2-24		螺钉3.18-40X4	SCREW 3.18-40X4	4	4	4
1-2-25	PF68425A16	螺钉5.16-40X4	SCREW 5.16-40X4	1	1	1
1-2-26	BZ3122	接地标记	LABEL GROUNDING	1	1	1
1-2-27	BZ3141	CE标记	LABEL CE	1	1	1
1-2-28	PF8420M-D301012802	马达罩(新)	MOTOR COVER	1	1	1
	PF8420M-D3010128	马达罩	MOTOR COVER	1	1	1
1-2-29	PF9990423	螺钉M5X14	SCREW PAN M5X14	3	3	3
1-2-30	PF8420M-D31415	螺钉M5X10	SCREW PAN M5X10	1	1	1

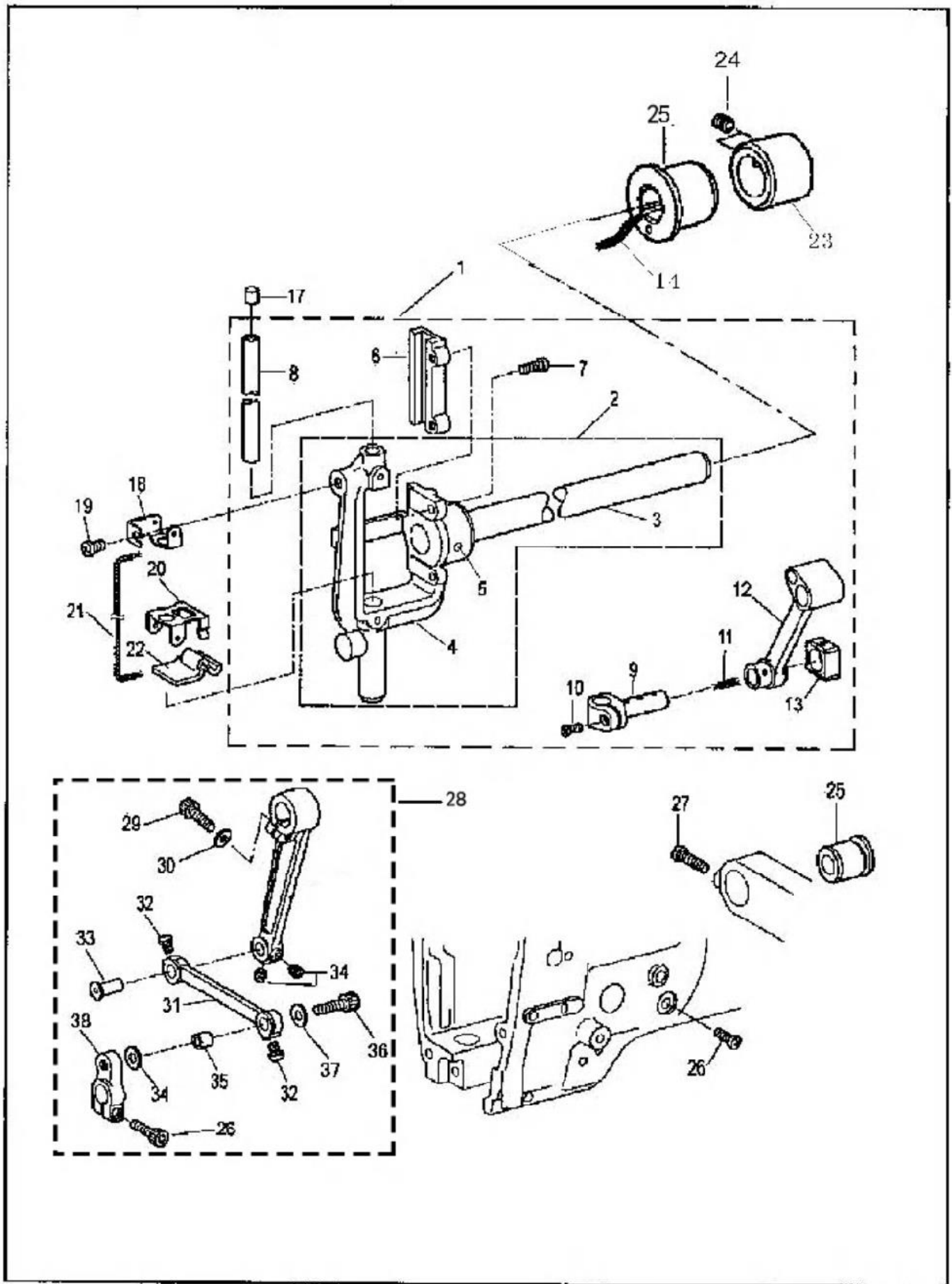
2 上轴部件/UPPER SHAFT MECHANISM



平缝系列>8420>2 上轴部件/UPPER SHAFT MECHANISM

序号 Ref. No	ERP编号 Part No	零件名称	NAME OF PARTS	数量 AMT					
				8420	8420	8450	8450	8720	8750
				N-D3/ EZN-D3	N-D3/ EZN-D3	N-D3/ EZN-D3	N-D3/ EZN-D3	N-D3/ EZN-D3	N-D3/ EZN-D3
				-3	-5	-3	-5		
2-1	PF8420M-D30201	上轴	UPPER SHAFT, DO	1	1	1	1	1	1
2-2	PF8420M-D30202	针杆曲柄	THREAD TAKE-UP CRANK	1	1			1	
	PF8450M-D30202	针杆曲柄(角缝)	THREAD TAKE-UP CRANK			1	1		1
2-3	PF999020104	球轴承6004ZZ	BALL BEARING, 6004ZZ	1	1	1	1	1	1
2-4	PF20520923	球轴承6004ZZNR	BALL BEARING, 6004ZZNR	1	1	1	1	1	1
2-5	PF8450M-D30205	针杆曲柄轴(角缝)	CRANK SHAFT	1	1	1	1	1	1
2-6	PF5550833	油线6×6 L=60	WICK6×6, L=60	1	1	1	1	1	1
2-7		油线盖	PUSHER	1	1	1	1	1	1
2-8	PF8420M-D30208	固定螺钉M6×5	SCREW	2	2	2	2	2	2
2-9	PF8420M-D30209	绕线轮	EOBBIN WINDER DRIVING WHEEL	1	1	1	1	1	1
2-10	PF8420M-D30210	绕线轮螺钉M6×6×0.75	SCREW	2	2	2	2	2	2
2-11	PF8420M-D30211	螺钉M8	SCREW	1	1	1	1	1	1
2-12	PF8420M-D30212	螺钉M6×10	SCREW	1	1	1	1	1	1
2-13	PF8420M-D30213	挑线杆轴组件	THREAD TAKE-UP S-SHAFT UNIT	1	1	1	1	1	1
2-14	PF8420M-D30214	挑线杆轴	THREAD TAKE-UP S-SHAFT	1	1	1	1	1	1
2-15	PF8420M-D30215	挑线杆轴接头	Take up pole shaft joint	1	1	1	1	1	1
2-16	SCJ5010	油管φ5×φ3×90	OIL TUBE	1	1	1	1	1	1
2-17	PF68425K61	油线	WICK	1	1	1	1	1	1
2-18	PF5550833	油线	WICK	1	1	1	1	1	1
2-19	PF68423B21	挑线杆组件S3-L	THREAD TAKE-UP LEVER ASSYS3-L	1		1			
	PF68425B21	挑线杆组件S5-L	THREAD TAKE-UP LEVER ASSYS5-L		1		1		
	PF68725B21	挑线杆组件S7-L	THREAD TAKE-UP LEVER ASSYS7-L					1	1
2-20		挑线杆	THREAD TAKE-UP LEVER	1	1	1	1	1	1
2-21	PF5550833	油线	WICK	1	1	1	1	1	1
2-22	PF68425K32	油塞	PUSHER	1	1	1	1	1	1
2-23		针杆接头滑块组件	T-TAKE-UP SLIDE BLOCK ASSY	1	1	1	1	1	1
2-24	PF68425B2401	针杆接头滑块	T-TAKE-UP SLIDE BLOCK	1	1	1	1	1	1
	PF68455D2401	针杆接头滑块(角缝)	T-TAKE-UP SLIDE BLOCK						
2-25	PF5550833	油线	WICK	1	1	1	1	1	1
2-26	PF68425K32	油塞	PUSHER	1	1	1	1	1	1
2-36	PF8420M-D30236	同步带	TIMING BELT	1	1	1	1	1	1
2-37	PF8420M-D30237L	挑线杆防护罩	THREAD TAKE-UP LEVER COVER	1	1	1	1	1	1
2-38	PF8420M-D3010108	螺钉M5×8	SCREW	1	1	1	1	1	1
2-39	PF8420M-D30239	防尘盖	DUST COVER	1	1	1	1	1	1
2-40	PF8420M-D30240	遮掩板	SHELTER PLATE	1	1	1	1	1	1
2-41	PF8420M-D30241	油毡	FELT	1	1	1	1	1	1
2-42	PF8420M-D30242	遮掩板支座	HOLDER, SHELTER PLATE	1	1	1	1	1	1
2-43	PF8420M-D30243	上同步轮	TIMINGPULLEY, U DD	1	1	1	1	1	1
2-44	PF8420M-D30244	叶轮	FAN	1	1	1	1	1	1
2-45	PF8420M-D30245	螺钉M4X35	SCREW, PAN M4X35	3	3	3	3	3	3
2-46	SCJ3001	弹簧垫圈2-4	WASHER, SPRING2-4	3	3	3	3	3	3
2-47	SCJ3010	平垫圈 M4	WASHER, PLAN M4	3	3	3	3	3	3
2-48	PF8420M-D30248	同步轮挡圈	PULLEY U FLANGE	1	1	1	1	1	1
2-49	PF9990263	联轴器	Motor coupling	1	1	1	1	1	1

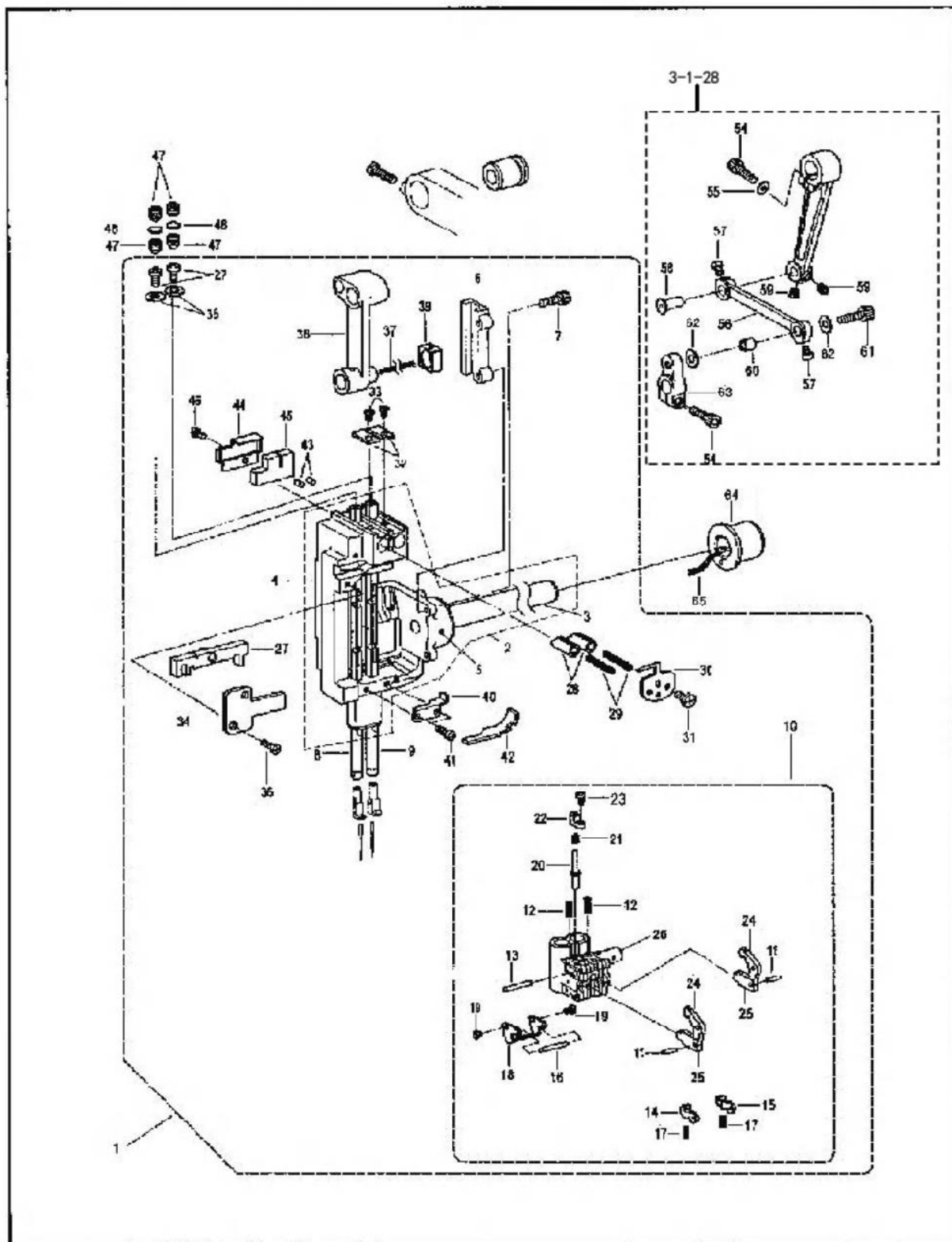
3-1 针杆摆动部件/NEEDLE BAR ROCKING MECHANISM



平缝系列>8420>3-1 针杆摆动部件/NEEDLE BAR ROCKING MECHANISM

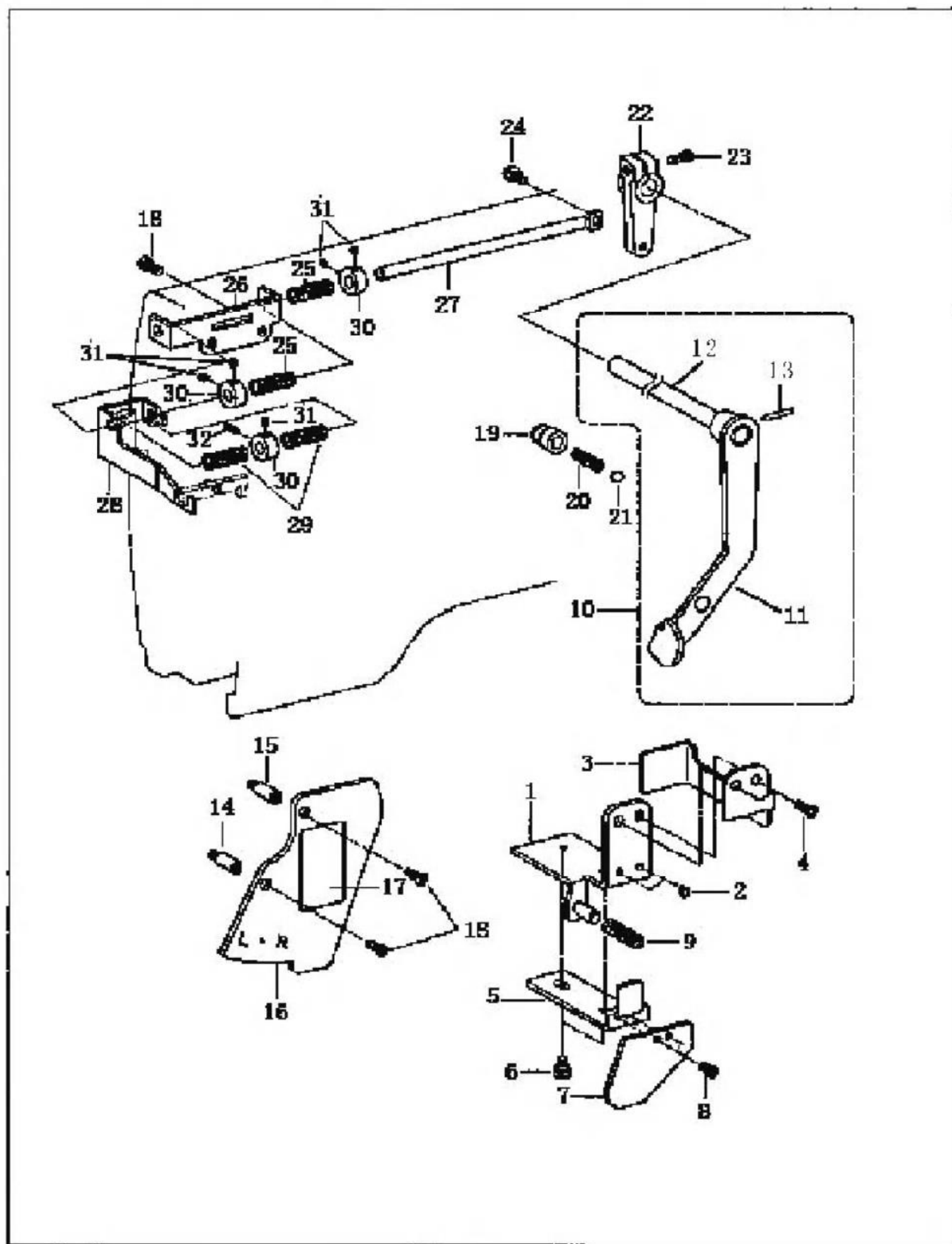
序号 Ref.No	ERP编号 Part No	零件名称	NAME OF PARTS	数量 AMT		
				8420	8420	8720
				N-D3/ EZN-D3	N-D3/ EZN-D3	N-D3/ EZN-D3
				-3	-5	
3-1-1	PF8420M-D3030101	针杆摆动轴组件	NEEDLE BAR ROCKER SHAFT ASSY	1	1	1
3-1-2		针杆支架组件	NEEDLE BAR BASE ASSY	1	1	1
3-1-3		摆轴	SHAFT	1	1	1
3-1-4		针杆支架	NEEDLE BAR BASE	1	1	1
3-1-5		锥销	PIN TAPER	1	1	1
3-1-6		角滑块槽	SLIDE BLOCK SLIDER	1	1	1
3-1-7		螺钉M4×10	SCREW	2	2	2
3-1-8		针杆	NEEDLE BAR	1	1	1
3-1-9		针杆接头	NEEDLE BAR CLAMP	1	1	1
3-1-10		螺钉M3.5×8	SCREW	1	1	1
3-1-11		油线 L=50	WICK	1	1	1
3-1-12		针杆曲柄连杆	CRANK ROD, N-BAR	1	1	1
3-1-13		角滑块	SLIDE BLOCK	1	1	1
3-1-14		油线	NEEDLE REARING	1	1	1
3-1-15		轴套L	CASE	1	1	1
3-1-16		摆轴前轴套垫片	WASHER, PLAIN	1	1	1
3-1-17		油塞	CAP, N-BAR	1	1	1
3-1-18	PF8420M-D3030118	油毡上支架	FELT SUPPORT, U	1	1	1
3-1-19	PF8420M-D3010112	螺钉M5×6	SCREW	1	1	1
3-1-20	PF8420M-D3030120	油毡下支架	FELT SUPPORT, D	1	1	1
3-1-21	PF68425K13005	油线 L=200	WICK	1	1	1
3-1-22	PF8420M-D3030122	油毡	FELT	1	1	1
3-1-23	PF8420M-D3030123	前轴套挡圈	SET SCREW COLLAR	2	2	2
3-1-24	PF8420M-D30210	挡圈螺钉	SCREW	4	4	4
3-1-25	PF8420M-D3030125	摆动轴后轴套	BUSH, R	1	1	1
3-1-26	PF8420M-D3010108	螺钉M5×8	SCREW	1	1	1
3-1-27	PF8420M-D3030127	螺钉M6×16	SCREW	1	1	1
3-1-28	PF8420M-D3030128	针杆摆动大连杆	NEEDLE BAR ROCKER LEVER	1	1	1
3-1-29		螺栓M6×20	BOLT	1	1	1
3-1-30		垫圈	WASHER	1	1	1
3-1-31		针杆摆动小连杆	ROCKER LINK, N-BAR	1	1	1
3-1-32		螺钉M6×5	SCREW	2	2	2
3-1-33		摆动杆轴	LINK SHAFT, N-BAR ROCKER	1	1	1
3-1-34	PF8420M-D30634	螺钉M6×6	SCREW	2	2	2
3-1-35		摆动杆轴套	ZIGZAG LINK BUSH	1	1	1
3-1-36		螺栓 M6×25	BOLT	1	1	1
3-1-37		摆动杆轴套垫圈	WASHER, PLAIN	2	2	2
3-1-38		针杆摆动臂	NEEDLE BAR ROCK ARM	1	1	1

3-2 针杆摆动部件 / NEEDLE BAR ROCKING MECHANISM



平缝系列>8450>3-2 针杆摆动部件/NEEDLE BAR ROCKING MECHANISM						
序号 Ref. No	ERP编号 Part No	零件名称	NAME OF PARTS	数量 AMT		
				8450	8450	8750
				N D3/ EZN-D3	N D3/ EZN-D3	N D3/ EZN-D3
				-3	-5	
3-2-1	PF8450M-D3030201	针杆摆动轴组件	NEEDLE BAR ROCKER SHAFT ASSY	1	1	1
3-2-2		针杆台组件	NEEDLE BAR BASE ASSY	1	1	1
3-2-3		摆轴	SHAFT	1	1	1
3-2-4		针杆支架	NEEDLE BAR BASE	1	1	1
3-2-5		锥销	FIN TAPER	1	1	1
3-2-6		角滑块槽	SLIDE BLOCK SLIDER	1	1	1
3-2-7		螺钉M1×10	SCREW	2	2	2
3-2-8	PF8450030208	针杆组件(左)	NEEDLE BAR ASSY, L	1	1	1
3-2-9	PF8450030209	针杆组件(右)	NEEDLE BAR ASSY, R	1	1	1
3-2-10	PF8450030210	针杆接头组件	NEEDLE BAR CLAMP ASSY	1	1	1
3-2-11		销1.5×5.8	FIN	2	2	2
3-2-12		离合器摆杆弹簧	SPRING	1	1	1
3-2-13		销2×15.8	FIN	1	1	1
3-2-14		止动块(左)	CLUTCH STOPPER, L	1	1	1
3-2-15		止动块(右)	CLUTCH STOPPER, R	1	1	1
3-2-16		销2×17.8	FIN	1	1	1
3-2-17		推板止动簧	SPRING	2	2	2
3-2-18		弹簧支架	SPRING HOLDER	1	1	1
3-2-19		螺钉M2.6×3	SCREW	2	2	2
3-2-20		销	FIN	1	1	1
3-2-21		离合销弹簧	SPRING, RELEASE PIN	1	1	1
3-2-22		离合销盖	FIN COVER	1	1	1
3-2-23		螺钉M2.6×5	SCREW	1	1	1
3-2-24		离合器摆杆	CLUTCH LEVER ASSY	2	2	2
3-2-25		止摆块	CLUTCH LEVER	2	2	2
3-2-26		针杆接头	NEEDLE BAR CLAMP	1	1	1
3-2-27		滑块组件	SLIDE BLOCK ASSY	1	1	1
3-2-28		针杆定位	STOPPER, N-BAR	2	2	2
3-2-29		针杆制动器弹簧	SPRING, N-EAR STOPPER	2	2	2
3-2-30		弹簧盖	SPRING COVER	1	1	1
3-2-31		螺钉M3.5×6	SCREW	1	1	1
3-2-32		针杆定位块	ROTATE STOPPER, N-BAR	2	2	2
3-2-33		螺钉M3.5	SCREW	2	2	2
3-2-34		角滑块导向板	SLIDE BLOCK GUIDE PLATE	1	1	1
3-2-35		垫圈	WASHER, PLANE	2	2	2
3-2-36		螺钉M3.5×8	SCREW	2	2	2
3-2-37		油线	WICK	1	1	1
3-2-38		针杆曲柄连杆	CRANK ROD, N-BAR	1	1	1
3-2-39		角滑块	SLIDE BLOCK	1	1	1
3-2-40	PF8450M-D3030240	油毡下支架	FELT SUPPORT	1	1	1
3-2-41	PF8420M-D30408	螺钉M3.5×5	SCREW	2	2	2
3-2-42	PF8450M-D3030242	油毡	FELT	1	1	1
3-2-43	PF8450M-D3030243	油毡	FELT	2	2	2
3-2-44	PF8450M-D3030244	油毡上支架	FELT SUPPORT	1	1	1
3-2-45	PF8450M-D3030245	油毡	FELT	1	1	1
3-2-46	PF8420M-D30408	螺钉M3.5×5	SCREW	1	1	1
3-2-47	PF8450M-D3030247	固定螺钉M8×8	SCREW	4	4	4
3-2-48		衬垫 5.3	SPACER 5.3	2	2	2
3-2-49	PF8420M-D3030123	紧圈	SET SCREW COLLAR	1	1	1
3-2-50	PF8420M-D30208	固定螺钉M6×5	SCREW	2	2	2
3-2-64	PF8420M-D3030264	摆动杆前轴套	BUSH	1	1	1
3-1-27	PF8420M-D3030127	螺钉M6×16	SCREW	1	1	1
3-1-28	PF8420M-D3030128	针杆摆动大连杆	NEEDLE BAR ROCKER LEVER ASSY	1	1	1
3-1-29		螺栓M6×20	BOLT	1	1	1
3-1-30		垫圈	WASHER	1	1	1
3-1-31		针杆摆动小连杆	ROCKER LINK, N-BAR	1	1	1
3-1-32		螺钉M6×5	SCREW	2	2	2
3-1-33		摆动杆轴	LINK SHAFT, N-BAR ROCKER	1	1	1
3-1-34		螺钉M6×6	SCREW	2	2	2
3-1-35		摆动杆轴套	ZIGZAG LINK BUSH	1	1	1
3-1-36		螺栓M6×25	BOLT	1	1	1
3-1-37		摆动杆轴套垫圈	WASHER, PLAIN	2	2	2
3-1-38		针杆摆动臂	NEEDLE BAR ROCK ARM	1	1	1
3-2-64	PF8420M-D3030264	轴套L	BUSH, L	1	1	1
3-2-65		油线4×4 L=150	WICK	1	1	1

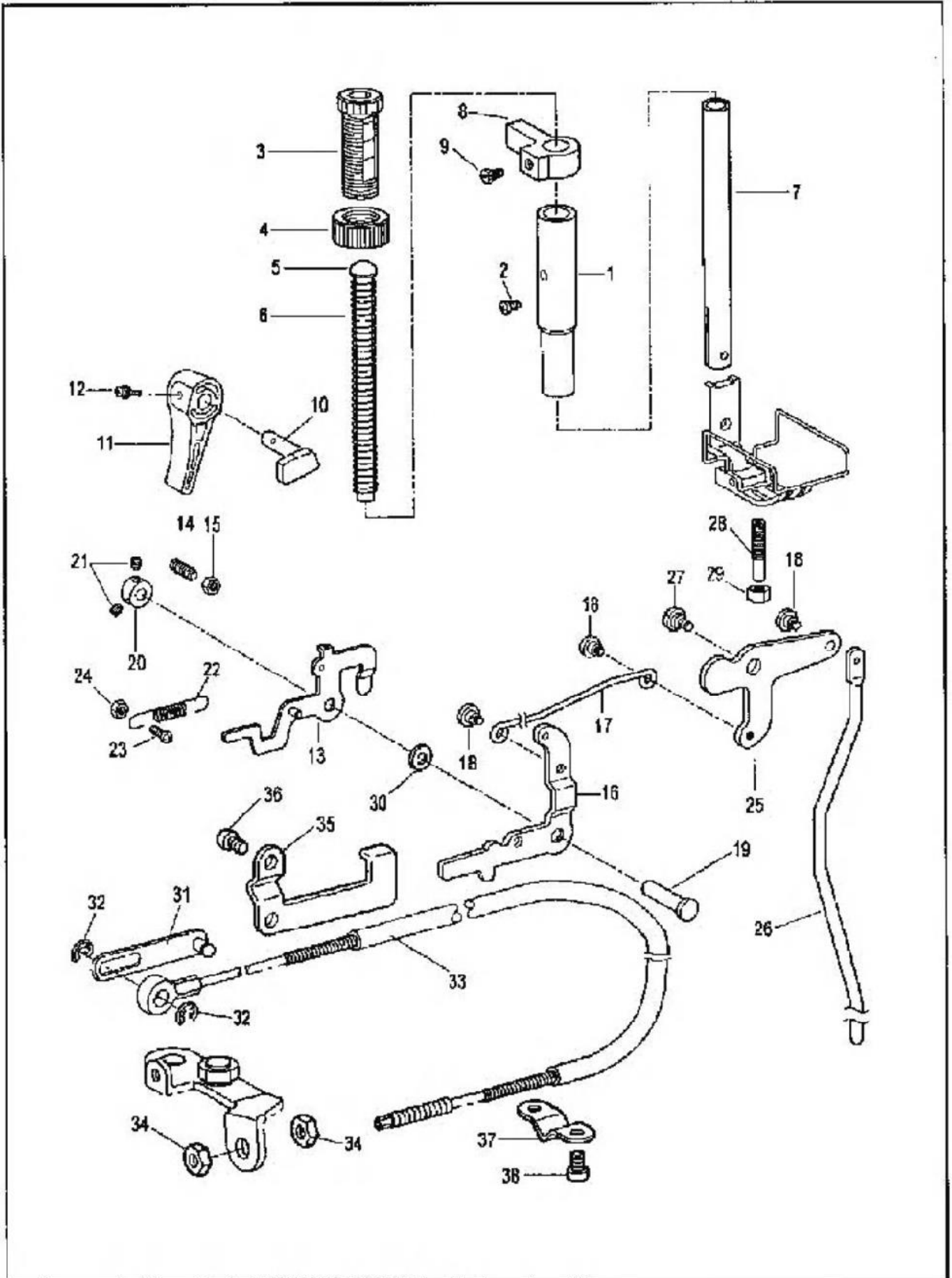
4 针杆切换操作部件 / Needle bar flip-up mechanism



平缝系列>8450>4, 针杆切换操作部件/Needle bar flip-up mechanism

序号 Ref. No	ERP编号 Part No	零件名称	NAME OF PARTS	数量 AMT		
				8450	8450	8750
				N-D3/ EZN-D3	N-D3/ EZN-D3	N-D3/ EZN-D3
				-3	-5	
4-1	PF8450M-D30401	指示板组件	INDICATION PLATE ASSY	1	1	1
4-2	PF8450M-D30402	橡皮塞 4.3	RUBBER CAP, 4.3	2	2	2
4-3	PF8450M-D30403	指示板盖	HOLDER PLAIE COVER	1	1	1
4-4	PF8450M-D30404	螺钉M5X10	SCREW	2	2	2
4-5	PF8450M-D30405	压杆	PUSH LEVER	1	1	1
4-6	BF700S038	轴位螺钉M4	SHOULDER SCREW, M4	2	2	2
4-7	PF8450M-D30407	压杆板	PLATEPUSH LEVER	1	1	1
4-8	PF8450M-D30408	螺钉M3.5×5	SCREW	2	2	2
4-9	PF8450M-D30409	弹簧	SPRING	1	1	1
4-10	PF8450M-D30410	定位杆轴组件	STOP LEVER SHAFT ASSY	1	1	1
4-11		扳手	WRENCH	1	1	1
4-12		扳手轴	SHAFT	1	1	1
4-13		销子3×18	PIN	1	1	1
4-14	PF8450M-D30414	螺栓L	BOLT, L	1	1	1
4-15	PF8450M-D30415	螺栓S	BOLT, S	1	1	1
4-16	PF8450M-D30416	切换指示板	FLIP-UP HOLDER PLATE	1	1	1
4-17	PF8450M-D30417	切换指示标签	LABEL	1	1	1
4-18	PF8420M-D3010108	螺钉M5×8	SCREW	2	2	2
4-19	PF68455C13	轴承导向套	BALL GUIDE BUSH	1	1	1
4-20	PF68455C14	弹簧	SPRING	1	1	1
4-21	PF68455C15	钢球1/4	BEARING BALL, 1/4	1	1	1
4-22	PF8450M-D30422	轴臂	ARM, LEVER SHAFT	1	1	1
4-23	PF1310J48	螺钉M5×14	SCREW	1	1	1
4-24	PF8450M-D30424	螺钉M4	SCREW	1	1	1
4-25	PF8450M-D30425	弹簧	SPRING	2	2	2
4-26	PF8450M-D30426	滑轴架	SLIDE SHAFT BRACKET	1	1	1
4-27	PF8450M-D30427	滑动轴	SLIDE SHAFT	1	1	1
4-28	PF8450M-D30428	支架板	SUPPORT PLATE, SLIDE SHAFT	1	1	1
4-29	PF8450M-D30429	弹簧	SPRING	2	2	2
4-30	PF8450M-D30430	紧圈	SET SCREW COLLAR	3	3	3
4-31	PF8450M-D30431	螺钉M4×4	SCREW	5	5	5
4-32	PF8450M-D30432	导向螺钉	GUIDE SCREW	1	1	1

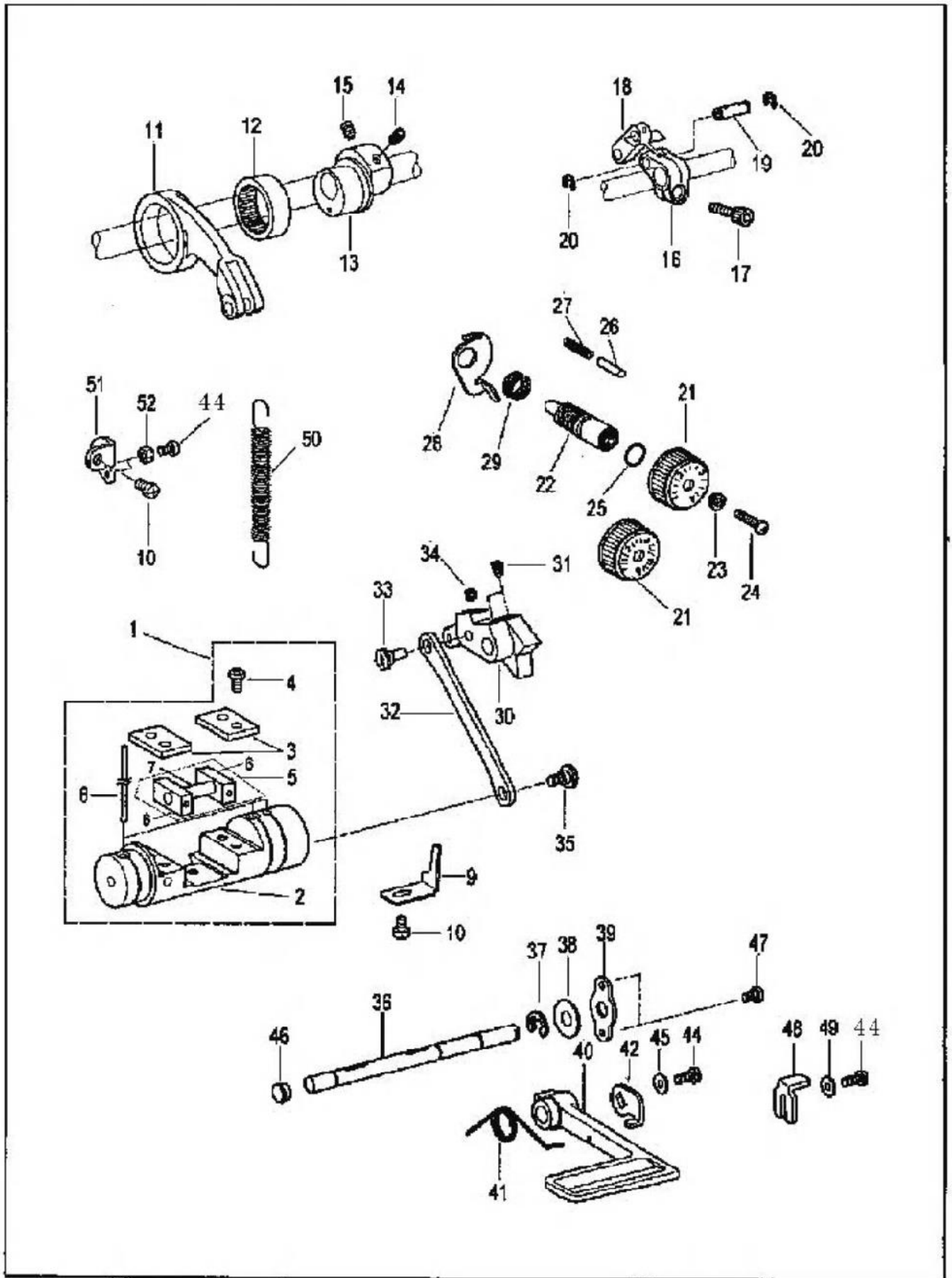
5 压脚部件/Presser foot mechanism



平缝系列>8420>5 压脚部件/Presser foot mechanism

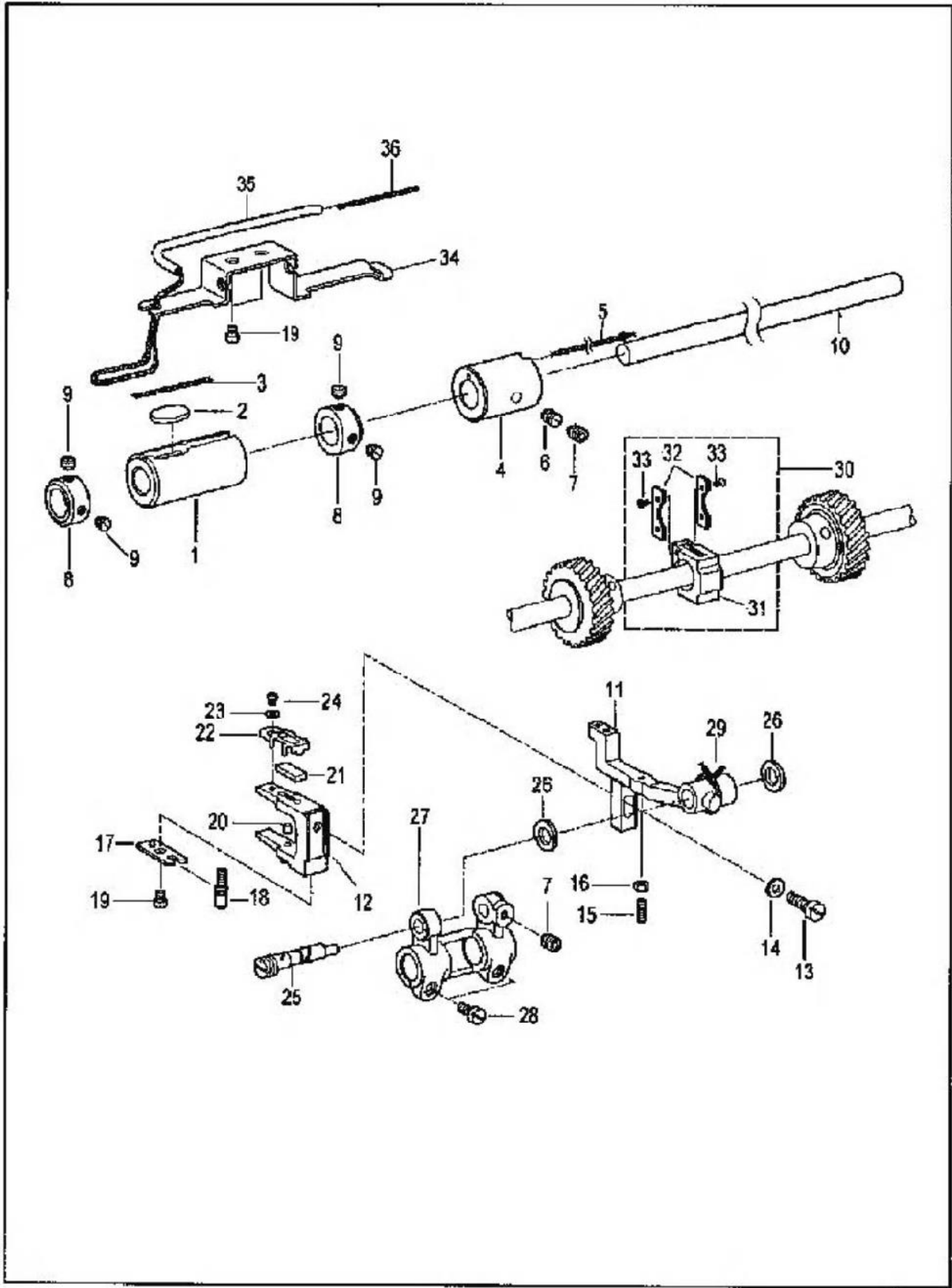
序号 Ref. No	ERP编号 Part No	零件名称	NAME OF PARTS	数量 AMT					
				8420	8420	8450	8450	8720	8750
				N-D3/ EZN-D3	N-D3/ EZN-D3	N-D3/ EZN-D3	N-D3/ EZN-D3	N-D3/ EZN-D3	N-D3/ EZN-D3
				-3	-5	-3	-5		
5-1	PF8420M-D30E01	压紧杆轴套	PRESSER BAR BUSH	1	1	1	1	1	1
5-2	PF8420M-D3010129	螺钉 M5×14	SCREW	1	1	1	1	1	1
5-3	PF8420M-D30E03	调压螺钉	PRESSER ADJUSTING SCREW	1	1	1	1	1	1
5-4	PF8420M-D30E04	调压螺钉锁紧螺母	ADJUST SCREW NUT	1	1	1	1	1	1
5-5	PF8420M-D30E05	压紧杆导杆	SPRING GUIDE	1	1	1	1	1	1
5-6	PF8420M-D30E06	压紧弹簧	PRESSER BAR SPRING	1	1	1	1	1	1
5-7	PF8420M-D30E07	压紧杆	PRESSER BAR	1	1	1	1	1	1
5-8	PF8420M-D30E08	压紧杆导架	GUIDE BRACKET, P-BAR	1	1	1	1	1	1
5-9	PF8420M-D30E09	螺栓M6×10	BOLT	1	1	1	1	1	1
5-10	PF8420M-D30E10	压杆提升曲柄	PRESSER BAR LIFTING CRANK	1	1	1	1	1	1
5-11	PF8420M-D30E11	抬压脚扳手	LIFTING LEVER	1	1	1	1	1	1
5-12	PF8420M-D30E12	螺钉M3.5×12含垫圈	SCREW, PAN (S/P W)	1	1	1	1	1	1
5-13	PF8420M-D30E13	松线板组件(切线)	TENSION RELEASE PLATE ASSY	1	1	1	1	1	1
	PF8420D051301	松线板组件(普通机)	TENSION RELEASE PLATE ASSY						
5-14	PF8420M-D30E14	螺钉M6×18	SCREW	1	1	1	1	1	1
5-15	PF8420M-D30E15	螺母M6	NUT	1	1	1	1	1	1
5-16	PF8420M-D30E16	抬压脚连杆	PRESSER BAR LIFTING LEVER	1	1	1	1	1	1
5-17	PF8420M-D30E17	膝控连杆	KNEE LIFTER CONNECTING ROD	1	1	1	1	1	1
5-18	PF8420M-D30E18	膝控连杆螺钉M5	SHOULDER SCREW M5	1	1	1	1	1	1
5-19	PF8420M-D30E19	膝控提升左杠杆销	P-BAR LIFTING LEVER SHAFT	1	1	1	1	1	1
5-20	PF8420M-D30E20	挡圈	SET SCREW COLLAR	1	1	1	1	1	1
5-21	PF8420M-D30E21	螺钉M5×5	SCREW	2	2	2	2	2	2
5-22	PF8420M-D30E22	拉簧	SPRING, EXTENSION	2	2	2	2	2	2
5-23	PF9990423	螺钉M5×14	SCREW	1	1	1	1	1	1
5-24	PF8420M-D30E24	螺母M5	NUT	1	1	1	1	1	1
5-25	PF8420M-D30E25	膝控提升杠杆	KNEE LIFTER LEVER	1	1	1	1	1	1
5-26	PF8420M-D30E26	膝控提升杆	KNEE LIFTER BAR	1	1	1	1	1	1
5-27	PF8420M-D30E27	螺钉M6	SHOULDER SCREW M6	1	1	1	1	1	1
5-28	PF8420M-D30E28	调整螺钉	ADJUSTING SCREW	1	1	1	1	1	1
5-29	PF8420M-D30E15	螺母M6	NUT	1	1	1	1	1	1
5-30	PF8420M-D30E30	垫圈	WASHER, PLAIN	1	1	1	1	1	1
5-31	PF8420M-D30E31	松线连杆组件	T-TENSION RELEASE CONNECTING ROD ASSY	1	1	1	1	1	1
5-32	SCJ1003	卡簧E3	RETAINING RING E3	2	2	2	2	2	2
5-33	PF8420M-D30E33	松线钢丝	TENSION RELEASE WIRE	1	1	1	1	1	1
5-34	PF8420M-D30E34	螺母SM4.76	NUT SM4.76	2	2	2	2	2	2
5-35	PF8420M-D30E35	松线钢丝支架	TENSION RELEASE WIRE HOLDER	1	1	1	1	1	1
5-36	PF8420M-D3010108	螺钉M5X8	SCREW M5X8	2	2	2	2	2	2
5-37	PF8420M-D30E37	松线电线夹	TENSION RELEASE WIRE HOLDER	1	1	1	1	1	1
5-38	PF8420M-D30E38	螺钉M6X8	SCREW M6X8	2	2	2	2	2	2

6 送布部件/feed mechanism



平缝系列>8420>6, 送布部件 /feed mechanism									
序号 Ref. No	ERP编号 Part No	零件名称	NAME OF PARTS	数量 AMT					
				8420	8420	8450	8450	8720	8750
				N-D3/ EZN-D3	N-D3/ EZN-D3	N-D3/ EZN-D3	N-D3/ EZN-D3	N-D3/ EZN-D3	X-D3/ EZN-D3
				-3	-5	-3	-5		
6-1	PF8420M-D30601 (-5)	倒缝调节架组件 (-5)	FEED REGULATOR ASSY	1	1	1	1	1	1
6-2		倒缝调节架	FEED REGULATOR						
6-3		滑块导向	GUIDE PLATE	2	2	2	2	2	2
6-4		螺钉M6×10	SCREW	4	4	4	4	4	4
6-5		滑块组件	SLIDE BLOCK ASSY	1	1	1	1	1	1
6-6		滑块	SLIDE BLOCK	2	2	2	2	2	2
6-7		滑块轴	SHAFT	1	1	1	1	1	1
6-8		油线	FELT	3	3	3	3	3	3
6-9	PF8420M-D30609	切袋器定位	STOPPER	1	1	1	1	1	1
6-10	PF8420M-D30538	螺钉M6×8	SCREW	1	1	1	1	1	1
6-11	PF8420M-D30611	送布大连杆	FEED ROCKER CONNECTING ROD	1	1	1	1		
	PF8720M-D30611	送布大连杆	FEED ROCKER CONNECTING ROD					1	1
6-12	PF8420M-D30612	滚针轴承	NEEDLE BEARING	1	1	1	1	1	1
6-13	PF68425E05	送布凸轮5	LEVEL FEED ECCENTRIC WHEEL 5	1	1	1	1		
		送布凸轮7	LEVEL FEED ECCENTRIC WHEEL 7					1	1
6-14	PF68425J1003	固定螺钉M6×10	SCREW	1	1	1	1	1	1
6-15	PF8420M-D30212	螺钉M6×10	SCREW	1	1	1	1	1	1
6-16	PF8420M-D30616	送布曲柄5	FEED ROCKER ARM5	1	1	1	1		
	PF8720M-D30616	送布曲柄7	FEED ROCKER ARM5					1	1
6-17	PF8420M-D3030127	螺栓M6×20	BOLT	1	1	1	1	1	1
6-18	PF8420M-D30618	送布小连杆	LINK	1	1	1	1	1	1
6-19	PF8420M-D30619	送布曲柄轴	SHAFT	1	1	1	1	1	1
6-20	SCJ1013	卡簧E8	RETAINING RING, E8	2	2	2	2	2	2
6-21	PF8420M-D30621 (4)	针距调节标盘 (4)	STITCH LENGTH DIAL 4	1		1			
	PF8420M-D30621 (5)	针距调节标盘 (5)	STITCH LENGTH DIAL 5		1		1		
	PF8720D30621	针距调节标盘 (7)	STITCH LENGTH DIAL 7					1	1
6-22	PF8420M-D30622	针距调节螺杆	FEED REGULATING STUD	1	1	1	1	1	1
	PF8420D0622	针距调节螺杆	FEED REGULATING STUD						
6-23	PF6150642	针距标盘套	FEED REGULATING SUPPORTER	1	1	1	1	1	1
6-24	PF6150633	螺钉SM4.76	SCREW	1	1	1	1	1	1
6-25	PF555074	O型圈	O RING	1	1	1	1	1	1
6-26	PF9990406	止动销	POSITIONING PIN	1	1	1	1	1	1
6-27	PF555073	止动销弹簧	NOTCH SPRING	1	1	1	1	1	1
6-28	PF9990499	标盘锁杆	DIAL LOCK LEVER	1	1	1	1	1	1
6-29	PF8420M-D30629	标盘锁杆弹簧	SPRING	1	1	1	1	1	1
6-30	PF8420M-D30630	针距调节摆杆 (5)	FEED REGULATOR 5	1	1	1	1		
	PF8720M-D30630	针距调节摆杆 (7)	FEED REGULATOR 7					1	1
6-31	PF8720M-D30631	固定螺钉M6×10	SCREW	2	2	2	2	2	2
6-32	PF8420M-D30632	针距连杆	CONNECTING ROD	1	1	1	1	1	1
6-33	PF8420M-D30633	偏心轴 0.55	ECCENTRIC SHAFT	1	1	1	1	1	1
6-34	PF8420M-D30634	固定螺钉M6×6×L.0	SCREW	1	1	1	1	1	1
6-35	PF8420M-D30635	轴衬螺钉M6	SHOULDER SCREW M5	1	1	1	1	1	1
6-36	PF8420M-D30636	倒缝扳手轴	SHAFT R-LEVER TR	1	1	1	1	1	1
6-37	SCJ1013	卡簧E8	RETAINING RING, E8	1	1	1	1	1	1
6-38	PF8420M-D30638	垫圈	WASHER PLAIN S10	1	1	1	1	1	1
6-39	PF8420M-D30639	倒缝扳手轴垫片	SPACER	1	1	1	1	1	1
6-40	PF8420M-D30640	倒缝扳手	REVERSE STITCHING LEVER	1	1	1	1	1	1
6-41	PF8420M-D30641	倒缝扳手弹簧	SPRING	1	1	1	1	1	1
6-42	PF8420M-D30642	手柄导向	LEVER GUIDE	1	1	1	1	1	1
6-44	PF8420M-D301011C	螺钉M5×12	SCREW	1	1	1	1	1	1
6-45	PF8420M-D31523	平垫圈M5	WASHER PLAIN M5	1	1	1	1	1	1
6-46	PF8420M-D30646	橡皮塞	RUBBER CAP	1	1	1	1	1	1
6-47	PF8420M-D301010E	螺钉M5×8	SCREW	1	1	1	1	1	1
6-48	PF8420M-D30648	定位器	STOPPER	1	1	1	1	1	1
6-49		平垫圈M5	WASHER PLAIN M5	1	1	1	1	1	1
6-50	PF8420M-D30650	拉簧	FEED REGULATOR SPRING ST	1	1	1	1	1	1
6-51	PF8420M-D30651	弹簧挂勾	STRING HOOK	1	1	1	1	1	1
6-52	PF8420M-D30812	螺母M5	NUT M5	1	1	1	1	1	1

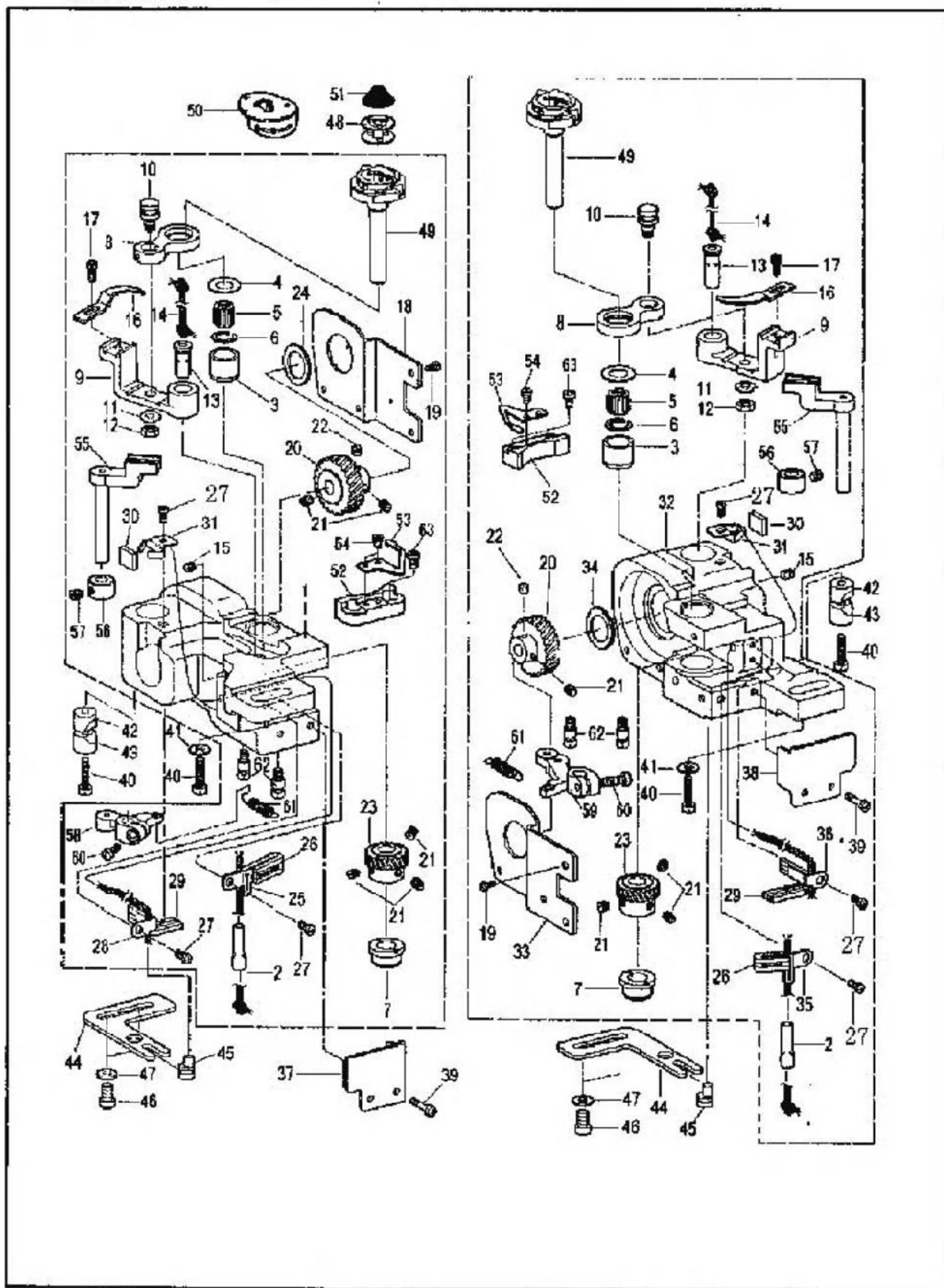
7 送布轴部件/Feed shaft mechanism



平缝系列>8420>7 送布轴部件/Feed shaft mechan

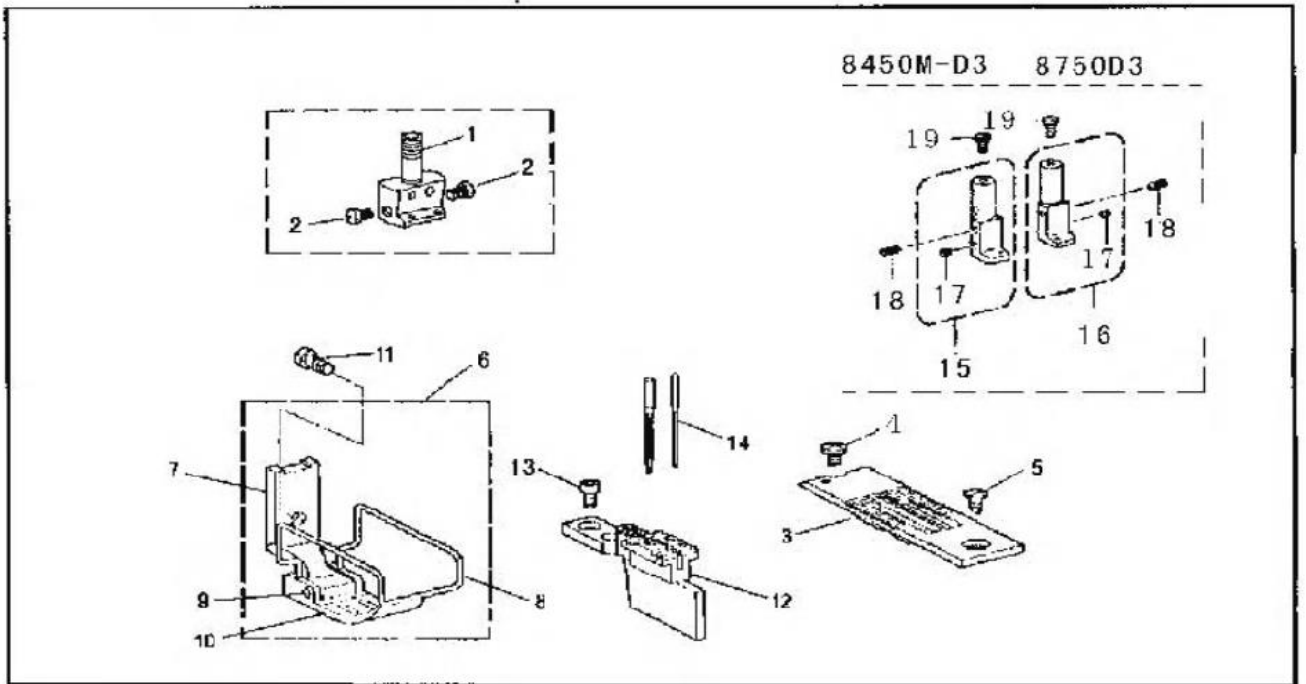
序号 Ref. No	ERP编号 Part No	零件名称	NAME OF PARTS	数量 AMT					
				8420	8420	8450	8450	8720	8750
				N-D3/ EZN-D3	N-D3/ EZN-D3	N-D3/ EZN-D3	N-D3/ EZN-D3	N-D3/ EZN-D3	N-D3/ EZN-D3
				-3	-5	-3	-5		
7-1	PF8420M-D30701	送布轴左轴套	BUSH, L:F-ROCKER SHAFT	1	1	1	1	1	1
7-2	PF8420M-D30702	油毡	FELT	1	1	1	1	1	1
7-3		油线4×4 L=450	WICK	1	1	1	1	1	1
7-4	PF8420M-D30704	送布轴右轴套	FEED ROCKER SHAFT BUSH, R	1	1	1	1	1	1
7-5		油线4×4 L=250	WICK	1	1	1	1	1	1
7-6	PF8420M-D30706	紧定螺钉M6	SCREW	1	1	1	1	1	1
7-7	PF8420M-D30210	螺钉M6×6	SCREW	1	1	1	1	1	1
7-8	PF8420M-D30708	送布轴挡圈	SET SCREW COLLAR	2	2	2	2	2	2
7-9	PF8420M-D30210	螺钉M6×6	SCREW	4	4	4	4	4	4
7-10	PF8420M-D30710	送布轴	FEED ROCKER SHAFT	1	1	1	1	1	1
7-11	PF84200711	牙架	FEED BAR						
	PF8420M-D30711	牙架	FEED BAR	1	1	1	1	1	1
7-12		牙叉	FEED BAR CONNECTING FORK	1	1	1	1	1	1
7-13		螺钉M6×14	SCREW	1	1	1	1	1	1
7-14		平垫圈S6	WASHER, PLAIN S6	1	1	1	1	1	1
7-15	PF8420M-D30715	调整螺钉M3.5×12	SET SCREW	1	1	1	1	1	1
7-16	PF8420M-D30716	螺母M3.5	NUT M3.5	1	1	1	1	1	1
7-17	PF8420M-D30717	开叉板	FORKED PLATE	1	1	1	1	1	1
7-18	PF8420M-D30718	调整螺栓	ADJUSTING SCREW, HIGHT	1	1	1	1	1	1
7-19	PF1310D106	螺钉M4×6	SCREW	1	1	1	1	1	1
7-20	PF8420M-D30720	油毡	FELT	1	1	1	1	1	1
7-21	PF8420M-D30721	油毡	FELT	1	1	1	1	1	1
7-22	PF8420M-D30722	油线压架	FELT HOLDER	1	1	1	1	1	1
7-23	PF8420M-D30723	平垫圈S3	WASHER, PLAIN S3	1	1	1	1	1	1
7-24	PF1310C218	螺钉M3×4	SCREW	1	1	1	1	1	1
7-25	PF8420M-D30725	牙架曲柄轴	FEED BAR SHAFT	1	1	1	1	1	1
7-26	PF8420M-D30726	轴向垫圈	THRUST RING	2	2	2	2	2	2
7-27	PF8420M-D30727	牙架曲柄	FEED ROCKER BASE ARM	1	1	1	1	1	1
7-28	PF8420M-D30728	螺钉M5×12	SCREW	2	2	2	2	2	2
7-29		油线4×4 L=180	WICK	1	1	1	1	1	1
7-30		牙架滑块组件	FEED BAR SLIDE BLOCK ASSY	1	1	1	1	1	1
7-31	PF8420M-D30731	牙架滑块	FEED BAR SLIDE BLOCK	1	1	1	1	1	1
7-32	PF8420M-D30732	滑块侧板	GUIDE PLATE	2	2	2	2	2	2
7-33	PF8420M-D30733	螺钉M2×4	SCREW M2X4	4	4	4	4	4	4
7-34	PF8420M-D30734	油线支架	WICK SUPPORT	1	1	1	1	1	1
7-35		油管 L=100	OIL TUBE	1	1	1	1	1	1
7-36	PF6150526	油线4×4 L=400	WICK	1	1	1	1	1	1

8 旋梭部件/Rotary hook mechanism



平缝系列/8420-8, 旋梭部件 /Rotary hook mechanism									
序号 Ref. No	EFP编号 Part No	零件名称	NAME OF PARTS	数量 QTY					
				8420 N-01/ E2N-03	8420 N-02/ E2N-03	8430 N-03/ E2N-03	8430 N-03/ E2N-03	8720 N-03/ E2N-13	5730 N-03/ E2N-03
				-3	-5	-3	-3		
8-1	PF8420D0801	左梭架(L)	HOOK SADDLE, L	1	1	1	1		
	PF8720D0801	右梭架(R)	HOOK SADDLE, R					1	1
	PF8420D0801	左梭架(L)	HOOK SADDLE, L	1	1	1	1		
	PF8720D0801	右梭架(R)	HOOK SADDLE, R					1	1
8-2		导管	PIPE	2	2	2	2	2	2
8-3	PF68-25305	旋梭上轴套	ROTARY HOOK SHAFT BUSH, U	2	2	2	2		
	PF68725305	旋梭上轴套	ROTARY HOOK SHAFT BUSH, U					2	2
8-4	PF68-25306	轴向垫圈 1.7mm	THRUST RING, 1.0mm					2	2
	PF68-25306	轴向垫圈 1.6mm	THRUST RING, 1.1mm	2	2	2	2		
	PF68-25306	轴向垫圈 1.3mm	THRUST RING, 1.4mm	2	2	2	2		
	PF205210004	轴向垫圈 1.1mm	THRUST RING, 1.1mm					2	2
8-5	PF68-25307	滚针轴承	NEEDLE BEARING	2	2	2	2	2	2
8-6	PF68-25308	止动簧	RETAINING RING	2	2	2	2	2	2
8-7	PF8420M-038807	旋梭下轴套	ROTARY HOOK SHAFT BUSH	2	2	2	2	2	2
8-8	PF8420M-038809	分线勾连杆	OPENER LINK	2	2	2	2		
8-8	PF8720M-038809	分线勾连杆	OPENER LINK					2	2
8-9	PF8420M-038809	分线勾座	OPENER LEVER					2	2
8-9	PF8720M-038810	分线勾座	OPENER LEVER	2	2	2	2		
8-10	PF8420M-038810	分线勾连杆轴	SHAFT, 0-13K	2	2	2	2		
8-11	SCJ3002	平垫圈S4, 75	WASHER, PLAIN, S4, 75	2	2	2	2	2	2
8-12	PF8420M-038812	六角螺母M3-5	NUT M6	2	2	2	2	2	2
8-13	PF8420M-038813	分线勾短轴	D-LEVER SHAFT	2	2	2	2	2	2
8-14		活线(×4 1=00)	WICK	2	2	2	2	2	2
8-15	PF68-25317	螺钉M5×10	SCREW	2	2	2	2	2	2
8-16	PF8420M-038816	分线勾	OPENER	2	2	2	2	2	2
8-17	PF68-25312	螺钉SM, 5.7×8	BOLT, SOCKET SK, 5.7×8	2	2	2	2	2	2
8-18	PF8420M-038815	左梭架基座盖	ROTARY HOOK RISE COVER, L	1	1	1	1	1	1
8-19	PF8420M-038819	螺钉M6×6	SCREW	8	8	8	8	8	8
8-20	PF8420M-038820	螺旋人齿轴	SPURIAL GEAR SCREW ASSY	2	2	2	2	2	2
8-21	BF310164547	螺钉M6×0.75×5	SCREW	10	10	10	10	10	10
8-22	BF310164555	尖头螺钉6mm, 75	SCREW	2	2	2	2	2	2
8-23	PF8420M-038823	小齿轮	PIVOT GEAR SCREW ASSY	2	2	2	2	2	2
8-24	PF8420M-038824	毡圈	THRUST WASHER, L	1	1	1	1	1	1
8-25	PF8420M-038825	毡圈架(L)	FELT U, ASSY	1	1	1	1	1	1
8-26	PF8420M-038826	毡圈	FELT						
8-27	PF11200106	螺钉M6×6	SCREW	4	4	4	4	4	4
8-28	PF8420M-038828	毡圈架(R)	FELT R, ASSY	1	1	1	1	1	1
8-29	PF8420M-038829	毡圈	FELT						
8-30	PF8420M-038830	毡圈	FELT	2	2	2	2	2	2
8-31	PF8420M-038831	毡圈架	FELT SUPPORT	2	2	2	2	2	2
8-32	PF8420D0832	右梭架(R)	HOOK SADDLE, R	1	1	1	1		
	PF8720D0832	右梭架(R)	HOOK SADDLE, R					1	1
	PF8420D0832	右梭架(R)	HOOK SADDLE, R	1	1	1	1		
	PF8720D0832	右梭架(R)	HOOK SADDLE, R					1	1
8-33	PF8420M-038833	旋梭基座盖R	ROTARY HOOK RISE COVER, R	1	1	1	1	1	1
8-34	PF8420M-038834	垫圈	SPACER	1	1	1	1	1	1
8-35	PF8420M-038835	毡圈架(R)	FELT R, ASSY	1	1	1	1	1	1
8-36	PF8420M-038836	毡圈架(R)	FELT R, ASSY	1	1	1	1	1	1
8-37	PF8420M-038837	旋梭基座盖L	ROTARY HOOK RISE COVER, L	1	1	1	1	1	1
8-38	PF8420M-038838	旋梭基座盖FR	ROTARY HOOK RISE COVER, FR	1	1	1	1	1	1
8-39	PF8420M-038839	螺钉M6×12	SCREW	4	4	4	4	4	4
8-40	PF8420M-038840	螺钉M6×15	SCREW	2	2	2	2	2	2
8-41	PF8420M-031320	垫圈6, 35	WASHER, PLAIN 6, 35	2	2	2	2	2	2
8-42	PF8420M-030842Z	梭架紧固下套	PIVOT SLEEVE, I	2	2	2	2	2	2
8-43	PF8420M-030842Z	梭架紧固下套	PIVOT SLEEVE, 2	2	2	2	2	2	2
8-44	PF8420M-030844	调节板	NEEDLE UPPER POSITIONING PLATE	2	2	2	2	2	2
8-45	PF8420M-030845	调节轴	NEEDLE UPPER POSITIONING SHAFT	1	1	1	1	1	1
8-46	PF8420M-030846	螺钉M6×10	SCREW	4	4	4	4	4	4
8-47	SCJ3002	平垫圈S6	WASHER, PLAIN S6	4	4	4	4	4	4
8-48	PF68-25341	梭心	BORBYN	2	2	2	2		
	PF68725341	梭心	BORBYN					2	2
8-49	PF68-253201	旋梭部件	HOOK COMPLETE	2					
	PF68-253201	旋梭部件	HOOK COMPLETE		2				
	PF8450M-030849	旋梭部件	HOOK COMPLETE			2	2		
	PF68725301	旋梭部件	HOOK COMPLETE					2	
8-50	PF8750D0649	旋梭部件	HOOK COMPLETE						2
8-51	PF8450M-030849	梭心套	BORBYN CASE			2	2		
	PF8750D0649	梭心套	BORBYN CASE						2
8-51	PF8420M-030851	梭心簧	BORBYN SPRING	2	2	2	2		
8-52	PF8420M-030852	动刀座	MOVABLE KNIFE BRACKET	2	2	2	2	2	2
8-53	PF8420M-030853	板簧	SPRING, PLATE	1	1	1	1	1	1
8-54	PF8420M-030854	螺钉SM, 0.4×0.3	SCREW	4	4	4	4	4	4
8-55	PF8420M-030855	动刀杆	MOVABLE KNIFE BAR	2	2	2	2	2	2
8-56	PF6150M04	套筒	SET SCREW COLLAR	2	2	2	2	2	2
8-57	PF8420M-030212	固定螺钉T6X6	SET SCREW SOCKET (PT)	2	2	2	2	2	2
8-58	PF8420M-030858	切线杆 L	THREAD TRIMMER LEVER, L	1	1	1	1	1	1
8-59	PF8420M-030859	切线杆 R	THREAD TRIMMER LEVER, R	1	1	1	1	1	1
8-60	PF8420M-030860	螺钉M3×12	SCREW	2	2	2	2	2	2
8-61	PF8420M-030861	弹簧	SPRING, EXTENS. 0N	2	2	2	2	2	2
8-62	PF8420M-030862	定位螺钉	STOPPER SCREW	4	4	4	4	4	4
8-63	PF112002	螺钉M6×8	SCREW	4	4	4	4	4	4

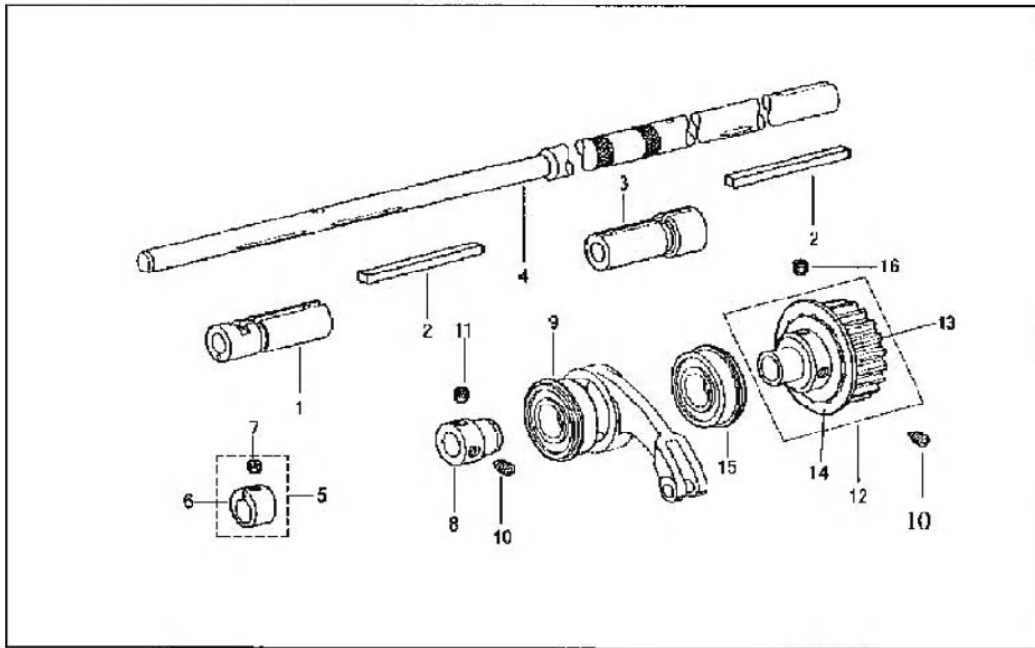
9 牙齿部件/GAUGE PARTS



平缝系列>8420>9, 牙齿部件 /GAUGE PARTS

序号 Ref.No	ERP编号 Part No	零件名称	NAME OF PARTS	数量 AMT					
				8420	8420	8450	8450	8720	8750
				N-D3/ EZN-D3	N-D3/ EZN-D3	N-D3/ EZN-D3	N-D3/ EZN-D3	N-D3/ EZN-D3	N-D3/ EZN-D3
				-3	-5	-3	-5		
9-1	PF68425G01	针接头组件1/4"	NEEDLE CLAMP ASSY,	1	1	1	1	1	1
9-2		螺钉SM3.57	SCREW	2	2	2	2	2	2
9-3	PF8420M-D30903	针板	NEEDLE PLATE	1	1	1	1	1	1
	PF68425G02	针板	NEEDLE PLATE		1		1	1	1
9-4	PF68425G03	螺钉SM4.37	SCREW	1	1	1	1	1	1
9-5	PF5550637	螺钉SM4.37-40×8	SCREW, FLATSM4.37-40×8	1	1	1	1	1	1
9-6	PF8420M-D30906	压脚组件	PRESSER FOOT ASSY	1	1	1	1	1	1
	PF68725G05	压脚组件	PRESSER FOOT ASSY						
9-7		压脚柄	PRESSER FOOT HANDLE						
9-8		护指器	FINGER PROTECTOR						
9-9		压脚销	PIN						
9-10		压脚底板	PRESSER FOOT BASE PLATE						
9-11	PF68425G06	螺钉SM3.57	SCREW	1	1	1	1	1	1
9-12	PF8420M-D30912	送布牙Φ2.0	FED DOG	1	1	1	1		
	PF8720M-D30912	送布牙Φ2.4	FED DOG					1	1
	PF68425G07	送布牙Φ2.0	FED DOG	1	1	1	1		
	PF68725G07	送布牙Φ2.5	FED DOG					1	1
9-13	PF68425G08	螺钉3.18×7	SCREW	2	2	2	2	2	2
9-14	PFDTDP514	机针 DP×5 14#	NEEDLEDPX5 14#	2		2			
	PFDTDP519	机针 DP×5 19#	NEEDLEDPX5 19#		2		2		
	PFDTDP522	机针 DP×5 22#	NEEDLEDPX5 22#					2	2
9-15	PF68455G01	针夹组件L	NEEDLE CLAMP ASSY L			1	1		1
9-16	PF68455G02	针夹组件R	NEEDLE CLAMP ASSY R			1	1		1
9-17		固定螺钉SM3.18-40	SET SCREW(CP) SM3.18-40×4			2	2		2
9-18		螺钉3.18	SET SCREW SM3.18			2	2		2
9-19		螺钉3.18	SET SCREW SM3.18			2	2		2

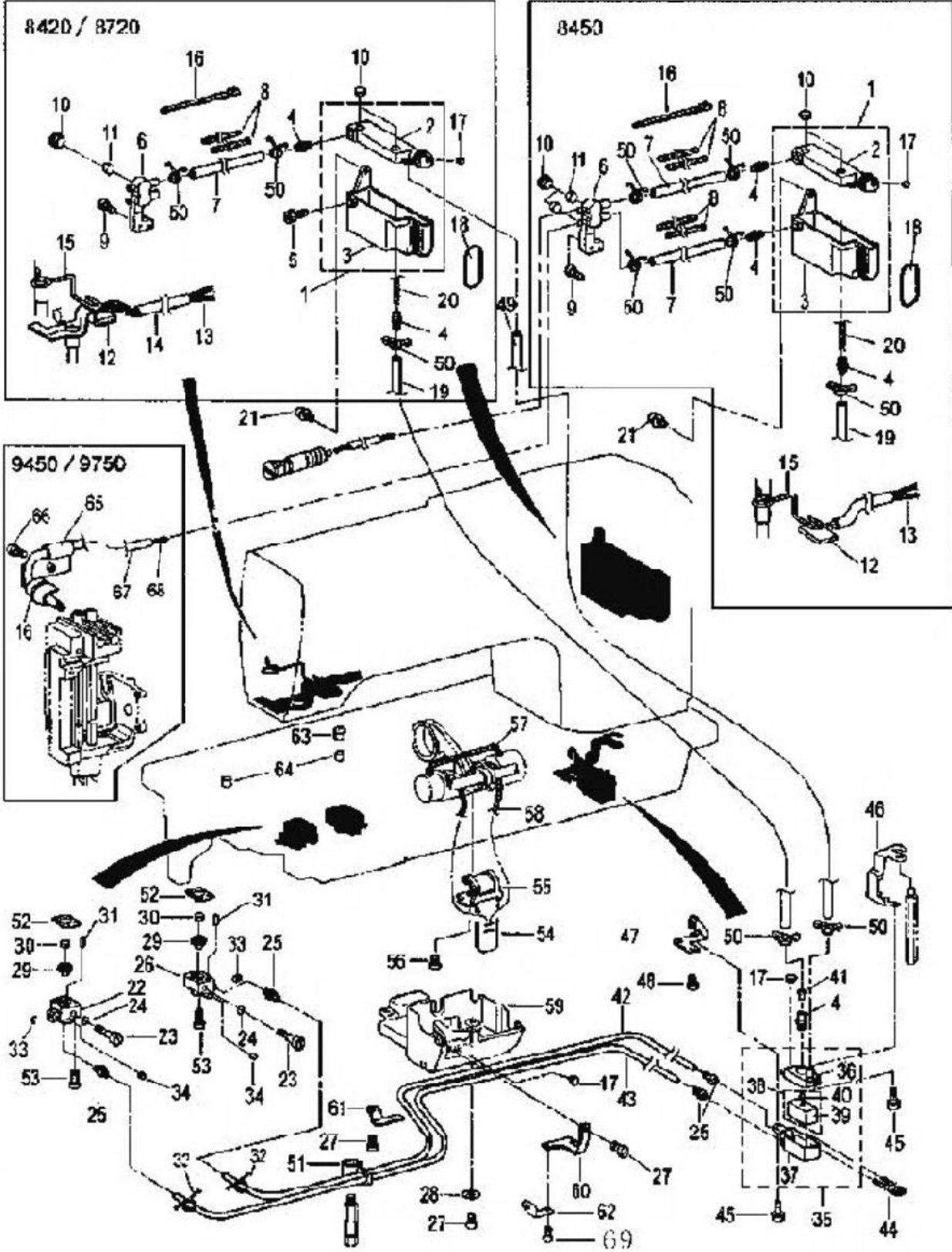
10. 下轴部件/LOWER SHAFT MECHANISM



平缝系列>8420>10, 下轴部件/LOWER SHAFT MECHANISM

序号 Ref. No	ERP编号 Part No	零件名称	NAME OF PARTS	数量 AMT					
				8420	8420	8450	8450	8720	8750
				N-D3/ EZN-D3	N-D3/ EZN-D3	N-D3/ EZN-D3	N-D3/ EZN-D3	N-D3/ EZN-D3	N-D3/ EZN-D3
				-3	-5	-3	-5		
10-1	PF8420M-D31C01	左梭架套	ROTARY HOOK BASE BUSH, L	1	1	1	1	1	1
10-2	PF8420M-D31C02	油毡	FELT	1	1	1	1	1	1
10-3	PF8420M-D31C03	右梭架套	ROTARY HOOK BASE BUSH, R	1	1	1	1	1	1
10-4	PF8420M-D31C04	下轴	LOWER SHAFT	1	1	1	1	1	1
		下轴 2	LOWER SHAFT	1	1	1	1	1	1
10-5		抬牙凸轮组件	F-LIFTING ECCENTRIC WHEEL ASSY	1	1	1	1	1	1
10-6	PF8420M-D31C06	抬牙凸轮	F-LIFTING ECCENTRIC WHEEL	1	1	1	1	1	1
10-7	PF8420M-D31C07	螺钉M6	SET SCREW	1	1	1	1	1	1
10-8	PF8420M-D31C08	轴承套	BALL BEARING BUSH	1	1	1	1	1	1
10-9	PF29520923	球轴承6004ZZNR	BALL BEARING, THRUST 6004ZZNR	1	1	1	1	1	1
10-10	PF8420M-D31C10	固定螺钉M6×10	SET SCREW	1	1	1	1	1	1
10-11	PF8420M-D30210	螺钉M6×6	SCREW	1	1	1	1	1	1
10-12	PF8420M-D31C12	下同步轮组件	TIMING PULLEY ASSY, D	1	1	1	1	1	1
10-13		下同步轮	TIMING PULLEY, D	1	1	1	1	1	1
10-14		挡圈	PULLEY FLANGE	1	1	1	1	1	1
10-15	PF29520322	球轴承6204ZZNR	BALL BEARING, THRUST 6004ZZNR	1	1	1	1	1	1
10-16	PF8420M-D31C10	固定螺钉M6×10	SET SCREW	1	1	1	1	1	1

11 供油润滑部件/Lubrication



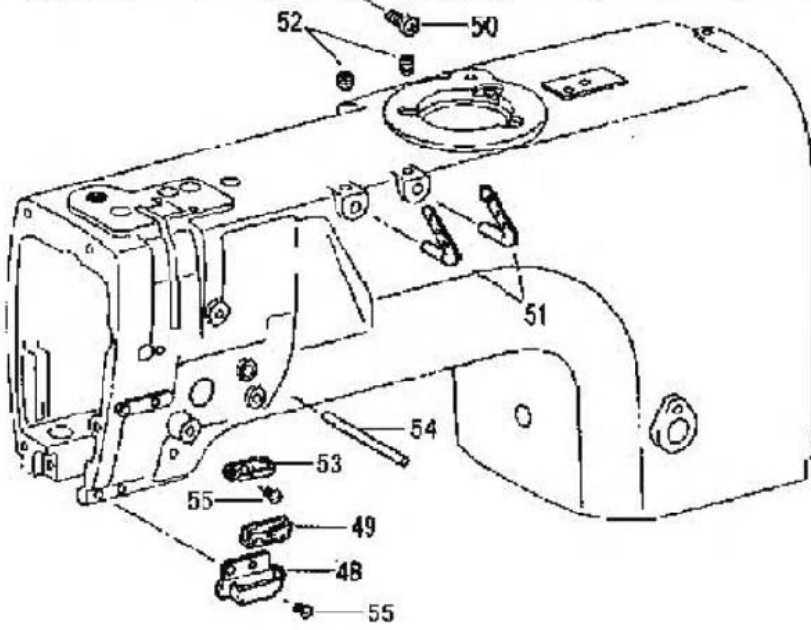
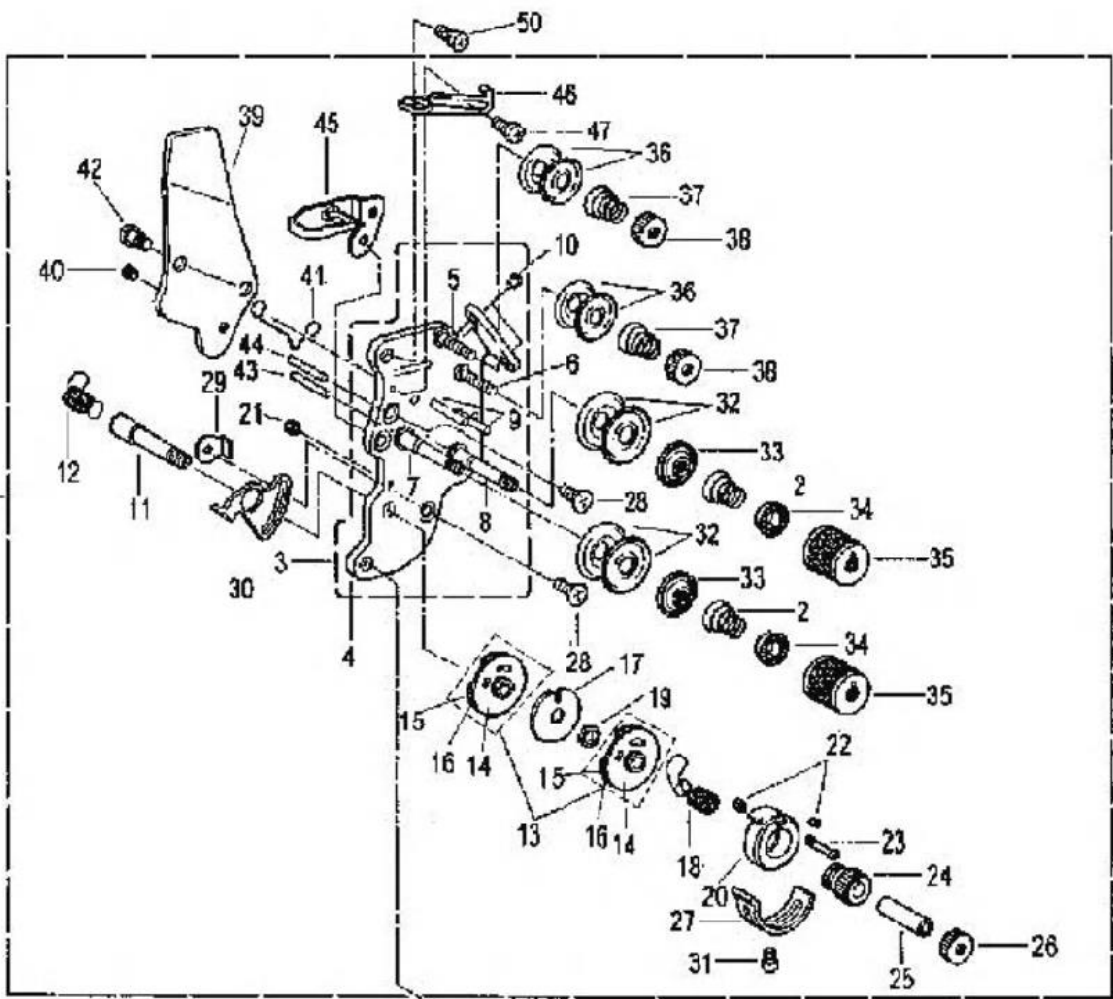
平缝系列>8420>11 供油润滑部件/Lubrication

序号 Ref.No	ERP编号 Part No	零件名称	NAME OF PARTS	数量 AMT					
				8420	8420	8450	8450	8720	8750
				N-D3/ EZN-D3	N-D3/ EZN-D3	N-D3/ EZN-D3	N-D3/ EZN-D3	N-D3/ EZN-D3	N-D3/ EZN-D3
				-3	-5	-3	-5		
11-1	PF8420M-D31101	油罐组件	OIL TANK ASSY	1	1	1	1	1	1
11-2		油罐座	OIL TANK	1	1	1	1	1	1
11-3		油罐盖	Tank cover	1	1	1	1	1	1
11-4	PF8420M-D31104	供油口	OIL FEEDING PIPE	3	3	3	3	3	3
11-5	PF8420M-D31105	螺栓M8×12	BOLT	1	1	1	1	1	1
11-6	PF8420M-D31106	油管接头	OIL TERMINAL	1	1	1	1	1	1
11-7	SCJ5013	油管 L=135	OIL TUBE, L=135	1	1	1	1	1	1
11-8	PF68425K61	棉油线	FELT	2	2	2	2	2	2
11-9	PF8420M-D3010108	螺钉M5×8	SCREW	1	1	1	1	1	1
11-10	PF5550111	橡皮塞12.5	RUBBER CUP, 12.5	1	1	1	1	1	1
11-11	PF68425K35	油毡	ROTARY HOCK SHAFT FELT	1	1	1	1	1	1
11-12	PF8420M-D31112	油毡组件	FELT ASSY	1	1	1	1	1	1
11-13	PF68425K61	油线6×6 L=1100	WICH	1	1	1	1	1	1
11-14	SCJ5010	油管 L=400	OIL TUBE, L=400	1	1	1	1	1	1
11-15	PF8420M-D31115	油毡压架	FELT SUPPCRT	1	1	1	1	1	1
11-16		尼龙扎带	FASTENING BAND	1	1	1	1	1	1
11-17	PF8420M-D31117	橡皮塞8	RUBBER CUP, 8	1	1	1	1	1	1
11-18	PF68425K27	O型圈 F38	O RING, P38	1	1	1	1	1	1
11-19	SCJ5013	油管 L=210	OIL TUBE, L=210	1	1	1	1	1	1
11-20	PF90000833	羊毛油线 L=400	WICH, L=400	1	1	1	1	1	1
11-21	PF8420M-D3010108	带垫圈螺栓M5×10DB	SCREW PAN(S/P WASHER)	1	1	1	1	1	1
11-22	PF8420M-D31122	集油器L	OLL BLOCK.L	1	1	1	1	1	1
11-23	PF8420M-D31123	油量调整螺栓	OIL ADJUSTING SCREW	1	1	1	1	1	1
11-24	PF8420M-D31124	O型圈 F4	O RING, P4	1	1	1	1	1	1
11-25	PF8420M-D31125	油嘴管	OIL FEEDING PIPE	1	1	1	1	1	1
11-26	PF8420M-D31126	集油器R	OLL BLOCK.R	1	1	1	1	1	1
11-27	PF8420M-D30846	螺钉M6×10	SCEW	3	3	3	3	3	3
11-28		平垫圈 M10	WASHER PLAIN M6	1	1	1	1	1	1

平缝系列>8420>11 供油润滑部件/Lubrication

序号 Ref.No	ERP编号 Part No	零件名称	NAME OF PARTS	数量 AMT					
				8420	8420	8450	8450	8720	8750
				N-D3/ EZN-D3	N-D3/ EZN-D3	N-D3/ EZN-D3	N-D3/ EZN-D3	N-D3/ EZN-D3	N-D3/ EZN-D3
				-3	-5	-3	-5		
11-29	PF8420M-D31129	橡皮垫片	RUBBER PACKING	2	2	2	2	2	2
11-30	PF68425K35	旋梭轴垫片	ROTARY HOOK SHAFT FELT	2	2	2	2	2	2
11-31		油毡	FELT	2	2	2	2	2	2
11-32	PF8420M-D31132	油管夹	TUBE CLIP	2	2	2	2	2	2
11-33	PF8420M-D31133	橡皮塞6.3	RUBBER CAP, 6.3	2	2	2	2	2	2
11-34	PF8420M-D31134	橡皮塞4.2	RUBBER CAP, 4.2	2	2	2	2	2	2
11-35	PF8420M-D31135	副油罐组件	SUB-TANK SET	1	1	1	1	1	1
11-36		副油罐盖	AUXILIARY OIL TANK COV	1	1	1	1	1	1
11-37		副油罐座	AUXILIARY OIL TANK SEA	1	1	1	1	1	1
11-38		油浮组件	OIL FLOAT ASSEMBLY	1	1	1	1	1	1
11-39		油浮	OIL FLOATATION	1	1	1	1	1	1
11-40		油浮导向杆	OIL FLOATING GUIDE ROD	1	1	1	1	1	1
11-41	PF8420M-D31141	油门垫片	VALVE PACKING	1	1	1	1	1	1
11-42		油管 L=400	OIL TUBE, L=400	1	1	1	1	1	1
11-43		油管 L=500	OIL TUBE, L=500	1	1	1	1	1	1
11-44	PF69349	油线 L=1250	WICK, L=1250	1	1	1	1	1	1
11-45	PF8420M-D31145	带垫圈螺栓M4×8DA	SCREW PAN(S/P WASHER)	2	2	2	2	2	2
11-46	PF8420M-D31146	副油管安装架A	SUB-TANK SETTING PLATE	1	1	1	1	1	1
11-47	PF8420M-D31147	副油管安装架B	SUB-TANK SETTING PLATE	1	1	1	1	1	1
11-48	PF8420M-D30538	螺钉M6×8	SCREW	2	2	2	2	2	2
11-49		油管 L=242	OIL TUBE, L=242	4	4	4	4	4	1
11-50	PF9990881	油管夹	TUBE CLIP	7	7	7	7	7	7
11-51	PF8420M-D31151	油管固定夹	TUBE SUPPORT	1	1	1	1	1	1
11-52	PF8420M-D31152	旋梭台垫片	ROTARY HOOK BASE D PAC	2	2	2	2	2	2
11-53	PF8420M-D31153	螺钉M4×16	SCREW	4	4	4	4	4	4
11-54	PF8420M-D31154	油毡	FEED REGULATOR FELT	1	1	1	1	1	1
11-55	PF8420M-D31155	油毡压板	FELT SUPPORT	1	1	1	1	1	1
11-56	PF8420M-D3C10108	螺钉M5×8	SCREW	1	1	1	1	1	1
11-57	PF68425K61	油线4X4 L=250	WICK, L=250	2	2	2	2	2	2
11-58	PF69349	油线4X4 L=350	WICK, L=350	1	1	1	1	1	1
11-59	PF8420M-D31159	油盒	OIL COVER	1	1	1	1	1	1
11-60	PF8420M-D31160	油管压架A	TUBE SUPPORT, A	1	1	1	1	1	1
11-61	PF8420M-D31161	油管压架B	TUBE SUPPORT, A	1	1	1	1	1	1
11-62	PF8420M-D31162	油管导向	TUBE GUIDE	1	1	1	1	1	1
11-63	PF8420M-D31163	油塞	OIL CAP	1	1	1	1	1	1
11-64	PF8420M-D31164	油毡	FELT	2	2	2	2	2	2
11-65	PF8450M-D31165	油管支架	TUBING STENT			1	1		1
11-66	PF8420M-D31153	螺钉M4×16	SCREW			1	1		1
11-67		油管 L=280	OIL TUBE, L=280			1	1		1
11-68	PF68425K61	油线 4×4 L=400	WICK L=400			1	1		1
11-69	PF8420M-D30719	螺钉 M4×6	SCREW	1	1	1	1	1	1
11-70	PF9990880	油管夹	TUBE CLIP	1	1	2	2	1	2

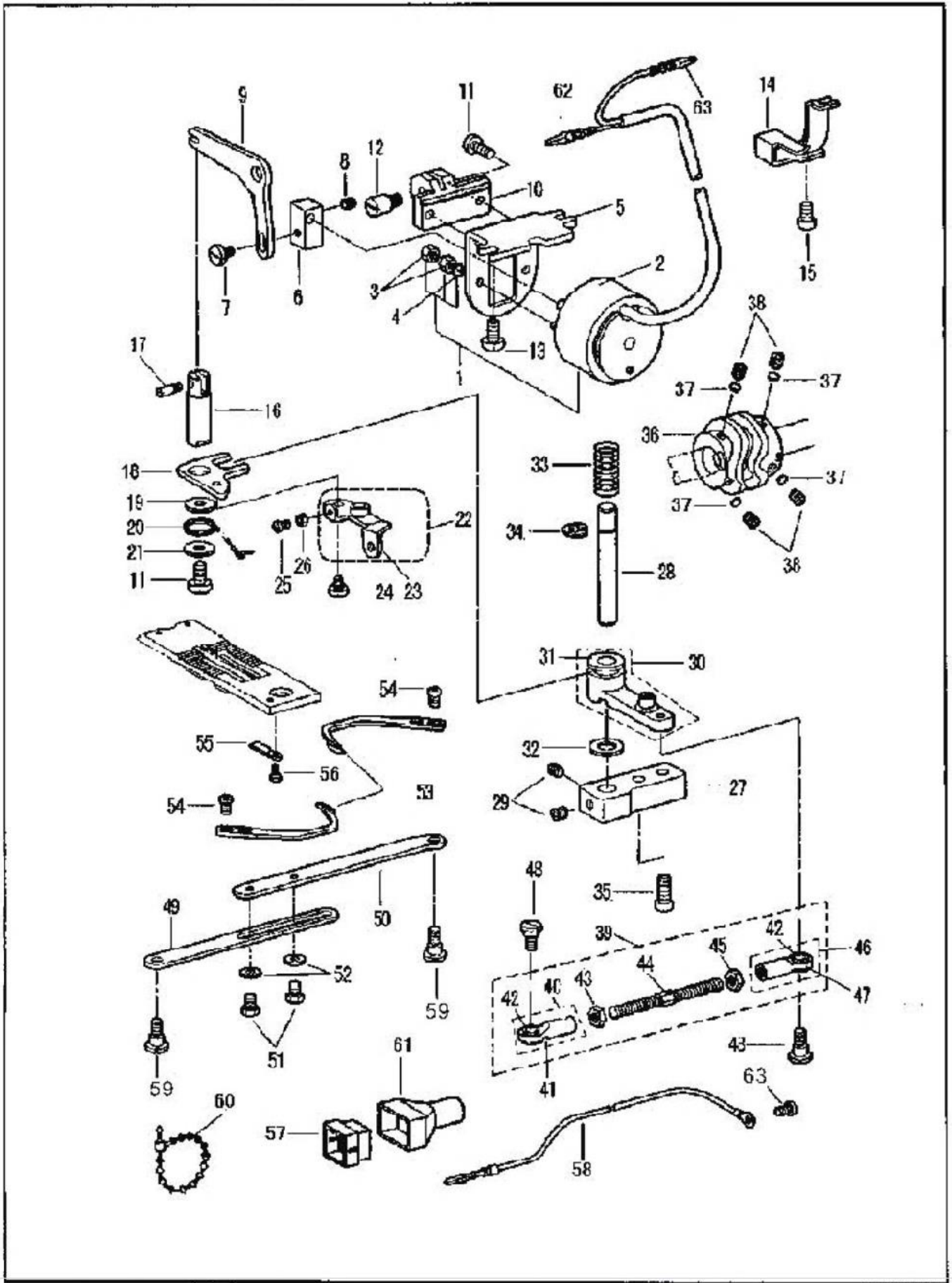
12 穿线部件/Therading mechanism



平缝系列>8420>12 穿线部件/Therading mechanism

序号 Ref.No	ERP编号 Part No	零件名称	NAME OF PARTS	数量 AWT					
				8420	8420	8450	8450	8720	8750
				N-D3/ EZN-D3	N-D3/ EZN-D3	N-D3/ EZN-D3	N-I3/ EZN-D3	N-D3/ EZN-D3	N-D3/ EZN-D3
				-3	-5	-3	-5		
12-1	PF8420M-D31201 (-3)	夹线器组件-3	UPPER THREAD TENSION ASSY-3	1		1			
	PF8420M-D31201	夹线器组件-5	UPPER THREAD TENSION ASSY-5		1		1	1	1
12-2		夹线弹簧	TENSION SPRING	2		2			
		夹线弹簧	TENSION SPRING		2		2	2	2
12-3		夹线安装板组件	TENSION PLATE ASSY	1	1	1	1	1	1
12-4		夹线安装板	TENSION PLATE	1	1	1	1	1	1
12-5		小夹线螺栓上	TENSION BOLT,U	1	1	1	1	1	1
12-6		小夹线螺栓下	TENSION BOLT,D	1	1	1	1	1	1
12-7		夹线螺栓左	TENSION BOLT,L	1	1	1	1	1	1
12-8		夹线螺栓右	TENSION BOLT,R	1	1	1	1	1	1
12-9		分线钉	PIN	1	1	1	1	1	1
12-10		过线管	Line pipe	2	2	2	2	2	2
12-11		调整短轴	TENSION STUD	1	1	1	1	1	1
12-12		挑线弹簧L	THREAD TAKE-UP SPRING, L	1	1	1	1	1	1
12-13		导向组件	GUIDE ASSY, T/TAKE-UP SPRING	2	2	2	2	2	2
12-14		过线板上片	ON THE WIRF BOARD	1	1	1	1	1	1
12-15		过线板下片	UNDER THE LINE PLATE	1	1	1	1	1	1
12-16		过线板连接块	CONNECTING BLOCK OF LINE PASSING BOA	1	1	1	1	1	1
12-17		垫片	SPACER	1	1	1	1	1	1
12-18		挑线弹簧R	THREAD TAKE-UP SPRING, R	1	1	1	1	1	1
12-19		轴套	COLLAR	1	1	1	1	1	1
12-20		定位圈	STOPPER SUPPORT	1	1	1	1	1	1
12-21		螺母M3	NUT M3	1	1	1	1	1	1
12-22		螺钉M3.5	SET SCREW, M3.5	1	1	1	1	1	1
12-23		固定螺栓	SPRING GUIDE SET SCREW	1	1	1	1	1	1
12-24		调节旋钮	ADJUSTING THUMB	1	1	1	1	1	1
12-25		轴套	COLLAR	1	1	1	1	1	1
12-26		调线螺母	TENSION NUT	1	1	1	1	1	1
12-27		弹簧限位板	STOPPER	1	1	1	1	1	1
12-28		螺钉M2.5×6	SCREW, FLAT M3.5×6	1	1	1	1	1	1
12-29		定位螺母M3.5	NUT, WHIRL-STOP M3.5	1	1	1	1	1	1
12-30		限位板	STOPPER	1	1	1	1	1	1
12-31		螺钉M2.5×5	SCREW, PAN M3.5×5	1	1	1	1	1	1
12-32		夹线盘	DISC, TENSION	4	4	4	4	4	4
12-33		夹线压盘	TENSION DISC PRESSER	2	2	2	2	2	2
12-34		调节弹簧垫圈	WASHER	2	2	2	2	2	2
12-35		调节螺母	TENSION NUT	2	2	2	2	2	2
12-36		小夹线盘	THREAD GUIDE DISC	4	4	4	4	4	4
12-37		小夹线弹簧A	PRE-TENSION SPRING, A	2	2	2	2	2	2
12-38		夹线螺母	TENSION NUT	1	1	1	1	1	1
12-39		松线板	TENSION RELEASE PLATE	1	1	1	1	1	1
12-40		螺钉M5×5	SET SOCKET (FT)M5×5	1	1	1	1	1	1
12-41		松线弹簧	T RELEASE SPRING	1	1	1	1	1	1
12-42		轴位螺钉M3.5	SHOULDER SCREW, M3.5	2	2	2	2	2	2
12-43		左松线销	TENSION RELEASE PIN, L	1	1	1	1	1	1
12-44		右松线销	TENSION RELEASE PIN, R	1	1	1	1	1	1
12-45		线导向 U	THREAD GUIDE, U	1	1	1	1	1	1
12-46		线调整架	THREAD QUANTITY ADJUST	1	1	1	1	1	1
12-47		螺钉M5×6	SCREW, PAN M3×6	1	1	1	1	1	1
12-48	PF8420M-D31248	线导向 M	THREAD GUIDE, M	1	1	1	1	1	1
12-49	PF8420M-D31249	过线勾油毡	FELT	1	1	1	1	1	1
12-50	PF8420M-D3010108	螺钉M5×8	SCREW FLAT M5×8	2	2	2	2	2	2
12-51	PF8420M-D31251	三眼线勾	THREAD RETAINER	2	2	2	2	2	2
12-52	PF8420M-D30210	螺钉M6×10	SET SCREW, SOCKET(FT)M6×10	2	2	2	2	2	2
12-53	PF8420M-D31253	线导向D	THREAD GUIDE, U	1	1	1	1	1	1
12-54	PF8420M-D31254	松线轴	BAR, TENSION RELEASE	1	1	1	1	1	1
12-55	PF8420M-D31255	螺钉M5×8	SCREW FLAT M5×8	2	2	2	2	2	2

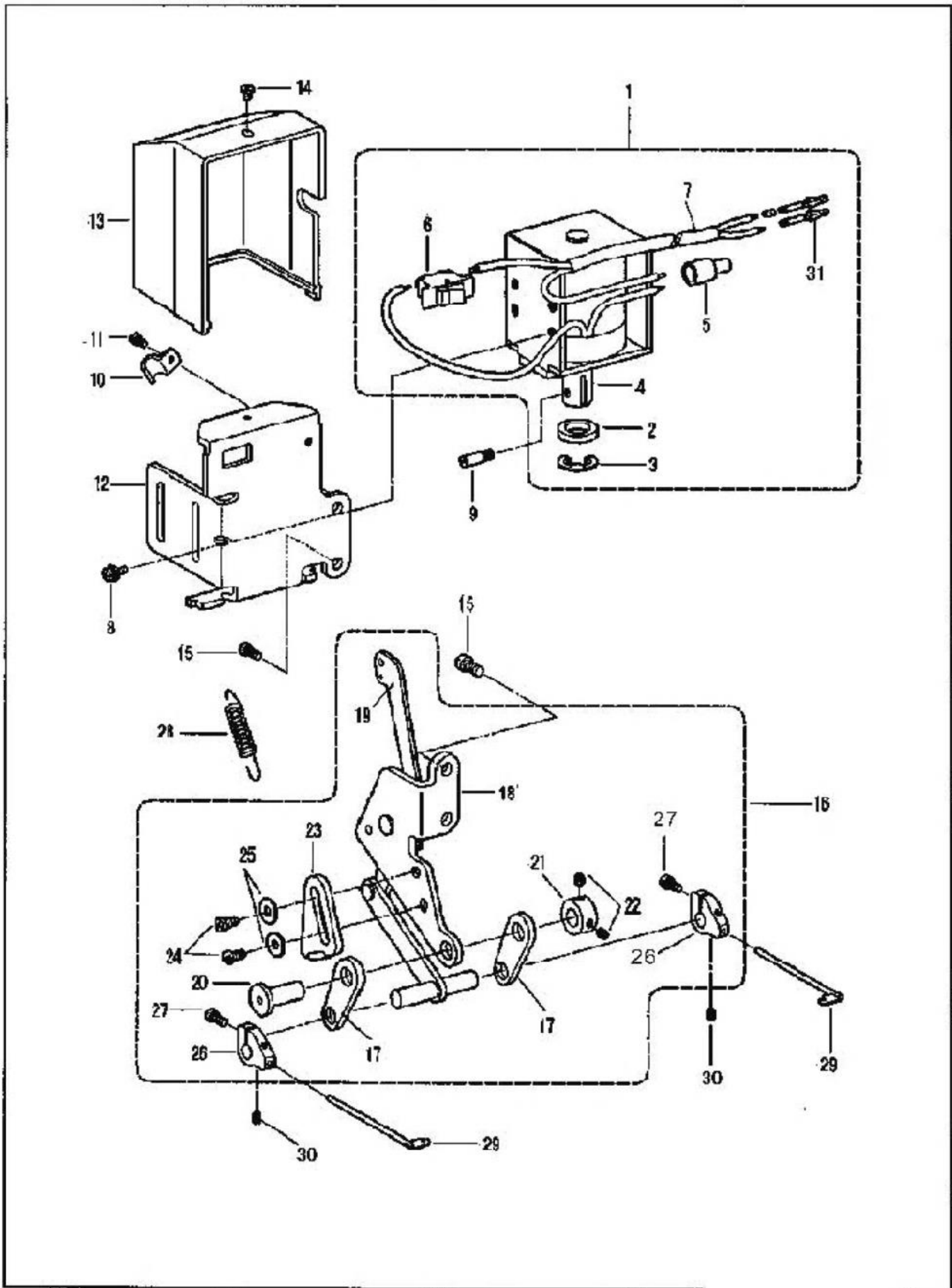
13 切线及松线装置部件/Thread trimmer mechanism



平缝系列)8420)13 切线及松线装置部件/Thread trimmer mechanism

序号 Ref.No	ERP编号 Part No	零件名称	NAME OF PARTS	数量 AMT						
				8420	8420	8450	8450	872C	8750	
				N-D3/ EZN-D3	N-D3/ EZN-D3	N-D3/ EZN-D3	N-E3/ EZN-D3	N-D3/ EZN-D3	N-D3/ EZN-D3	
				-3	-5	-3	-5			
13-1	PF842M-031301	切线电磁铁组件	THREAD TRIMMER SOLENOID	1	1	1	1	1	1	
13-2		电磁铁	SOLENOID	1	1	1	1	1	1	
13-3		六角螺母M4	NUT, M4	2	2	2	2	2	2	
13-4		弹簧垫圈	SPRING WASHER	2	2	2	2	2	2	
13-5		电磁铁架	SOLENOID BRACKET	1	1	1	1	1	1	
13-5		电磁铁接头	SOLENOID JOINT	1	1	1	1	1	1	
13-7		轴位螺钉M5	SHOULDER SCREW, M5	1	1	1	1	1	1	
13-8		螺钉M5×5	SET SCREW, SOCKET (FT)M5×5	1	1	1	1	1	1	
13-9		电磁铁杆	SOLENOID LEVER	1	1	1	1	1	1	
13-10		安装座	SOLENOID LEVER BRACKET	1	1	1	1	1	1	
13-11		螺钉M5×10	SCREW PAN M5×10	3	3	3	3	3	3	
13-12		电磁铁杆短轴	SOLENOID LEVER SHAFT	1	1	1	1	1	1	
13-13	PF842M-03084C	螺钉M6×10	SCREW PAN M6×10	2	2	2	2	2	2	
13-14	PF842M-031314	线夹	CORD HOLDER	1	1	1	1	1	1	
13-15	PF842M-03053E	螺钉M6×8	SCREW PAN M6×8	1	1	1	1	1	1	
13-16	PF842M-03131E	切线轴	DRIVING ROD	1	1	1	1	1	1	
13-17	PF842M-031317	销	PLINDER PIN	1	1	1	1	1	1	
13-18	PF842M-03131E	切线轴板	DRIVING ROD PLATE, TH	1	1	1	1	1	1	
13-19	PF842M-03131E	垫圈	WASHER	1	1	1	1	1	1	
13-20	PF842M-03132C	弹簧	SPRING, TENSION RELEASE LEVER	1	1	1	1	1	1	
13-21	PF842M-031321	垫圈	WASHER	1	1	1	1	1	1	
13-22	PF842M-03132E	松线杆组件	TENSION RELEASE LEVER ASSY	1	1	1	1	1	1	
13-23		松线杆	TENSION RELEASE LEVER	1	1	1	1	1	1	
13-24	PF842M-031324	轴位螺钉M4	SHOULDER SCREW, M4	1	1	1	1	1	1	
13-25	PF842M-03132E	螺钉M3.5×12	SCREW PAN M3.5×12	1	1	1	1	1	1	
13-26	PF842M-03132E	螺母M3.5	NUT, M3.5	1	1	1	1	1	1	
13-27	PF842M-031327	主杆轴架	MAIN LEVER SUPPORT SHAFT	1	1	1	1	1	1	
13-28	PF842M-03132E	主杆轴	MAIN LEVER SHAFT	1	1	1	1	1	1	
13-29	PF842M-03021C	螺钉M6×6	SET SCREW, SOCKET (FT)M6×6	2	1	1	1	1	1	
13-30	PF842M-03133C	主杆组件	MAIN LEVER ASSY, KNIFE	1	1	1	1	1	1	
13-31		主杆	MAIN LEVER	1	1	1	1	1	1	
13-32	PF03010650	橡胶垫圈	RUBBER	1	1	1	1	1	1	
13-33	PF842M-03133E	弹簧	MAIN LEVER SPRING	1	1	1	1	1	1	
13-34	SCJ1013	卡簧 E8	RETAINING RING E8	1	1	1	1	1	1	
13-35	PF190A0325	螺钉M6×16	SCREW PAN M6×16	2	2	2	2	2	2	
13-36	PF842M-03133E	切线凸轮	THREAD TRIMMER CAM	1	1	1	1	1	1	
13-37		垫片4.8	SPACER, 4.8	4	4	4	4	4	4	
13-38	PF842M-03021C	螺钉M6×10	SET SCREW, SOCKET (FT)M6×10	4	4	4	4	4	4	
13-39	PF842M-03133E	长度调节连杆组件	L-ADJUSTING CONNECTING ROD ASSY	1	1	1	1	1	1	
13-40		球节连杆组件L	ROUND JOINT ASSY, L	1	1	1	1	1	1	
13-41		球节连杆L	ROUND JOINT, L	2	2	2	2	2	2	
13-42		管套	BUSH	2	2	2	2	2	2	
13-43		左翼螺母M6	NUT, M6 LEFT	1	1	1	1	1	1	
13-44		长度调节连杆	L-ADJUSTING CONNECTING ROD	1	1	1	1	1	1	
13-45		螺母M6	NUT, M6	1	1	1	1	1	1	
13-46		球节连杆组件R	ROUND JOINT ASSY, R	1	1	1	1	1	1	
13-47		球节连杆R	ROUND JOINT, R	1	1	1	1	1	1	
13-48	PF842M-03134E	轴位螺钉M6	SHOULDER SCREW, M6	1	1	1	1	1	1	
13-49	PF842M-03134E	切线连杆R	T-TRIMMER CONNECTING ROD, R	1	1	1	1	1	1	
13-50	PF842M-03135C	切线连杆L	T-TRIMMER CONNECTING ROD, L	1	1	1	1	1	1	
13-51	PF842M-031351	六角螺栓M5×8	BOLT, M5×8	2	2	2	2	2	2	
13-52	SCJ3022	平垫圈S5	WASHER PLAIN M5	2	2	2	2	2	2	
13-53	PF842M-03135301	动刀	MOVABLE KNIFE	2	2	2	2	2	2	
13-54	PF842M-031354	螺钉SM4.37-40×4.2	SCREW, W/SOCKET SM4.37-40×4.2	4	2	2	2	2	2	
13-55	PF842M-03135301	定刀	FIXED KNIFE	2	2	2	2	2	2	
13-56	PF842M-03135E	轴位螺钉SM2.38	SHOULDER SCREW, SM2.38	2	2	2	2	2	2	
13-57	PF9000191	14芯插头	CONNECTOR 5557-14R	1	1	1	1	1	1	
13-58	PF842M-03135E	接地线组件	GROUND WIRE ASSY	1	1	1	1	1	1	
13-59	PF842M-03135E	螺钉M5×8	SCREW PAN M5×8	1	1	1	1	1	1	
13-60		线夹	BEAD BAND	1	1	1	1	1	1	
13-61	PF9000192	插头护套	SHEATH	1	1	1	1	1	1	
13-62		插针	PLUG PIN	2	2	2	2	2	2	
13-63	PF842M-03010108	螺钉	SCREW	2	2	2	2	2	2	

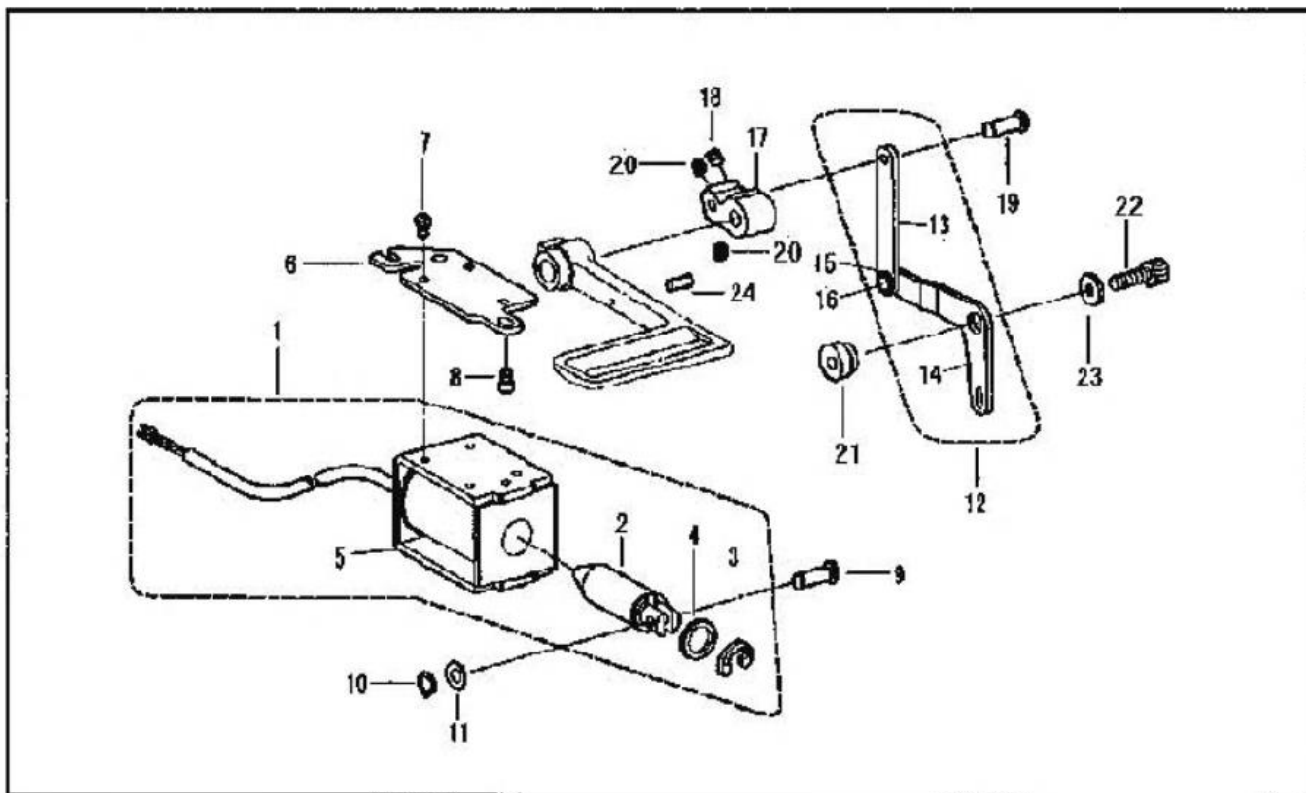
14 扫线装置 / THYEAD WIPER MECHANISM



平缝系列>8420>14 扫线装置 /THEAD WIPER MECHANISM

序号 Ref.No	ERP编号 Part No	零件名称	NAME OF PARTS	数量 AMT					
				8420	8420	8450	3450	8720	8750
				N-D3/ EZN-D3	N-D3/ EZN-D3	N-D3/ EZN-D3	N-D3/ EZN-D3	N-D3/ EZN-D3	N-D3/ EZN-D3
				-3	-5	-3	-5		
14-1	PF8420M-D31401	扫线电磁铁组件	THREAD WIPER SOLENOID ASSY	1	1	1	1	1	1
14-2		橡胶垫圈	PLUNGER RUBBER	1	1	1	1	1	1
14-3		卡簧 E9	RETAINING RING, E9	1	1	1	1	1	1
14-4		插帮式铁芯	PLUNGER	1	1	1	1	1	1
14-5		线头套管	TERMINAL CONNECTOR	1	1	1	1	1	1
14-6		挡线开关	THREAD WIPER SWITCH	1	1	1	1	1	1
14-7		扫线电磁铁导线		1	1	1	1	1	1
14-8		螺钉(带垫片) M4×10	SCREW, PAN(S/P W) M4×10	1	1	1	1	1	1
14-9		销	PIN	1	1	1	1	1	1
14-10		电线固定夹	CORD FOLDER	1	1	1	1	1	1
14-11		螺钉M4×6	SCREW, PAN M4×6	1	1	1	1	1	1
14-12		电磁铁安装板	SOLENOID HOLDING PLATE	1	1	1	1	1	1
14-13		电磁铁盖组件	SOLENOID COVER ASSY	1	1	1	1	1	1
14-14		螺钉M4×5	SCREW, BIND M4×5	1	1	1	1	1	1
14-15	PF8450M-D30404	螺钉M5×10	SCREW, PAN M5×10	2	2	2	2	2	2
14-16	PF8420M-D31416	电磁铁连杆组件	THREAD WIPER SOLENOID ASSY	1	1	1	1	1	1
14-17		连接板	THREAD WIPER LINK	2	2	2	2	2	2
14-18		动作传动板	SOLENOID LINK	1	1	1	1	1	1
14-19		电磁铁连杆	SOLENOID LINK	1	1	1	1	1	1
14-20		销	PIN	2	2	2	2	2	2
14-21		挡圈	SET SCREW COLLAR	1	1	1	1	1	1
14-22		螺钉M5×5	SET SCREW, SOCKET(FT) M5×5	1	1	1	1	1	1
14-23		定位板	STOPPER	1	1	1	1	1	1
14-24		螺钉M5×8	SCREW, PAN M5×8	2	2	2	2	2	2
14-25		平垫圈S5	WASHER, PLATN M5	2	2	2	2	2	2
14-26		扫线器架	THREAD WIPER SUPPORT	2	2	2	2	2	2
14-27		螺钉SM3. 18-40×12	SCREW, PAN SM3. 18-40×12	2	2	2	2	2	2
14-28	PF8420M-D31428	弹簧	THREAD WIPER SPRING	1	1	1	1	1	1
14-29		扫线器	THREAD WIPER	2	2	2	2	2	2
14-30		螺钉SM3. 18×4	SET SCREW, W/SOCKET SM3. 18×4	2	2	2	2	2	2
14-31		插针	PLUG PIN	2	2	2	2	2	2

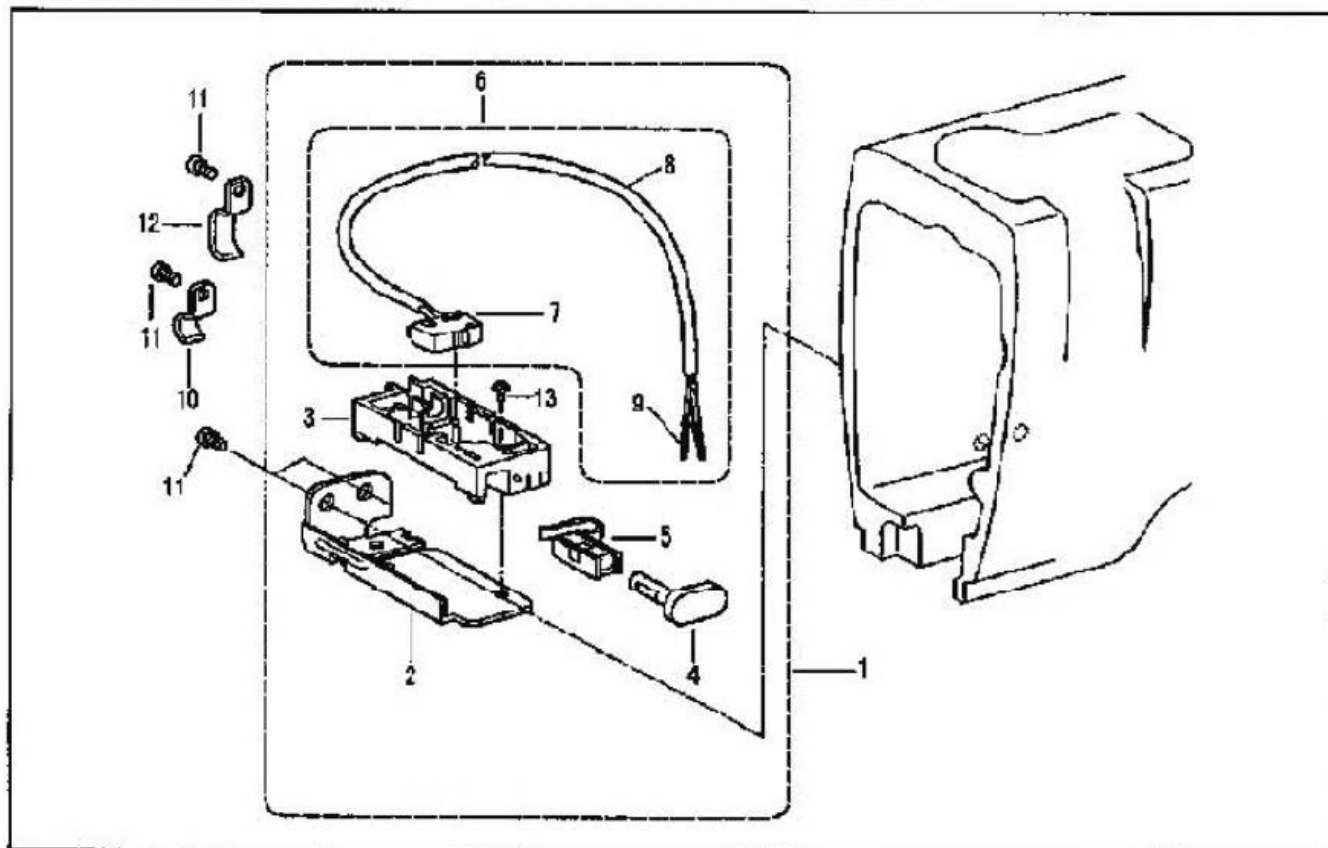
15 倒缝装置/QUICK REVERSE MECHANISM



平缝系列>8420>15 倒缝装置 /QUICK REVERSE MECHANISM

序号 Ref. No	ERP编号 Part No	零件名称	NAME OF PARTS	数量 AMT					
				8420	8420	8450	8450	8720	8750
				N-D3/ EZN-D3	N-D3/ EZN-D3	N-D3/ EZN-D3	N-D3/ EZN-D3	N-D3/ EZN-D3	N-D3/ EZN-D3
				-3	-5	-3	-5		
15-1	PF8420M-D31501	倒缝电磁铁组件	QUICK REVERSE SOLENOID ASSY	1	1	1	1	1	1
15-2		铁芯	PLUNGER	1	1	1	1	1	1
15-3		卡簧 E15	RETAINING RING, E15	1	1	1	1	1	1
15-4		橡胶垫	RUBBER STOPPER	1	1	1	1	1	1
15-5		倒缝电磁铁	QUICK REVERSE SOLENOID	1	1	1	1	1	1
15-6		电磁铁基座	SOLENOID BRACKET	1	1	1	1	1	1
15-7		螺钉M5×8	SCREW, PAN M5×8	2	2	2	2	2	2
15-8	PF8420M-D30846	螺钉M6×10	SCREW, PAN M6×10	2	2	2	2	2	2
15-9		接线销	PIN	2	2	2	2	2	2
15-10		轴用挡圈C6	RETAINING RING, EXTERNAL C6	1	1	1	1	1	1
15-11		垫圈6.5	WASHER, PLAIN 6.5	1	1	1	1	1	1
15-12	PF8420M-D31512	电磁铁曲杆组件	SOLENOID LEVER ASSY	1	1	1	1	1	1
15-13		电磁铁曲杆1	SOLENOID LEVER 1	1	1	1	1	1	1
15-14		电磁铁曲杆2	SOLENOID LEVER 2	1	1	1	1	1	1
15-15		垫圈	WASHER	2	2	2	2	2	2
15-16		铆钉	RIVET	1	1	1	1	1	1
15-17	PF8420M-D31517	倒缝曲柄	QUICK REVERSE LEVER	1	1	1	1	1	1
15-18	PF8420M-D30210	螺钉M6×10	SET SCREW, SOCKET (CN) M6×10	2	2	2	2	2	2
15-19	PF8420M-D31519	连接销	PIN	1	1	1	1	1	1
15-20	PF8420M-D30210	螺钉M6×6	SET SCREW, SOCKET (FT) M6×6	2	2	2	2	2	2
15-21	PF8420M-D31521	电磁铁曲杆轴	SOLENOID LEVER SHAFT	1	1	1	1	1	1
15-22	PF8420M-D3030129	螺钉M6×20	BOLT, SOCKET M6×20	1	1	1	1	1	1
15-23	PF8420M-D31523	垫圈6	WASHER, PLAIN 6	1	1	1	1	1	1
15-24		尼龙管13.5	NYLON TUBE, L=13.5	1	1	1	1	1	1

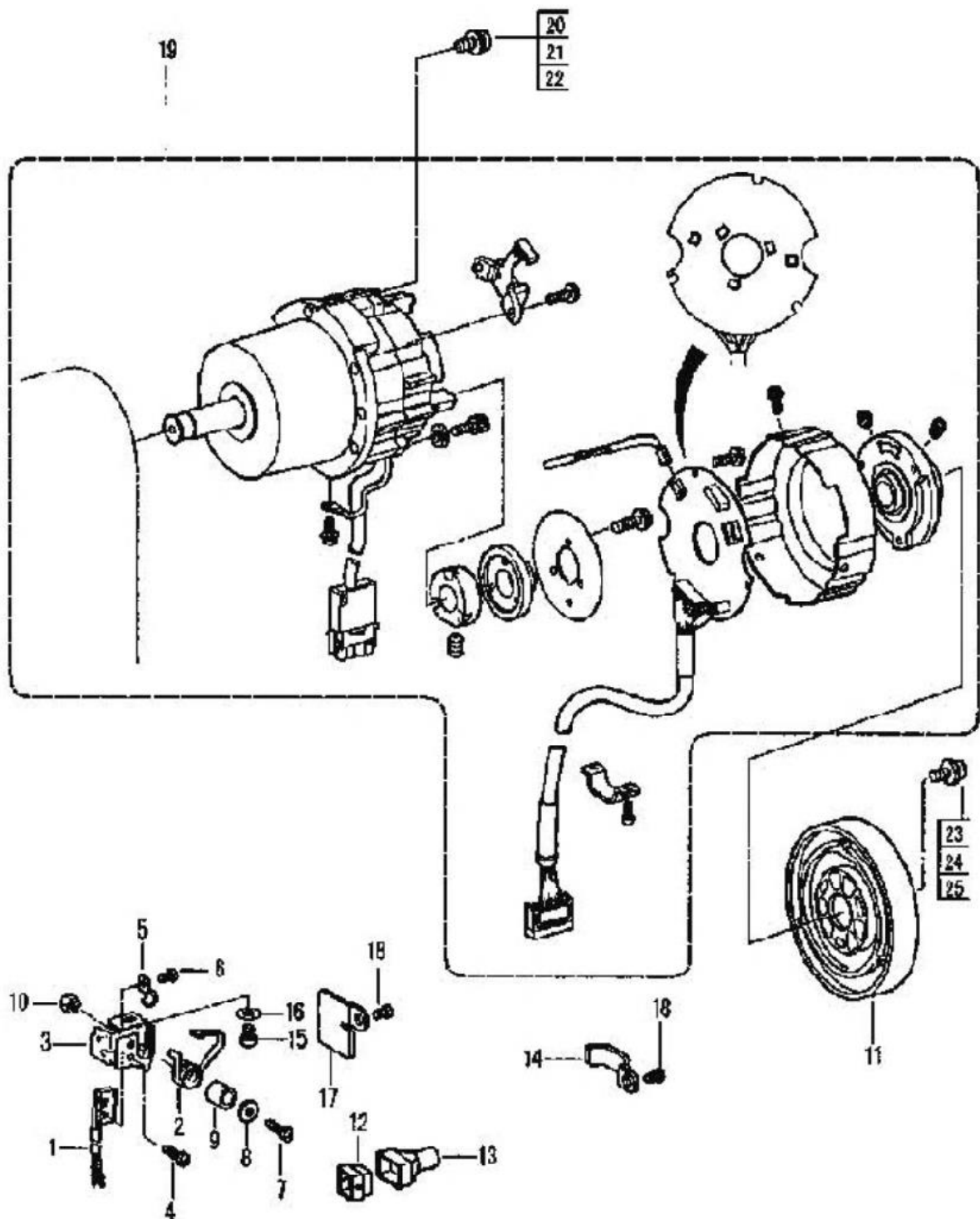
16 倒缝开关装置/QUICK REVERSE SWITCH MECANISM



平缝系列>8420>16 倒缝开关装置 /QUICK REVERSE SWITCH MECANISM

序号 Ref.No	ERP编号 Part No	零件名称	NAME OF PARTS	数量 AMT					
				8420	8420	8450	8450	8720	8750
				N-D3/ EZN-D3	N-D3/ EZN-D3	N-D3/ EZN-D3	N-D3/ EZN-D3	N-D3/ EZN-D3	N-D3/ EZN-D3
				-3	-5	-3	-5		
16-1	PF8420M-D31601	倒缝开关组件	REVERSE ACTUATOR ASSY	1	1	1	1	1	1
16-2		倒缝开关安装架	REVERSE SWITCH BRACKET	1	1	1	1	1	1
16-3		倒缝开关座	REVERSE SWITCH BRACKET	1	1	1	1	1	1
16-4		按钮	ACTUATOR	1	1	1	1	1	1
16-5		开关弹簧	REVERSE SWITCH SPRING	1	1	1	1	1	1
16-6		开关组件	R-SWITCH ASSY	1	1	1	1	1	1
16-7		开关	MICRO SWITCH	1	1	1	1	1	1
16-8		安全开关导线	WIRE	1	1	1	1	1	1
16-9		插针	PLUG PIN	2	2	2	2	2	2
16-10	PF99901511	线夹(短)	CORD HOLDER	1	1	1	1	1	1
16-11	PF8420M-D3010112	螺钉M5×6	SCREW, PAN M5×5	2	2	2	2	2	2
16-12	PF99901160	线夹(长)	CORD HOLDER	2	2	2	2	2	2
16-13		螺钉M3×6	SCREW, PAN M3×5	1	1	1	1	1	1

17 马达与安全开关 / THE MOTOR AND THE SAFETY SWITCH



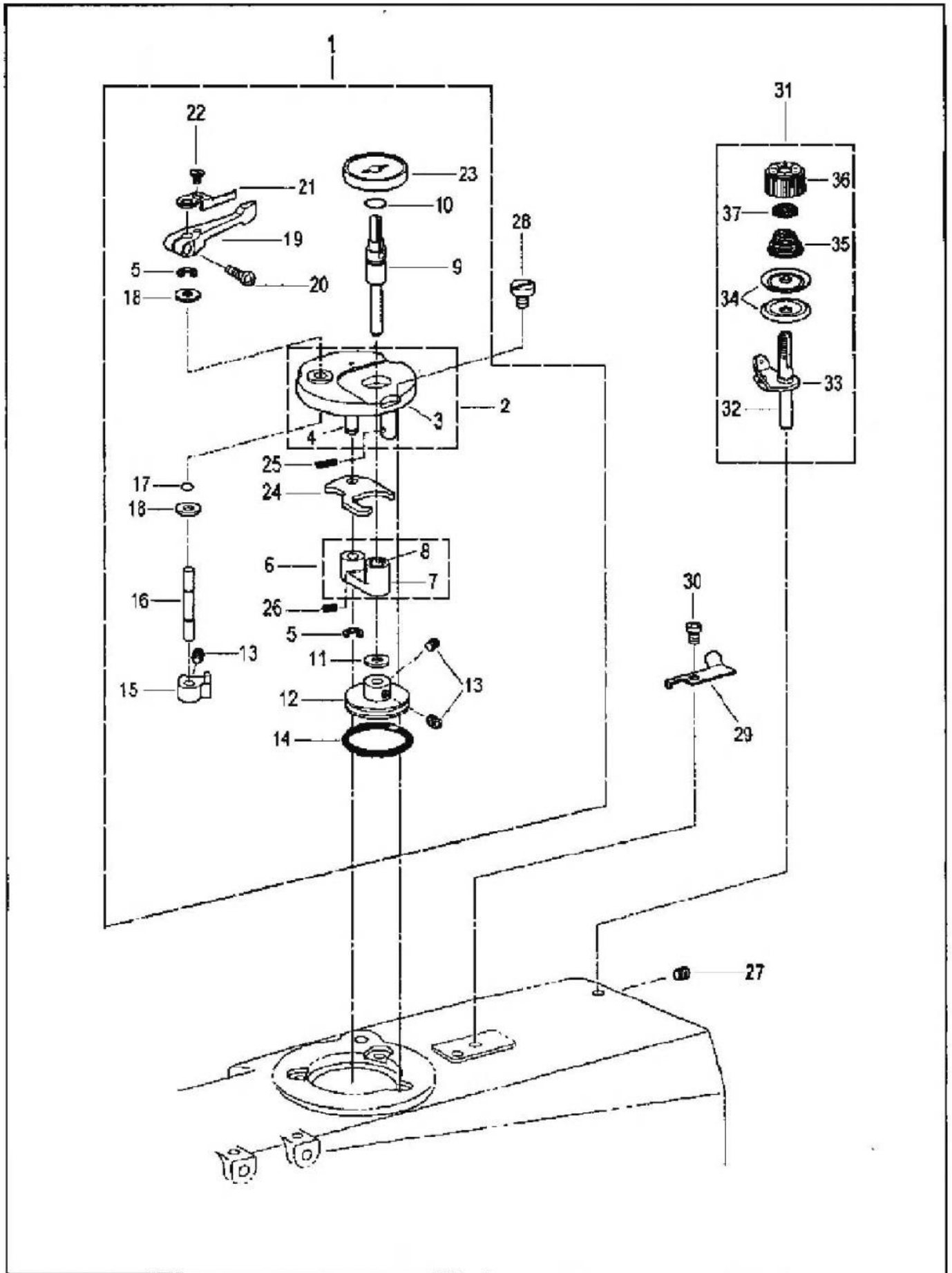
平缝系列>8420>17 马达与安全开关/The motor and the safety switch

序号 Ref. No	ERP编号 Part No	零件名称	NAME OF PARTS	数量 AMT					
				8420	8420	8450	8450	8720	8750
				8420	8420	8450	8450	8720	8750
				N-D3	N-D3	N-D3	N-D3	N-D3	N-D3
				-3	-5	-3	-5		
17-1	PF8420M-D31701	微动开关组件	MICRO SWITCH ASSY	1	1	1	1	1	1
17-2		板弹簧	SWITCH PLATE SPRING	1	1	1	1	1	1
17-3		开关基座	SWITCH BASE	1	1	1	1	1	1
17-4		螺钉M2×8	SCREW, PAN M2×8	1	1	1	1	1	1
17-5		电线固定夹	CORD HOLDER	1	1	1	1	1	1
17-6		螺钉M4×6	SCREW, PAN M4×6	1	1	1	1	1	1
17-7		螺钉M4×12	SCREW, PAN M4×12	1	1	1	1	1	1
17-8		平垫圈4	WASHER, PLAIN M4	1	1	1	1	1	1
17-9		衬套	SPACER	1	1	1	1	1	1
17-10		六角螺母M4	NUT, M4	1	1	1	1	1	1
17-11	PF8420M-D31711L	手轮	FULLEY, CDD	1	1	1	1	1	1

平缝系列>8420>17 马达与安全开关/The motor and the safety switch

序号 Ref. No	ERP编号 Part No	零件名称	NAME OF PARTS	数量 AMT					
				8420	8420	8450	8450	8720	8750
				8420	8420	8450	8450	8720	8750
				N-D3/ EZN-D3	N-D3/ EZN-D3	N-D3/ EZN-D3	N-D3/ EZN-D3	N-D3/ EZN-D3	N-D3/ EZN-D3
				-3	-5	-3	-5		
17-11	PF8420M-D31711L	手轮(黑色)	FULLEY, CDD	1	1	1	1	1	1
17-12	PF8420M-D31712	四芯插头	CONNECTOR	1	1	1	1	1	1
17-13	PF8420M-D31713	护套	SHEATH	1	1	1	1	1	1
17-14	PF99901160	电线夹	CORD HOLDER	1	1	1	1	1	1
17-15	PF8420M-D30538	螺钉M6×8	SCREW, PAN M6×8	1	1	1	1	1	1
17-16	PF8420M-D31716	平垫圈S6	WASHER, PLAIN S6	1	1	1	1	1	1
17-17	PF8420M-D31717	电线固定夹	CORD HOLDER	1	1	1	1	1	1
17-18	PF8420M-D3010108	螺钉M5×8	SCREW, PAN M5×8	2	2	2	2	2	2
17-19	PF8420M-D31719	电机组件	MOTOR ASSY, CDD-HT	1	1	1	1	1	1
17-20	PF9990104	螺钉M5×18	SCREW, PAN M5×18	1	1	1	1	1	1
17-21		弹簧垫圈 5	WASHER SPRING 5	1	1	1	1	1	1
17-22		平垫圈 5	WASHER, PLAIN 5	1	1	1	1	1	1
17-23	SCJ2039	螺栓M4×10	SCREW, PAN M4×10	3	3	3	3	3	3
17-24		弹簧垫圈 4	WASHER SPRING 4	3	3	3	3	3	3
17-25		平垫圈 4	WASHER, PLAIN 4	3	3	3	3	3	3

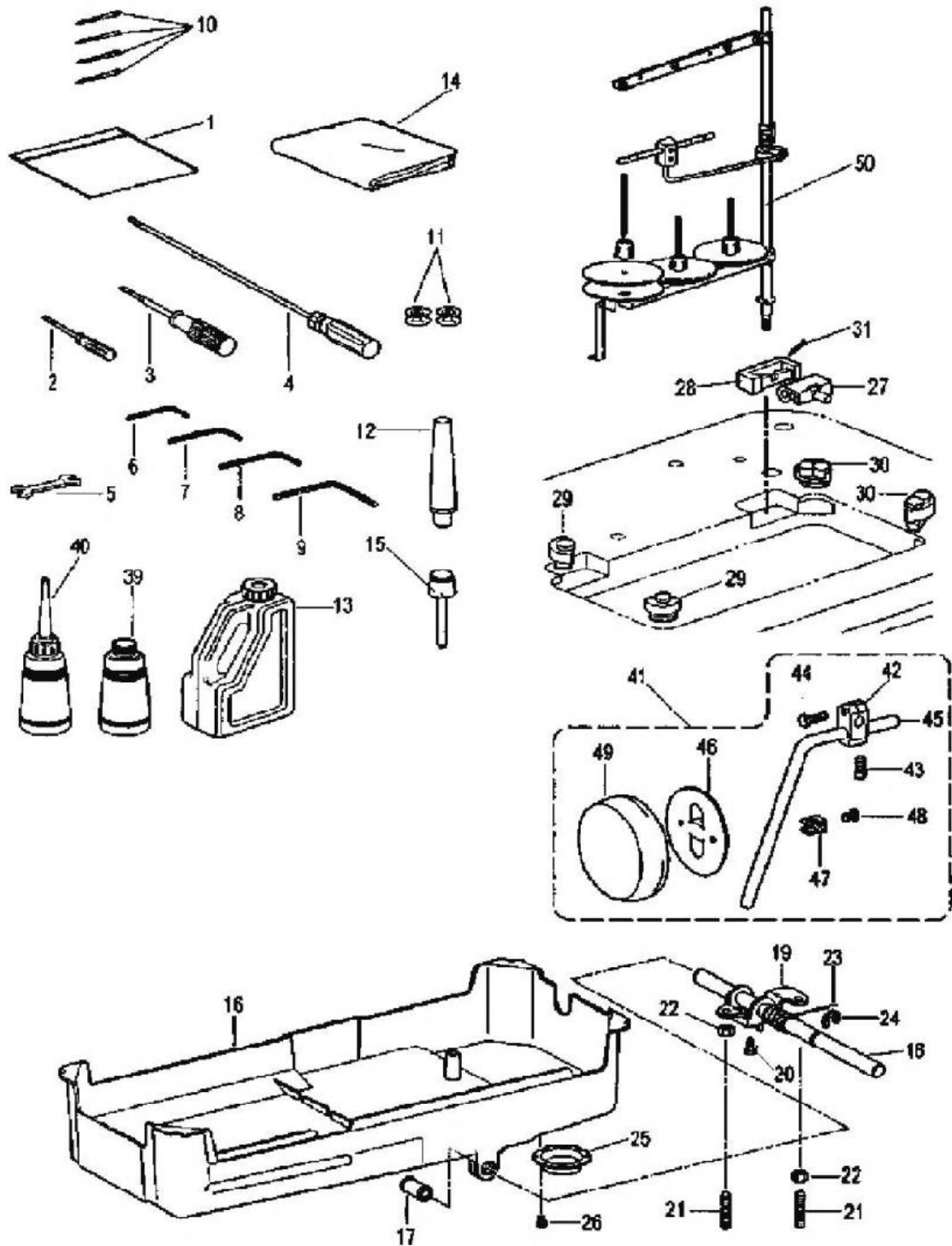
18 卷线部件/Bobbin winder mechanism



平缝系列>8420>18 卷线部件/Bobbin winder mechanism

序号 Ref.No	ERP编号 Part No	零件名称	NAME OF PARTS	数量 AMT					
				8420	8420	8450	8450	8720	8750
				N-D3/ EZN-D3	N-D3/ EZN-D3	N-D3/ EZN-D3	N-D3/ EZN-D3	N-D3/ EZN-D3	N-D3/ EZN-D3
				-3	-5	-3	-5		
18-1	FF99901001	绕线器组件	BOBEIN WINDER UNIT	1	1	1	1	1	1
18-2		绕线台组件	BOBEIN WINDER CAM ASSY	1	1	1	1	1	1
18-3		绕线台	BOBEIN WINDER UNIT	1	1	1	1	1	1
18-4		绕线台轴	BOBEIN WINDER UNIT	1	1	1	1	1	1
18-5		挡圈 F4	RETAINING RING, F4	1	1	1	1	1	1
18-6		绕线轴基座组件	B-WINDER SHAFT SUPPORT ASSY	1	1	1	1	1	1
18-7		绕线轴基座	B-WINDER SHAFT SUPPORT	1	1	1	1	1	1
18-8		绕线轴轴承组件	B-WINDER SHAFT SUPPORT	1	1	1	1	1	1
18-9		绕线轴	BOBEIN WINDER SHAFT	1	1	1	1	1	1
18-10		O型圈 P9	O RING,P9	1	1	1	1	1	1
18-11		平垫圈 S6	WASHER,PLAIN S6	1	1	1	1	1	1
18-12		绕线轮	BOBEIN WINDER WHEEL	1	1	1	1	1	1
18-13		螺钉M5×5	SET SCREW, SOCKET (FT) M5×5	2	2	2	2	2	2
18-14		O型圈 29	RUBBER RING, 29	1	1	1	1	1	1
18-15		核芯夹凸轮	BOBEIN PRESSER CAM	1	1	1	1	1	1
18-16		核芯夹轴	BOBEIN WINDER ARM SHAFT	1	1	1	1	1	1
18-17		O型圈 S5	O RING,S5	1	1	1	1	1	1
18-18		平垫圈 S6	WASHER,PLAIN S6	2	2	2	2	2	2
18-19		核芯压臂柄	BOBEIN PRESSER ARM	1	1	1	1	1	1
18-20		螺钉M4×12	SCREW, PAN M4×12	1	1	1	1	1	1
18-21		核芯夹	BOBEIN PRESSER	1	1	1	1	1	1
18-22		螺钉M4×5	SCREW, M4×5	1	1	1	1	1	1
18-23		核芯座	BOBEIN SUPPORT	1	1	1	1	1	1
18-24		卷线杠杆	BOBEIN WINDER LEVER	1	1	1	1	1	1
18-25		弹簧	SPRING	1	1	1	1	1	1
18-26		弹簧	BOBEIN WINDER BASE SPRING	1	1	1	1	1	1
18-27	FF8420M-D30521	固定螺钉M5×5	SET SCREW, SOCKET (FT) M5×5	1	1	1	1	1	1
18-28	FF8420M-D31828	固定螺钉	BOBEIN WINDER FIXED SCREW	3	3	3	3	3	3
18-29	FF99901026	切刀	KNIFE	1	1	1	1	1	1
18-30	FF8420M-D3010112	螺钉M5×6	SCREW, PAN M5×6	1	1	1	1	1	1
18-31	FF99901028	夹线器组件	BOBEIN WINDER TENSION ASSY	1	1	1	1	1	1
18-32		夹线器轴	BOBEIN WINDER SHAFT	1	1	1	1	1	1
18-33		过线板	Wire passing board	1	1	1	1	1	1
18-34		夹线板	DISC, TENSION	2	2	2	2	2	2
18-35		夹线弹簧	TENSION SPRING	1	1	1	1	1	1
18-36		夹线螺母	TENSION NUT	1	1	1	1	1	1
18-37		止动垫圈	WASHER	1	1	1	1	1	1

19 附件/Accessories

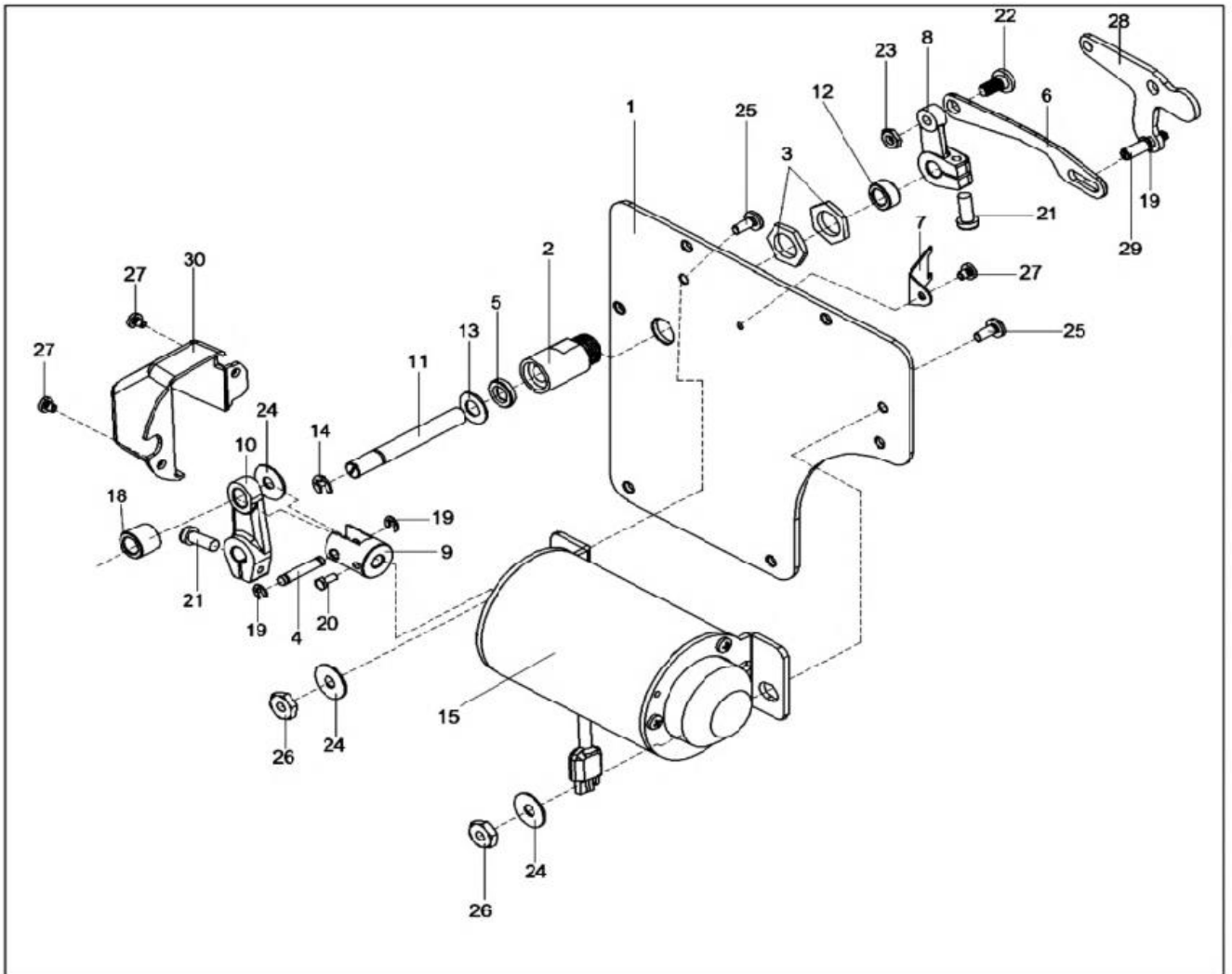


平缝系列>E420>19 附件/Accessories

序号 Ref.No	ERP编号 Part No	零件名称	NAME OF PARTS	数量 AMT					
				8420	8420	8450	8450	8720	8750
				N-D3/	N-D3/	N-D3/	N-D3/	N-D3/	N-D3/
				EZN-D3	EZN-D3	EZN-D3	EZN-D3	EZN-D3	EZN-D3
				-3	-5	-3	-5		
19-01	FF5550102301	附属品塑料袋	ACCESSORY BAG	1	1	1	1	1	1
19-02	FF55501013	小螺丝刀1.9X52	SCREW-DRIVER, 1.9×52	1	1	1	1	1	1
19-03	FF68425Z103	螺丝刀3.4X70	SCREW-DRIVER, 3.4×70	1	1	1	1	1	1
19-04	FF68425Z104	大螺丝刀4.7X250	SCREW-DRIVER, 4.7×250	1	1	1	1	1	1
19-05	FF7811937	双头扳手8×9	WRENCH, 8×9	1	1	1	1	1	1
19-06	FF68425Z108	内六角扳手 2	HEXAGONAL WRENCH, 2	1	1	1	1	1	1
19-07	EF700M1923	内六角扳手 2.5	HEXAGONAL WRENCH, 2.5	1	1	1	1	1	1
19-08	FF68425Z109	内六角扳手 3	HEXAGONAL WRENCH, 3	1	1	1	1	1	1
19-09	EF700M1912	内六角扳手 5	HEXAGONAL WRENCH, 5	1	1	1	1	1	1
	FFDTP514	机针 DP×5 14#	NEEDLE DP×5 14#	2		2			
19-10	FFDTP519	机针 DP×5 19#	NEEDLE DP×5 19#		2		2		
	FFDTP522	机针 DP×5 22#	NEEDLE DP×5 22#					2	2
19-11	FF68425H41	梭芯	BOBBIN	2	2	2	2		
	FF68725H41	梭芯	BOBBIN					2	2
19-12	FF68425Z113	机头支柱	HEAD REST	2	2	2	2	2	2
19-13	FF55501022	油箱组件	OIL TANK ASSY	1	1	1	1	1	1
19-14	FFPC1062	机头罩	HEAD COVER	1	1	1	1	1	1
19-15	FF68425Z120	膝控提升顶杆	KNEE LIFTER COMPLYING BAR	1	1	1	1	1	1
19-16	FF8420M-D31916	油盘	OIL PAN	1	1	1	1	1	1
19-17	FF68425Z12101A	轴套	BUSH	2	2	2	2	2	2
19-18	FF8420M-D31918	膝控横轴	KNEE LIFTER SHAFT	1	1	1	1	1	1
19-19	FF8420M-D31919	膝控	KNEE LIFTER	1	1	1	1	1	1
19-20		螺栓M6	BOLT, M6	1	1	1	1	1	1
19-21		螺钉M6×19	SET SCREW, M6×19	2	2	2	2	2	2
19-22		六角螺母M6	NUT, M6	2	2	2	2	2	2
19-23	FF68425Z12107	复位弹簧	TWIST, SPRING	1	1	1	1	1	1
19-24	SCJ1014	挡圈 E10	RETAINING RING, E10	1	1	1	1	1	1
19-25	FF68425Z12109	放油口	DRAIN	1	1	1	1	1	1
19-26	FF8420M-D31926	螺钉M4×5	SCREW, M4×5	2	2	2	2	2	2
19-27	FF5550101	机头铰链	HEAD HINGE	2	2	2	2	2	2
19-28	FF68425Z127	机头铰链套	RUBBER CUSHION	2	2	2	2	2	2
19-29	FF99901710	头部防震垫	HEAD CUSHION	2	2	2	2	2	2
19-30	FF99901711	头部防震垫	HEAD CUSHION	2	2	2	2	2	2
19-31	FF5550910	钉	NAIL	4	4	4	4	4	4
19-36		螺钉M5×8	SCREW, PAN M5×8	4	4	4	4	4	4
19-37		圆头木螺钉M5.5×20	WOOD SCREW, ROUND M5.5×20	2	2	2	2	2	2
19-38		平垫圈	WASHER	2	2	2	2	2	2
19-39	FF68425Z134	油壶	OILER	1	1	1	1	1	1
19-40	FF68425Z133	油壶组件	OILER ASSY	1	1	1	1	1	1
19-41		膝控组件	KNEE LIFTER ASSY	1	1	1	1	1	1
19-42	FF5550919	膝控接头	KNEE LIFTER BRACKET	1	1	1	1	1	1
19-43	FF5550930	四角螺栓SM7.94	BOLT SQUARE SM7.94	1	1	1	1	1	1
19-44	FF5550930	螺栓SM5.95-28×20	BOLT SM5.95-28×20	1	1	1	1	1	1
19-45	FF5550922	膝控整轴	KNEE LIFTER BAR	1	1	1	1	1	1
19-46	FF5550925	膝控碰块	KNEE LIFTER PLATE	1	1	1	1	1	1
19-47	FF5550926	膝控碰块架	KNEE LIFTER PLATE STOPPER	1	1	1	1	1	1
19-48	FF5550927	螺栓SM5.95-28×8	BOLT SM5.95-28×8	1	1	1	1	1	1
19-49	FF5550924	膝控碰块盖	KNEE LIFTER PLATE COVER	1	1	1	1	1	1
19-50	FF8420M-D31950	线架组件	COTTON STAND ASSY 3DFTHF	1	1	1	1	1	1
19-51	FF8420M-D31951	MA79防护罩座	MA79 SHIELD SEAT	1	1	1	1	1	1
19-52	FF8420M-D31952	防护罩支架	SHIELD SUPPORT	1	1	1	1	1	1
19-53	FF8420M-D31953	8008观察镜	8008 SIGHT GLASS	1	1	1	1	1	1
19-54	FF1310D106	螺钉	SCREW	2	2	2	2	2	2
19-55	EF700S038	螺钉	SCREW	1	1	1	1	1	1

20. 自动抬压脚组件 (选装部分)

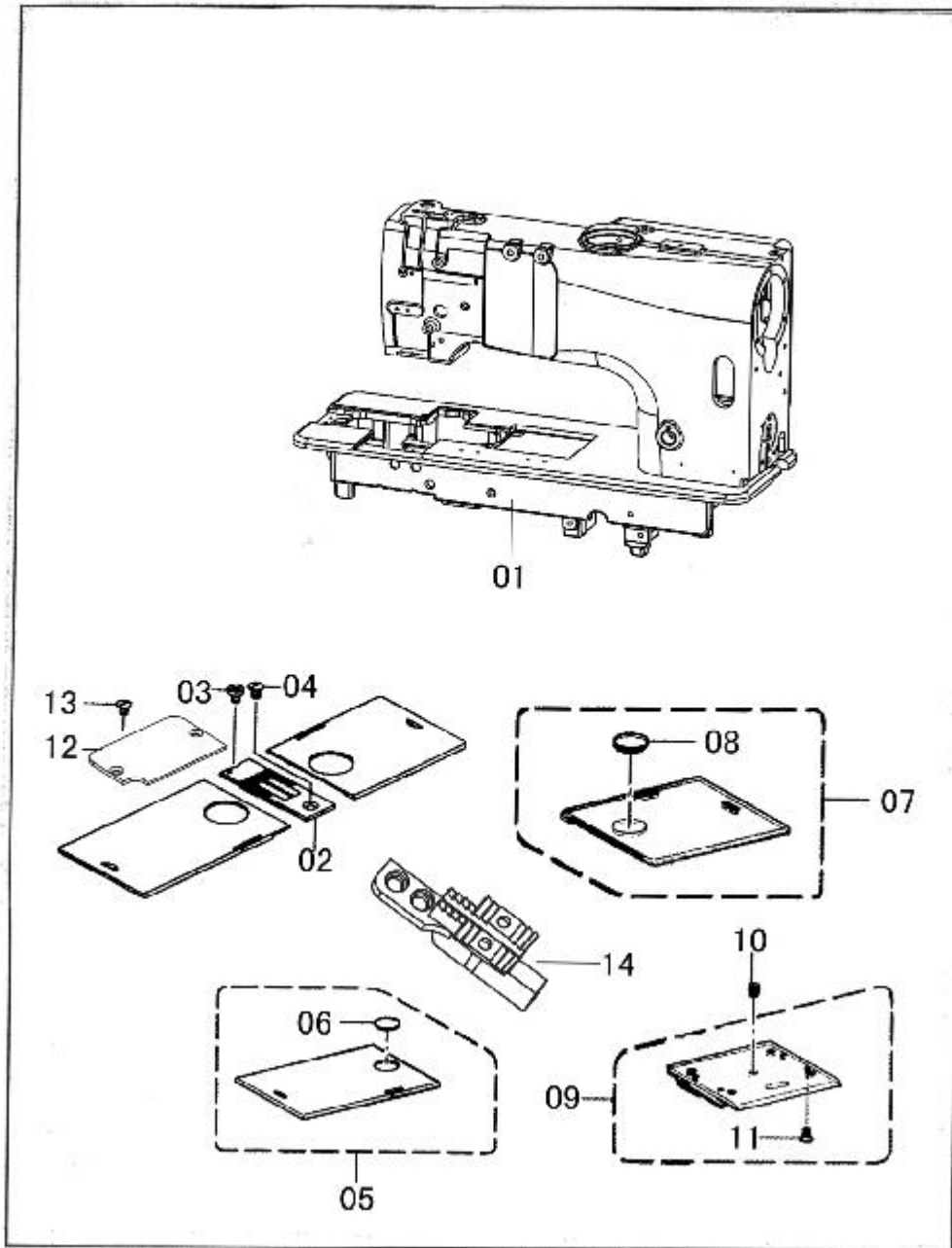
Automatic Presser Foot Lifter Components (Optional)



平缝系列>8420>20. 自动抬压脚组件(选装部分)Automatic foot presser assembly

序号 Ref. No	ERP编号 Part No	零件名称	NAME OF PARTS	数量 AMT					
				8420	8420	8450	8450	8720	8750
				N-D4/ EZN-D4	N-D4/ EZN-D4	N-D4/ EZN-D4	N-D4/ EZN-D4	N-D4/ EZN-D4	N-D4/ EZN-D4
				-3	-5	-3	-5		
20-1	PF8420M-D4200101	后窗板	REAR WINDOW PLATE	1	1	1	1	1	1
20-2	PF8420M-D42002	抬压轴套	PRESSER AXIS COVER	1	1	1	1	1	1
20-3	PF8420M-D42003	螺母M16×1.5	SCREW NUT M16×1.5	2	2	2	2	2	2
20-4	PF8420M-D42004	传动销	DRIVE PIN	1	1	1	1	1	1
20-5	PF8420M-D42005	密封圈	SEALS	1	1	1	1	1	1
20-6	PF8420M-D42006	抬压连杆	PRESSER ROD	1	1	1	1	1	1
20-7	PF8420M-D42007	连杆支座	CONNECTING ROD BEARING	1	1	1	1	1	1
20-8	PF8420M-D42008	抬压前曲柄	PRESSER FRONT CRANK	1	1	1	1	1	1
20-9	PF8420M-D42009	抬压接柄	PRESSER ADAPTERS	1	1	1	1	1	1
20-10	PF8420M-D42010	抬压曲柄	PRESSER CRANK	1	1	1	1	1	1
20-11	PF8420M-D42011	传动轴	TRANSMISSION SHAFT	1	1	1	1	1	1
20-12	PF8420M-D42012	支撑套	SUPPORT SLEEVES	1	1	1	1	1	1
20-13	PF8420M-D42013	平垫圈	FLAT WASHERS	1	1	1	1	1	1
20-14	PF8420M-D42014	开口档圈 E7	OPEN RING	1	1	1	1	1	1
20-15	PF8420M-D42015	抬压脚电磁铁组件	FOOT PRESSER SOLENOID ASSEMBLY	1套	1套	1套	1套	1套	1套
20-18	PF8420M-D42018	衬套	BUSHING	1	1	1	1	1	1
20-19	PF8420M-D42019	开口档圈 E4	OPEN RING	3	3	3	3	3	3
20-20	PF8420M-D42020	开槽六角螺钉	HEXAGON SCREW	1	1	1	1	1	1
20-21	PF8420M-D42021	内六角圆柱头螺钉	HEXAGON SOCKET HEAD CAP SCREWS	2	2	2	2	2	2
20-22	PF8420M-D42022	轴位螺钉	AXIAL SCREW	1	1	1	1	1	1
20-23	PF8420M-D42023	六角螺母	HEX NUTS	1	1	1	1	1	1
20-24	PF8420M-D42024	平垫圈	FLAT WASHERS	3	3	3	3	3	3
20-25	PF8420M-D42025	螺钉	SCREW	2	2	2	2	2	2
20-26	PF8420M-D42026	六角螺母	HEX NUTS	2	2	2	2	2	2
20-27	SCJ2038	螺钉	SCREW	2	2	2	2	2	2
20-28	PF8420M-D42028	膝控提升杠杆	KNEE-CONTROL LIFT LEVER	1	1	1	1	1	1
20-29-1	PF8420M-D4202901	螺钉销	SCREW PIN	1	1	1	1	1	1
20-29	PF8420M-D42029	螺钉销组件	SCREW PIN ASSEMBLY	1	1	1	1	1	1
20-30	PF8420M-D42030	罩壳	HOUSING	1	1	1	1	1	1

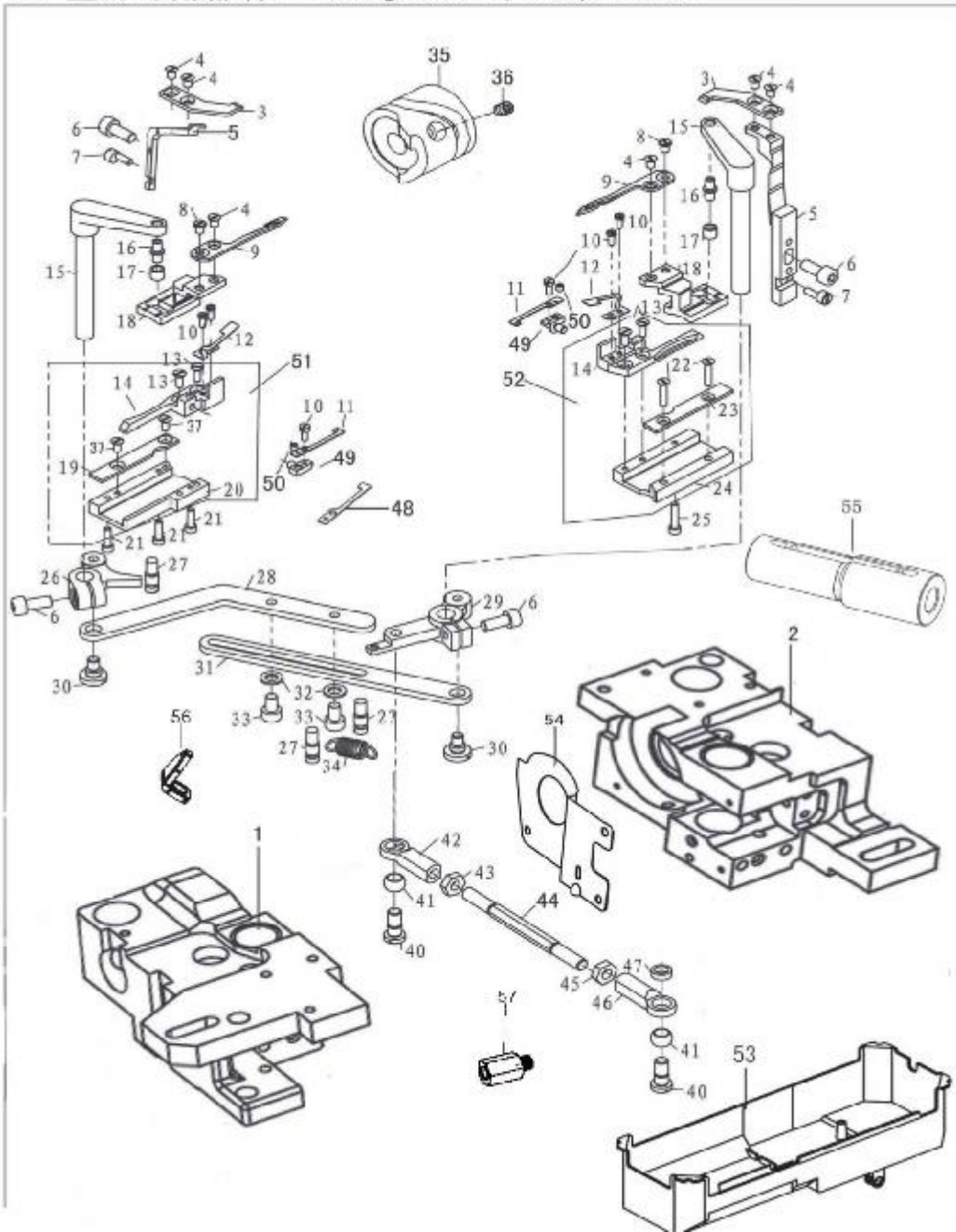
21 直刀专用部件一 (Straight knife special parts one)



21 直刀专用部件一 (Straight knife special parts one)

序号 Ref. No	ERP编号 Part No	零件名称	NAME OF PARTS	数量 AMT					
				8420EZN-D3		8450EZN-D3		8720EZN-D3	8750EZN-D3
				3	5	3	5		
1	PK2101L	机壳	ARM BED	1	1			1	
	PK210101L	机壳	ARM BED			1	1		1
2	PK2102	针板 (1/4)	NEEDLE FLATE	1	1	1	1		
	PK2102-L	针板 (1/4) H	NEEDLE FLATE					1	1
3	PK2103	螺钉	SCREW, FLAT	1	1	1	1	1	1
4	PK2104	螺钉	SCREW, FLAT	1	1	1	1	1	1
5	PK2105P	左推板组件	SLIDE PLATE, LA ASSY	1	1	1	1	1	1
6	PK2106	推板窗	BOBBIN WINDOW	1	1	1	1	1	1
7	PK2107P	右推板组件	SLIDE PLATE ASSY, R	1	1	1	1	1	1
1	PK2108	推板窗	BOBBIN WINDOW	1	1	1	1	1	1
9	PK2109P	前推板组件	SLIDE PLATE F ASSY	1	1	1	1	1	1
10	PK2110	螺钉	SCREW	1	1	1	1	1	1
11	PK2111	螺钉	SCREW	4	4	4	4	4	4
12	PK2112	剪线盖板	COVER FOR TRIMMING	1	1	1	1	1	1
13	PK2113	一字沉头螺钉 M3×6	WORD SCREW M3×6	2	2	2	2	2	2
14	PK2114-M	送布牙 Φ2.0	FED DOG	1	1	1	1		
	PK2114-L	送布牙 Φ2.4	FED DOG					1	1

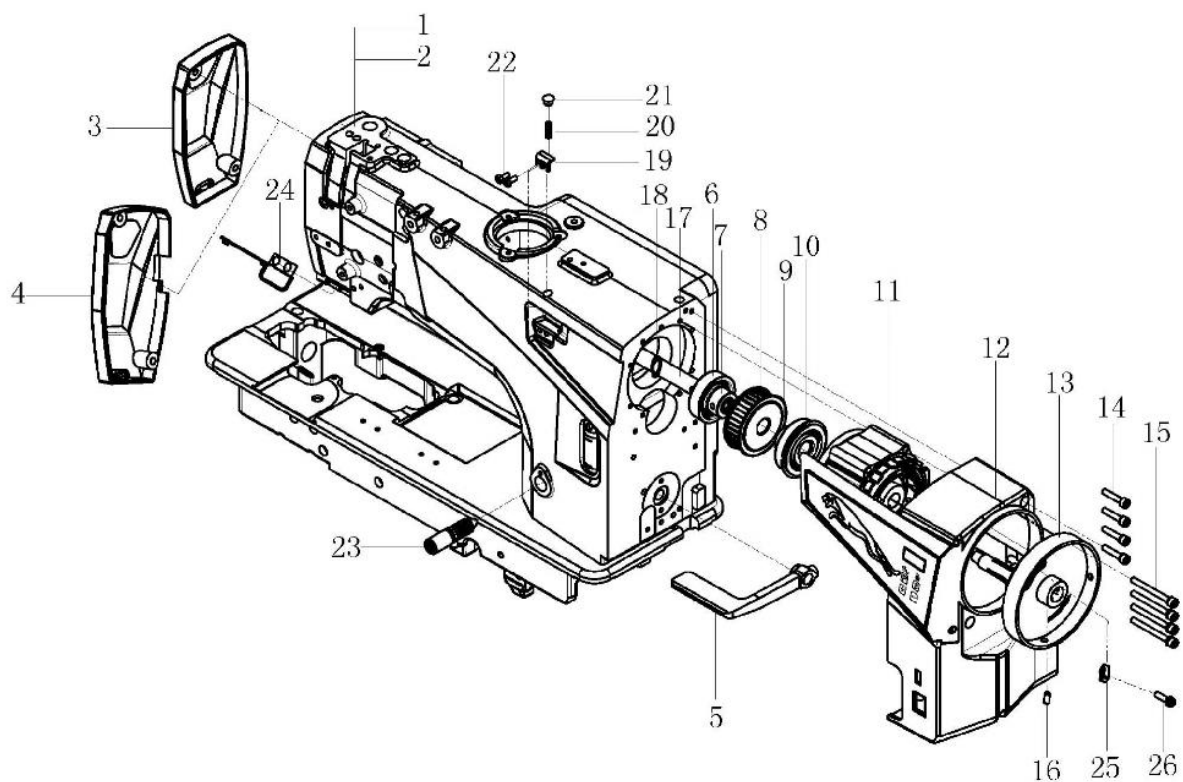
22 直刀专用部件二 (Straight knife special parts two)



22 直刀专用部件二 (Straight knife special parts two)

序号 Ref. No	ERP编号 Part No	零件名称	NAME OF PARTS	数量 AMT					
				8420EZN D3		8450EZN D3		8720EZN-D3	8750EZN-D3
				3	5	3	5		
1	PK2201	旋梭座 L	ROTARY HOOK BASE L	1	1	1	1		
	PK2201L	旋梭座 L	ROTARY HOOK BASE L					1	1
2	PK2202	旋梭座 R	ROTARY HOOK BASE R	1	1	1	1		
	PK2202L	旋梭座 R	ROTARY HOOK BASE R					1	1
3	PK2203	定刀	FI×ED KNIFE	2	2	2	2	2	2
4	PK2204	定刀螺钉 SM9/64×40-5	SCREW OF FI×ED KNIFE SM9/64×40-5	6	6	6	6	6	6
5	PK2205	定刀架	FI×ED KNIFE HOLDER	2	2	2	2	2	2
6	PF1310J48	圆柱头内六角螺钉 M5×12	HE×AGON SCREW OF CYLINDER	4	4	4	4	4	4
7	PK2207	定刀调节螺钉	FI×ED KNIFE ADJUSTABLE SCREW	2	2	2	2	2	2
8	PK2208	动刀螺钉 SM9/64×40.5	MOVABLE KNIFE OF SCREW SM9/64×40.5	2	2	2	2	2	2
9	PK2209	动刀	MOVABLE KNIFE	2	2	2	2	2	2
10	PF03021561	一字圆柱头螺钉 M2.5×6	WORD CYLINDER OF SCREW M2.5×6	6	6	6	6	6	6
11	PK2211	调节弹簧片 A	ADJUST SPRING PLATE A	2	2	2	2	2	2
12	PK2212	底线保持簧	THE BOTTOM LINE TO KEEP THE SPRING	2	2	2	2	2	2
13		一字沉头螺钉 M3×8	SCREW M3×8	4	4	4	4	4	4
14		动刀托架	MOVABLE KNIFE HOLDER	2	2	2	2	2	2
15	PK2215	动刀杆	MOVABLE KNIFE BAR	2	2	2	2	2	2
16		动刀驱动销	MOVABLE KNIFE DRIVE PIN	2	2	2	2	2	2
17		动刀驱动滚柱	KNIFE DRIVE ROLLER	2	2	2	2	2	2
18		动刀驱动滑块	KNIFE DRIVE ROLLER	2	2	2	2	2	2
19		动刀导向架盖板(L)	KNIFE GUIDE FRAME COVER(L)	1	1	1	1	1	1
20		动刀导向架(L)	KNIFE GUIDE FRAME	1	1	1	1	1	1
21	PK2221	圆柱头内六角螺钉 M3×10	SCREW M3×10	3	3	3	3	3	3
22		一字沉头螺钉 M3×14	SCREW M3×14	2	2	2	2	2	2
23		动刀导向架盖板(R)	KNIFE GUIDE FRAME COVER(R)	1	1	1	1	1	1
24		动刀导向架(R)	KNIFE GUIDE FRAME	1	1	1	1	1	1
25	PF1310C103	圆柱头内六角螺钉 M3×14	SCREW M3×14	1	1	1	1	1	1
26	PK2226	切线杆L	TRIMMING SHAFT L	1	1	1	1	1	1
27	PF8420M D30862	切刀拉簧螺钉	SCREW	3	3	3	3	3	3
28	PK2228	切线连杆L	TRINNING CONNECTOR L	1	1	1	1	1	1
29	PK2229	切线连杆R	TRIMMING SHAFT R	1	1	1	1	1	1
30	PF8420M D31359	轴位螺钉M5	SCREW M5	3	3	3	3	3	3
31	PK2231	切线连杆R	TRINNING CONNECTOR R	1	1	1	1	1	1
32	SCJ3008	平垫片 5.3	WASHER 5.3	2	2	2	2	2	2
33	PF8420M-D3010108	圆柱头内六角螺钉 M5×8	SCREW M5×8	2	2	2	2	2	2
34	PF5550726	切线复位弹簧	SPRING OF TRIMMING	1	1	1	1	1	1
35	PK2235	剪线凸轮	CUT CAM	1	1	1	1	1	1
36	PK2236	内六角凹端紧定螺钉M6×10	SCREW M6×10	4	4	4	4	4	4
37		梭架紧固上套	PINCH SLEEVE, U	2	2	2	2	2	2
39	PK2239	螺钉M6×25	SCREW M6×25	2	2	2	2	2	2
40	PK2240	接头R套管螺钉 M6	SCREW M6	1	1	1	1	1	1
41	PK2241	套管	CASING	1	1	1	1	1	1
42	PK2242	接头组件R	CONNECTOR ASM R	1	1	1	1	1	1
43	PK2243	六角螺母M6	HEXAGONAL NUT M6	1	1	1	1	1	1
44	PK2244	长度调节连杆组件 78mm	CONNECTING ROD LENGTH ADJUSTMENT	1	1	1	1	1	1
45	PK2245	螺母 M6 (左旋)	NUT M6(LEFT HAND)	1	1	1	1	1	1
46	PK2246	接头组件L	CONNECTOR ASM L	1	1	1	1	1	1
47	PK2247	套管螺钉垫圈	GASKET OF SCREW	1	1	1	1	1	1
48	PK2248	调节弹簧片 B	ADJUST SPRING PLATE B	2	2	2	2	2	2
49	PK2249	调节弹簧片托架	ADJUST SPRING PLATE SUPPORT	2	2	2	2	2	2
50	BF310164554	内六角凹端紧定螺钉M3×3	SCREW M3×3	2	2	2	2	2	2
51	PK2251P	动刀导向架(L)组件	KNIFE GUIDE FRAME(L) ASSY	1	1	1	1	1	1
52	PK2252P	动刀导向架(R)组件	KNIFE GUIDE FRAME(R) ASSY	1	1	1	1	1	1
53	PF8420M-D31916	油盘	OIL PAN	1	1	1	1	1	1
54	PK2254	旋梭盖(R)	ROTARY HOOK BASE COVER R	1	1	1	1	1	1
55	PK2255	梭架套右 2	ROTARY HOOK BASE BUSH R	1	1	1	1	1	1
56	PF1900A0131	弹簧挂钩	SPRING HOOK	1	1	1	1	1	1
57	PK2257	螺钉M6	SCREW M6	1	1	1	1	1	1

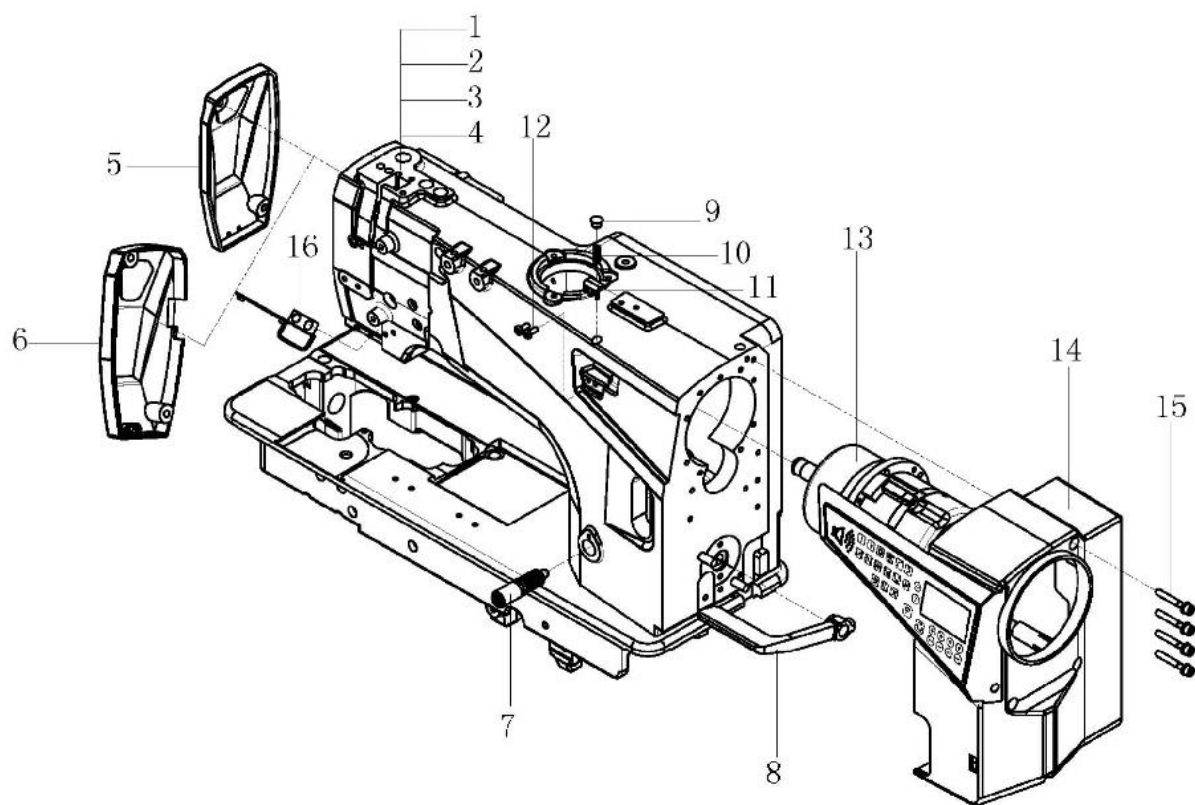
23 DP系列简易双针一体机专用部件



平缝系列>8420DP>23 DP系列简易一体双针机专用部件(DP SERIES SIMPLE INTEGRATED DOUBLE NEEDLE MACHINE SPECIAL PARTS)

序号 Ref. No	ERP编号 Part No	零件名称	NAME OF PARTS	数量 AMT					
				8420DP		8450DP		8720DP	8750DP
				-3	-5	-3	-5		
1	031205031	机壳	MACHINE BODY	1	1			1	
2	031205032	机壳(角缝)	MACHINE BODY			1	1		1
3	PF8420DP010105	面板	FACE PLATE	1	1			1	
4	PF8450DP010205	面板(角缝)	FACE PLATE			1	1		1
5	PF8420DP0640	倒缝扳手	REVERSE STITCHING LEVER	1	1	1	1	1	1
6	BF310166203Z	轴承(6304ZZNR)	BEARING	1	1	1	1	1	1
7	BF31016250529	轴承套	BALL BEARING BUSH	1	1	1	1	1	1
8	PF84200232	上同步轮	TIMINGPULLEY.U DD	1	1	1	1	1	1
9	BF31016250529	轴承套	BALL BEARING BUSH	1	1	1	1	1	1
10	BF310166203Z	轴承	BEARING	1	1	1	1	1	1
11	PF8420DP1719	电机组件	MOTOR	1	1	1	1	1	1
12	11010035	电控组件	PULLEY COVER ASM	1	1	1	1	1	1
13	PF8420DP0229	上轮	HEAD WHEEL	1	1	1	1	1	1
14	SCJ2011	电控罩壳安装螺钉 M5×25	SCREW	4	4	4	4	4	4
15	SCJ2015	电机安装螺钉 M5×55	SCREW	4	4	4	4	4	4
16	SCJ2031	上轮螺钉 M5×8	SCREW	2	2	2	2	2	2
17	PF8420DP0201	上轴	MAIN SHAFT	1	1	1	1	1	1
18	SCJ1019	挡圈	RETAINING RING	1	1	1	1	1	1
19	PFQ5150	支架	STAND	1	1	1	1	1	1
20	PFQ5151	紧固螺钉	SCREW	1	1	1	1	1	1
21	PF55500113	调节孔孔塞	RUBBER PLUG	1	1	1	1	1	1
22	PFQ5149	支架固定螺钉	SCREW	2	2	2	2	2	2
23	PF8420DP0622	针距调节螺杆	FEED REGULATING STUD	1	1	1	1	1	1
24	PF8420DP1601	LED补针开关组件	REVERSE SEWING SWITCH ASM	1	1	1	1	1	1
25	PF0303DP0254	磁钢	MAGNETIC STEEL BRIDGE	1	1	1	1	1	1
26	PF8420M-D31145	磁钢固定螺钉	SCREW	1	1	1	1	1	1
27	PF430GM13	6孔插座	CONNECTOR 5557-6R	1	1	1	1	1	1
28	PF8420DP2328	6孔护套	SHEATH 5557-6R	1	1	1	1	1	1

24 E系列电脑双针一体机专用部件



平缝系列>8420E>24 E系列电脑一体双针机专用部件(E SERIES COMPUTER INTEGRATED DOUBLE NEEDLE MACHINE SPECIAL PARTS)

序号 Ref. No	ERP编号 Part No	零件名称	NAME OF PARTS	数量 AMT					
				8420		8450		8720	8750
				EZN-D3		EZN-D3		EZN-D3	EZN-D3
				-3	-5	-3	-5		
1	031205033	机壳	MACHINE BODY	1	1			1	
2	031205034	角缝机壳	MACHINE BODY			1	1		1
3	031205035	直刀机壳	MACHINE BODY	1	1			1	
4	031205036	直刀角缝机壳	MACHINE BODY			1	1		1
5	PF8420DP010105	面板	FACE PLATE	1	1			1	
6	PF8450DP010205	面板(角缝)	FACE PLATE			1	1		1
7	PF8420DP0622	针距调节螺钉	FEED REGULATING STUD	1	1	1	1	1	1
8	PF8420DP0640	倒缝扳手	REVERSE STITCHING LEVER	1	1	1	1	1	1
9	PF55500113	调节孔孔塞	RUBBER PLUG	1	1	1	1	1	1
10	PFQ5151	紧固螺钉	SCREW	1	1	1	1	1	1
11	PFQ5150	支架	STAND	1	1	1	1	1	1
12	PFQ5149	支架固定螺钉	SCREW	2	2	2	2	2	2
13	PF8420E1719	电机组件	MOTOR	1	1	1	1	1	1
14	11010057	电控组件	PULLEY COVER ASM	1	1	1	1	1	1
15	SCJ2011	电控罩壳安装螺钉 W5 X25	SCREW	4	4	4	4	4	4
16	PF8420DP1601	LED及倒缝开关组件	REVERSE SEWING SWITCH ASM	1	1	1	1	1	1