



Qualidade e Tecnologia

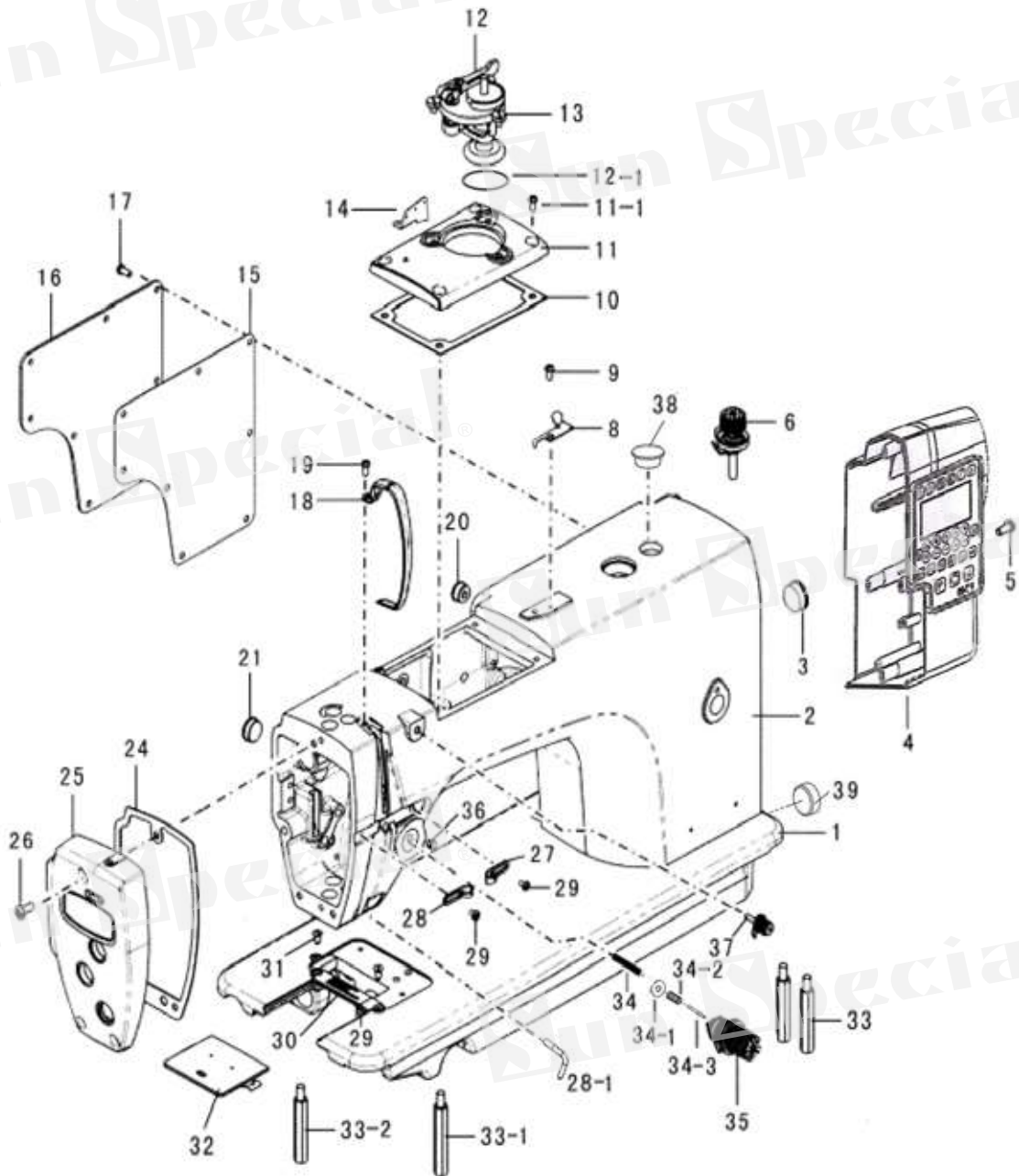
PEÇAS

**MÁQUINA DE COSTURA INDUSTRIAL
RETA REFILEIDEIRA**

SS8520D-PR-QI

www.sunspecial.com.br

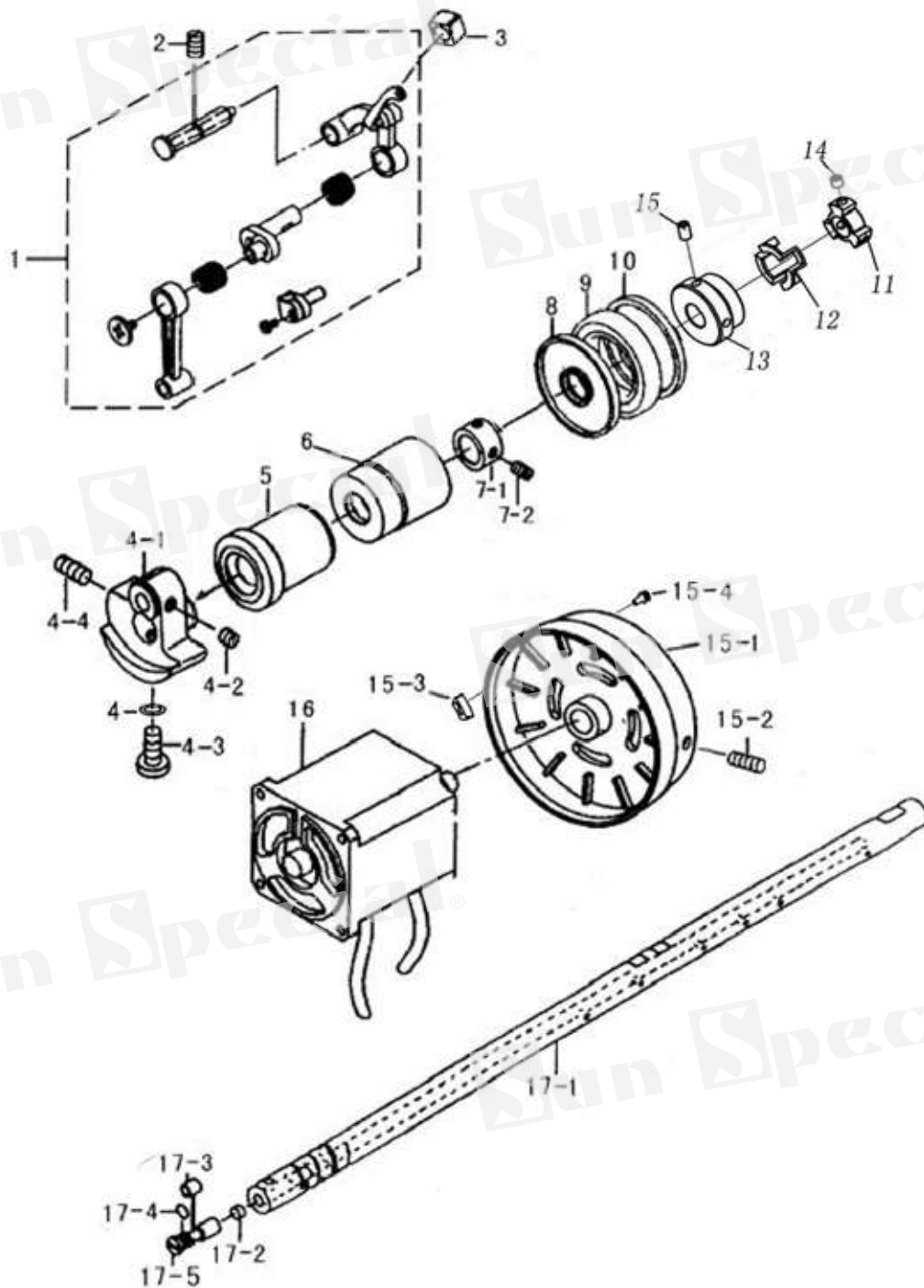
1. 机体部件 / MACHINE MECHANISM



1. 机体部件 / MACHINE MECHANISM

序号 Ref.No	件号 Part No	名称	Description	数量 QTY
1	034203016	底板	Bed	1
2	033201014	机头	Arm	1
3	PF5550114	橡皮塞Φ19	Rubber, plug(Φ19)	1
4	14040007	电机罩	Motor cover	1
5	SCJ2005	螺钉 M4*25	Screw M4*25	4
6	PF90000151	卷线器夹线组件	Crimping device clamp assembly	1
8	PF90000132	切刀	CUTTER	1
9	PF68425K19	螺钉 1/8*40-4	Screw 1/8*40-4	2
10	PF9520MXDK031	上盖垫片	The upper cover gasket	1
11	PF9520MXDK033	上盖	loam cake	1
11-1	PF6150812	螺钉	Screw	4
12	PF90000157	卷线器组件	Reel Components	1
12-1	PF900001511	绕线器垫片油封	Oil seal	1
13	PF90000131	卷线器固定螺钉	Screw	3
14	PF0302113	三眼线勾	Over pole	1
15	PF9800TD402	后盖板垫片	Gasket for arm side cover	1
16	PF90000108	后盖板	Arm side cover	1
17	PF555016	螺钉	Screw	8
18	PF5550229	挑线杆防护罩	Thread take-up guard	1
19	PF5550230	螺钉 3/16*28-6	Screw 3/16*28-6	1
20	PF7810167	孔塞	Rubber plug	1
21	PF9820285	孔塞	Rubber plug	3
24	PF9520MXDK032	面板垫片	Gasket for face plate	1
25	PF9520MXDK034	面板	faceplate	1
26	PF5550161	螺钉 3/16*28-12	Screw 3/16*28-12	3
27	PF5550316	机壳线钩	Chassis line hook	1
28	PF5550318	左线钩	Left arm thread guide	1
28-1	PF9520MXDK021	大线钩	Large arm thread guide	1
29	PF5550317	线钩螺钉 11/64*40-6	Screw 11/64*40-6	2
30	PF852013501	针板	Slide plate	1
31	PF5550637	针板螺钉 11/64*40-8.5	Needle plate screw	2
32	PF5550638	推板组件	Slide plate spring	1
33	PF555013	机壳支撑杆	Rod case	2
33-1	PF90000120	机壳支撑杆(长)	Rod case (L)	1
33-2	PF90000121	机壳支撑杆(中)	Rod case (M)	1
34	PF90000329	松线辅钉	Loose wire nails	1
34-1	PF5550333	松线辅钉垫片	TENSION RELEASE SUPPORTING PIN	1
34-2	PF5550334	松线辅钉弹簧	TENSION RELEASE PIN SPRING	1
34-3	PF6150131	松线钉	Thread RELEASE PIN	1
35	PF98000318	夹线器组件	Clamp components	1
36	PF5550330	螺钉 15/64*28-7	Screw 15/64*28-7	1
37	PF98000312	小夹线器组件	Small clip cord assembly	1
38	PF98000187	调节孔孔塞	RUBBER PLUG	1
39	PF5550115	下轴盲孔塞	RUBBER PLUG	1

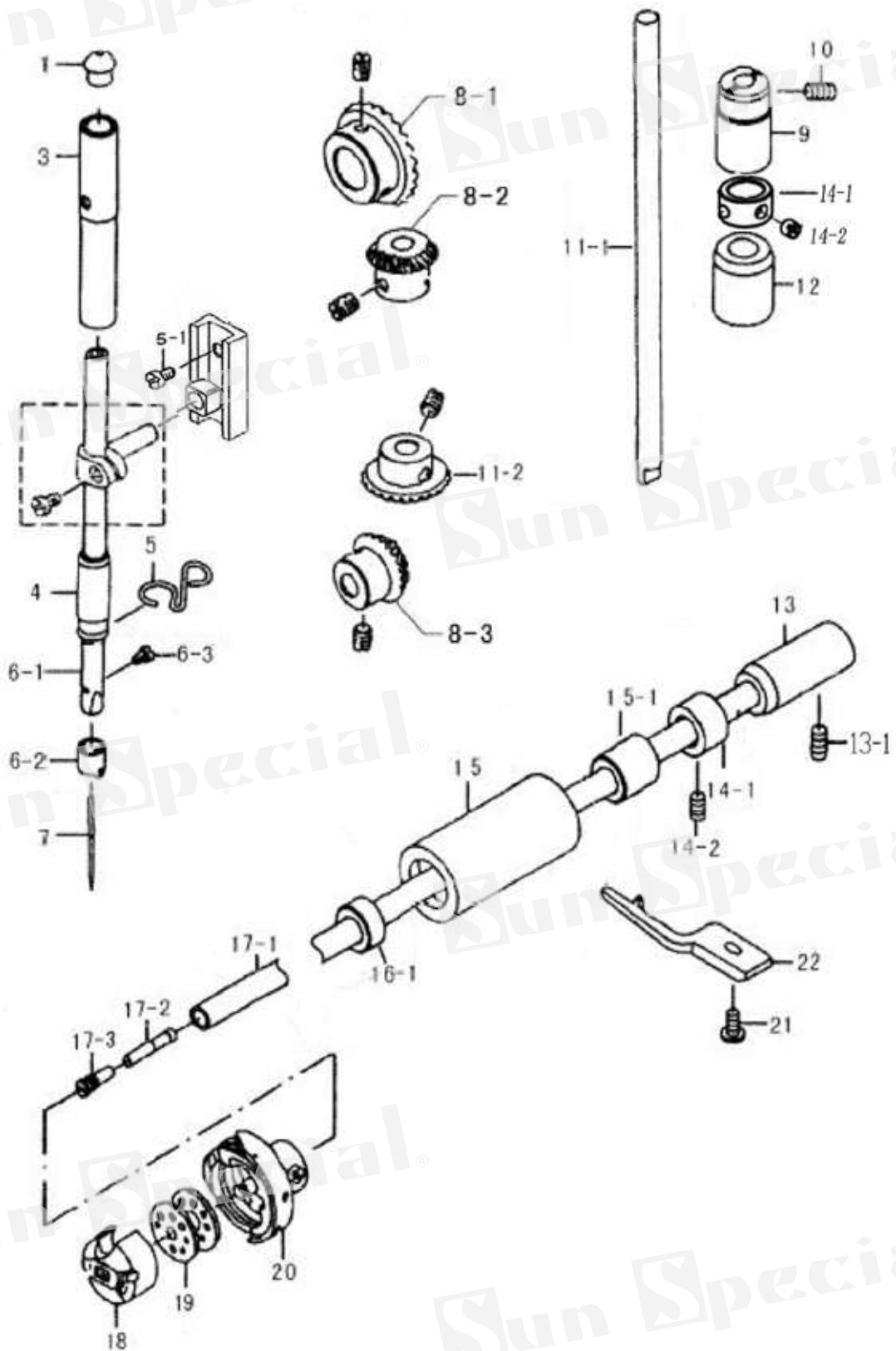
2. 上轴、挑线装置/MAIN SHAFT&THREAD-UP LEVER MECHANISM



2. 上轴、挑线装置/MAIN SHAFT&THREAD-UP LEVER MECHANISM

序号 Ref.No	件号 Part No	名称	Description	数量 QTY
1	PF5550K0223A	挑线杆组件	Thread take-up lever	1
2	PF555022	螺钉 15/64*28-15	Screw 15/64*28-15	1
3	PF90010311	针杆接头滑块	Slide block	1
4	PF5550217	针杆曲柄定位螺钉 O 型圈	Rubber ring	1
4-1	PF5550215	针杆曲柄	Needle bar crank	1
4-2	PF5550625	螺钉 1/4*40-6	Screw 1/4*40-6	2
4-3	PF5550216	针杆曲柄定位螺钉	Screw 9/32*28-16	1
4-4	PF5550218	针杆曲柄紧固螺钉	Screw 9/32*28-16	1
5	PF90000207	上轴前套	Arm shaft bushing (left)	1
6	PF555028	上轴中套	Arm shaft bushing (middle)	1
7-1	PF555026	上轴紧圈 (大)	Collar for arm shaft assy	1
7-2	PF5550625	螺钉 1/4*40-6	Screw 1/4*40-6	2
8	PF90000210	上轴油封	Oil seal	1
9	PF90000217	轴承	Bearing	1
10	PF90000218	电机密封圈	Folder	1
11	PF90000214	电机连轴器	Motor coupling	1
12	PF90000213	连轴器橡胶圈	Coupling rubber ring	1
13	PF90000212	上轴连轴器	Upper shaft coupler	1
14	PF90000216	上轴连轴器紧固螺钉	Screw M6-6	3
15	PF90000215	上轴连轴器紧固螺钉	Screw M6*0.75-6	2
15-1	14180064	手轮	Handwheel	1
15-2	SCJ2031	螺钉 M5*8	Screw M5*8	2
15-3	PF90000223	磁钢	Alnico	1
15-4	SCJ2038	螺钉 M4*8	Screw M4*8	1
16	12030008	电机	Motor	1
17-1	PF9520MXDK040	上轴	Arm shaft	1
17-2	PF5550211	曲柄油量限制毡	Crank felt limited oil	1
17-3	PF5550212	曲柄油量调节销	Fuel adjustment crank pin	1
17-4	PF5550214	O 形圈	O-ring	1
17-5	PF5550213	上轴油量调节销	Fuel adjustment pin	1

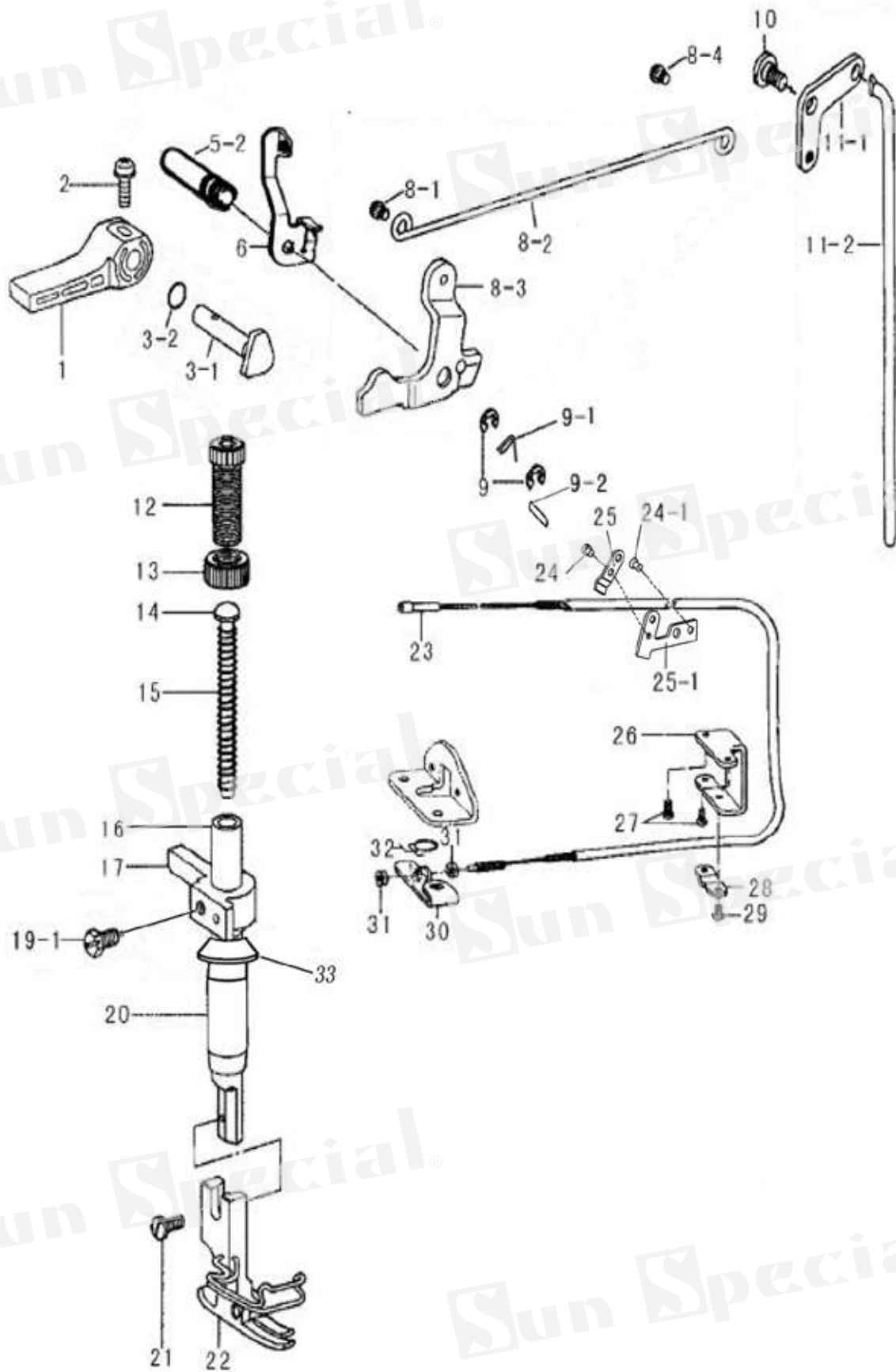
3. 针杆. 竖轴. 下轴装置/NEEDLE BAR UPRIGHT SHAFT&HOOK DRIVING SHAFT MECHANISM



3. 针杆. 竖轴. 下轴装置/NEEDLE BAR UPRIGHT SHAFT&HOOK DRIVING SHAFT MECHANISM

序号 Ref.No	件号 Part No	名称	Description	数量 QTY
1	PF555037	针针橡皮塞Φ8	Red, rubber-plug (Φ8)	1
3	PF555036	针杆上套	Needle bar bushing (upper)	1
4	PF90000306H	针杆下套	Needle bar bushing (lower)	1
5	PF5550H39	针杆下轴套线钩	Needle bar thread guide	1
5-1	PF6150227	螺钉	Screw	2
6-1	PF8520303	针杆	Needle bar	1
6-2	PF8520310	针杆过线勾-3	Thread guide for bushing (lower)	1
6-3	PF5550312	螺钉 1/8*44-4.5	Screw 1/8*44-4.5	1
7	PFDTDB114	机针	Needle	1
8-1	PF555052605	伞齿轮组件	Bevel gear for vertical shaft assy	1
8-2	PF555052505	伞齿轮组件	Bevel gear for vertical shaft assy	1
8-3	PF555051805	伞齿轮组件	Bevel gear for vertical shaft assy	1
9	PF90000521	竖轴上轴套	Vertical shaft bushing (upper)	1
10	PF9800TD410	竖轴上套紧定螺钉	Screw 3/16*28-4	1
11-1	PF5550524	竖轴	Upright shaft	1
11-2	PF555052005	竖轴下伞齿轮	Bevel gear for vertical shaft (lower)	1
12	PF90000520	竖轴下轴套	Vertical shaft bushing (lower)	1
13	PF90000513	下轴后轴套	Hook shaft bushing (right)	1
13-1	PF555029	螺钉 15/64*28-8	Screw 15/64*28-8	1
14-1	PF6150404	下轴紧圈	Collar for hook shaft	2
14-2	PF5550330	螺钉 15/64*28-7	Screw 15/64*28-7	4
15	PF90000510	下轴前轴套	Hook shaft bushing (left)	1
15-1	PF90000512	下轴中轴套	Mid bushing	1
16-1	PF9990709	下轴挡油圈	Oil under the ring gear shaft assembly	1
17-1	PF555057	下轴	Rotating hook shaft	1
17-2	PF55505901	下轴限油芯	Filter	1
17-3	PF555058	下轴限油螺钉	Filter Screw	1
18	PF888056D5202	梭心套(国产)	Bobbin case	1
19	PF555053	梭心	Bobbin	1
20	PF888056D50109	旋梭组件-3(国产)	Rotating hook Complete	1
21	BF700S039	螺钉 11/64*40-9.5	Screw 11/64*40-9.5	1
22	PF555055	旋梭定位勾	Rotating hook positsnev	1

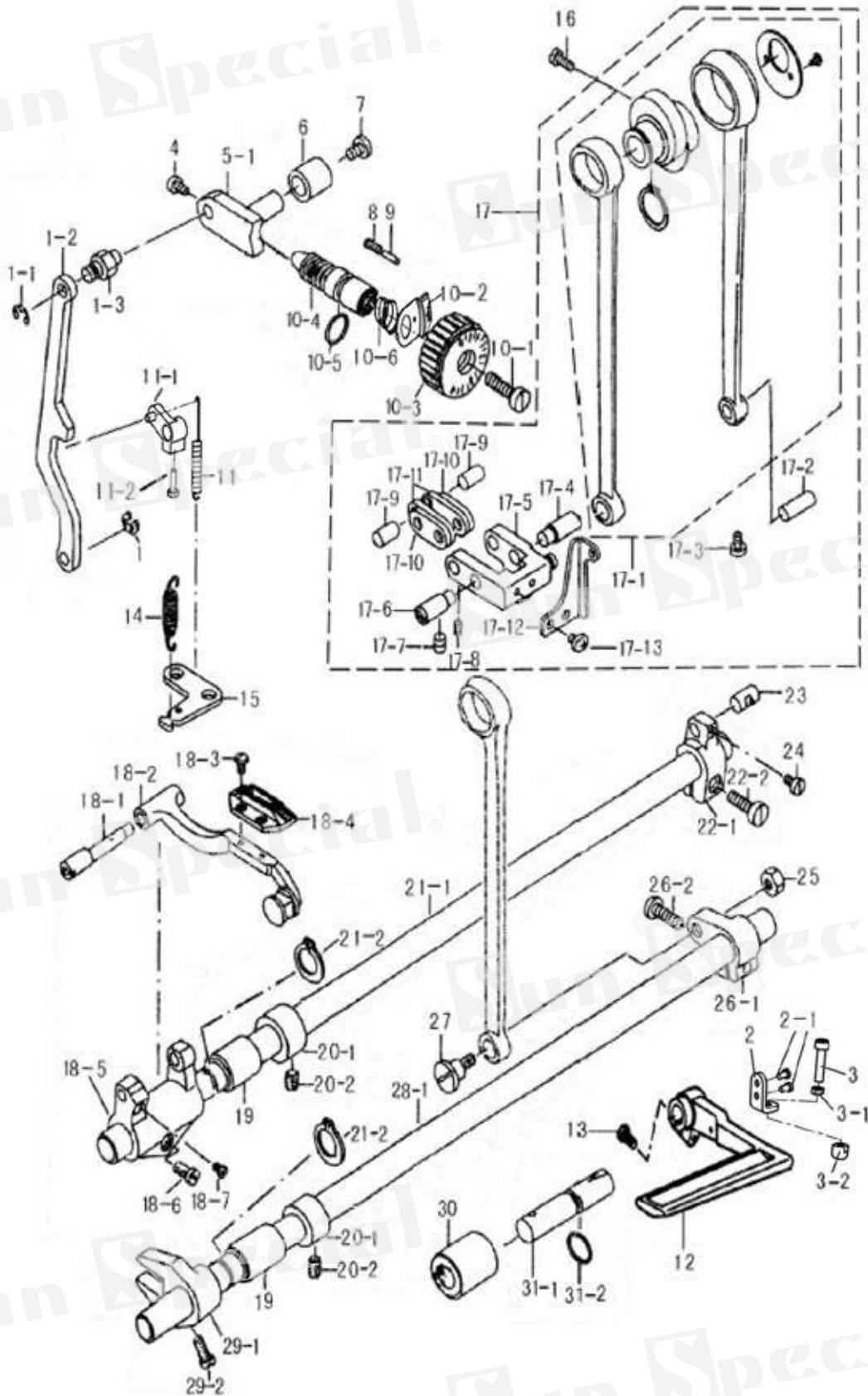
4. 压脚装置/PRESSER FOOT MECHANISM



4. 压脚装置/PRESSER FOOT MECHANISM

序号 Ref.No	件号 Part No	名称	Description	数量 QTY
1	PF8420M-D30511	抬压脚扳手	Presser bar lifter	1
2	PF8420M-D30512	螺钉	Screw	1
3-1	PF9520MXDK012	压紧杆提升凸轮	Presser bar lifting cam	1
3-2	PF9990811	O型圈 P4	O-ring P4	1
5-2	PF9520MXDK011	膝提升左杠杆销	the left lever to enhance sales	1
6	PF9520MXDK044	松线架	Loose wire rack	1
8-1	PF8420M-D30518	螺钉	Screw	1
8-2	PF9520MXDK027	膝控连杆	Knee link	1
8-3	PF9520MXDK029	膝控提升左杠杆	Raise the left knee lever control	1
8-4	PF5550430	螺钉 3/16*32	Screw 3/16*32	1
9	SCJ1008	挡圈	Ring	2
9-1	PF9990324	抬压连杆弹簧	spring	1
9-2	PF9990341	抬压连杆弹簧销	PIN	1
10	PF5550429	后杠杆轴位螺钉	Screw	1
11-1	PF5550428	膝控提升右杠杆	Raise the right knee lever control	1
11-2	PF5550431	抬压脚顶杆	Presser Foot lift mandrel	1
12	PF555041	调压锁紧螺钉	Pressure regulating thumb screw	1
13	PF555041	调压锁紧螺母	Lock nut	1
14	PF555043	压紧杆弹簧导柱	Presser bar guide	1
15	PF555044	压紧杆弹簧-3	Presser spring	1
16	PF8520429	压紧杆	Presser bar	1
17	PF9520MXDK049	压紧杆导架	Presser bar lifting bracket	1
19-1	PF6150607	螺钉 11/64*40 L=11.5	Screw 11/64*40 L=11.5	1
20	PF5550410	压紧杆轴套	Presser bar bushing	1
21	PF5550412	螺钉 9/64-40 L=10.5	Screw 9/64-40 L=10.5	1
22	PF8520435	压脚组件-3	Presser foot complete	1
23	PF9520MXDK030	松线钢绳	Loose wire rope	1
24	PF5550725	螺钉 11/64-40 L=7	SCREW 11/64-40 L=7	1
24-1	PF5550637	螺钉 11/64-40 L=8.5	SCREW 11/64-40 L=8.5	1
25	PF90000438	松线钢绳架板	Loose wire rope supporting board	1
25-1	PF90000432	软管支承板	WIRE HOLDER BRACKET (UPPER)	1
26	PF90000436	松线钢绳座	Loose wire rope Block	1
27	PF68425E28	螺钉 9/64-40 L=7	SCREW 9/64-40 L=7	2
28	PF90000438	松线固定板	Loose wire fixed plate	1
29	PF5550725	螺钉 11/64-40 L=7	SCREW 11/64-40 L=7	1
30	PF90000442	松线座	Song Line Block	1
31	组件进	螺母	Nut	2
32	PF90000443	松线复位弹簧	Loose wire return spring	1
33	PF5550432	压杆油封	PRESSER BAR OIL SEAL	1

5. 送料装置/FEED MECHANISM

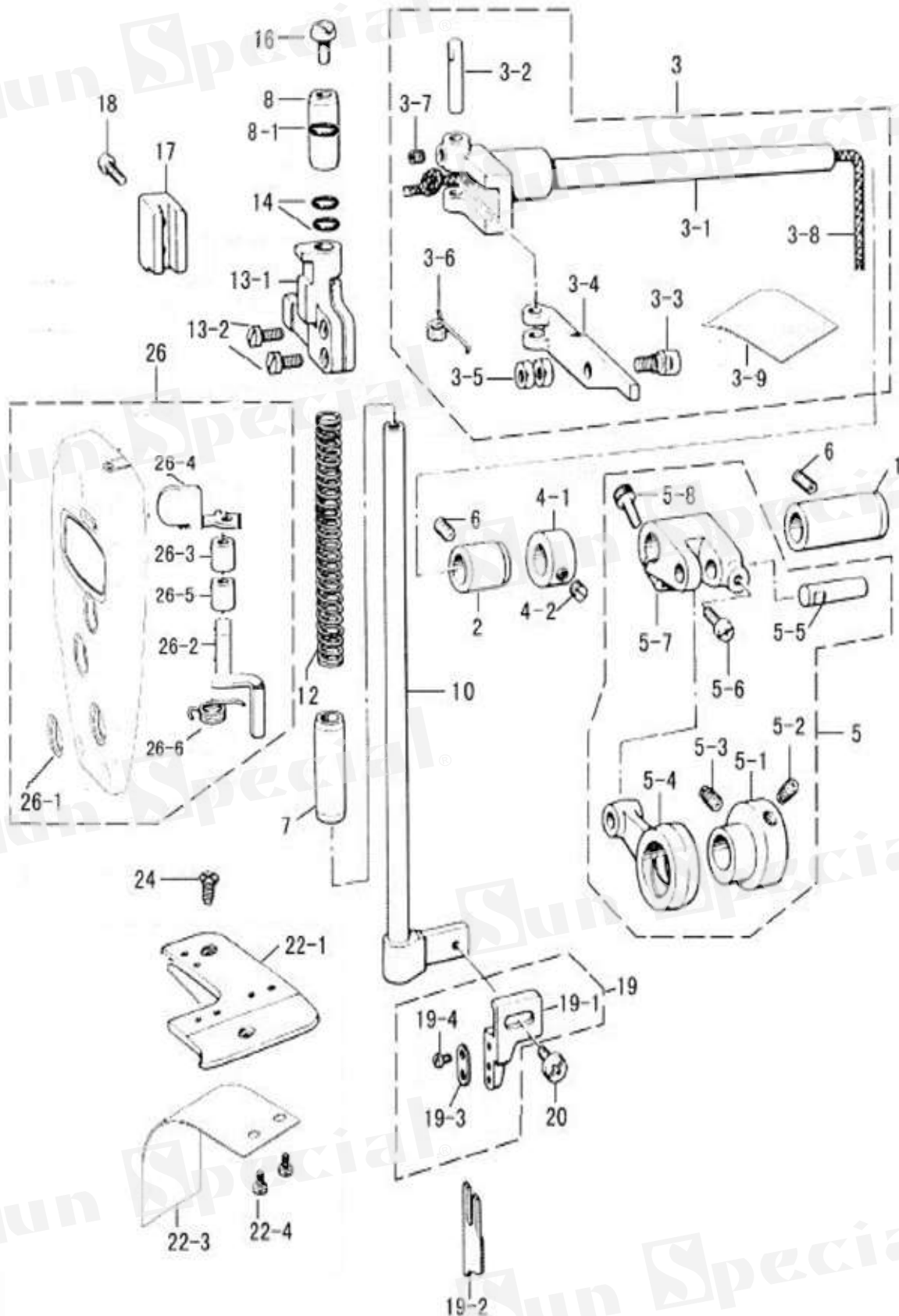


5. 送料装置/FEED MECHANISM

序号 Ref. No	件号 Part No	名称	Description	数量 QTY
1	SCJ1006	挡圈	Ring	1
1-1	SCJ1007	挡圈	Ring	1
1-2	PF90000713	倒送料连杆	Feed back link	1
1-3	PF90000710	倒送料连杆销	link feed pins down	1
2	PF90000727	限位螺钉座	RULER RETAINING PLATE	1
2-1	PF5550633	限位螺钉座螺钉	SCREW 11/64-40 L=7	2
3	PF90000729	扳手限位螺钉	SCREW M6 L=25	1
3-1	PF90000730	扳手限位螺母	NUT	1
3-2	PF90000731	限位螺钉减震垫	WASHER	1
4	PF68425B27	螺钉 9/64-40 L=5	Screw 9/64-40 L=5	2
5-1	PF90000707	送料调节器	Feed regulator	1
6	PF90000708	送料调节器轴套	Feed adjuster sleeve	1
7	PF555079	送料调节器紧固螺钉	SCREW 3/16-28 L=6	1
8	PF555076	止动销弹簧	Spring for stopper pin	1
9	PF9800070401	止动销	Stopper pin	1
10-1	PF555072	送料距旋钮螺钉	Screw	1
10-2	PF9800070201	锁针距挡板	NEEDLE GAUGE LOCK GUIDE	1
10-3	PF90000702H	针距标盘-5	Dial	1
10-4	PF90000706	针距调节螺杆	Screw	1
10-5	PF555074	针距调节螺杆 O 型圈	O-ring	1
10-6	PF0302445	送料调节旋钮弹簧	SPRING	1
11	PF5550722	倒送料拉簧	Feeding tension spring back	1
11-1	PF90000721	操纵杆托架	Joystick bracket	1
11-2	PF5550721	螺钉 1/4-40	SCREW 1/4-40	1
12	PF90000732	倒缝扳手	Backstitch wrench	1
13	PF5550330	螺钉 15/64-28 L=7	SCREW 15/64-28 L=7	2
14	PF90010718	摆动板座复位簧	Adjusting link spring	1
15	PF98000717	拉簧固定板	Tension spring fixing plate	1
16	组件进	送料偏心轮螺钉	SCREW 1/4-40 L=13	2
17	PF98000602	送布曲柄组件	Feed rock shaft crank assy	1
17-1	组件进	送布凸轮组件	Feed cam assembly	1
17-2	组件进	送布连杆销	Feed rod pin	1
17-3	组件进	送布连杆螺钉	SCREW 9/64-40 L=6	1

17-4	PF555061601	送料摆动板座右销(长)	Feeding off the right swing board seat	1
17-5	组件进	送料摆动板座组件	Block feed swing plate assembly	1
17-6	PF5550614	送料摆动板座右销(短)	Feeding off the swing board seat left	1
17-7	PF6150326	螺钉 15/64-28 L=7	SCREW 15/64-28 L=7	2
17-8	组件进	螺钉	SCREW	2
17-9	组件进	短摆动板连接销	Short swing seat connecting pin board	2
17-10	组件进	送料短摆动杆	Feeding short swing lever	2
17-11	组件进	送料长摆动杆	Feeding long swinging rod	2
17-12	PF5550724	摆动板复位板	Reset board board seat swing	1
17-13	PF5550633	螺钉 11/64-40 L=7	SCREW 11/64-40 L=7	2
18-1	PF90000624	牙架销	Feed bar shaft	1
18-2	PF90000634	牙架组件	Tooth rack components	1
18-3	PF5550635	螺钉 1/8-44 L=6	SCREW 1/8-44 L=6	2
18-4	PF852053301	送布牙	Feed dog	1
18-5	PF90000623	牙架曲柄	Crank tooth rack	1
18-6	PF5550633	螺钉	SCREW	2
18-7	PF90000621	螺钉	SCREW	2
19	PF90000625	送布抬牙轴前轴套	Feed, before the lift shaft sleeve teeth	2
20-1	PF5550653	抬牙送布轴紧圈	Tight circle	2
20-2	PF6150304	螺钉	SCREW	4
21-1	PF90000620	送布轴	Feed rock shaft	1
21-2	SCJ1036	送料, 抬牙轴卡簧	C-type stop ring	2
22-1	组件进	送布曲柄	Feed rock shaft crank (right)	1
22-2	组件进	送布曲柄螺钉	SCREW	1
23	组件进	送布曲柄连接销	Feed crank pin connection	1
24	组件进	螺钉	SCREW	1
25	组件进	螺母	Nut	1
26-1	组件进	抬牙曲柄	Tooth crank lift	1
26-2	组件进	抬牙曲柄螺钉	SCREW	1
27	组件进	螺钉	SCREW	1
28-1	PF90000631	抬牙轴	Lift shaft tooth	1
29-1	PF5550642	抬牙叉	Fork lift teeth	1
29-2	PF6150607	螺钉 11/64*40-11.5	Screw 11/64*40-11.5	1
30	PF5550716	倒送料轴轴套	Down feed shaft sleeve	1
31-1	PF90000723	倒送料轴	Down feed axis	1
31-2	PF5550715	倒送料轴 O 形圈	O-ring	1

6. 切刀部件/UPPER KNIFE MECHANIS

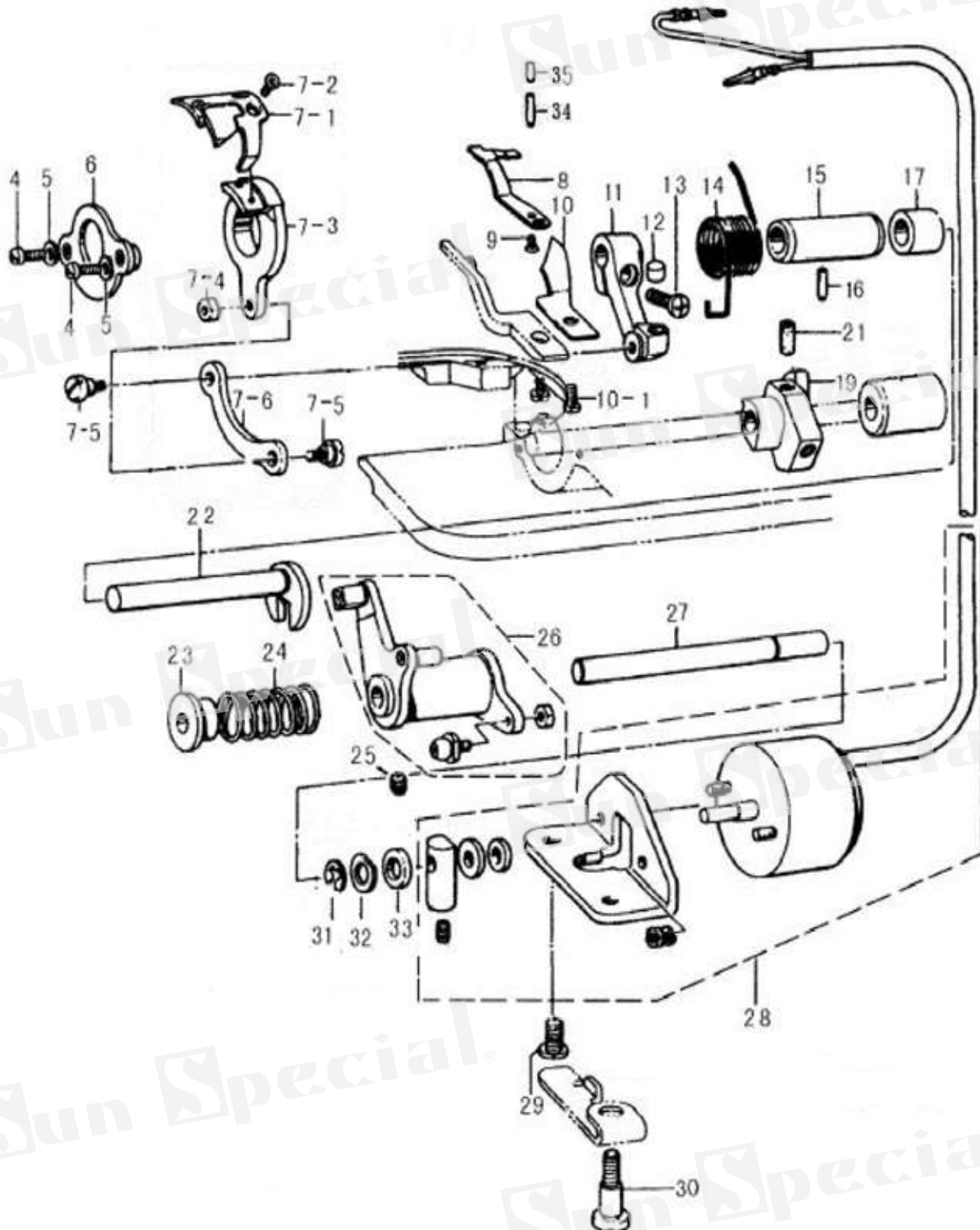


6. 切刀部件/UPPER KNIFE MECHANIS

序号 Ref. No	件号 Part No	名称	Description	数量 QTY
1	PF9520MXDK013	切刀摆动轴套 L	Rock shaft bush L	1
2	PF9520MXDK014	切刀摆动轴套 R	Rock shaft bush R	1
3	PF9520MXDK046	切刀摆动轴组件	Rock shaft w/screw	1
3-1	组件进	切刀摆动轴	Rock shaft	1
3-2	组件进	驱动曲柄销	Pin	1
3-3	PF9520MXDK064	切刀离合销	Pin	1
3-4	组件进	离合柄	Clutch bracket	1
3-5	组件进	螺母	Nut	1
3-6	组件进	离合柄弹簧	Spring	1
3-7	组件进	紧定螺钉	Set screw	1
3-8	PF5550833	油线	Oil wick	1
3-9	PF8420M-D31112	油毡	Felt	1
4-1	PF9520MXDK038	驱动轴紧圈	Set screw collar	1
4-2	BF310164514	紧定螺钉	screw	2
5	PF9520MXDK047	切刀驱动凸轮组件	Knife eccentric wheel assy	1
5-1	组件进	切刀驱动凸轮	Knife eccentric wheel	1
5-2	组件进	螺钉	Set screw	1
5-3	组件进	螺钉	Set screw	1
5-4	组件进	摆动连杆	Rock connecting rod	1
5-5	PF9520MXDK018	摆动曲柄销	Pin	1
5-6	组件进	螺钉	Set screw	1
5-7	PF9520MXDK062	摆动曲柄	Rock arm	1
5-8	组件进	螺钉	Set screw	2
6	PF5550330	紧定螺钉 15/64X28 L=7	Set screw 15/64X28 L=7	2
7	PF9520MXDK016	切刀下轴套	Knife shaft bush D	1
8	PF9520MXDK015	切刀上轴套	Knife shaft bush U	1

8-1	PF9990238	卡簧	C-type stop ring	1
10	PF9520MXDK006	切刀轴	Knife shaft	1
12	PF9520MXDK019	切刀轴弹簧	Spring assy	1
13-1	PF9520MXDK005	切刀轴导向架	Knife shaft guide	1
13-2	BF700S039	螺钉 11/64*40-9.5	screw 11/64*40-9.5	2
14	PF90008133	缓冲垫	O ring P9	2
16	PF9520MXDK042	切刀轴扳手螺钉	Screw	1
17	PF9520MXDK002	切刀轴导向	Knife shaft guide	1
18	PF5550412	螺钉 9/64X40 L=10.5	Screw 9/64X40 L=10.5	2
19	PF9520MXDK045	切刀架组件	Knife holder	1
19-1	组件进	切刀架	Knife holder	1
19-2	PF9520MXDK020	切刀	Upper knif	1
19-3	组件进	切刀压板	Knife washer	1
19-4	组件进	切刀压板螺钉	Scerw bind	2
20	PF68425K25	螺钉	Set screw	1
22-1	PF8520149	右推板	Needle plate	1
22-3	PF8520156	排屑罩	Material cover	1
22-4	BF700S014	排屑罩螺钉	Material cover screw	2
24	PF9520MXDK054	右推板螺钉	Needle plate screw	2
26	SFPF9520MBZJ	面板组件	Face plate assy	1
26-1	PF8420M-D3010107	孔塞	Rubber plug	3
26-2	PF9520MXDK026	复位扳手轴位螺钉	Shouler screwc	1
26-3	PF68425D1901	扳手轴位螺钉垫圈	Shouler screw	1
26-4	PF9520MXDK024	复位扳手	Clear lever	1
26-5	PF9520MXDK023	扳手弹簧复位套	Collar	1
26-6	PF9520MXDK035	复位扳手弹簧	Spring	1

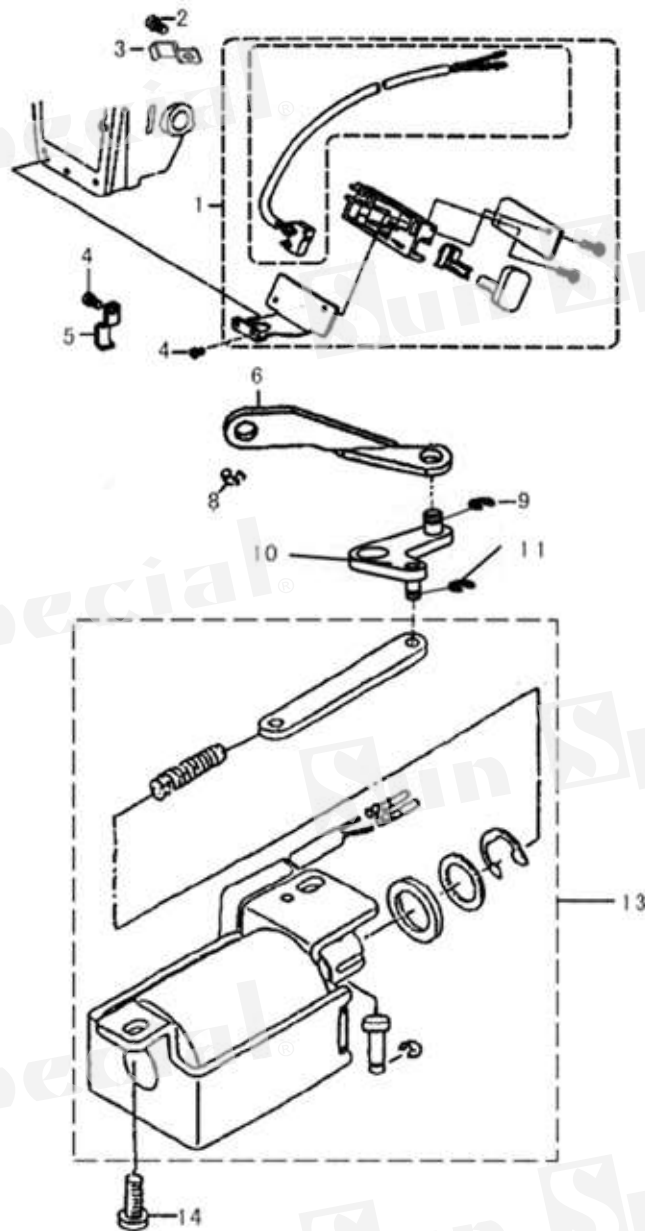
7. 自动切线装置/THREAD TRIMMER MECHANISM



7. 自动切线装置/THREAD TRIMMER MECHANISM

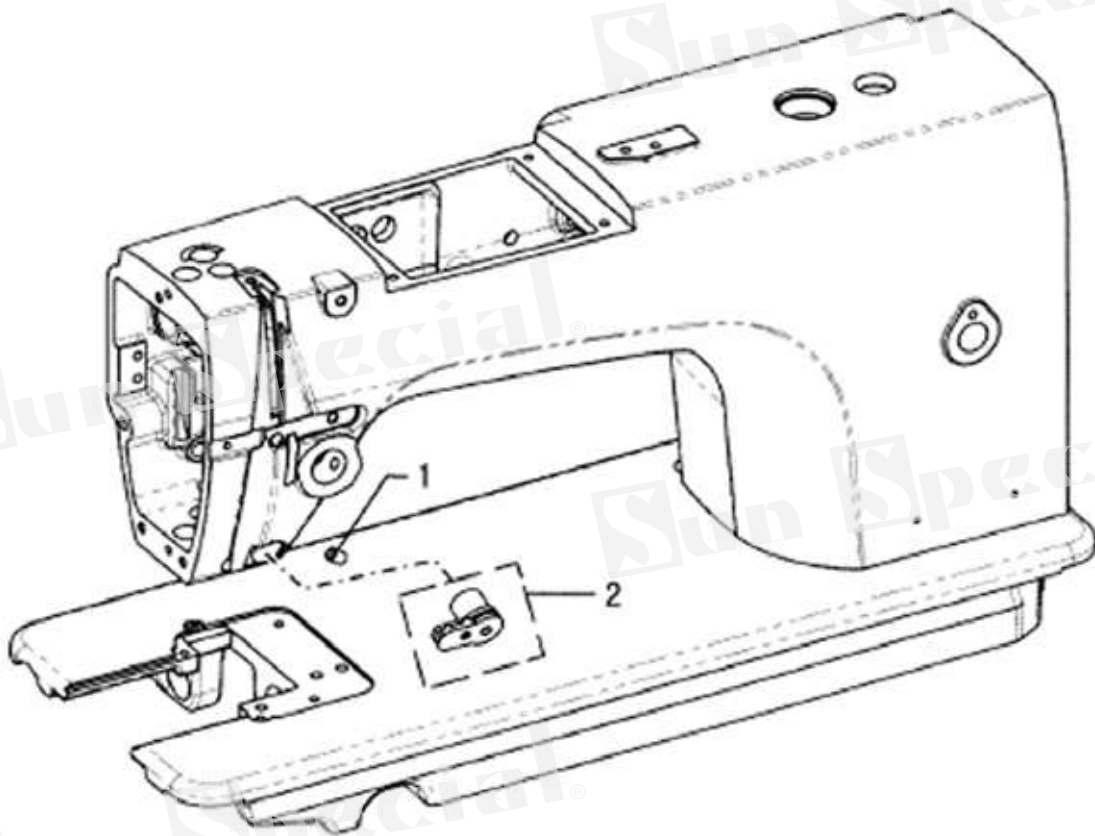
序号 Ref.No	件号 Part No	名称	Description	数量 QTY
4	PF90008112	螺钉	Screw	2
5	PF5550630	垫圈	Washer	2
6	PF90008110	刀架压板组件	Knife bracket presser assy	1
7-1	PF9000811301	动刀	Motorial knife	1
7-2	PF90008114	螺钉	Screw	2
7-3	PF90008109	刀架	Knife bracker	1
7-4	PF90008117	螺母	Nur	1
7-5	PF90008116	螺钉	Nut	2
7-6	PF90008115	刀架连杆	Knife shaft connecting rod	1
8	PF90008104	定刀	Fixed knife	1
9	PF68425H26	固定刀螺钉	Screw	1
10	PF90008106	分线器	Thread partition	1
10-1	PF6150211	分线器固定螺钉	Screw	1
11	PF90008118	切线驱动曲柄组件	Thread shear rock arm	1
12	组件进	驱动曲柄止动块	Positioning block	1
13	PF9000812001	螺钉	Screw	1
14	PF90008121	切刀曲柄弹簧	Spring	1
15	PF90008124	切线轴套	Thread shear shaft bush	1
16	PF55506461	切线轴套螺钉	Screw	1
17	PF90008123	切线驱动曲柄轴短套	SHORT BUSHING	1
19	PF90008101	切线凸轮	Thread shear cam	1
21	PF90008103	螺钉 1/4X40 L=10	Screw, 1/4X40 L=10	2
22	PF90008122	切刀驱动曲柄轴	Thread shear rock arm shaft	1
23	PF90008131	扭簧端盖	Spring cover	1
24	PF90008132	切线凸轮复位弹簧	Spring	1
25	PF90008129	螺钉 1/4X40 L=6	Screw, 1/4X40 L=6	1
26	PF90008126	切线凸轮曲柄组件	Thread shear cam rock arm assy	1
27	PF90008130B	切刀驱动轴	Thread shear shaft	1
28	PF9802804	切线电磁铁组件	Solenoid components tangent	1
29	PF90008141	螺钉 1/4X28	Screw 1/4X28	1
30	PF90008142	螺钉 1/4X28	Screw 1/4X28	1
31	SCJ1009	切线驱动轴卡圈	Washer	1
32	PF90008134	切线驱动轴垫圈	CLIP	1
33	PF90008133	切线磁铁垫圈	WASHER	1
34	PF900081412	定刀顶紧螺钉	SCREW 1/8-44X6	1
35	BF7005292	定刀顶紧螺钉	SCREW 1/8-44X3	1

8. 自动倒缝装置/AUTOMATIC REVERSE MECHANISM



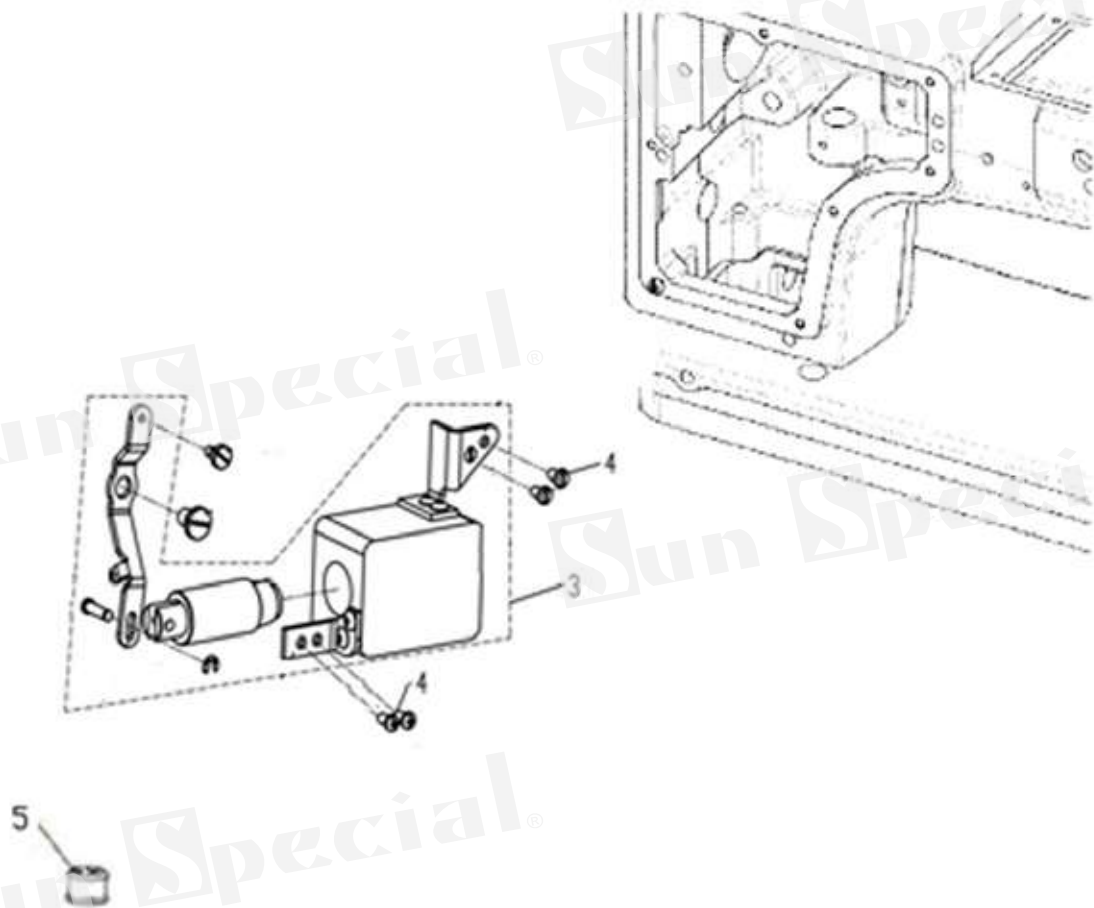
序号 Ref. No	件号 Part No	名称	Description	数量 QTY
1	PF9802651	自动倒缝开关组件	Automatically switch back seam component	1
2	PF5550161	螺钉 3/16X28-12	Screw 3/16X28-12	2
3	PF99901511	电线夹	Wire clip	2
4	PF555016	挡板螺钉 3/16X28-9	Screw 3/16X28-9	2
5	PF99901160	电线压板 U2	Wire plate U2	1
6	PF888056D740	自动倒缝连杆	Automatically link back seam	1
8	SCJ1006	卡簧	C-type stop ring	1
9	SCJ1007	卡簧	C-type stop ring	1
10	PF888056D737	自动倒送料曲柄	Automatic reverse feed crank	1
11	SCJ1004	卡簧	C-type stop ring	1
13	PF9802646	倒缝电磁铁组件	Reverse stitching magnetic plug assy	1
14	PF888056D730	螺钉 15/64X28-12	Screw 15/64X28-12	2

9. 夹线装置/WIRE CLAMPING DEVICE



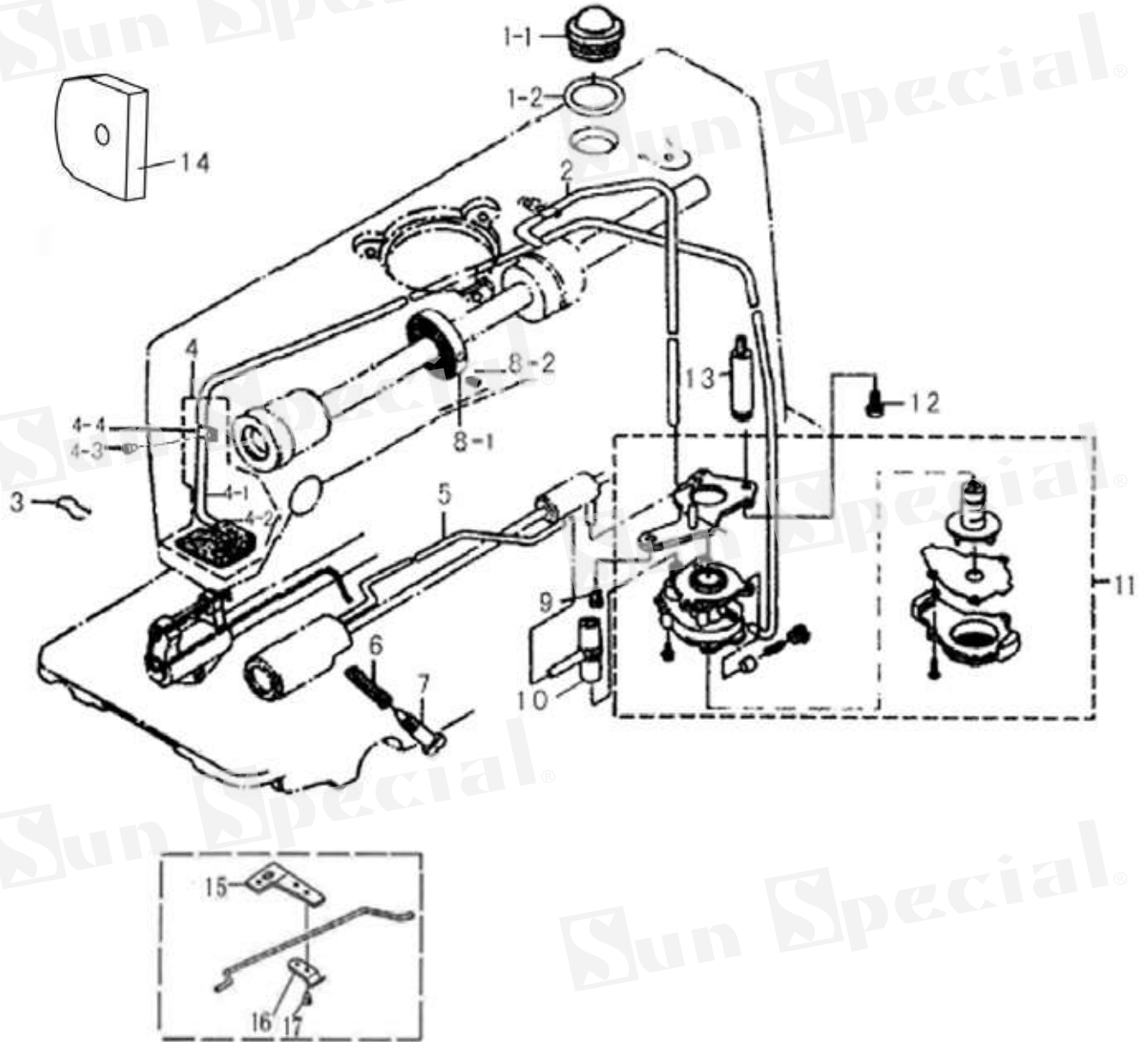
序号 Ref.No	件号 Part No	名称	Description	数量 QTY
1	PF9800TD409	螺钉	Screw	1
2	PFQ595	电子夹线器组件	Sweep line solenoid assembly	1

10. 抬压脚电磁铁/PRESSER FOOT DEVICE



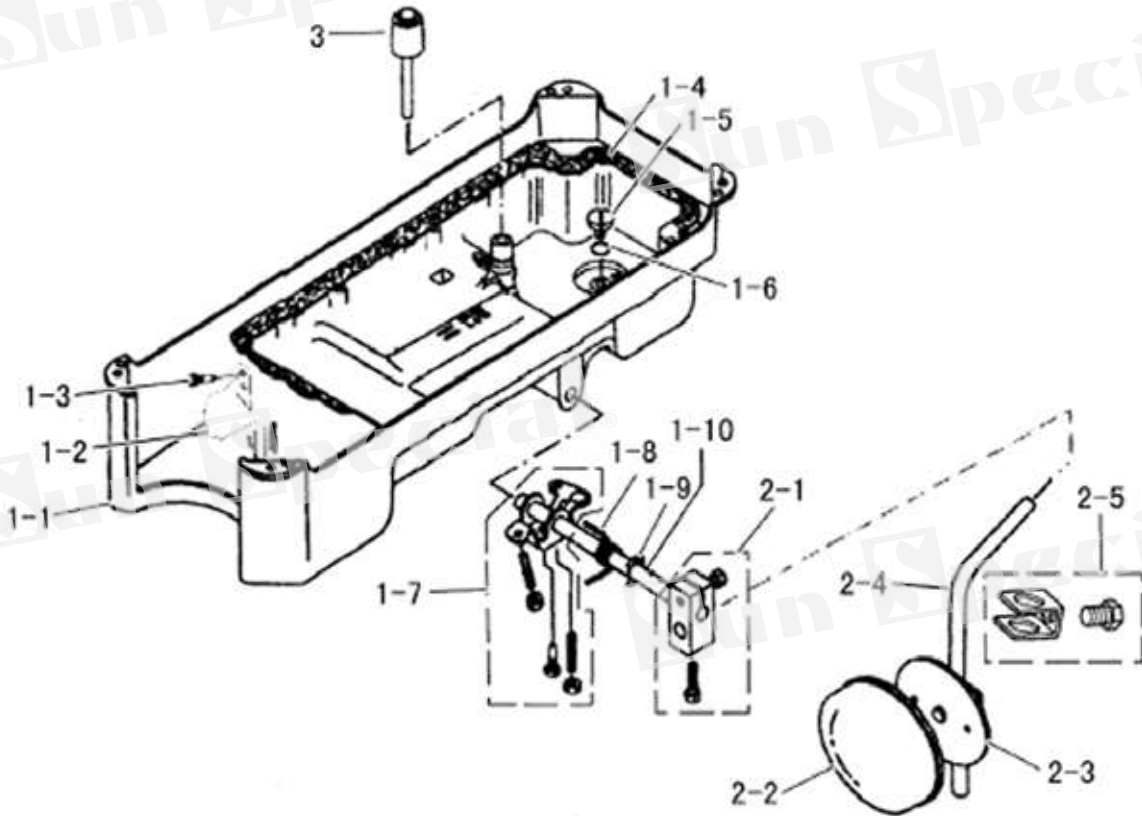
序号 Ref.No	件号 Part No	名称	Description	数量 QTY
3	PF9800TD403	抬压脚电磁铁组件(内置)	PRESSER FOOT SOLENOID ASM	1
4	PF5550161	螺钉 3/16X28-12	Screw 3/16X28-12	4
5	PF9800TD406	电线过线套	Wire crossing sleeve	1

11. 润滑装置/OIL LUBRICATION MECHANISM



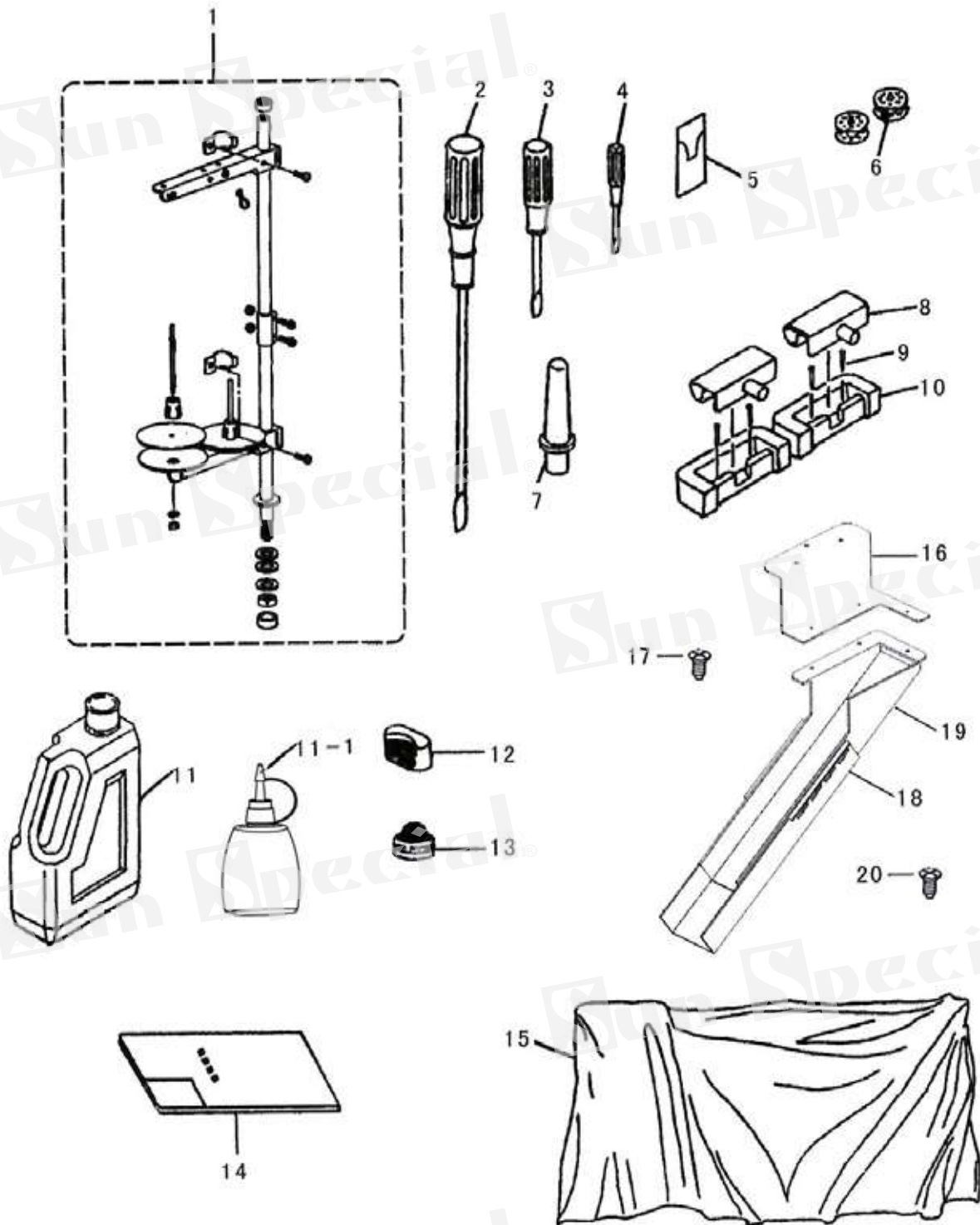
序号 Ref. No	件号 Part No	名称	Description	数量 QTY
1-1	PF5550824	油窗	Oil cap	1
1-2	PF5550825	O型圈	Oing, PW14	1
2	PF9800TD408	上轴供油管	On the shaft for the pipeline	1
3	PF5550831	滤油毡压簧	Filter felt compression spring	1
4	SFPF9520YGZJ	回油管组件	Oil return pipe assy	1
4-1	SCJ5030	回油管	Oil return pipe	1
4-2	PF5550830	机头回油滤油毡	Felt pouch	1
4-3	PF5550230	螺钉	Screw	1
4-4	PF5550827	回油管夹	Oil return tube holder	1
5	PF90001022	旋梭供油管	Hook for tubing	1
6	PF90001024	调节弹簧	Adjusting spring	1
7	PF90001023	调节螺钉	Screw	1
8-1	PF90000237	绕线驱动轮	Winder wheel	1
8-2	PF68425H33	螺钉 11/64X40 L=6	Screw 11/64X40 L=6	2
9	PF2284014802	油泵螺钉	Screw	1
10	PF5550817	供油管接头	For pipe joints	1
11	PF555081	油泵组件	Pump components	1
12	PF555056	油泵连接螺柱螺钉	Stud screw pump connection	1
13	PF888056D1017	油泵连接螺柱	Pump connection stud	1
14	PF90011038	海绵	Sponge	1
15	PF888056D442	软管下支撑板	Wire holder barcket(lower)	1
16	PF888056D437	软管下支撑板压板	Wire holder	1
17	PF5550725	螺钉 11/64-40 L=7	SCREW 11/64-40 L=7	1

12. 油盘装置/OIL RESERVOIR MECHANISM



序号 Ref. No	件号 Part No	名称	Description	数量 QTY
1-1	PF8520802	油盘	Oil reservoir	1
1-2	PF8520824	油盘导油板	Oil reservoir stopper plate	1
1-3	PF5550317	螺钉	Screw	2
1-4	PF555093	油盘垫	Gasket for oil reservoir	1
1-5	PF555095	排油孔螺钉	Screw	1
1-6	PF555096	排油螺钉 O 形圈	O rin	1
1-7	PF5550912	膝控限位架组件	Knee lifter stop bracket assy	1
1-8	PF5550916	膝控复位簧	Twist spring	1
1-9	SCJ1014	膝控复铰链轴挡圈	Retaining ring e10	1
1-10	PF5550917	膝控铰链轴	Knee lifter shaft	1
2-1	PF5550919	碰块弯杆接头组件	Joint for knee lifter bell crank assy	1
2-2	PF5550924	碰块垫	Knee lifter plate	1
2-3	PF5550925	膝控碰块	Knee lifter plate assy	1
2-4	PF5550922	膝控弯杆	Knee lifter bar	1
2-5	PF5550926	碰块架组件	Bracket far knss lifter plate	1
3	PF5550911	顶杆	Mandrel	1

13. 附件/ACCESSORIES



序号 Ref. No	件号 Part No	名称	Description	数量 QTY
1	PF55501127	线架组件	THREAD STAND AMS	1
2	PF55501016	螺丝刀 (大)	SCREW DRIVER (LARGE)	1
3	PF55501017	螺丝刀 (中)	SCREW DRIVER (MIDDLE)	1
4	PF55501018	螺丝刀 (小)	SCREW DRIVER (SMALL)	1
5	PFDTDB114	机针	NEEDLE	4
6	PF555053	梭心	BOBBIN	2
7	PFQ51425	机头支柱	FRAME SUPPORT BAR	1
8	PF5550101	机头连接钩	HINGE COMPL	2
9	SCJ6018	机头连接钩钉	RUBBER CUSHION NAIL	4
10	PF5550102	机头连接钩座	RUBBER CUSHION	2
11	PF55501022	油壶	OILER ASM.	1
11-1	PF61501105	小油壶	SMALL OILER ASM.	1
12	PF555099	机头大防震块	NOSE SUPPORT	2
13	PF555098	机头小防震块	DIE CUSHION	2
14	PF5550102301	附件拉链袋	Accessory zipper bag	1
15	PF5550102001	机头罩	FRAMEVINYL COVER	1
16	PF8520831	小漏斗	Little funnel	1
17	SCJ2073	木螺钉	Self tapping screw	4
18	PF8520830	大漏斗	Big funnel	1
19	PF8520826	中漏斗	Middle funnel	1
20	BF8007019	螺钉	SCREW	10

Prazo de validade do produto: Indeterminado

País de Origem: China

SAC - SERVIÇO DE ATENDIMENTO AO CLIENTE

0800 660 6000

assistencia@sunspecial.net.br;

Importado e Distribuído por:

CNPJ: 05.013.910/0001-22

Endereço: Rua da Graça, 577

Bom Retiro – São Paulo – SP

Fone: (11) 3334.8800

www.sunspecial.com.br