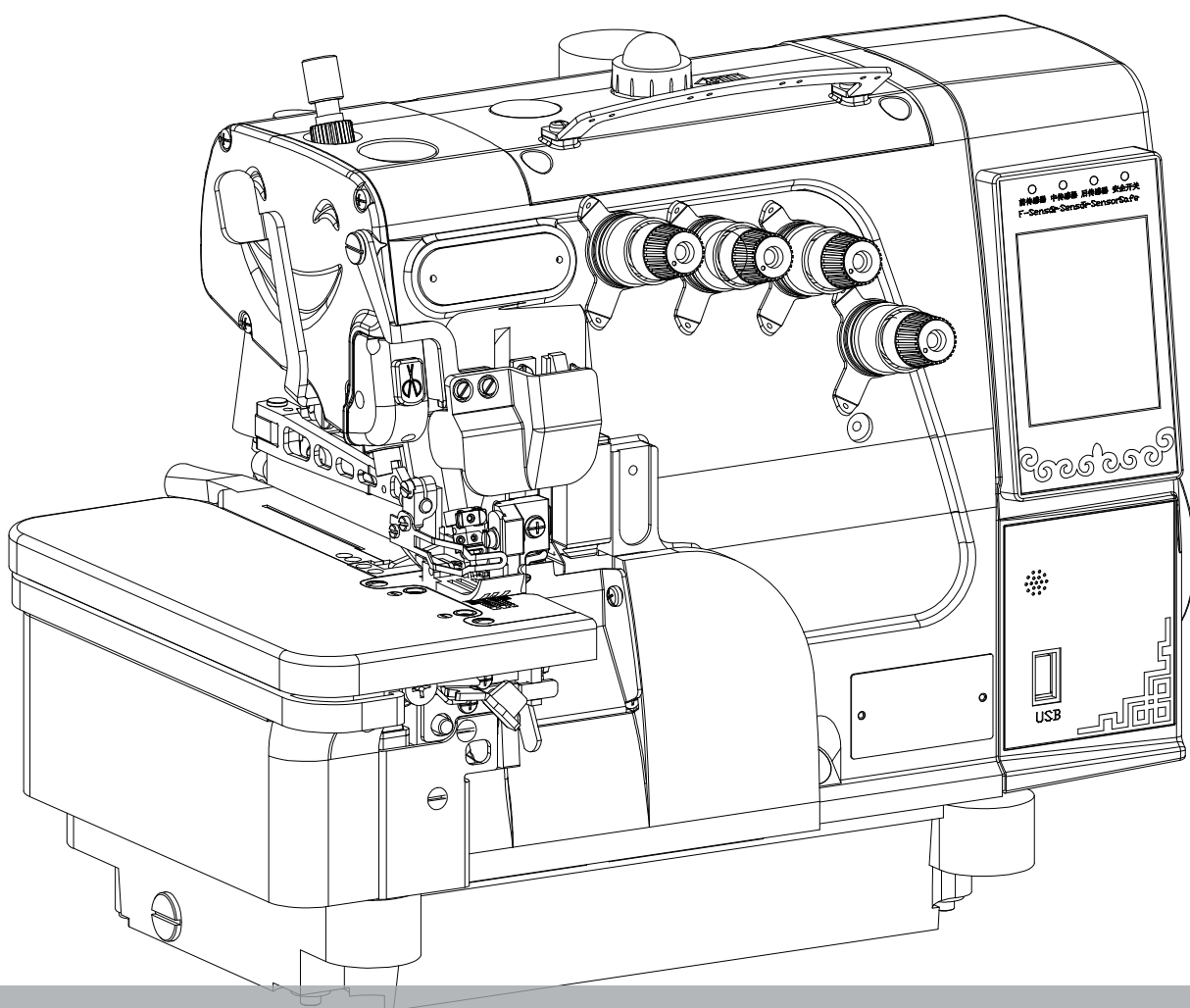


# Sun Special

Qualidade e Tecnologia

## PARTES E PEÇAS



MÁQUINA DE COSTURA INDUSTRIAL

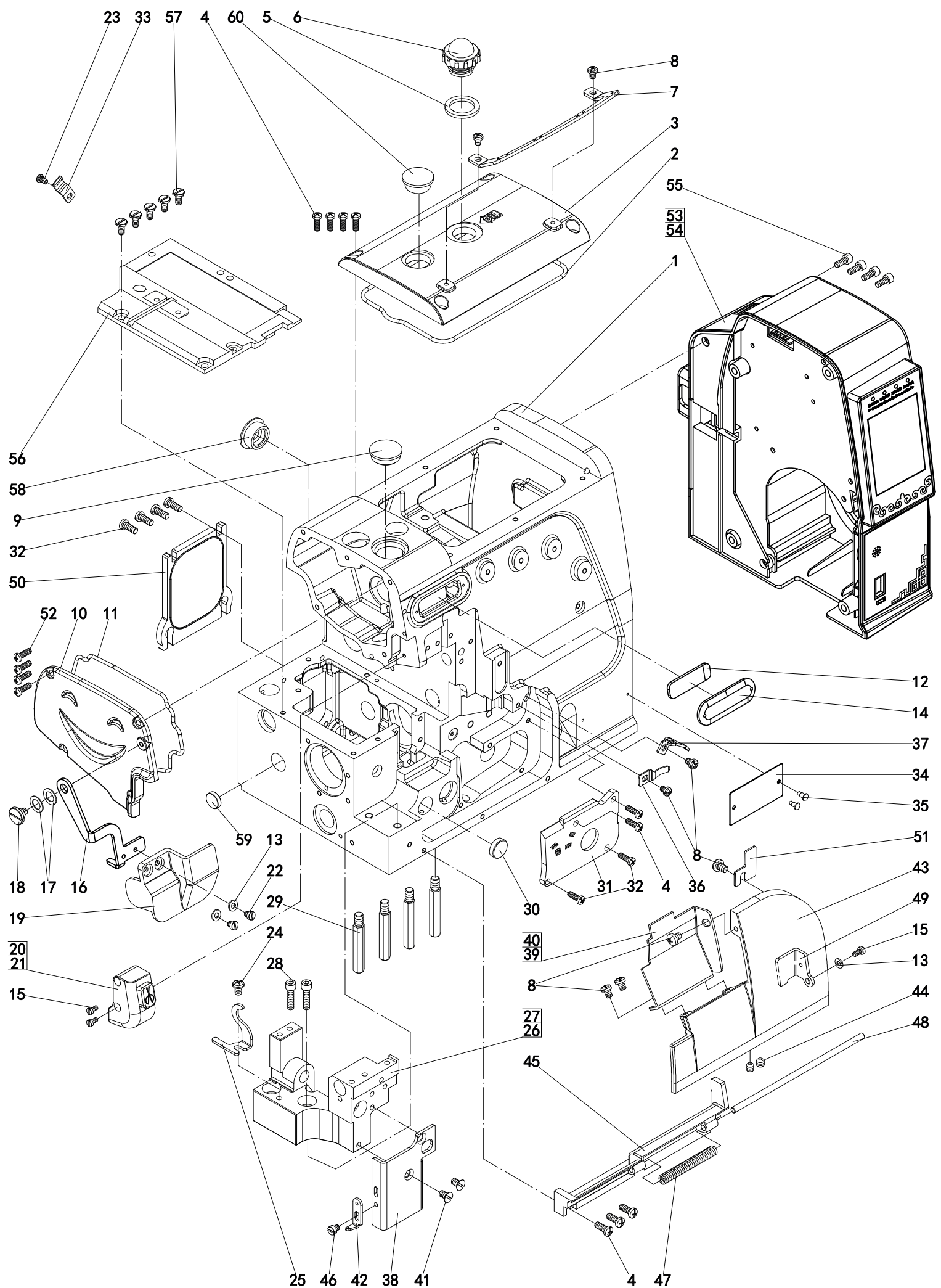
SS93DE-AT-SP-BR

SS94DE-AT-SP-BR

SS95DE-AT-SP-BR

[www.sunspecial.com.br](http://www.sunspecial.com.br)

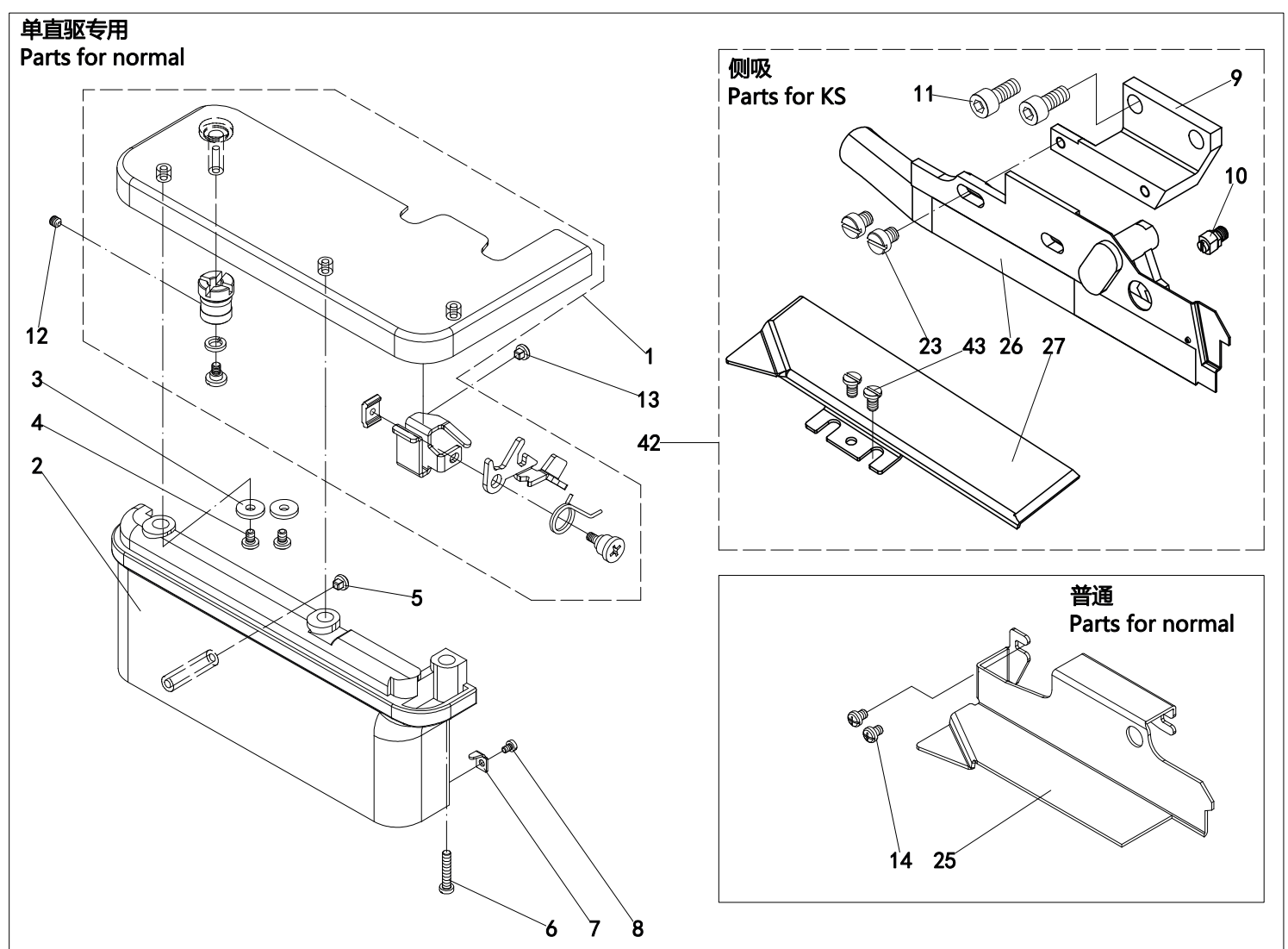
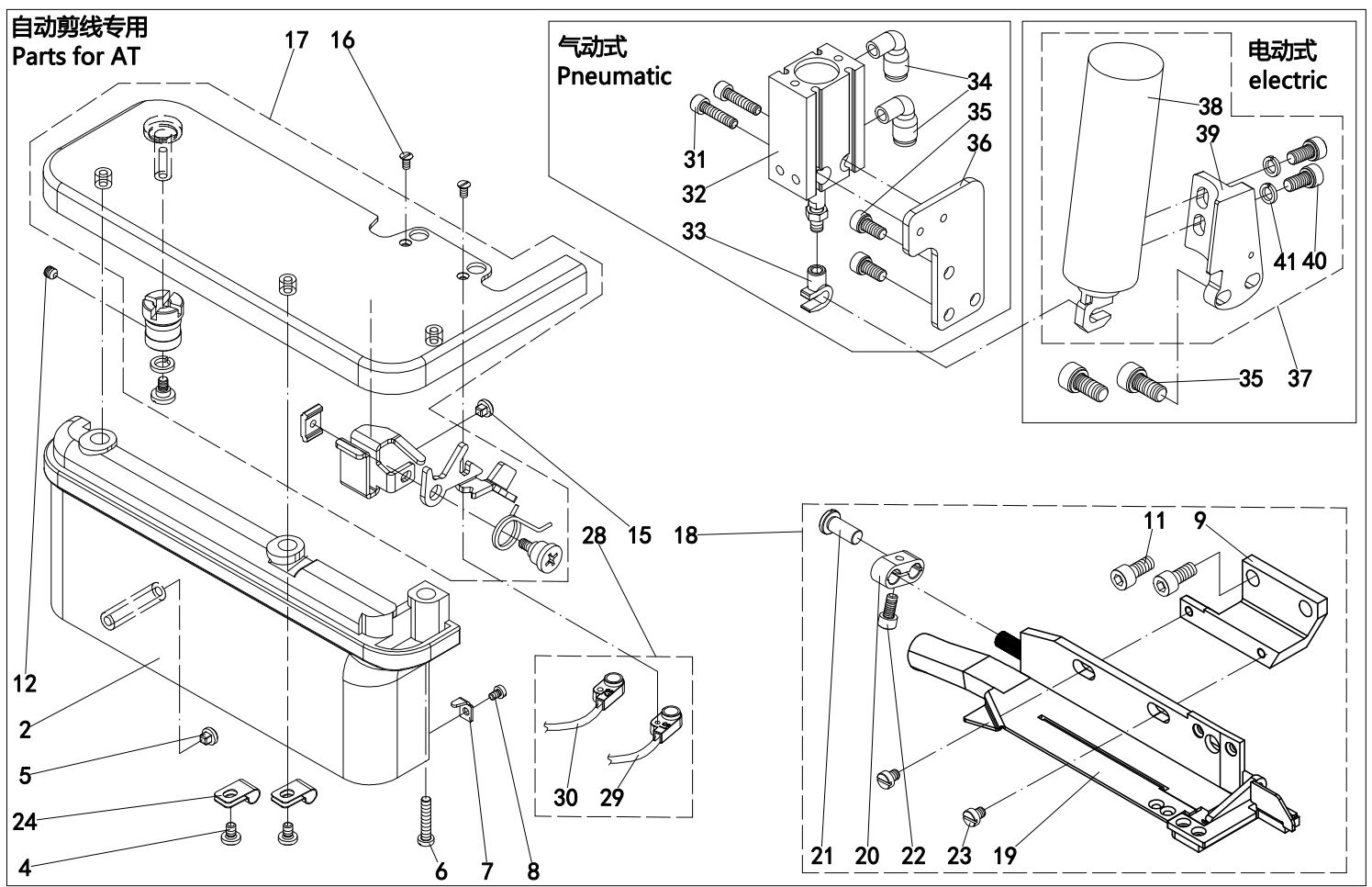
# 1.机壳外围部分/Machine frame mechanism



# 1.机壳外围部分/Machine frame mechanism

序号 No.	公司件号 Part No.	名称	Description	数量 (Number)			备注 Remark
				三 线 Three-thread	四 线 Four-thread	五 线 Five-thread	
1	120210001	机壳	Machine frame unit	1	1	1	-
2	120010031	上盖密封圈	Cover oil seal	1	1	1	-
3	109010201	上盖	Top cover	1	1	1	-
4	7021A	十字槽开槽盘头螺钉M4 L=12	Screw M4 L=12	7	7	7	-
5	101010013	油窗防油圈	Oil ring	1	1	1	-
6	101010012	油窗	Oil window	1	1	1	-
7	109010511	过线板	Thread guide	1	1	1	-
8	7017A	十字槽开槽盘头螺钉M4 L=5	Screw M4 L=5	8	8	8	-
9	601010001	橡胶塞 $\phi$ 23*H6	Plug	1	1	1	-
10	120010110	面板	Cover	1	1	1	-
11	120010111	面板密封圈	Cover gasket	1	1	1	-
12	120010112	LED发光面板	LED Luminescence Panel	1	1	1	-
13	202875	平垫圈 $\phi$ 3.3 $\times$ $\phi$ 6.7 $\times$ 0.8	Washer $\phi$ 3.3 $\times$ $\phi$ 6.7 $\times$ 0.8	3	3	3	-
14	120010114	LED发光面板罩	LED luminous panel cover	1	1	1	-
15	7010	开槽圆柱头螺钉M3 L=6	Screw M3 L=6	3	3	3	-
16	120010116	护眼罩支架	Goggles support	1	1	1	-
17	210307	波形垫片 $\phi$ 6.9 $\times$ $\phi$ 10.5 $\times$ 0.5	Waveform gasket	2	2	2	-
18	7066	轴位螺钉D6 H3 M4 L=3.5	Shaft screw	1	1	1	-
19	120010004	护目镜	Goggles	1	1	1	-
20	109010113	上光眼组件	Sensor ass.	1	1	1	自动剪线
21	109010167	LED机头灯组件	Light	1	1	1	单直驱
22	7008	开槽圆柱头螺钉M3 L=3.5	Screw M3 L=3.5	2	2	2	-
23	4573	内六角圆柱头螺钉M4 L=5	Screw M4 L=5	1	1	1	-
24	7018A	十字槽开槽盘头螺钉M4 L=7	Screw M4 L=7	0	0	1	-
25	275038	过线	Thread guide	0	0	1	-
26	YP094	下刀座	Knife support	1	1	1	自动剪线
27	27008-91	下刀座	Knife support	1	1	1	单直驱
28	4511	内六角圆柱头螺钉M6 L=25	Screw M6 L=25	2	2	2	-
29	270047	机头支柱螺钉	Machine frame support	4	4	4	-
30	240310	橡胶塞 $\phi$ 15*H8	Plug	1	1	1	-
31	270028	前弯针盖板	Cover	1	1	1	-
32	7020A	十字槽开槽盘头螺钉M4 L=10	Screw M4 L=10	6	6	6	-
33	109010164	电线压板	Wire clamp	1	1	1	-
34	402020047	型号牌	Type plate	1	1	1	-
35	401040041	铆钉	Rivet	2	2	2	-
36	210044	前盖板锁紧舌	Front cover lock	1	1	1	-
37	109010104	过线	Thread guide	1	1	1	-
38	270015	下刀架盖板	Cover	1	1	1	-
39	109010232	前盖板罩板	Cover	1	1	0	-
40	109010211	前盖板罩板	Cover	0	0	1	-
41	7043	开槽沉头螺钉M4 L=7	Screw M4 L=7	2	2	2	-
42	270049	缝台侧盖限位板	Limit board	1	1	1	-
43	109010218	前门板	Cover	1	1	1	-
44	4543	内六角凹端紧定螺钉M4 L=4	Screw M4 L=4	2	2	2	-
45	219515	铰链	Hinge	1	1	1	-
46	7180	开槽圆柱头螺钉M3.5 L=4	Screw M3.5 L=4	1	1	1	-
47	240301	铰链销弹簧	Spring	1	1	1	-
48	240043	铰链销	Pin	1	1	1	-
49	270018	前门板展开限位板	Limit board	1	1	1	-
50	209687	后盖板	Cover	1	1	1	-
51	270017	前门板闭合限位板	Limit board	1	1	1	-
52	7019A	十字槽开槽盘头螺钉M4 L=8	Screw M4 L=8	4	4	4	-
53	401070176	单抬压脚包缝一体电控	Electrical control box	1	1	1	-
54	401070156	全自动包缝一体电控	Electrical control box	1	1	1	-
55	109010155	内六角圆柱头螺钉M5 L=22	Screw M5 L=22	4	4	4	-
56	120010010	左上盖	Cover	1	1	1	-
57	7084	六角头开槽螺钉M4 L=8	Screw M4 L=8	5	5	5	-
58	2755400	橡胶塞 $\phi$ 19*H8	Plug	1	1	1	-
59	208173	橡胶塞 $\phi$ 15*H4	Plug	1	1	1	-
60	240110	橡胶塞 $\phi$ 20*H7	Plug	1	1	1	-
61	-	-	-	-	-	-	-
62	-	-	-	-	-	-	-
63	-	-	-	-	-	-	-
64	-	-	-	-	-	-	-
65	-	-	-	-	-	-	-

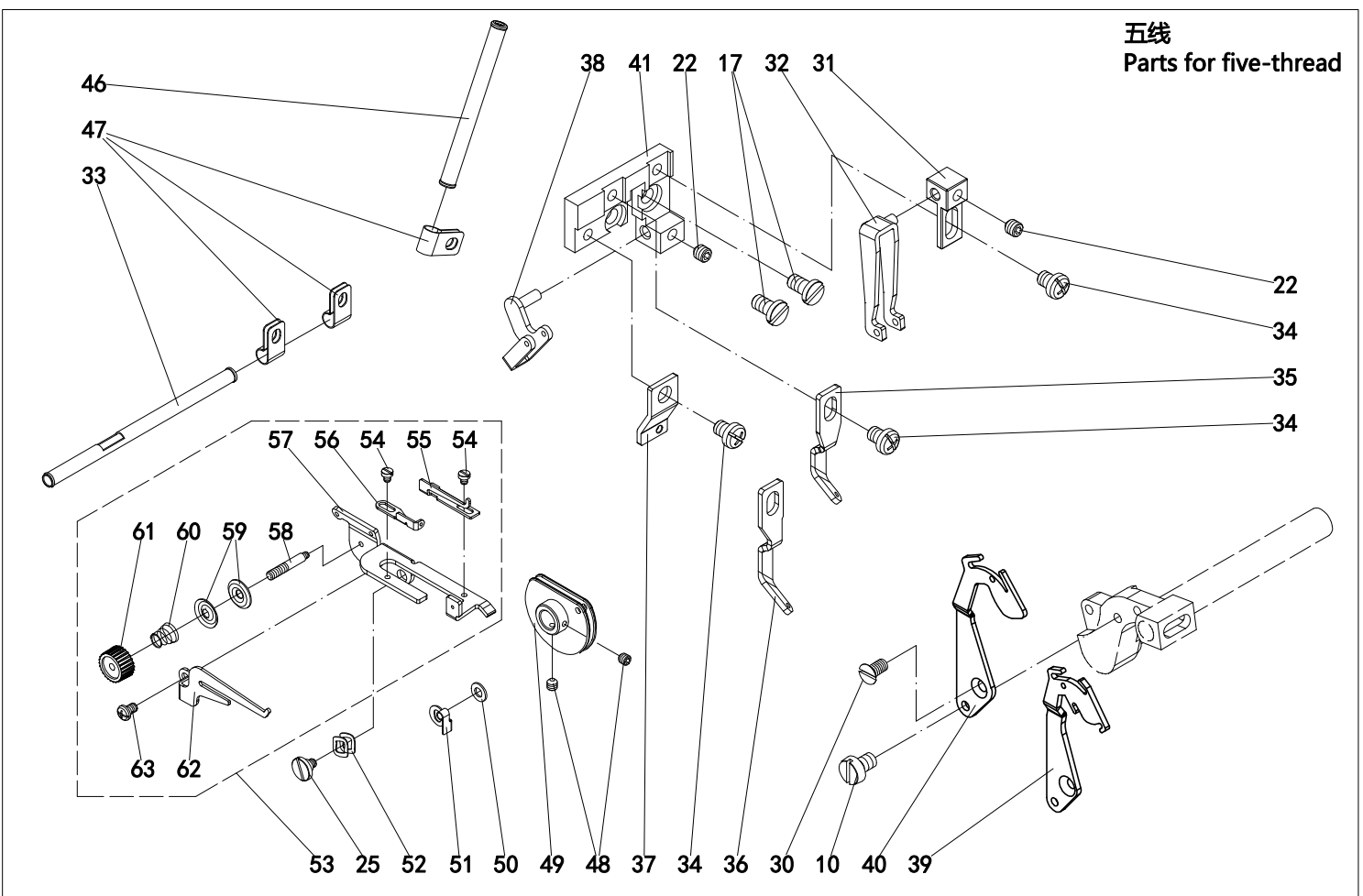
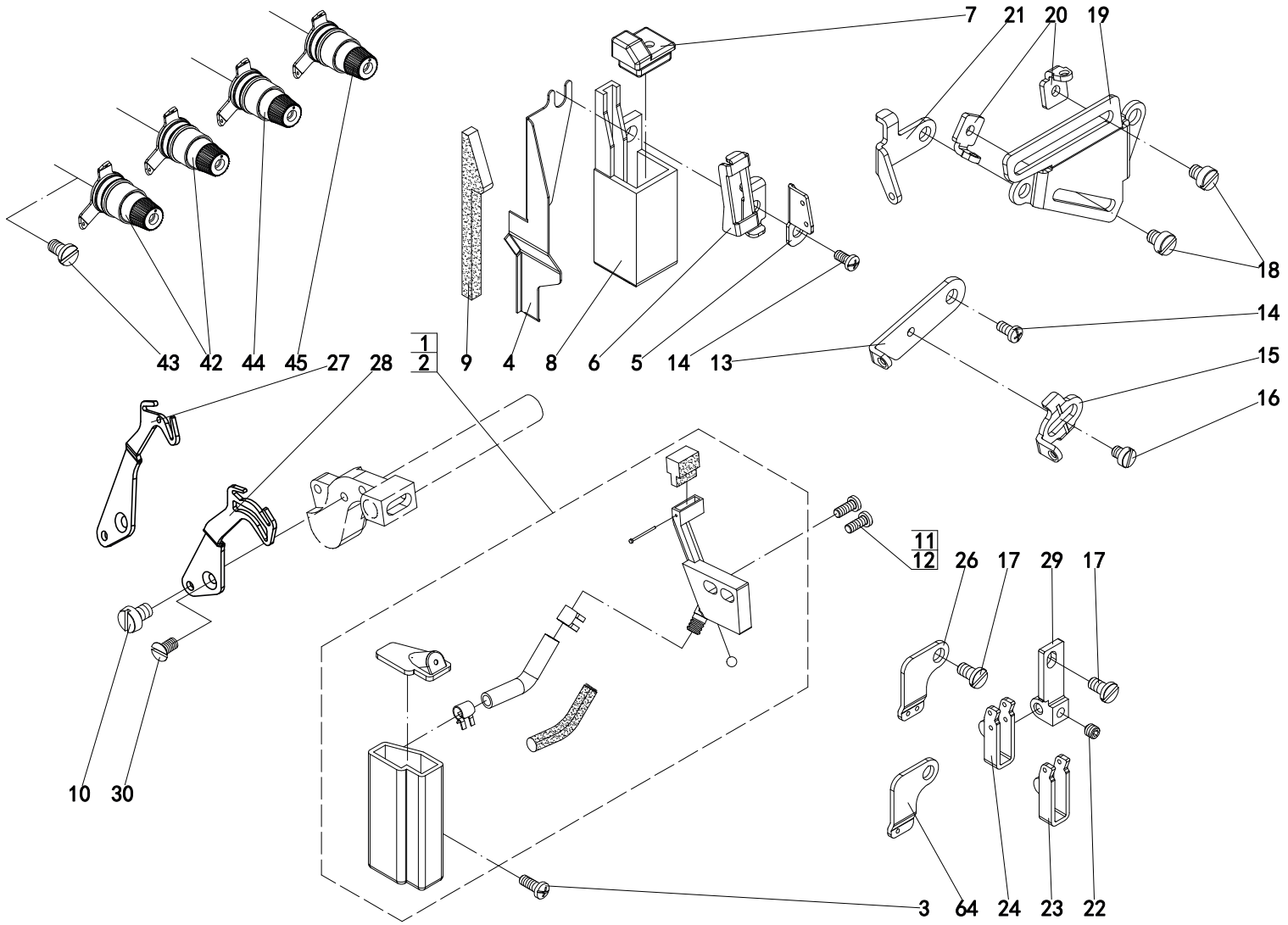
## 2. 缝台机罩及剪线部分/Cover and trimming mechanism



## 2.缝台机罩及剪线部分/Cover and trimming mechanism

序号 No.	公司件号 Part No.	名称	Description	数量 (Number)			备注 Remark
				三 Three-thread	四 Four-thread	五 Five-thread	
1	270036	缝台	Cloth plate	1	1	1	-
2	270030	缝台罩壳	Cover	1	1	1	-
3	240343	平垫圈 $\phi 4.5 \times \phi 13.5 \times 2$	Washer $\phi 4.5 \times \phi 13.5 \times 2$	2	2	2	-
4	7018A	十字槽开槽盘头螺钉M4 L=7	Screw M4 L=7	2	2	2	-
5	240305-3	减震垫	Cushion	1	1	1	-
6	7025A	十字槽开槽盘头螺钉M4 L=20	Screw M4 L=20	1	1	1	-
7	270048	缝台侧盖限位板	Limit board	1	1	1	-
8	7009	开槽圆柱头螺钉M3 L=4.5	Screw M3 L=4.5	1	1	1	-
9	-	刀组安装支架	Bracket	1	1	1	-
10	-	滑块	Slider	1	1	1	-
11	4515	内六角圆柱头螺钉M6 L=14	Screw M6 L=14	2	2	2	-
12	4543	内六角凹端紧定螺钉M4 L=4	Screw M4 L=4	1	1	1	-
13	240305-3	减震垫	Cushion	1	1	1	-
14	7017A	十字槽开槽盘头螺钉M4 L=5	Screw M4 L=5	2	2	2	-
15	240305-1	减震垫	Cushion	1	1	1	-
16	404460010	开槽沉头螺钉M3 L=6	Screw M3 L=6	2	2	2	-
17	109010212	缝台	Cloth plate	1	1	1	-
18	140020048	横斩刀组	Horizontal Knife Group	1	1	1	-
19	-	布料挡板组件	Fabric baffles	1	1	1	-
20	-	剪线连杆	Link	1	1	1	-
21	-	剪线连杆销	Pin	1	1	1	-
22	7110	内六角圆柱头螺钉M4 L=9	Screw M4 L=9	1	1	1	-
23	7079	开槽圆柱头螺钉M5 L=6	Screw M5 L=6	2	2	2	-
24	206115	R型线夹 $\phi 7.5 \times 5$	Type R binder	2	2	2	-
25	270019	挡料板	Fabric panel	1	1	1	-
26	-	侧吸刀	side draught knife	1	1	1	-
27	-	缝台接板	Cloth plate fishplate bar	1	1	1	-
28	140020045	下光眼组件	Sensor ass.	1	1	1	-
29	-	前光眼	Sensor	1	1	1	-
30	-	中光眼	Sensor	1	1	1	-
31	109010155	内六角圆柱头螺钉M5 L=22	Screw M5 L=22	2	2	2	-
32	401020006	剪线气缸	Cylinder	4	4	4	-
33	109011129	剪线驱动钩	Hook	1	1	1	-
34	109011124	气动弯管接头	Tracheal joint	2	2	2	-
35	404430001	内六角圆柱头螺钉M6 L=12	Screw M6 L=12	2	2	2	-
36	401020038	剪线气缸固定座	Support	1	1	1	-
37	401020011	剪线电磁铁	Electromagnet ass.	1	1	1	-
38	-	剪线电磁铁部件	Electromagnet	1	1	1	-
39	-	剪线电磁铁支架	Support	1	1	1	-
40	-	内六角圆柱头螺钉M6 L=12	Screw M6 L=12	2	2	2	-
41	-	弹性垫圈M4	Elastic washer	2	2	2	-
42	104040009	侧吸刀组	side draught knife	1	1	1	-
43	-	开槽圆柱头螺钉M4 L=7	Screw M4 L=7	2	2	2	-
44	-	-	-	-	-	-	-
45	-	-	-	-	-	-	-
46	-	-	-	-	-	-	-
47	-	-	-	-	-	-	-
48	-	-	-	-	-	-	-
49	-	-	-	-	-	-	-
50	-	-	-	-	-	-	-
51	-	-	-	-	-	-	-
52	-	-	-	-	-	-	-
53	-	-	-	-	-	-	-
54	-	-	-	-	-	-	-
55	-	-	-	-	-	-	-
56	-	-	-	-	-	-	-
57	-	-	-	-	-	-	-
58	-	-	-	-	-	-	-
59	-	-	-	-	-	-	-
60	-	-	-	-	-	-	-
61	-	-	-	-	-	-	-
62	-	-	-	-	-	-	-
63	-	-	-	-	-	-	-
64	-	-	-	-	-	-	-
65	-	-	-	-	-	-	-

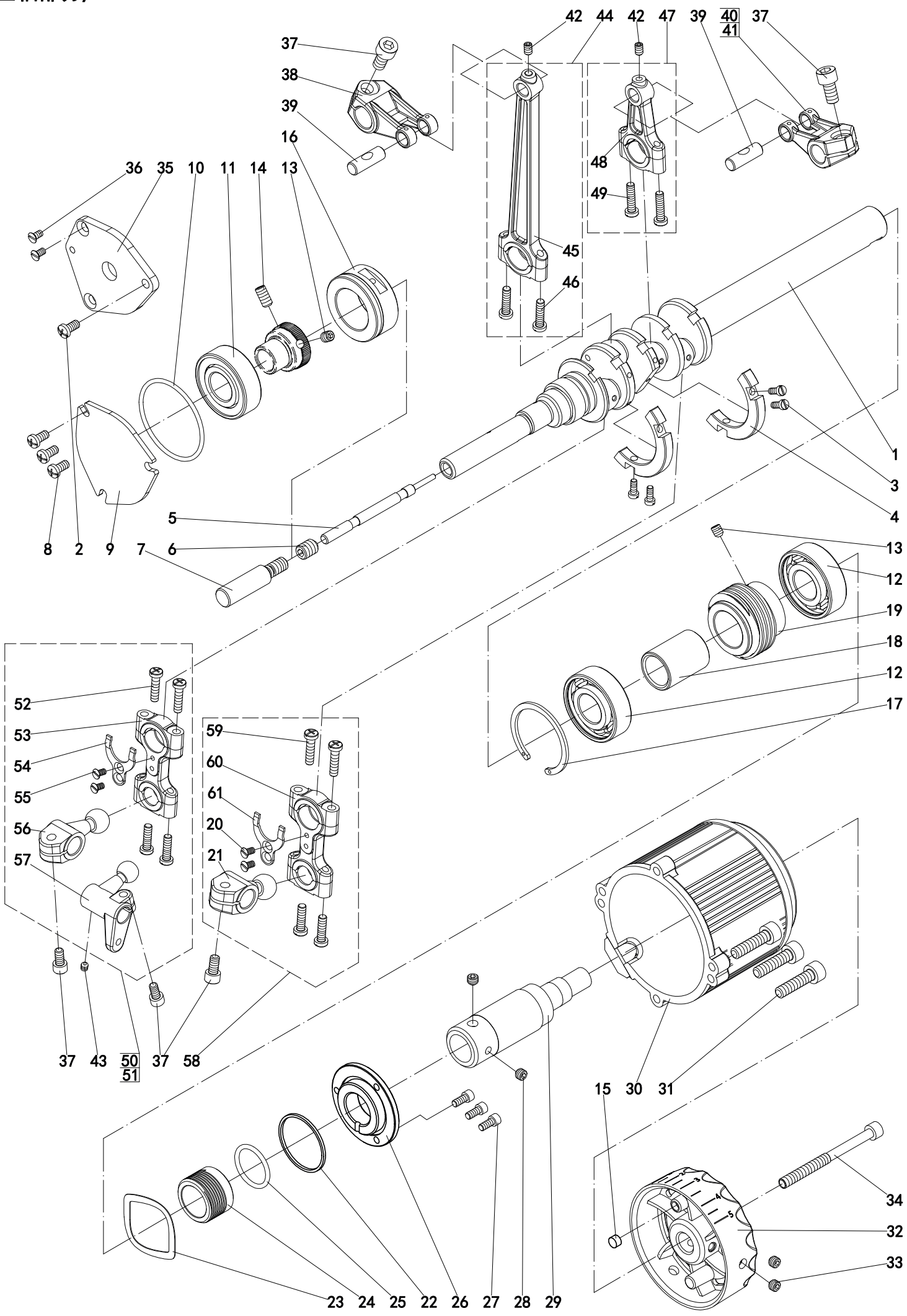
### 3.过线部分/Miscellaneous covers mechanism



### 3.过线部分/Miscellaneous covers mechanism

序号 No.	公司件号 Part No.	名称	Description	数量 (Number)			备注 Remark
				三线 Three-thread	四线 Four-thread	五线 Five-thread	
1	275504	下硅油盒组件	Silicon oil box	1	1	0	-
2	275506	下硅油盒组件	Silicon oil box	0	0	1	-
3	7020A	十字槽开槽盘头螺钉M4 L=10	Screw M4 L=10	1	1	1	-
4	277888	挡油板	Oil shield	1	1	1	-
5	109010003	上硅油盒过线	Thread guide	1	1	1	-
6	2755020	机针冷却器棉压架	Shelf	1	1	1	-
7	2755010	上硅油盒盖	Silicon oil box cover	1	1	1	-
8	275500	上硅油盒	Silicon oil box	1	1	1	-
9	275503	上硅油盒油棉	Oil cotton	1	1	1	-
10	7009	开槽圆柱头螺钉M3 L=4.5	Screw M3 L=4.5	1	1	1	-
11	7020A	十字槽开槽盘头螺钉M4 L=10	Screw M4 L=10	2	2	0	-
12	7019A	十字槽开槽盘头螺钉M4 L=8	Screw M4 L=8	0	0	2	-
13	275005	过线	Thread guide	1	1	1	-
14	7019A	十字槽开槽盘头螺钉M4 L=8	Screw M4 L=8	2	2	2	-
15	275006	过线	Thread guide	1	1	1	-
16	7008	开槽圆柱头螺钉M3 L=3.5	Screw M3 L=3.5	1	1	1	-
17	7082	开槽圆柱头螺钉M4 L=7	Screw M4 L=7	2	2	2	-
18	7180	开槽圆柱头螺钉M3.5 L=4	Screw M3.5 L=4	2	2	2	-
19	275004	托架	Support	1	1	1	-
20	275047	过线	Thread guide	2	2	2	-
21	275007	过线	Thread guide	1	1	1	-
22	4543	内六角凹端紧定螺钉M4 L=4	Screw M4 L=4	1	1	2	-
23	275013A0	过线	Thread guide	1	0	0	-
24	275013	过线	Thread guide	0	1	0	-
25	7066	轴位螺钉D6 H3 M4 L=3.5	Shaft screw	0	0	1	-
26	275018A0	机针过线	Thread guide	0	1	0	-
27	275016	挑线勾	Thread guide	1	0	0	-
28	275017	挑线勾	Thread guide	0	1	0	-
29	275015	过线架	Support	1	1	0	-
30	7041	开槽沉头螺钉M3 L=6	Screw M3 L=6	1	1	1	-
31	275026	过线架	Support	0	0	1	-
32	2750240	二孔过线	Thread guide	0	0	5	-
33	109010152	过线管	Thread guide	0	0	1	-
34	7017A	十字槽开槽盘头螺钉M4 L=5	Screw M4 L=5	0	0	3	-
35	2750280	过线	Thread guide	0	0	1	普通/宽边
36	2750570	过线	Thread guide	0	0	1	厚料
37	275052	过线	Thread guide	0	0	1	-
38	2750220	过线	Thread guide	0	0	1	-
39	109010016	挑线勾	Thread guide	0	0	1	厚料
40	109010015	挑线勾	Thread guide	0	0	1	普通/宽边
41	275021	过线架	Support	0	0	1	-
42	105010005	夹线器组件	Splitter	1	2	0	-
43	4009	开槽圆柱头螺钉SM11/64×40 L=7	Screw SM11/64×40 L=7	1	0	0	-
44	105010004	夹线器组件	Splitter	1	1	1	-
45	105010006	夹线器组件	Splitter	1	1	1	-
46	275031	过线管	Thread guide	0	0	1	-
47	206115	R型线夹 $\phi$ 7.5×5	Type R binder	0	0	3	-
48	4554	内六角凹端紧定螺钉M3 L=3	Screw M3 L=3	0	0	2	-
49	179498-92	打线凸轮	Looper thread takeup	0	0	1	-
50	303448	平垫圈 $\phi$ 4.5× $\phi$ 9×0.8	Washer $\phi$ 4.5× $\phi$ 9×0.8	0	0	1	-
51	275037	打线凸轮架限位簧	Spring	0	0	1	-
52	210307	波形垫片 $\phi$ 6.9× $\phi$ 10.5×0.5	Waveform gasket	0	0	1	-
53	275033A	打线架组件	Looper thread takeup ass.	0	0	1	-
54	7008	开槽圆柱头螺钉M3 L=3.5	Screw M3 L=3.5	0	0	2	-
55	275036	过线	Thread guide	0	0	1	-
56	275039	过线	Thread guide	0	0	1	-
57	275033	打线凸轮架	Support	0	0	1	-
58	7167	夹线螺钉	Screw	0	0	1	-
59	137108	夹线片	Splint	0	0	2	-
60	211388	弹簧	Spring	0	0	1	-
61	275034	夹线螺母	Nut	0	0	1	-
62	275035	分线板	Thread guide	0	0	1	-
63	7018A	十字槽开槽盘头螺钉M4 L=7	Screw M4 L=7	0	0	1	-
64	2750180	机针过线	Thread guide	1	0	0	-
65	-	-	-	-	-	-	-

# 4. 主轴部分/Crankshaft drive mechanism

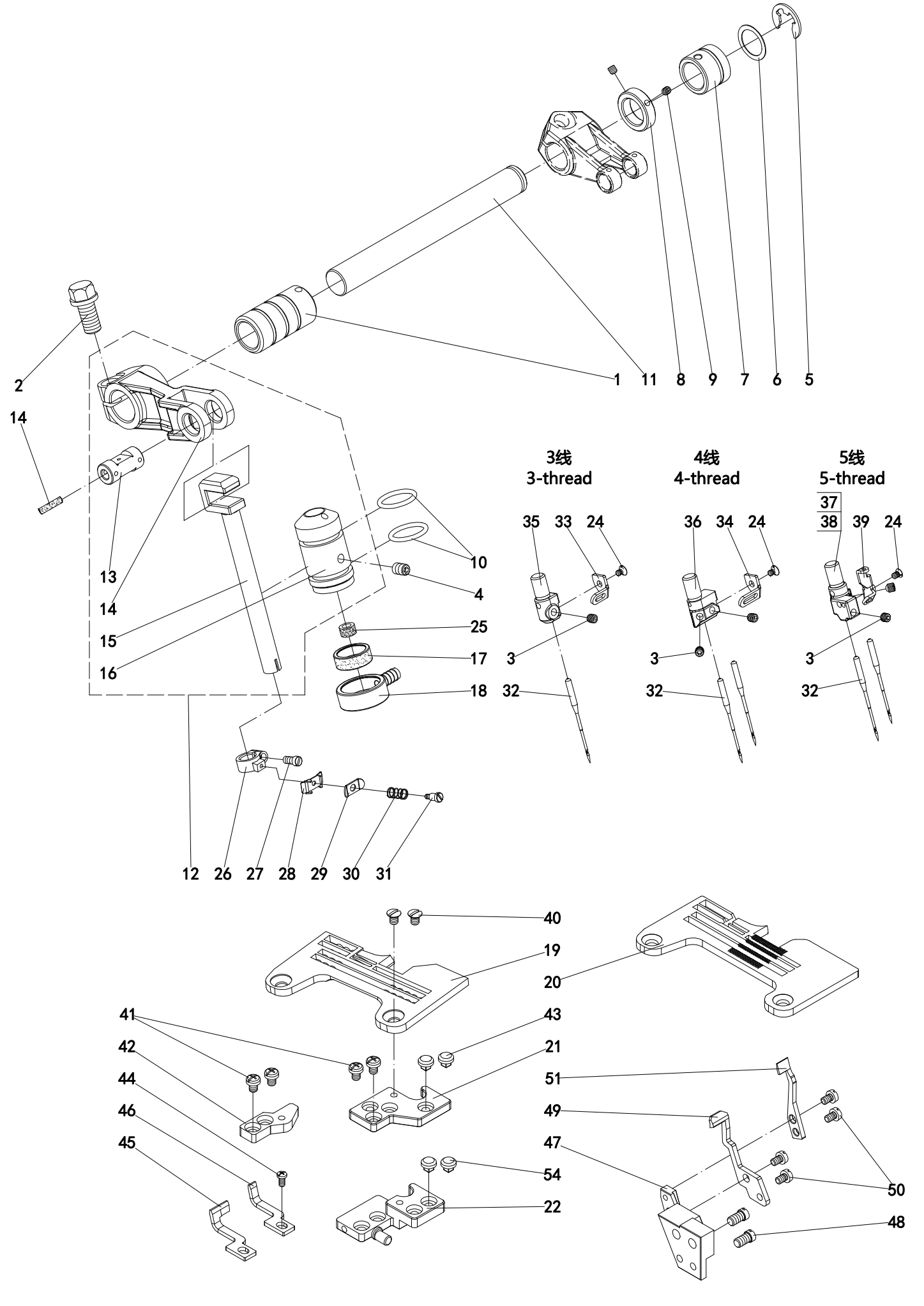




#### 4.主轴部分/Crankshaft drive mechanism

序号 No.	公司件号 Part No.	名称	Description	数量 (Number)			备注 Remark
				三 线 Three - thread	四 线 Four - thread	五 线 Five - thread	
1	109010401	主轴	Main shaft	1	1	1	-
2	7019A	十字槽开槽盘头螺钉M4 L=8	Screw M4 L=8	0	0	1	-
3	7011	开槽圆柱头螺钉M3 L=7	Screw M3 L=7	4	4	4	-
4	270502	平衡块	Balance Block	2	2	2	-
5	270503	限油销	Restrict oil sales	1	1	1	-
6	4556	内六角尖端紧定螺钉M6 L=10	Screw M6 L=10	1	1	0	-
7	270510	主轴接轴	Shaft	0	0	1	-
8	7019A	十字槽开槽盘头螺钉M4 L=8	Screw M4 L=8	3	3	0	-
9	270508	前轴承盖	Cover	1	1	0	-
10	240340	O型圈40×2	O-ring	1	1	1	-
11	404710002	深沟球轴承6202RZ	Bearing	1	1	1	-
12	404710003	深沟球轴承6203RZ	Bearing	2	2	2	-
13	4539	内六角凹端紧定螺钉M5 L=6	Screw M5 L=6	2	2	2	-
14	4572	内六角凹端紧定螺钉M5 L=10	Screw M5 L=10	1	1	1	-
15	109011167	磁铁 $\phi 5 \times 3$	Magnet	1	1	1	-
16	201526	主轴套筒 $\phi 22 \times \phi 35 \times 15$	Sleeve	1	1	1	-
17	240335	孔用挡圈40	Antiextrusion ring	1	1	1	-
18	109010419	隔套 $\phi 17 \times \phi 23 \times 30$	Cushion covers	1	1	1	-
19	274504	蜗杆	Worm	1	1	1	-
20	-	开槽沉头螺钉M3 L=6	Screw M3 L=6	2	2	2	-
21	-	上弯针球曲柄	Crank	1	1	1	-
22	240307	密封圈	Seal rings	1	1	1	-
23	240306	波形垫片 $\phi 31 \times \phi 39 \times 0.4$	Waveform gasket	1	1	1	-
24	101010112	主轴后衬套	Bushing	1	1	1	-
25	404110001	O型圈16×1.8	O-ring	1	1	1	-
26	211528	端盖	Cover	1	1	1	-
27	7019A	十字槽开槽盘头螺钉M4 L=8	Screw M4 L=8	3	3	3	-
28	4547	内六角凹端紧定螺钉M6×0.75 L=5	Screw M6×0.75 L=5	2	2	2	-
29	-	电机转子	Motor rotor	1	1	1	-
30	-	电机定子	Motor stator	1	1	1	-
31	404430005	内六角圆柱头螺钉M5 L=18	Screw M5 L=18	4	4	4	-
32	120110033	手轮	Hand wheel	1	1	1	-
33	4514	内六角凹端紧定螺钉 M5 L=5	Screw M5 L=5	2	2	2	-
34	109010434	内六角圆柱头螺钉M6 L=70	Screw M6 L=70	1	1	1	-
35	270509	轴承盖	Cover	0	0	1	-
36	7041	开槽沉头螺钉M3 L=6	Screw M3 L=6	0	0	2	-
37	4533	内六角圆柱头螺钉M6×0.75 L=12	Screw M6×0.75 L=12	4	4	4	-
38	271002-92	上轴曲柄	Upper shaft crank	1	1	1	-
39	271001	送布杆连接销	Pin	2	2	2	-
40	273001A92	上刀架轴曲柄	Crank	1	1	0	-
41	273002A92	上刀架轴曲柄	Crank	0	0	1	-
42	4538	内六角凹端紧定螺钉M4 L=6	Screw M4 L=6	2	2	2	-
43	4514	内六角凹端紧定螺钉 M5 L=5	Screw M4 L=6	0	0	1	-
44	109010501	针杆连杆组	Link ass.	1	1	1	-
45	-	针杆连杆	Link	1	1	1	-
46	-	十字槽开槽盘头螺钉M4 L=16	Screw M4 L=16	2	2	2	-
47	109011011	上刀连杆组	Link ass.	1	1	1	-
48	-	上刀连杆	Link	1	1	1	-
49	-	十字槽开槽盘头螺钉M4 L=16	Screw M4 L=16	2	2	2	-
50	109010714	下弯针连杆组	Link ass.	1	1	0	-
51	109010716	下弯针连杆组	Link ass.	0	0	1	-
52	-	十字槽开槽盘头螺钉M4 L=16	Screw M4 L=16	4	4	4	-
53	-	弯针连杆	Link	1	1	1	-
54	-	叉子	Fork	1	1	1	-
55	-	开槽沉头螺钉M3 L=6	Screw M3 L=6	2	2	2	-
56	-	下弯针球曲柄	Crank	1	1	0	-
57	-	下弯针球曲柄	Crank	0	0	1	-
58	109010602	上弯针连杆组	Link ass.	1	1	1	-
59	-	十字槽开槽盘头螺钉M4 L=16	Screw M4 L=16	4	4	4	-
60	-	弯针连杆	Link	1	1	1	-
61	-	叉子	Fork	1	1	1	-
62	-	-	-	-	-	-	-
63	-	-	-	-	-	-	-
64	-	-	-	-	-	-	-
65	-	-	-	-	-	-	-

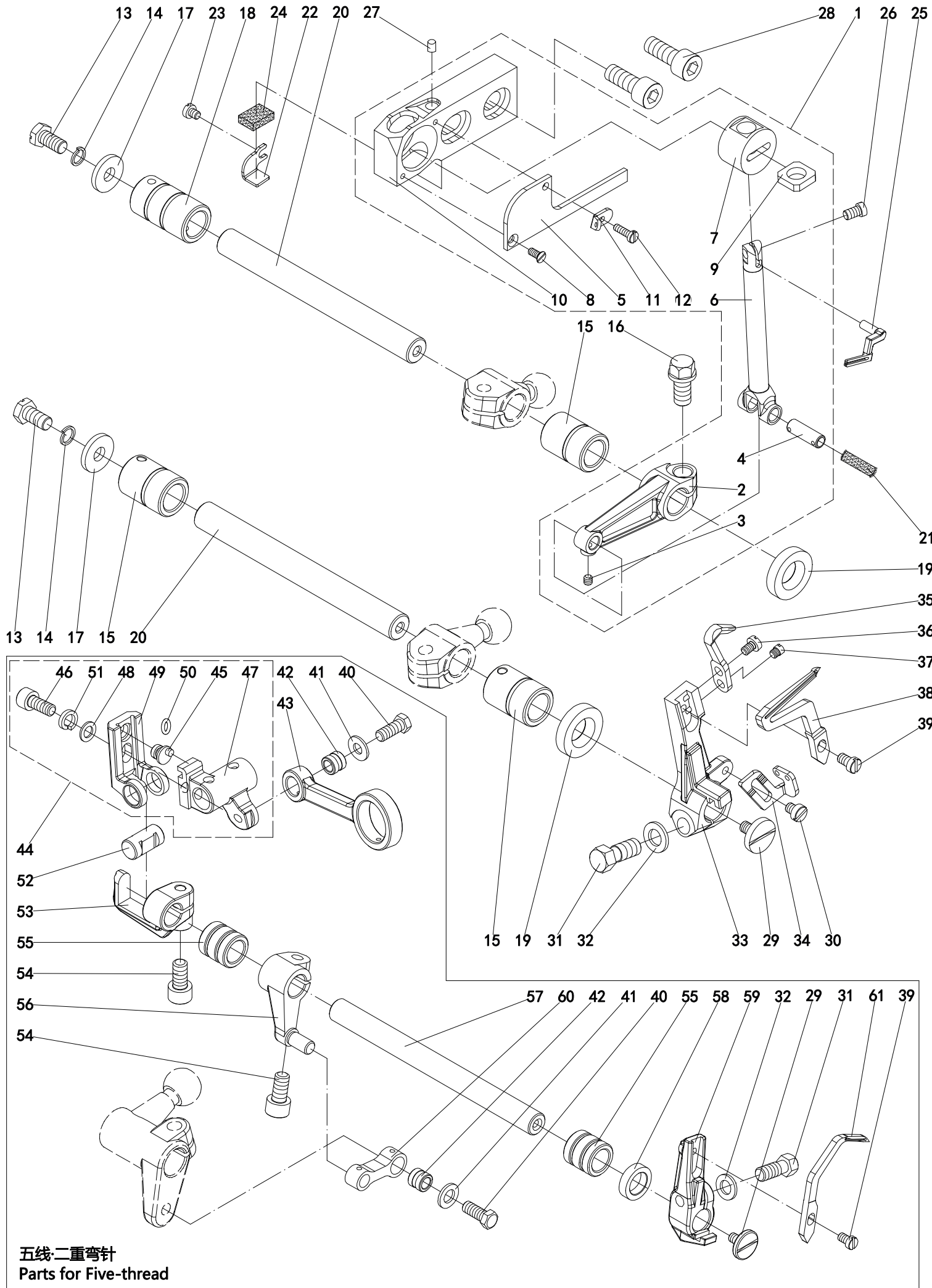
# 5.针杆部分/Needle drive mechanism



## 5.针杆部分/Needle drive mechanism

序号 No.	公司件号 Part No.	名称	Description	数量 (Number)			备注 Remark
				三线 Three-thread	四线 Four-thread	五线 Five-thread	
1	109010515	套筒 $\varnothing 12 \times \varnothing 17 \times 33$	Sleeve	1	1	1	-
2	7150	六角头螺钉M6 $\times 0.75$ L=12	Screw M6 $\times 0.75$ L=12	1	1	1	-
3	4554	内六角凹端紧定螺钉M3 L=3	Screw M3 L=3	1	2	2	-
4	4538	内六角凹端紧定螺钉M4 L=6	Screw M4 L=6	1	1	1	-
5	109010505	开口挡圈8	C-ring	1	1	1	-
6	208235	铜垫片 $\varnothing 12.1 \times \varnothing 16 \times 0.3$	Washer $\varnothing 12.1 \times \varnothing 16 \times 0.3$	1	1	1	-
7	577601	套筒 $\varnothing 12 \times \varnothing 17 \times 15.5$	Sleeve	1	1	1	-
8	240308	上轴挡圈 $\varnothing 12 \times \varnothing 18 \times 6.5$	Collar	1	1	1	-
9	4554	内六角凹端紧定螺钉M3 L=3	Screw M3 L=3	2	2	2	-
10	201022	O型圈11.5 $\times 1.5$	O-ring	2	2	2	-
11	20802009	上轴	Upper shaft	1	1	1	-
12	120020014	针杆曲柄组件	Needle crank ass.	1	1	1	-
13	-	曲柄销	Pin	1	1	1	-
14	-	针杆曲柄	Needle bar crank	1	1	1	-
15	-	针杆	Needle bar	1	1	1	-
16	-	针杆套	Bushing	1	1	1	-
17	109010021	针杆套回油棉	Felt	1	1	1	-
18	109010022	针杆套回油棉外壳	Grease seal	1	1	1	-
19	-	针板	Needle plate	1	1	1	单直驱
20	-	针板	Needle plate	1	1	1	自动剪线
21	271010	针板前垫块	Spacer block	1	1	1	单直驱
22	YP194	针板座	Spacer block	1	1	1	自动剪线
23	109010519	羊毛油线	Oil line	1	1	1	-
24	SM251	开槽沉头螺钉M2 L=3	M2 L=3	1	1	1	-
25	109010558	针杆套油棉	Oil cotton	1	1	1	-
26	271009	针杆轴固	Compact Circle	1	1	1	-
27	7035	开槽圆柱头螺钉M3 L=6	Screw M3 L=6	1	1	1	-
28	2750110	机针线压板	Thread guide	1	1	0	-
29	2750120	夹线片	Splint	1	1	0	-
30	240326	弹簧	Spring	1	1	0	-
31	7163	轴位螺钉D3 H3.5 M2 L=3	Shaft screw	1	1	0	-
32	-	机针	Needle	1	2	2	-
33	275019A0	过线	Thread guide	1	0	0	-
34	275019B	过线	Thread guide	0	1	0	-
35	405110004	针古	Needle holder	1	0	0	-
36	277022-92	针古	Needle holder	0	1	0	-
37	277027	针古	Needle holder	0	0	1	-
38	277029	针古	Needle holder	0	0	1	-
39	275030A	过线	Thread guide	0	0	1	-
40	7170	开槽半沉头螺钉M4 L=6	Screw M4 L=6	2	2	2	-
41	7017A	十字槽开槽盘头螺钉M4 L=5	Screw M4 L=5	4	4	4	-
42	271011	针板后垫块	Spacer block	1	1	1	-
43	240305-1	减震垫	Cushion	2	2	2	单直驱
44	7019A	十字槽开槽盘头螺钉M4 L=8	Screw M4 L=8	1	1	1	-
45	277005	护针	Needle guard	1	1	0	-
46	277008	护针	Needle guard	0	0	1	-
47	271013	托架	Support	0	0	1	-
48	7086	开槽圆柱头螺钉M4 L=7	Screw M4 L=7	0	0	1	-
49	277006	护针	Needle guard	0	0	1	-
50	7009	开槽圆柱头螺钉M3 L=4.5	Screw M3 L=4.5	0	0	1	-
51	277007	护针	Needle guard	0	0	1	-
52	240305-2	减震垫	Cushion	2	2	2	自动剪线
53	-	-	-	-	-	-	-
54	-	-	-	-	-	-	-
55	-	-	-	-	-	-	-
56	-	-	-	-	-	-	-
57	-	-	-	-	-	-	-
58	-	-	-	-	-	-	-
59	-	-	-	-	-	-	-
60	-	-	-	-	-	-	-
61	-	-	-	-	-	-	-
62	-	-	-	-	-	-	-
63	-	-	-	-	-	-	-
64	-	-	-	-	-	-	-
65	-	-	-	-	-	-	-

# 6.弯针部分/Looper drive mechanism

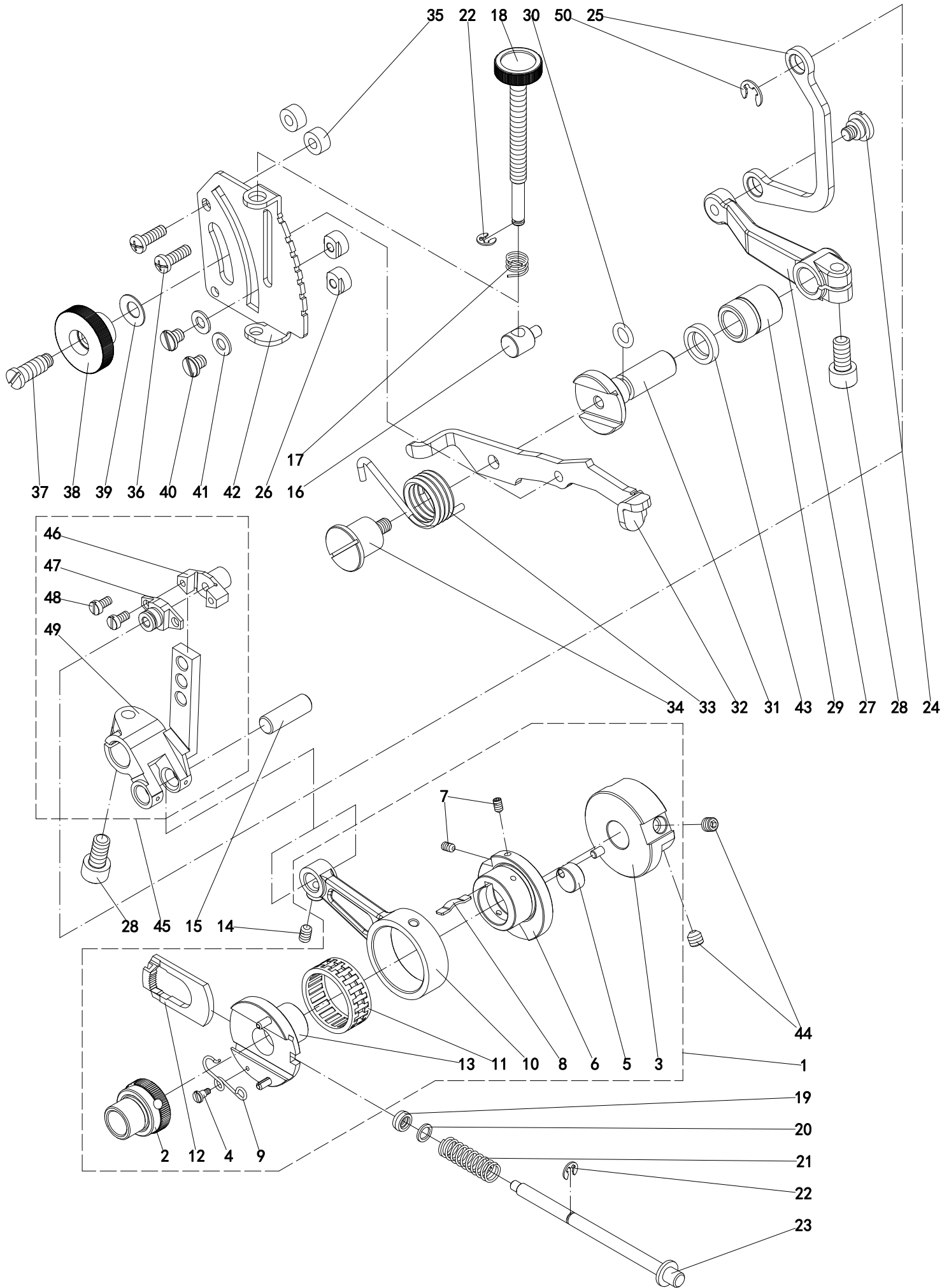


五线·二重弯针  
Parts for Five-thread

## 6.弯针部分/Looper drive mechanism

序号 No.	公司件号 Part No.	名称	Description	数量 (Number)			备注 Remark
				三 Three-thread	四 Four-thread	五 Five-thread	
1	109010612	上弯针滑杆组件	Upper bent needle slide bar ass.	1	1	1	-
2	271505	上弯针滑杆曲柄	Crank	1	1	1	-
3	4554	内六角凹端紧定螺钉M3 L=3	Screw M3 L=3	1	1	1	-
4	-	曲柄销	Pin	1	1	1	-
5	-	盖板	Cover	1	1	1	-
6	-	上弯针滑杆	Slide bar	1	1	1	-
7	-	上弯针滑块	Slide block	1	1	1	-
8	7039	开槽沉头螺钉M2.5 L=6	Screw M2.5 L=6	1	1	1	-
9	179130-05	油棉	Oil cotton	1	1	1	-
10	-	上弯针滑杆固定座	Support	1	1	1	-
11	275056	过线	Thread guide	1	1	1	-
12	7033	开槽圆柱头螺钉M2.5 L=8	Screw M2.5 L=8	1	1	1	-
13	7174	六角头开槽螺钉M5 L=10	Screw M5 L=10	2	2	2	-
14	303067	弹簧垫圈M5	Spring washer	2	2	2	-
15	109010615	套筒 $\varnothing 10 \times \varnothing 15 \times 20$	Sleeve	3	3	3	-
16	7150	六角头螺钉M6 $\times 0.75$ L=12	Screw M6 $\times 0.75$ L=12	1	1	1	-
17	240338	平垫圈 $\varnothing 5.5 \times \varnothing 14.2 \times 1.9$	Washer $\varnothing 5.5 \times \varnothing 14.2 \times 1.9$	1	1	1	-
18	109010610	套筒 $\varnothing 10 \times \varnothing 15 \times 27$	Sleeve	1	1	1	-
19	210586	唇形密封圈 $\varnothing 10 \times \varnothing 19 \times 4$	Lip seal ring	2	2	2	-
20	271504	弯针轴	Shaft	2	2	2	-
21	109010519	油线	Oil line	1	1	1	-
22	2745880	油棉压板	Cover	1	1	1	-
23	7008	开槽圆柱头螺钉M3 L=3.5	Screw M3 L=3.5	1	1	1	-
24	109010632	吸油棉	Oil cotton	1	1	1	-
25	-	上弯针	Upper looper	1	1	1	-
26	7054	开槽圆柱头螺钉M3.5 L=6	Screw M3.5 L=6	1	1	1	-
27	271519	油棉	Oil cotton	1	1	1	-
28	4510	内六角圆柱头螺钉M6 L=16	Screw M6 L=16	2	2	2	-
29	7169	开槽大圆柱头螺钉M4 L=7	Screw M4 L=7	1	1	2	-
30	7180	开槽圆柱头螺钉M3.5 L=4	Screw M3.5 L=4	1	1	1	-
31	404470002	六角头螺钉SM15/64 $\times 28$ L=15	Screw SM15/64 $\times 28$ L=15	1	1	2	-
32	404210002	平垫圈 $\varnothing 6 \times \varnothing 10.9 \times 1.1$	Washer $\varnothing 6 \times \varnothing 10.9 \times 1.1$	1	1	2	-
33	272001	下弯针架	Lower looper support	1	1	1	-
34	275009	过线	Thread guide	1	1	1	-
35	277004	护针	Needle guard	1	1	1	-
36	7009	开槽圆柱头螺钉M3 L=4.5	Screw M3 L=4.5	1	1	1	-
37	7165	开槽圆柱头螺钉M3 L=2.5	Screw M3 L=2.5	1	1	1	-
38	277015	下弯针	Lower looper	1	1	1	-
39	7012	开槽圆柱头螺钉M3.5 L=6	Screw M3.5 L=6	1	1	2	-
40	7056	六角头螺钉M5 $\times 0.5$ L=13	Screw M5 $\times 0.5$ L=13	0	0	2	-
41	204115	平垫圈 $\varnothing 5 \times \varnothing 11 \times 1$	Washer $\varnothing 5 \times \varnothing 11 \times 1$	0	0	2	-
42	179160-05	衬套 $\varnothing 5 \times \varnothing 8 \times 7$	Bushing	0	0	2	-
43	273500	偏心连杆	Link	0	0	1	-
44	109010732	滑块座组件	Slide Block Component	0	0	1	-
45	-	偏心销	Pin	0	0	1	-
46	-	内六角圆柱头螺钉M5 L=11.5	Screw M5 L=11.5	0	0	1	-
47	-	曲柄	Crank	0	0	1	-
48	-	平垫圈 $\varnothing 5.2 \times \varnothing 8.7 \times 0.8$	Washer $\varnothing 5.2 \times \varnothing 8.7 \times 0.8$	0	0	1	-
49	-	滑块座	Slide Block	0	0	1	-
50	208949	O型圈4 $\times 1.3$	O-ring	0	0	1	-
51	303067	弹簧垫圈M5	Spring washer	0	0	1	-
52	273504	销	Pin	0	0	1	-
53	273505-92	链线轴前后驱动支架	Support	0	0	1	-
54	4533	内六角圆柱头螺钉M6 $\times 0.75$ L=12	Screw M6 $\times 0.75$ L=12	0	0	2	-
55	110010014	套筒 $\varnothing 10 \times \varnothing 15 \times 15$	Sleeve	0	0	2	-
56	273509	链线曲柄	Crank	0	0	1	-
57	273506	链线弯针轴	Shaft	0	0	1	-
58	204052A	唇形密封圈 $\varnothing 10 \times \varnothing 15 \times 4$	Lip seal ring	0	0	1	-
59	273510	链线弯针架	Looper support	0	0	1	-
60	272517	牙架连杆	Link	0	0	1	-
61	277018	链线弯针	Looper	0	0	1	-
62	-	-	-	-	-	-	-
63	-	-	-	-	-	-	-
64	-	-	-	-	-	-	-
65	-	-	-	-	-	-	-

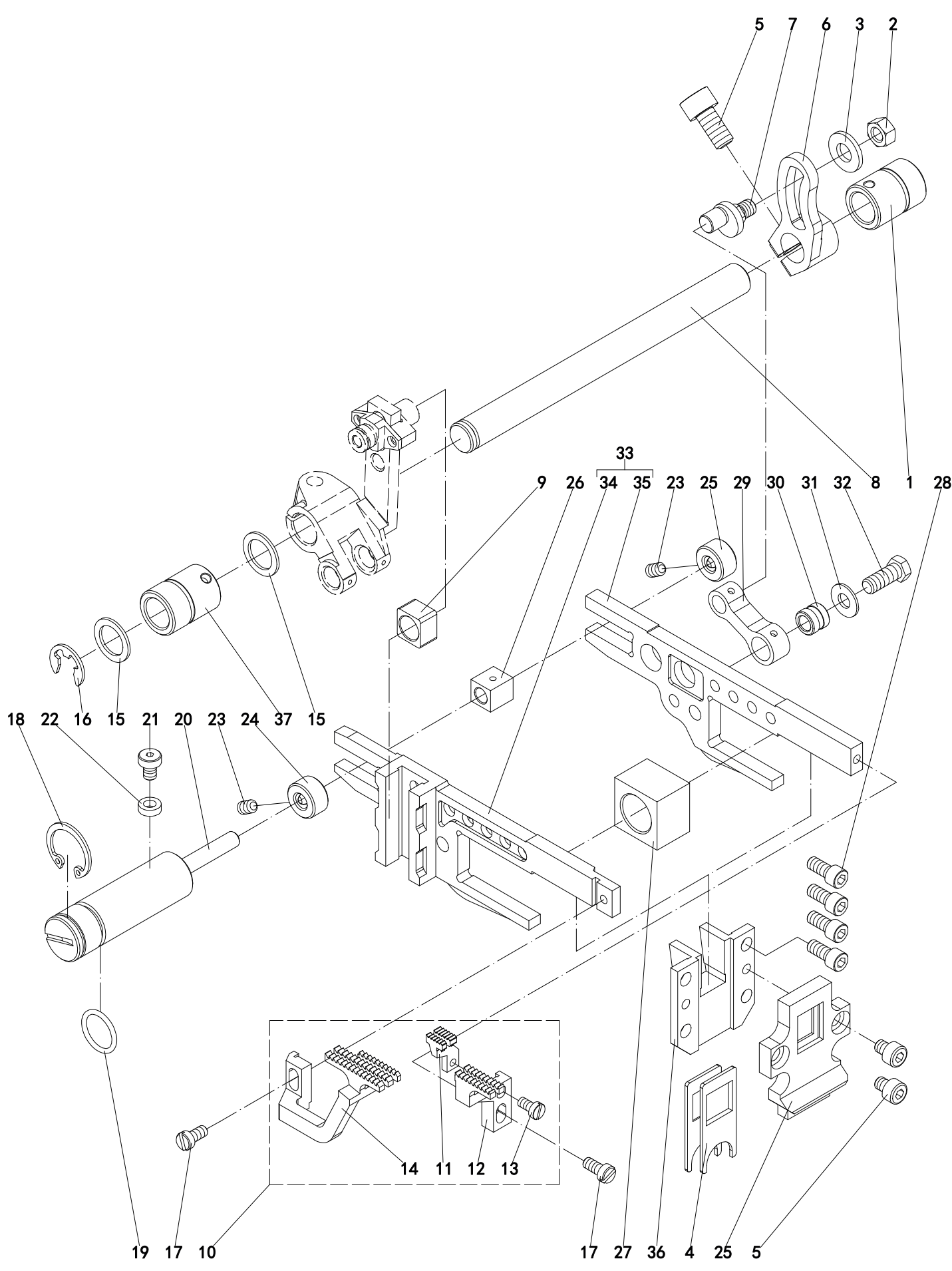
# 7. 差动送布部分/Differential feed mechanism



## 7.差动送布部分/Differential feed mechanism

序号 No.	公司件号 Part No.	名称	Description	数量 (Number)			备注 Remark
				三 Three-thread	四 Four-thread	五 Five-thread	
1	272506	送布组件	Feed components	1	1	1	-
2	-	轴承套	Bushing	1	1	1	-
3	-	送布偏心组件	Feed cam ass.	1	1	1	-
4	-	轴位螺钉	Shaft screw	1	1	1	-
5	-	小偏心轮	Cam	1	1	1	-
6	-	偏心轮	Cam	1	1	1	-
7	4535	内六角凹端紧定螺钉M3 L=5	Screw M3 L=5	2	2	2	-
8	-	弹簧板	Spring	1	1	1	-
9	-	弹簧	Spring	1	1	1	-
10	-	送料连杆	Link	1	1	1	-
11	-	滚针轴承Φ26×Φ22×10	Bearing	1	1	1	-
12	-	滑块	Slide block	1	1	1	-
13	-	开针偏心凸轮组件	Cam ass.	1	1	1	-
14	4538	内六角凹端紧定螺钉M4 L=6	Screw M4 L=6	1	1	1	-
15	271001	送布杆连接销	Pin	1	1	1	-
16	272539	差动调节螺母	Nut	1	1	1	-
17	109010817	弹簧	Spring	1	1	1	-
18	272538	调节螺钉	Adjust screw	1	1	1	-
19	240315	针距按钮油封	Oil seal	1	1	1	-
20	240314	平垫圈 $\phi 5 \times \phi 7 \times 0.8$	Washer $\phi 5 \times \phi 7 \times 0.8$	1	1	1	-
21	240317	针距按钮弹簧	Spring	1	1	1	-
22	YP089	开口挡圈3	C-ring	2	2	2	-
23	272509	针距按钮	Needle button shaft	1	1	1	-
24	7058	轴位螺钉D7.5 H3 M5 L=4	Shaft screw	1	1	1	-
25	272529	差动连杆	Link	1	1	1	-
26	210171	限位螺母	Nut	2	2	2	-
27	272530A92	差动曲柄	Crank	1	1	1	-
28	4533	内六角圆柱头螺钉M6×0.75 L=12	Screw M6×0.75 L=12	2	2	2	-
29	404820001	套筒 $\phi 10 \times \phi 15 \times 16.5$	Sleeve	1	1	1	-
30	404110003	O型圈6×1.8	O-ring	1	1	1	-
31	272533A	差动扳手轴	Differential wrench shaft	1	1	1	-
32	272532	差动扳手	Differential wrench	1	1	1	-
33	272534	差动扳手复位簧	Spring	1	1	1	-
34	7161	轴位螺钉D13 H12.5 M5 L=8.5	Shaft	1	1	1	-
35	109010835	隔垫 $\phi 4.2 \times \phi 9 \times 4.6$	Spacer	2	2	2	-
36	7021A	十字槽开槽盘头螺钉M4 L=12	Screw M4 L=12	2	2	2	-
37	404490002	阶梯螺钉M6×0.75 M5	Screw	1	1	1	-
38	179202-25	差动定位螺母	Nut	1	1	1	-
39	211301	蝶形垫片 $\phi 6.4 \times \phi 12.5 \times 0.5$	Butterfly gasket	1	1	1	-
40	5084	开槽圆柱头螺钉SM11/64×40 L=5.5	Screw SM11/64×40 L=5.5	2	2	2	-
41	201185	平垫圈 $\phi 4.6 \times \phi 9.8 \times 0.8$	Washer $\phi 4.6 \times \phi 9.8 \times 0.8$	2	2	2	-
42	272535	调节板	Adjustment board	1	1	1	-
43	404120001	唇形密封圈 $\phi 10 \times \phi 15 \times 3$	Oil seal	1	1	1	-
44	4514	内六角凹端紧定螺钉 M5 L=5	Screw M5 L=5	2	2	2	-
45	272511	差动器组件	Differential Brake Component	1	1	1	-
46	-	差动调整滑块A	Slide block	1	1	1	-
47	-	差动调整滑块B	Slide block	1	1	1	-
48	7010	开槽圆柱头螺钉M3 L=6	Screw M3 L=6	2	2	2	-
49	-	差动调整架	Support	1	1	1	-
50	YP288	开口挡圈6	C-ring	1	1	1	-
51	-	-	-	-	-	-	-
52	-	-	-	-	-	-	-
53	-	-	-	-	-	-	-
54	-	-	-	-	-	-	-
55	-	-	-	-	-	-	-
56	-	-	-	-	-	-	-
57	-	-	-	-	-	-	-
58	-	-	-	-	-	-	-
59	-	-	-	-	-	-	-
60	-	-	-	-	-	-	-
61	-	-	-	-	-	-	-
62	-	-	-	-	-	-	-
63	-	-	-	-	-	-	-
64	-	-	-	-	-	-	-
65	-	-	-	-	-	-	-

# 8.抬牙送布部分/Feed dog mechanism



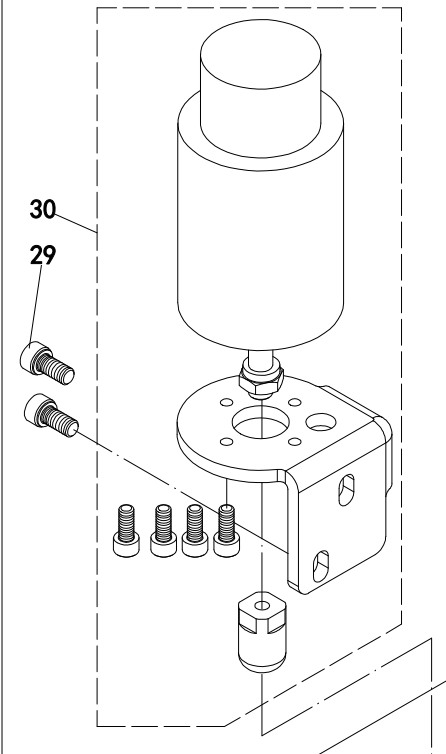


## 8.拾牙送布部分/Feed dog mechanism

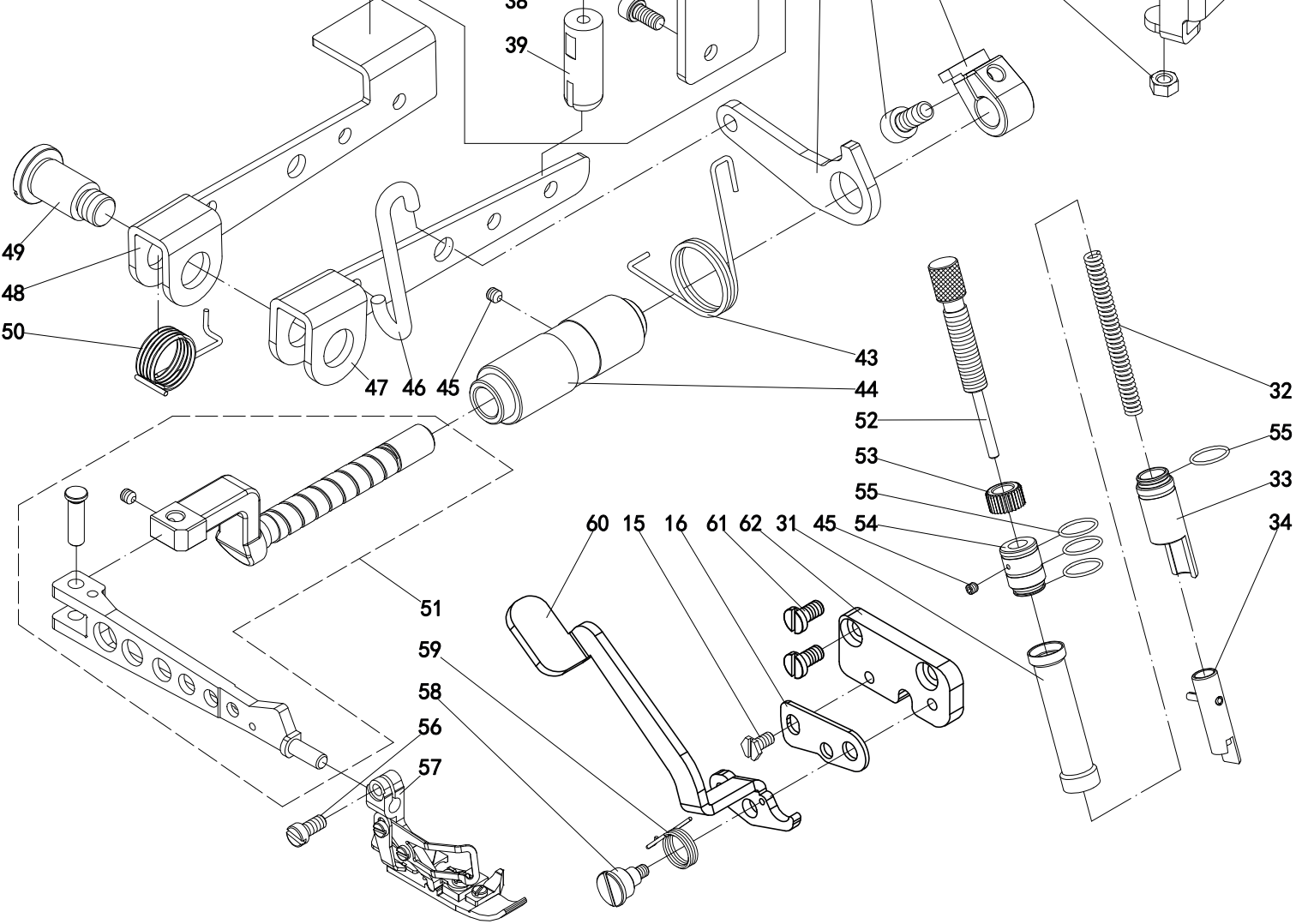
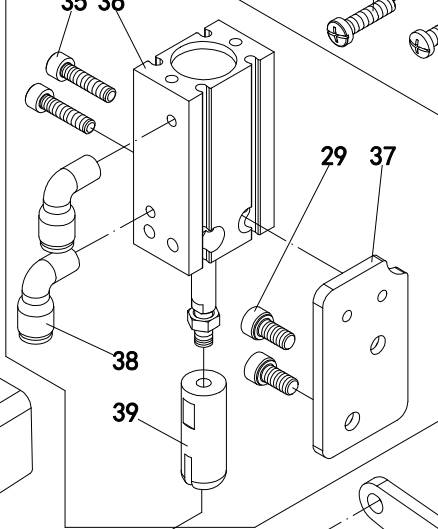
序号 No.	公司件号 Part No.	名称	Description	数量 (Number)			备注 Remark
				三线 Three-thread	四线 Four-thread	五线 Five-thread	
1	109010615	套筒 $\varnothing 10 \times \varnothing 15 \times 20$	Sleeve	1	1	1	-
2	4805	六角螺母M5	Nut M5	1	1	1	-
3	240062	平垫圈 $\varnothing 6.3 \times \varnothing 13 \times 1.5$	Washer $\varnothing 6.3 \times \varnothing 13 \times 1.5$	1	1	1	-
4	272521	活动油封	Oil seal	2	2	2	-
5	4573	内六角圆柱头螺钉M4 L=5	Screw M4 L=5	2	2	2	-
6	272514-92	送布曲柄	Crank	1	1	1	-
7	272515	偏心销	Pin	1	1	1	-
8	272516	送布轴	Shaft	1	1	1	-
9	272518	滑块	Slide block	1	1	1	-
10	-	送料牙组	Feed dog	1	1	1	-
11	-	辅助齿	Auxiliary feed dog	1	1	1	-
12	-	主送齿	Main feed dog	1	1	1	-
13	7010	开槽圆柱头螺钉M3 L=6	Screw M3 L=6	1	1	1	-
14	-	差动齿	Differential feed dog	1	1	1	-
15	109010915	铜垫片 $\varnothing 10.1 \times \varnothing 14.5 \times 0.3$	Washer $\varnothing 10.1 \times \varnothing 14.5 \times 0.3$	2	2	2	-
16	204010706	开口挡圈7	C-ring	1	1	1	-
17	7013	开槽圆柱头螺钉M3.5 L=7.5	Screw M3.5 L=7.5	2	2	2	-
18	240319	卡簧	Circlip	1	1	1	-
19	201022	O型圈 $11.5 \times 1.5$	O-ring	1	1	1	-
20	272525	偏心轴	Shaft	1	1	1	-
21	7238	内六角圆柱头螺钉M4 L=5.5	Screw M4 L=5.5	1	1	1	-
22	240318	防油圈	Oil seal	1	1	1	-
23	4538	内六角凹端紧定螺钉M4 L=6	Screw M4 L=6	2	2	2	-
24	240303	挡圈 $\varnothing 5 \times \varnothing 12 \times 6.5$	Collar	2	2	2	-
25	272522	密封导架	Sealed guide frame	1	1	1	-
26	272526	滑柱	Slide block	1	1	1	-
27	272524	铜滑块	Slide block	1	1	1	-
28	7110	内六角圆柱头螺钉M4 L=9	Screw M4 L=9	4	4	4	-
29	272517	牙架连杆	Link	1	1	1	-
30	179160-05	衬套 $\varnothing 5 \times \varnothing 8 \times 7$	bushing	1	1	1	-
31	204115	平垫圈 $\varnothing 5 \times \varnothing 11 \times 1$	Washer $\varnothing 5 \times \varnothing 11 \times 1$	1	1	1	-
32	7056	六角头螺钉M5 $\times 0.5$ L=13	Screw M5 $\times 0.5$ L=13	1	1	1	-
33	109010943	牙架组件	Feed dog support ass.	1	1	1	-
34	-	差动牙架	Differential feed dog support	1	1	1	-
35	-	送布牙架	Main feed dog support	1	1	1	-
36	272519	牙架导轨	Feed dog support guide	1	1	1	-
37	577301	套筒 $\varnothing 10 \times \varnothing 15 \times 20$	Sleeve	1	1	1	-
38	-	-	-	1	1	1	-
39	-	-	-	-	-	-	-
40	-	-	-	-	-	-	-
41	-	-	-	-	-	-	-
42	-	-	-	-	-	-	-
43	-	-	-	-	-	-	-
44	-	-	-	-	-	-	-
45	-	-	-	-	-	-	-
46	-	-	-	-	-	-	-
47	-	-	-	-	-	-	-
48	-	-	-	-	-	-	-
49	-	-	-	-	-	-	-
50	-	-	-	-	-	-	-
51	-	-	-	-	-	-	-
52	-	-	-	-	-	-	-
53	-	-	-	-	-	-	-
54	-	-	-	-	-	-	-
55	-	-	-	-	-	-	-
56	-	-	-	-	-	-	-
57	-	-	-	-	-	-	-
58	-	-	-	-	-	-	-
59	-	-	-	-	-	-	-
60	-	-	-	-	-	-	-
61	-	-	-	-	-	-	-
62	-	-	-	-	-	-	-
63	-	-	-	-	-	-	-
64	-	-	-	-	-	-	-
65	-	-	-	-	-	-	-

# 9.抬压脚及修布部分/Presser foot and Knife drive mechanism

电动式  
Parts for ED



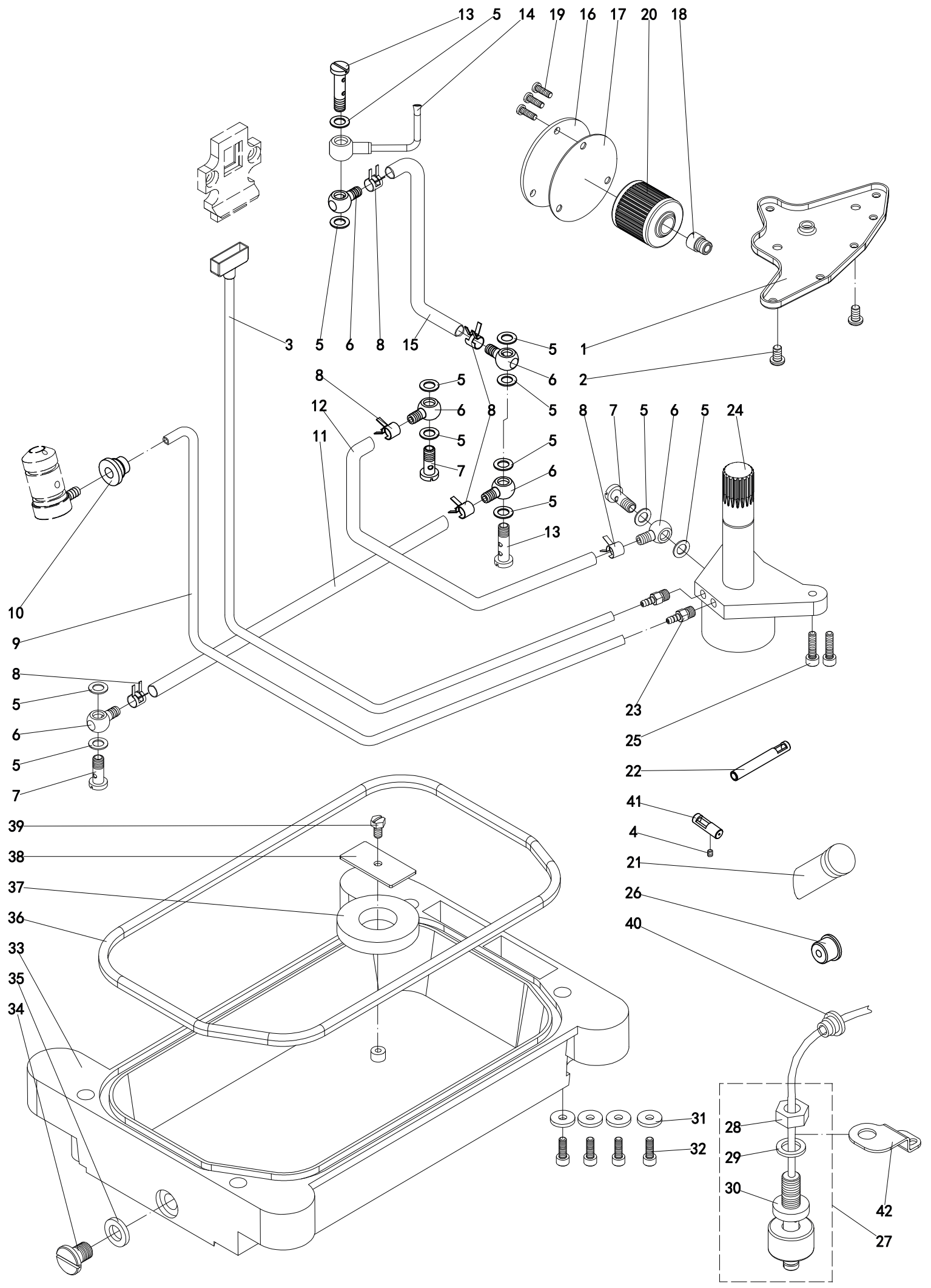
气动式  
Parts for PD



## 9.抬压脚及修布部分/Presser foot and Knife drive mechanism

序号 No.	公司件号 Part No.	名称	Description	数量 (Number)			备注 Remark
				三 Three thread	四 Four thread	五 Five thread	
1	109011001	套筒 $\varnothing 10 \times \varnothing 15 \times 21.5$	sleeve $\varnothing 10 \times \varnothing 15 \times 21.5$	1	1	1	-
2	240235-92	挡圈 $\varnothing 10 \times 10$	Washer	1	1	1	-
3	4547	内六角凹端紧定螺钉M6 $\times 0.75$ L=5	Screw M6 $\times 0.75$ L=5	1	1	1	-
4	109011014	套筒 $\varnothing 10 \times \varnothing 15 \times 22$	sleeve $\varnothing 10 \times \varnothing 15 \times 22$	1	1	1	-
5	404120001	唇形密封圈 $\varnothing 10 \times \varnothing 15 \times 3$	Oil seal	1	1	1	-
6	273003	上刀架轴	Upper knife lever	1	1	1	-
7	273006	上刀销	Pin	1	1	1	-
8	7174	六角头开槽螺钉M5 L=10	Screw M5 L=10	1	1	1	-
9	273012	下刀压板	Lower knife clamp	1	1	1	-
10	-	下刀片	Upper blade	1	1	1	-
11	-	下刀架	Lower knife holder	1	1	0	-
12	-	下刀架	Lower knife holder	0	0	1	-
13	240324	下刀架弹簧	spring	1	1	1	-
14	273007	挡板	dam-board	1	1	1	-
15	7084	六角头开槽螺钉M4 L=8	Screw M4 L=8	1	1	1	-
16	20812033	调节板	adjusting plate	1	1	1	-
17	7017A	十字槽开槽盘头螺钉M4 L=5	Screw M4 L=5	1	1	1	-
18	7020A	十字槽开槽盘头螺钉M4 L=10	Screw M4 L=10	1	1	1	-
19	179712-05	上刀架	up knife rest	1	1	0	-
20	179713-05	上刀架	up knife rest	0	0	1	-
21	-	上刀片	up blade	1	1	1	-
22	202588	平垫圈 $\varnothing 3.5 \times \varnothing 7 \times 1$	Washer	1	1	1	-
23	7013	开槽圆柱头螺钉M3.5 L=7.5	Screw M3.5 L=7.5	1	1	1	-
24	7019A	十字槽开槽盘头螺钉M4 L=8	Screw M4 L=8	4	4	4	-
25	273010	下刀架导向板	Lower tool rest guide plate	1	1	1	-
26	274009	抬压脚杠杆限位板	Foot lever limit plate	1	1	1	-
27	7175	开槽圆柱头螺钉M5 L=24	Screw M5 L=24	1	1	1	-
28	4805	六角螺母M5	Nut M5	1	1	1	-
29	404430001	内六角圆柱头螺钉M6 L=12	Screw M6 L=12	2	2	2	-
30	401020010	包缝抬压脚电磁铁组件	Electromagnet assembly	1	1	1	-
31	109012136	压杆防油管	Pressure rod tubing preventer	1	1	1	-
32	120010007	调压簧	Pressure regulating spring	1	1	1	-
33	120010021	压脚杆套	Presser foot pole set	1	1	1	-
34	120010006	压杆	pressure lever	1	1	1	-
35	109010155	内六角圆柱头螺钉M5 L=22	Screw M5 L=22	2	2	2	-
36	302041321	抬压脚气缸	Lift the foot cylinder	1	1	1	-
37	401020039	抬压脚气缸固定座	Lift foot cylinder holder	1	1	1	-
38	109011124	气动弯管接头 (M5插6)	Pneumatic elbow	2	2	2	-
39	109011123	抬压脚气缸塑料推块	Plastic block	1	1	1	-
40	274003-92	抬压脚小杠杆限位挡圈	Limit ring	1	1	1	-
41	4534	内六角圆柱头螺钉M6 $\times 0.75$ L=14	Screw M6 $\times 0.75$ L=14	1	1	1	-
42	274004	抬压脚小杠杆	Little leverage	1	1	1	-
43	274005	抬压脚小杠杆复位簧	Small lever reset spring	1	1	1	-
44	274002	压脚臂曲柄轴轴套	Crank shaft sleeve	1	1	1	-
45	4543	内六角凹端紧定螺钉M4 L=4	Screw M4 L=4	2	2	2	-
46	274006	抬压脚杠杆拉钩	Lift foot lever pull hook	1	1	1	-
47	274007	抬压脚杠杆	Raise the foot lever	1	1	1	单直驱/自动剪线气动
48	109011152	抬压脚杠杆	Raise the foot lever	1	1	1	自动剪线电动
49	7060	轴位螺钉D13 H19 M10 L=8.5	Shoulder Screw D13 H19 M10 L=8.5	1	1	1	-
50	274008	抬压脚小杠杆复位簧	Small lever reset spring	1	1	1	-
51	274000-B	压脚臂组件	Foot arm assembly	1	1	1	-
52	109011133	调节螺柱	Adjust the stud	1	1	1	-
53	109011134	调压螺母	The regulating nut	1	1	1	-
54	109012135	调压螺母轴套	Pressure regulating nut bush	1	1	1	-
55	601010002	O型圈11.5 $\times 1$	O ring 11.5 $\times 1$	4	4	4	-
56	7013	开槽圆柱头螺钉M3.5 L=7.5	Screw M3.5 L=7.5	1	1	1	-
57	-	压脚	Presser foot components	1	1	1	-
58	7171	压脚扳手螺钉	Press the foot wrench screw	1	1	1	-
59	274017	压脚扳手复位簧	Spring	1	1	1	-
60	120011142	压脚扳手	Presser foot wrench	1	1	1	-
61	7082	开槽圆柱头螺钉M4 L=7	Screw M4 L=7	2	2	2	-
62	120011144	压脚扳手座	Presser foot wrench bracket	1	1	1	-
63	4802	六角螺母M4	Nut M4	1	1	1	-
64	7023A	十字槽开槽盘头螺钉M4 L=16	Screw M4 L=16	1	1	1	-
65	-	-	-	-	-	-	-

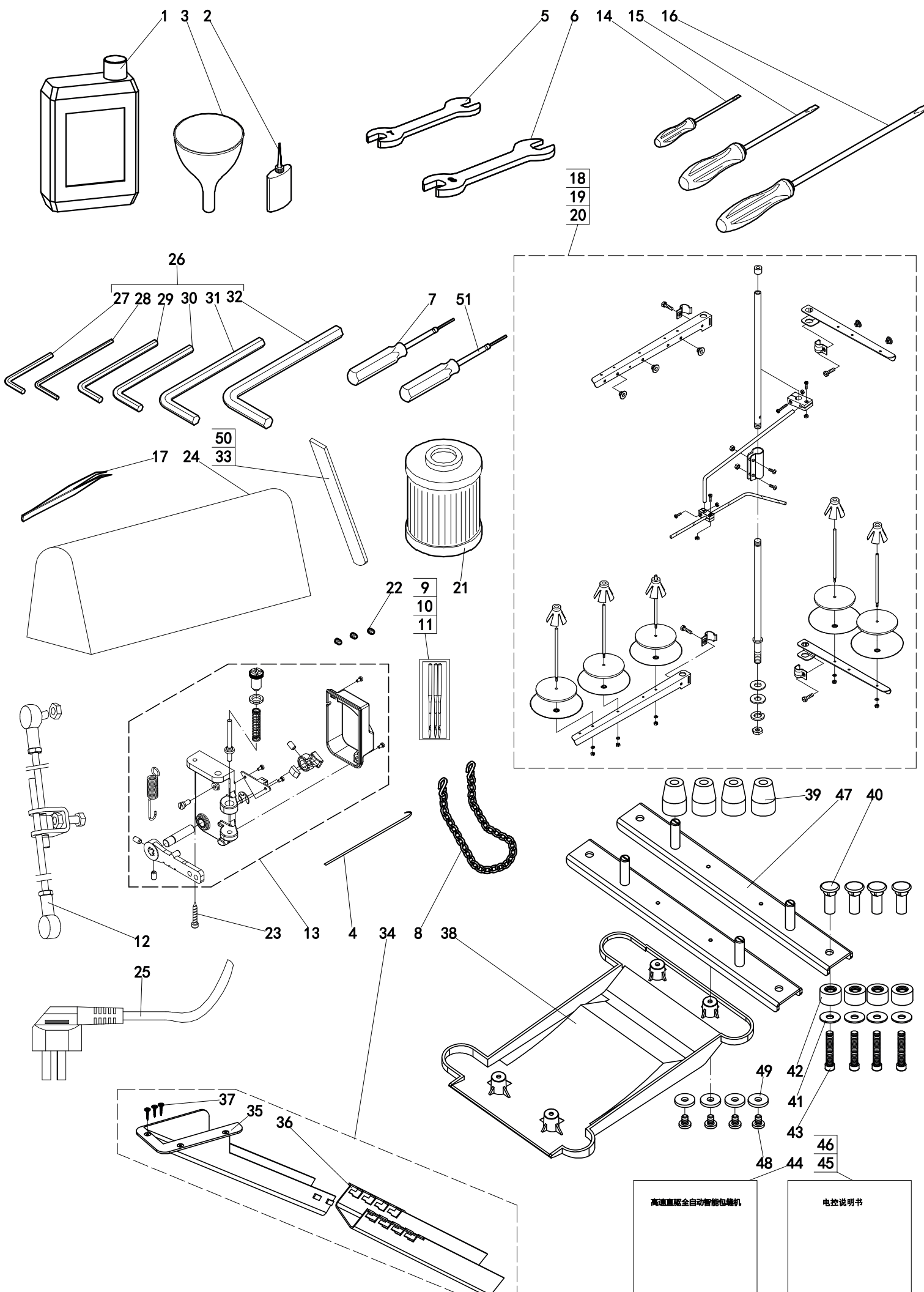
# 10. 供油部分/Lubrication mechanism



# 10.供油部分/Lubrication mechanism

序号 No.	公司件号 Part No.	名称	Description	数量 (Number)			备注 Remark
				三 Three thread	四 Four thread	五 Five thread	
1	120010026	接油盘	Oil plate	1	1	1	-
2	7018A	十字槽开槽盘头螺钉M4 L=7	Screw M4 L=7	2	2	2	-
3	109011210	密封导架回油管 $\phi 2.5 \times \phi 4.5 \times 200$	Tubing	1	1	1	-
4	4543	内六角凹端紧定螺钉M4 L=4	Screw M4 L=4	2	2	2	-
5	700-020	防油垫 $\phi 6.2 \times \phi 10.5 \times 0.7$	Oil proof gasket	12	12	12	-
6	200136	单头油管接头	Pipe joint	6	6	6	-
7	240328	过油螺钉	Screw	3	3	3	-
8	202199	油管夹	Pipe CLIP	6	6	6	-
9	109011209	油管 $\phi 3 \times \phi 5$	Oli pipe	1	1	1	-
10	109011240	橡胶塞 $\phi 8.5$	Plug	2	2	2	-
11	401060024	油管 $\phi 5 \times \phi 7$	Oli pipe	1	1	1	-
12	401060024	油管 $\phi 5 \times \phi 7$	Oli pipe	1	1	1	-
13	274586	过油螺钉M6 L=26	Screw	2	2	2	-
14	120011214	喷油管	Spraying tubing	1	1	1	-
15	401060024	油管 $\phi 5 \times \phi 7$	Oli pipe	1	1	1	-
16	107011508	滤油器盖	Filter cover	1	1	1	-
17	107011509	滤油器盖密封垫	Filter cover gasket	1	1	1	-
18	210200	滤油器油嘴	Filter oil nozzle	1	1	1	-
19	7019A	十字槽开槽盘头螺钉M4 L=8	Screw M4 L=8	3	3	3	-
20	204011605	滤芯	Filter	1	1	1	-
21	2745390	油标	Oil Mark	1	1	1	-
22	1L6005091	针杆曲柄过油管	Needle rod crank through tubing	1	1	1	-
23	274592	油管螺钉接头	Pipe screw joint	1	1	1	-
24	274505	油泵	Oil pump	1	1	1	-
25	4529	内六角圆柱头螺钉M4 L=16	Screw M4 L=16	2	2	2	-
26	240227	橡胶塞9	Plug 9	1	1	1	单直驱
27	109010006	油量检测装置	Fuel gauging	1	1	1	自动剪线
28	-	紧固螺母	Nut	1	1	1	-
29	-	橡胶垫圈	Rubber gasket	1	1	1	-
30	-	油量显示感应器	Oil level sensor	1	1	1	-
31	240338	平垫圈 $\phi 5.5 \times \phi 14.2 \times 1.9$	Washer $\phi 5.5 \times \phi 14.2 \times 1.9$	4	4	4	-
32	404430005	内六角圆柱头螺钉M5 L=18	Screw M5 L=18	4	4	4	-
33	274500	油盘	Oil tank	1	1	1	-
34	5138B	堵油螺钉SM3/8 $\times 28$ L=13	Screw SM3/8 $\times 28$ L=13	1	1	1	-
35	202287	堵油螺钉密封垫 $\phi 9.5 \times \phi 16.5 \times 2.6$	Oil seal	1	1	1	-
36	274501	油盘密封圈	Oil seal	1	1	1	-
37	700-015	磁铁	Magnet	1	1	1	-
38	109011238	油盘磁铁压板	Magnet platen	1	1	1	-
39	2193	六角头螺钉SM11/64 $\times 40$ L=8	Screw SM11/64 $\times 40$ L=8	1	1	1	-
40	109011240	橡胶塞 $\phi 8.5$	Plug	1	1	1	自动剪线
41	209703-91	上弯针滑杆过油销	Pin	1	1	1	-
42	109010159	油量显示感应器支架	Bracket	1	1	1	自动剪线
43	-	-	-	-	-	-	-
44	-	-	-	-	-	-	-
45	-	-	-	-	-	-	-
46	-	-	-	-	-	-	-
47	-	-	-	-	-	-	-
48	-	-	-	-	-	-	-
49	-	-	-	-	-	-	-
50	-	-	-	-	-	-	-
51	-	-	-	-	-	-	-
52	-	-	-	-	-	-	-
53	-	-	-	-	-	-	-
54	-	-	-	-	-	-	-
55	-	-	-	-	-	-	-

# 11.附件部分/Accessorie part mechanism



# 11.附件部分/Accessorie part mechanism

序号 No.	公司件号 Part No.	名称	Description	数量 (Number)			备注 Remark
				三线 Three-thread	四线 Four-thread	五线 Five-thread	
1	402020005	油壶	Oil pot	1	1	1	-
2	402020010	硅油壶	Oil pot	1	1	1	-
3	402020115	漏斗	Funnel	1	1	1	-
4	402020104	穿线勾	Threading hook	0	0	1	-
5	402020080	6-7号扳手	6-7 The wrench	1	1	1	-
6	402020008	8号扳手	8 The wrench	1	1	1	-
7	402020076	内六角扳手(1.5mm)	1.5mm Allen wrench	1	1	1	-
8	402020015	链条	chain	1	1	1	单直驱
9	402020090	机针-DCX27/11号	Needle-DCX27/11#(3)	3	3	0	-
10	402020089	机针-DCX27/14号	Needle-DCX27/14#(3)	0	0	3	普通
11	502020011	机针-DCX27/18号	Needle-DCX27/18#(3)	0	0	3	厚料
12	401070002	拉杆	pull rod	1	1	1	-
13	401030025	调速器	speed controller	1	1	1	-
14	402020067	一字螺丝刀(小)	The screwdriver (small)	1	1	1	-
15	402020066	一字螺丝刀(中)	The screwdriver (middle)	1	1	1	-
16	402020065	一字螺丝刀(大)	The screwdriver (big)	1	1	1	-
17	402020064	镊子	Tweezers	1	1	1	-
18	402020018	线架	Thread stand	1	0	0	-
19	402020019	线架	Thread stand	0	1	0	-
20	402020020	线架	Thread stand	0	0	1	-
21	204011605	滤油器	Oil filter	1	1	1	-
22	4554	内六角凹端紧定螺钉M3 L=3	Screw M3 L=3	3	3	3	-
23	109011323	木螺钉 GB 951 3.5×25	Wood screw GB 951 3.5×25	6	6	6	-
24	402020085	包缝机头罩	Dustproof cover	1	1	1	-
25	401070129	电源线	power line	1	1	1	国标
26	402020116	2-6mm内六角扳手	2-6mm Allen wrench	1	1	1	-
27	402020141	2mm内六角扳手	2mm Allen wrench	1	1	1	-
28	402020164	2.5mm内六角扳手	2.5mm Allen wrench	1	1	1	-
29	402020142	3mm内六角扳手	3mm Allen wrench	1	1	1	-
30	402020143	4mm内六角扳手	4mm Allen wrench	1	1	1	-
31	402020147	5mm内六角扳手	5mm Allen wrench	1	1	1	-
32	402020145	6mm内六角扳手	6mm Allen wrench	1	1	1	-
33	502070002	下刀片	Underneath blade	1	1	1	五线普通/宽边
34	109011334	排料槽	Discharge tank	1	1	1	-
35	-	排料槽上部	Feed disk top	1	1	1	-
36	-	排料槽下部	Feed disk bottom	1	1	1	-
37	-	木螺钉 GB 951 4×19	Wood screw GB 951 4×19	6	6	6	-
38	109010036	托盘	Tray	1	1	1	-
39	109010034	托盘防震垫	Tray crash pad	4	4	4	-
40	206336	台板螺母	Nut	4	4	4	-
41	404210003	平垫圈 $\phi 8.5 \times \phi 24 \times 1.5$	Washer $\phi 8.5 \times \phi 24 \times 1.5$	8	8	8	-
42	205764	托盘安装橡胶垫	Rubber blanket	4	4	4	-
43	404430026	内六角圆柱头螺钉M8 L=40	Screw M8 L=40	4	4	4	-
44	120010018	零件手册及使用说明书	Parts manual and instruction manual	1	1	1	-
45	109010023	电控说明书	Electronic control manual	1	1	1	单直驱
46	140010033	电控说明书	Electronic control manual	1	1	1	自动剪线
47	109010035	承重板	Backpanels	2	2	2	-
48	7019A	十字槽开槽盘头螺钉M4 L=8	Screw M4 L=8	4	4	4	-
49	303448	平垫圈 $\phi 4.5 \times \phi 9 \times 0.8$	Washer $\phi 4.5 \times \phi 9 \times 0.8$	4	4	4	-
50	502070010	下刀片	Underneath blade	0	0	1	五线厚料
51	402020077	内六角扳手(1.6mm)	1.6mm Allen wrench	1	1	1	-
52	-	-	-	-	-	-	-
53	-	-	-	-	-	-	-
54	-	-	-	-	-	-	-
55	-	-	-	-	-	-	-
56	-	-	-	-	-	-	-
57	-	-	-	-	-	-	-
58	-	-	-	-	-	-	-
59	-	-	-	-	-	-	-
60	-	-	-	-	-	-	-
61	-	-	-	-	-	-	-
62	-	-	-	-	-	-	-
63	-	-	-	-	-	-	-
64	-	-	-	-	-	-	-
65	-	-	-	-	-	-	-

标准度量零件表 GAUGE PARTS LIST

系列 SERIES	机型 MODEL	TYPE EXPLAN	针板 NEEDLE PLATE	送布齿 FEED DOG	压脚 PRESSER FOOT	上弯针 UPPER LOOPER	下弯针 LOWER LOOPER	链线弯针 CHAIN STITCH LOOPER	上刀 UPPER KNIFE	下刀 LOWER KNIFE	下刀架 LOWER KNIFE HOLDER	护针 OVERLOCK NEEDLE GUARD		护针 CHAIN STITCH NEEDLE GUARD		针古 NEEDLE HOLDER	初针 NEEDLE	
												前 FRONT	前 FRONT	前 FRONT	前 FRONT			
单直驱 Single Direct Drive	-3-02	三线 细边	277502P15	109010031	277799	277010A (5#)	277015	-	502070005	502070001	273008	-	277005	-	405110004	DCX27/11		
	-3-04	三线 普通	277504R40	109010041	2012300							273009				277022-92		
	-4-26	四线 普通	277505R40		277125								277004			277027	DCX27/14	
	-5-35	五线 普通	277517R40	104010006	405030010											277029	DCX27/18	
	-5-55	五线 宽边/中厚料	405010015	405020013	277119	120010015 (11#)					101010010	502070010	109010060	277007	277008	104050004	DCX27/11	
	-5-56	五线 厚料/宽刀口	277524T60	109010053	405030011						502070005	502070001	273009		277008	405110003	DCX27/14	
	-6-326	六线 普通	277518R40	405020013	277119A0	277010A (5#)				277018	101010010	502070010	273009			405110005	DCX27/18	
	-6-526	六线 宽边/中厚料	405010012	405020013	405030009													
	-6-528	六线 厚料/宽刀口	405010014	109010053	277120A0	120010015 (11#)					101010010	502070010	109010060					
	自动剪线 Auto	-3-02	三线 细边	405010008	109010031	277799				-			273008	-	277005	-	405110004	DCX27/11
		-3-04	三线 普通	109010030	109010041	109010032											277022-92	
		-4-26	四线 普通	405010007		109010045		277010A (5#)									277027	DCX27/14
-5-35		五线 普通	109010050	104010006	405030010										277029	DCX27/18		
-5-55		五线 宽边/中厚料	109010051	405020013	277119	120010015 (11#)									104050004	DCX27/11		
-5-56		五线 厚料/宽刀口	109010052	109010053	405030011										405110003	DCX27/14		
-6-326		六线 普通	277518AT	405020013	277119A0	277010A (5#)			277018	101010010	502070010	273009	277007	277008	104050004	DCX27/11		
-6-526		六线 宽边/中厚料	405010011	405020013	405030009										405110003	DCX27/14		
-6-528		六线 厚料/宽刀口	405010013	109010053	277120A0	120010015 (11#)				101010010	502070010	109010060			405110005	DCX27/18		