

智能一体绷缝机系列  
Intelligent Integrated  
Interlock sewing machine

**使用说明书/零件样本**  
OPERATION MANUAL PARTS BOOK

## 开头语

为您购买500系列绷缝机，我们表示衷心的感谢！

在使用缝纫机之前，请认真阅读此说明书。愿您自始至终爱护并使用本公司的产品。

另外，为使您的缝纫机高效率的使用，此说明书登载了有关日常中检查与安全的注意事项，

在平时，除了对绷缝机进行检查之外，也请您多加注意自身的安全，做到安全使用。这是我们的心愿。



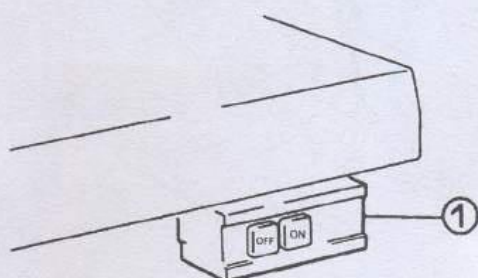
### 为了安全

对于缝纫机本身及各种装置，我们充分考虑到它的安全性。请遵照基本的操作方法，安全的进行工作。

●拆除为保证安全所设置的装置，零件的情况下使用，是非常危险的，请绝对不要拆除后使用。

●缝纫机在使用时，请不要在缝纫机台板上放置工具及缝纫机时不必要的物品。

●在对缝纫机进行检修、调节、清扫、穿线、换针等时，为防止发生事故，务必请切断电源，在确定即使踩缝纫机踏板，缝纫机也不转动之后，再进行操作。

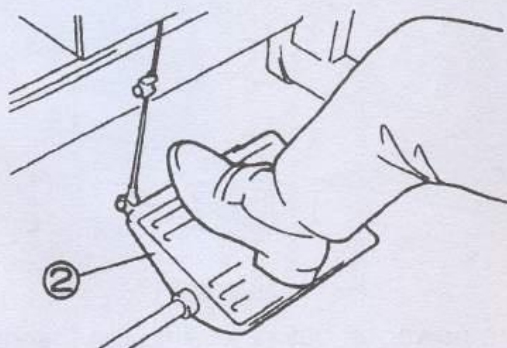


- 在离开缝纫机台时，务必请关掉电源。
- 停电时也请务必关掉电源。

### 注意

使用离合式马达的情况下，在关掉电源①后因惯性作用会继续旋转。这时如不注意踩动缝纫机踏板②时，缝纫机会突然动作，这是很危险的。

请在关掉电源后，仍继续踩动踏板②，直至缝纫机完全停下来为止。



- 为了总是安全地，运转良好的使用缝纫机，日常的点检是不可缺少的，请予以注意。

# INTRODUCTION

Thank you very much for purchasing 500 Series machine.

This instruction manual describes daily routine maintenance and safety precautions to keep the machine in the best possible conditions.

Please study this manual very carefully before operating the machine.



## CAUTION

### OBSERVE THESE SAFETY PRECAUTIONS

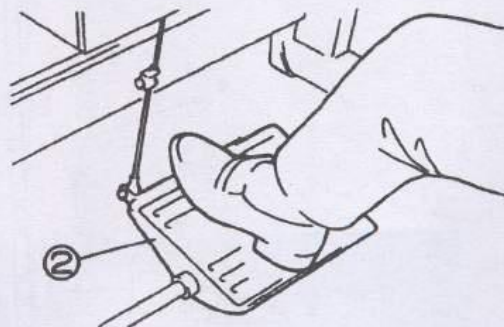
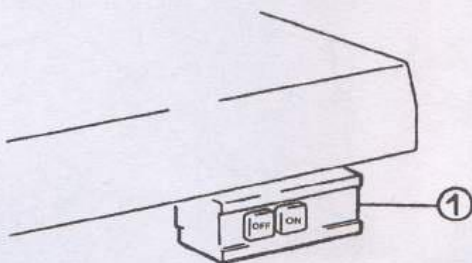
Though Sewing Machine takes the utmost care to produce safe sewing machines and devices, operators should follow these basic safety rules.

- To prevent accidents, do not remove safety devices or parts while operating the machine.
- Do not leave tools or other unnecessary objects on the machine table while operating the machine.
- Before maintenance, adjusting, cleaning, threading or replacing the needle, and to

prevent accidents, be sure the power is turned off. Check that the machine will not operate when the pedal is pressed.

#### Note

In case a clutch type motor is used, it will keep on rotating by inertia after turning off power supply ①. If the machine pedal ② is stepped on inadvertently, it is dangerous because the machine will move unexpectedly. Keep on stepping on the pedal ② until the machine comes to a stop after turning off power supply.



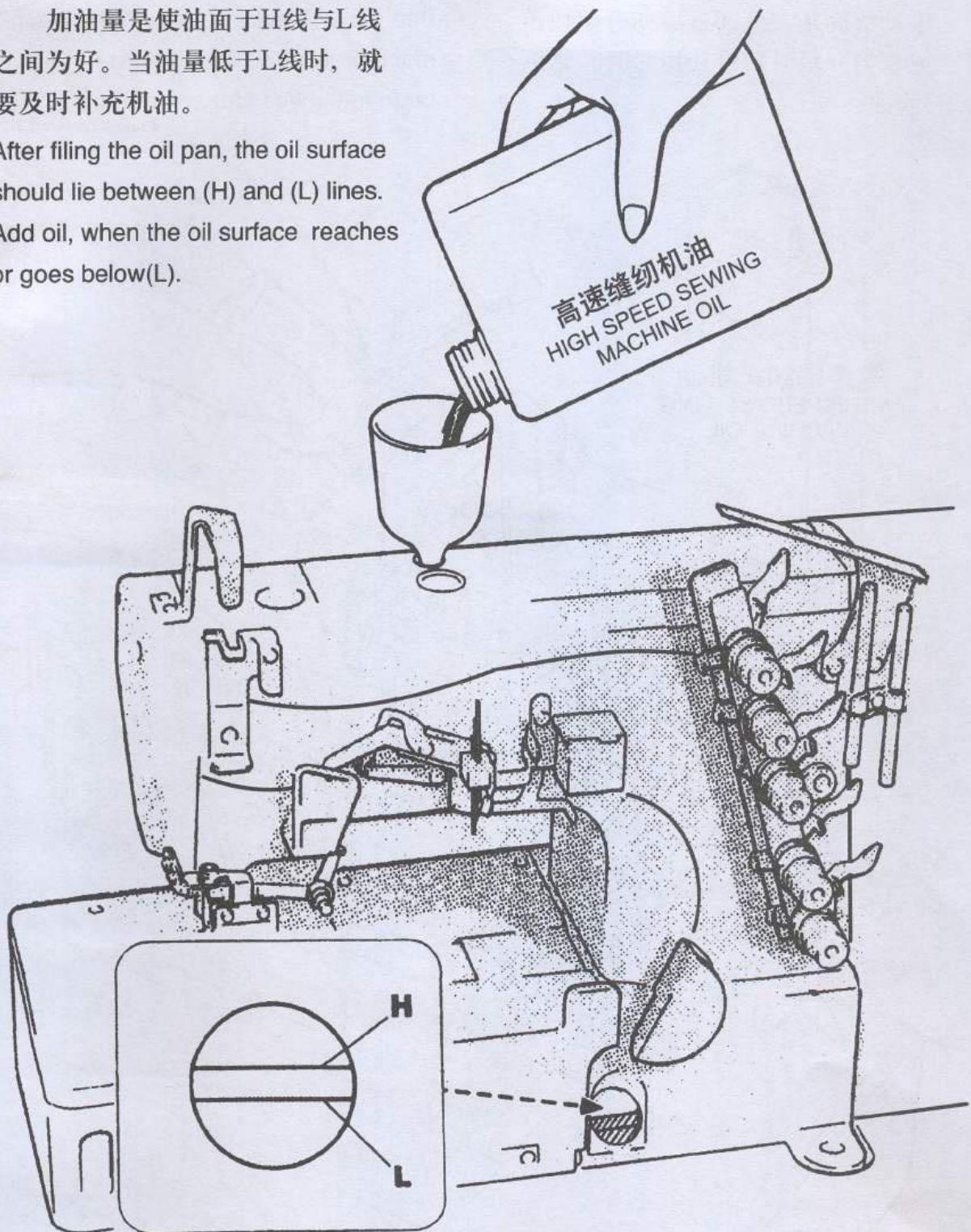
- Turn the power off before leaving the machine table.
- In the event of a power failure, be sure to turn the machine off.
- Check that the machine is securely grounded.

在使用之前  
BEFORE  
OPERATING

## 供油 Lubrication

加油量是使油面于H线与L线之间为好。当油量低于L线时，就要及时补充机油。

After filling the oil pan, the oil surface should lie between (H) and (L) lines. Add oil, when the oil surface reaches or goes below(L).

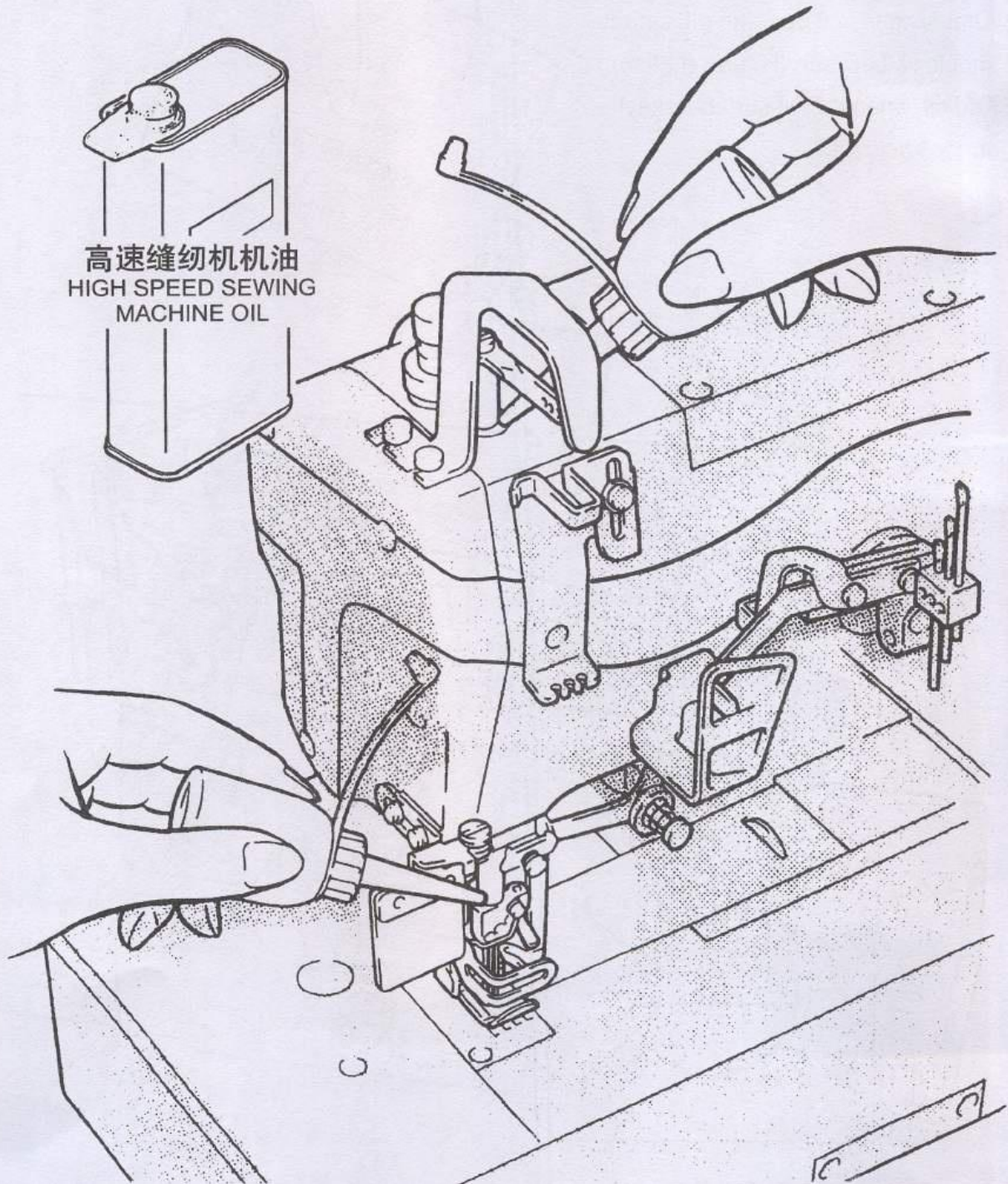


在使用之前  
BEFORE  
OPERATING

## 手动给油 Manual lubrication

手动给油是在缝纫机最初开始使用时，或相当一段时间没使用了时，请供给2-3滴油。

Apply 2 or 3 drops of oil by hand when the machine is used for the first time or has been left unused for some time.



在使用之前  
BEFORE  
OPERATING

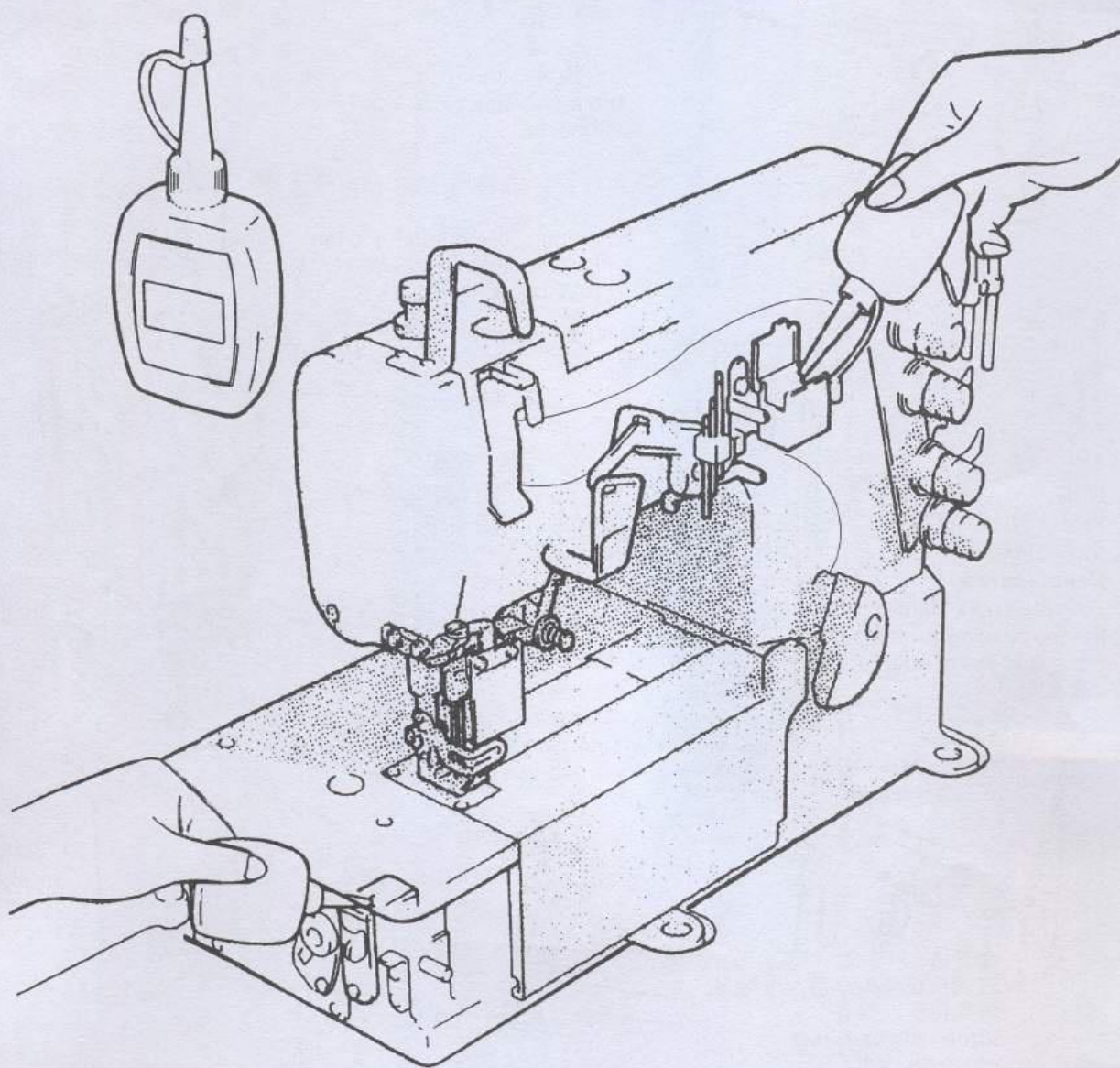
## 给HR装置供油 Filling the HR device with silicon oil

为了防止布纤维或线被切断，请  
尽早给HR装置供油。

Fill the device with oil before it is too low in order  
to prevent needle thread breakage and fabric  
damage.

注：关于购买硅酯油，请咨询缝纫机  
代销店或与公司营业所联系。

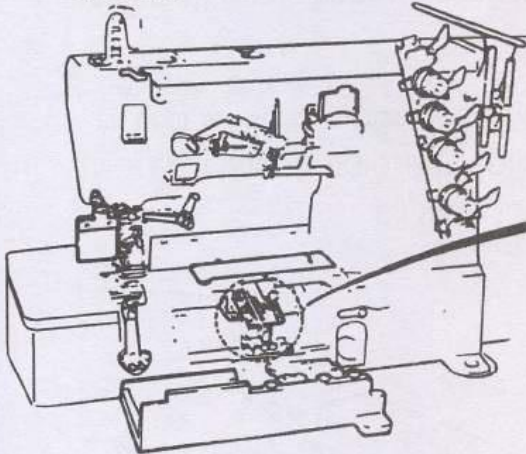
Note: Use recommended silicon oil.  
(UNION CARBIDE CORPORATION)  
UCCL-45(350)



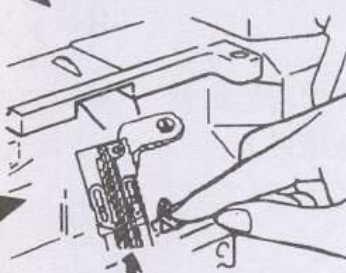
在使用之前  
BEFORE  
OPERATING

## 穿线的方法 Threading

- ① 请掀起护眼板，打开机盖（3处）。  
Open the eye guard and three covers.

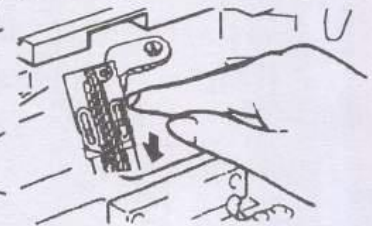


- ② 提起。  
Press down.



弯针挑线器提到上面。  
The looper thread take-up comes out.

- ④ 穿好线后将弯针挑线器压回原位。  
Replace the looper thread take-up after threading.



把机上原有的线与缝纫用线  
绑定在一起。  
Knot the preset thread and the  
thread being used together to  
thread the machine.



针线  
将线拉到针跟前。剪掉  
结头再次穿好针线。

### Needle thread

Trim the knots off neatly  
before passing through  
the eye of the needle to  
rethread.



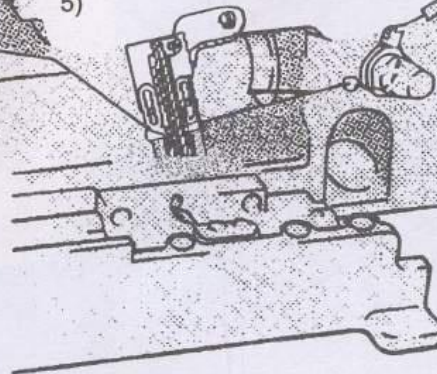
穿针线、上饰线  
直到拉出接头来后，用剪刀  
剪掉接头，整齐。

### Looper thread, Top coverthread

Trim the knots off neatly  
after passing through the  
eye of the looper

若机上原来没有线，请参照穿  
线图正确进行穿线。

Be sure to thread the machine  
correctly by referring to the  
threading diagram. (See P.  
5)



在使用之前  
BEFORE  
OPERATING

# 穿线图(2针、3针、4针)

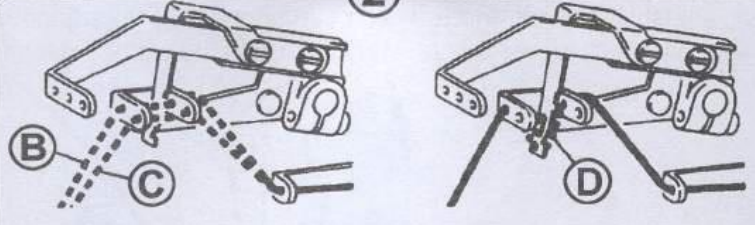
## Threading diagram (2.3.-needle)

①



若使用伸缩大的线时，为点线 (A) 方向。  
Broken lines (A) For more stretchable thread.

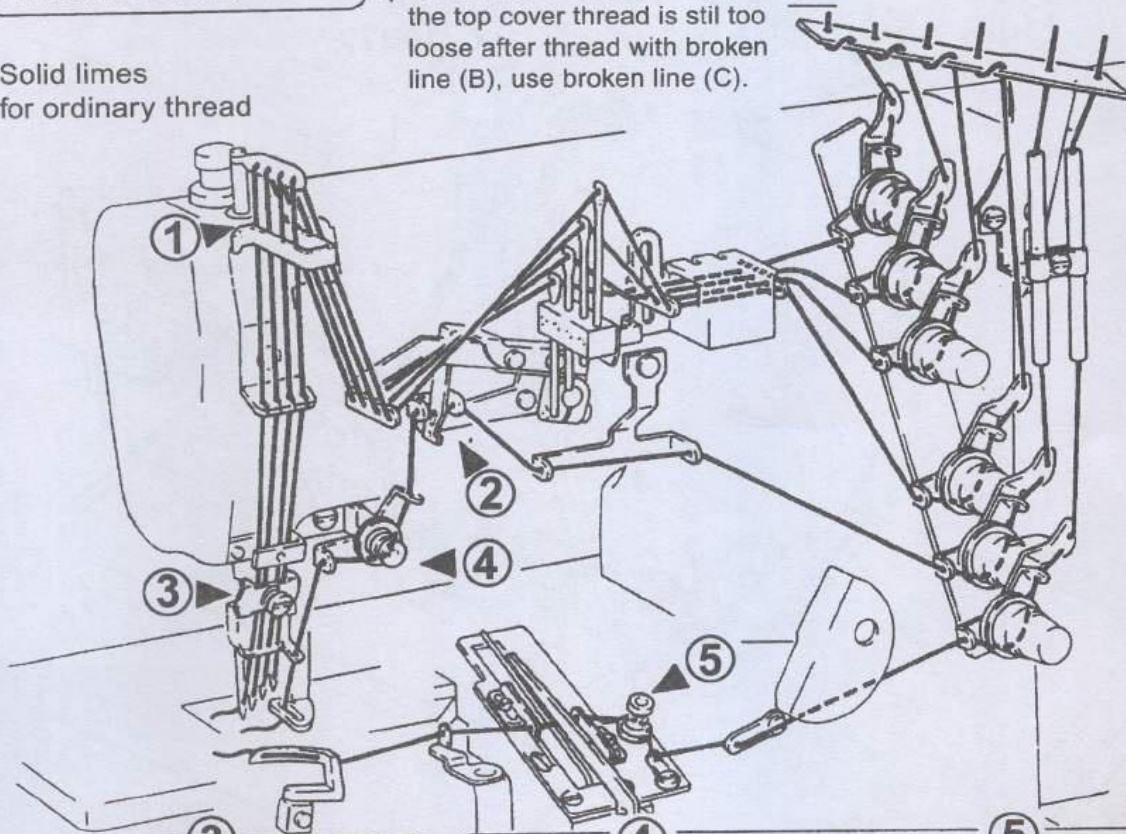
②



饰线太松弛时用 (B)，用 (B) 仍松弛时用 (C)。  
If the top cover thread is too loose, use broken line (B). If the top cover thread is still too loose after thread with broken line (B), use broken line (C).


饰线太紧时用 (D)  
If the top cover thread is too tight, use broken line (D).

Solid lines  
for ordinary thread




③

穿伸缩大的线时  
For more stretchable thread



穿伸缩小的线时  
For less stretchable thread



④

穿伸缩大的线时用点线 (E) 方向。  
Broken lines (E)  
For more stretchable thread



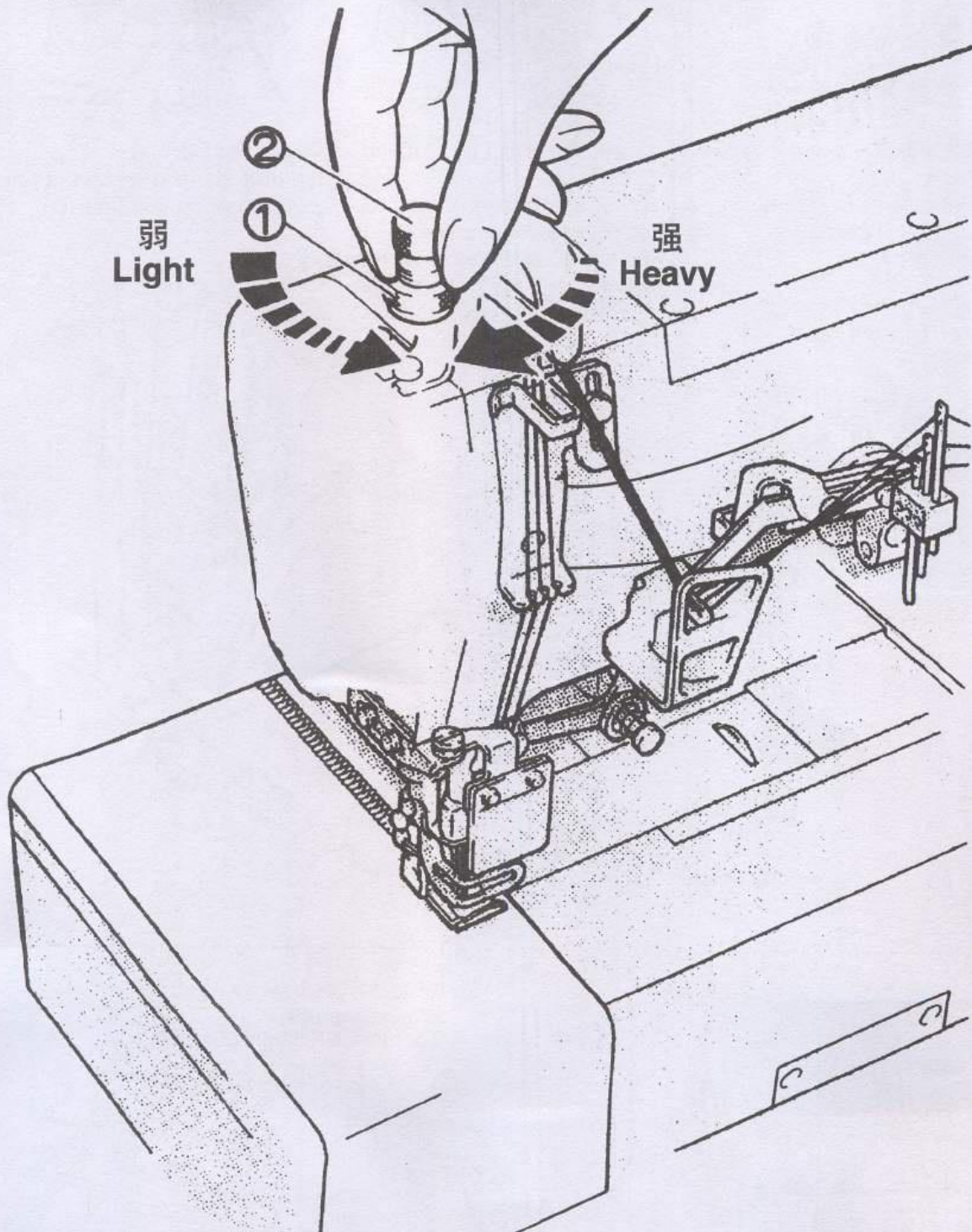



在使用之前  
BEFORE  
OPERATING

## 压脚压力的调节 Presser foot pressure

压脚压力的调节是松开螺帽①和旋转螺丝②来进行的。在能取得平稳针脚的范围内，尽量调得松一些为好。

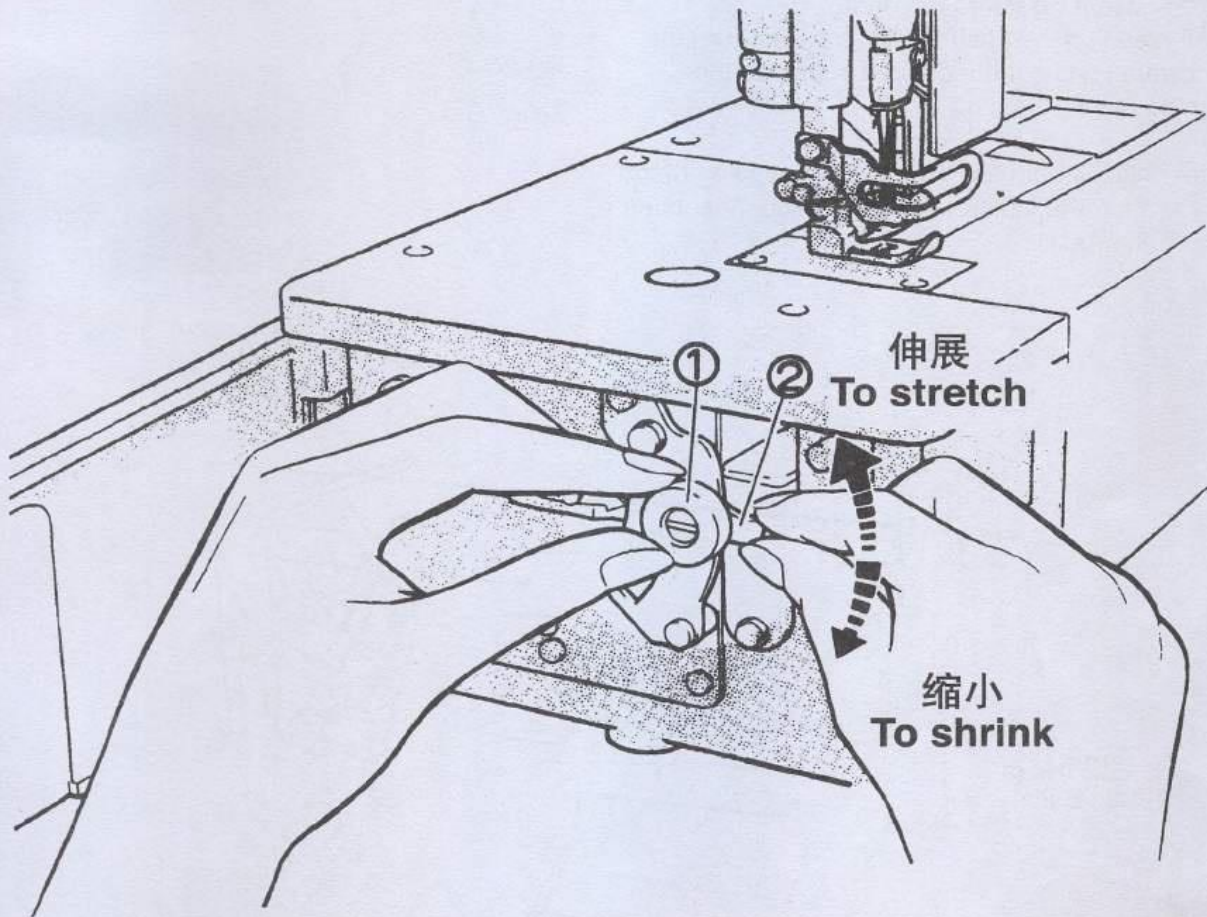
Loosen adjusting (1) nut and turn adjusting screw (2) to adjust the presser foot pressure. It should be as light as possible, yet be sufficient to obtain the proper stitch formation.



试 缝  
TEST SEWING

## 差动比的调节 Diff. feed ratio adjustment

差动比是通过松开螺帽①后，把调节杆②上下移动来进行调节的，调节后请拧紧螺帽①。  
Loosen nut (1) and move the lever up (2) and down to obtain the correct differential feed ratio. then tighten nut (1).

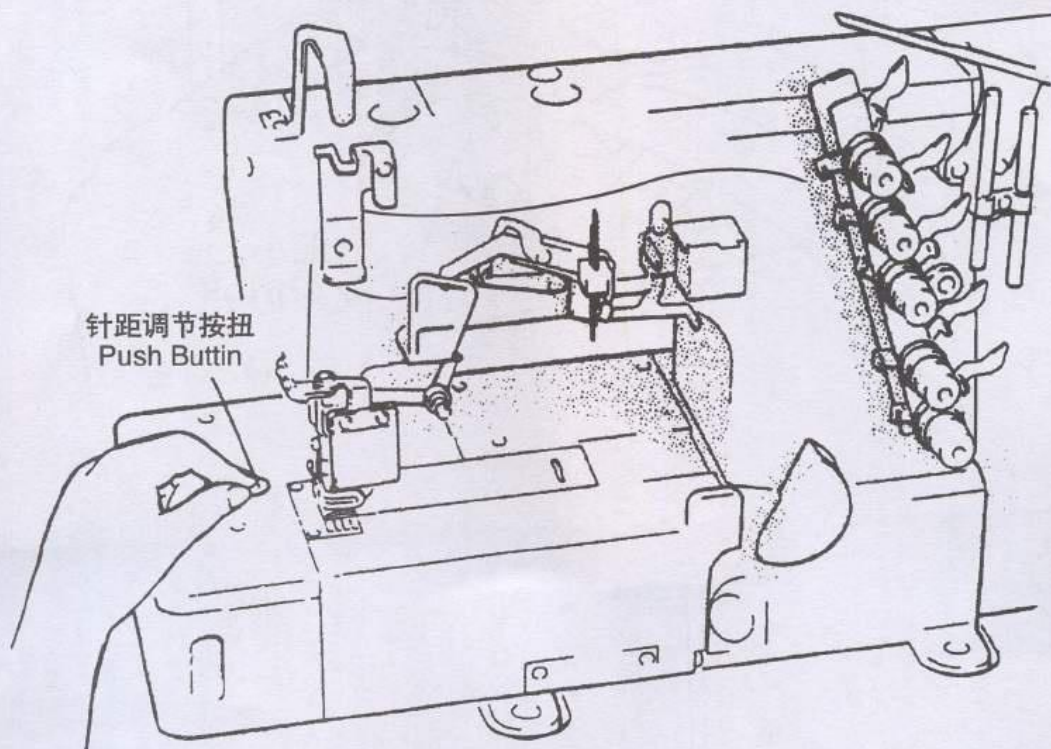


- ① 摁住针距调节按钮，旋转手轮，针距调节按钮会陷进更深处。
- ② 这时边摁住针距调节按钮，边转动手轮，使校准标记对准所希望的数值。

注：针脚长度的调节务必请在调节差动比之后进行。

While pressing the push button, turn the handwheel to seek the position at which the push button goes further into the depth. Then, keeping the push button pressed, turn the handwheel and set the desired scale to the aligning mark.

Note: Stitch length adjustment must only be made after the differential feed ratio has been changed.



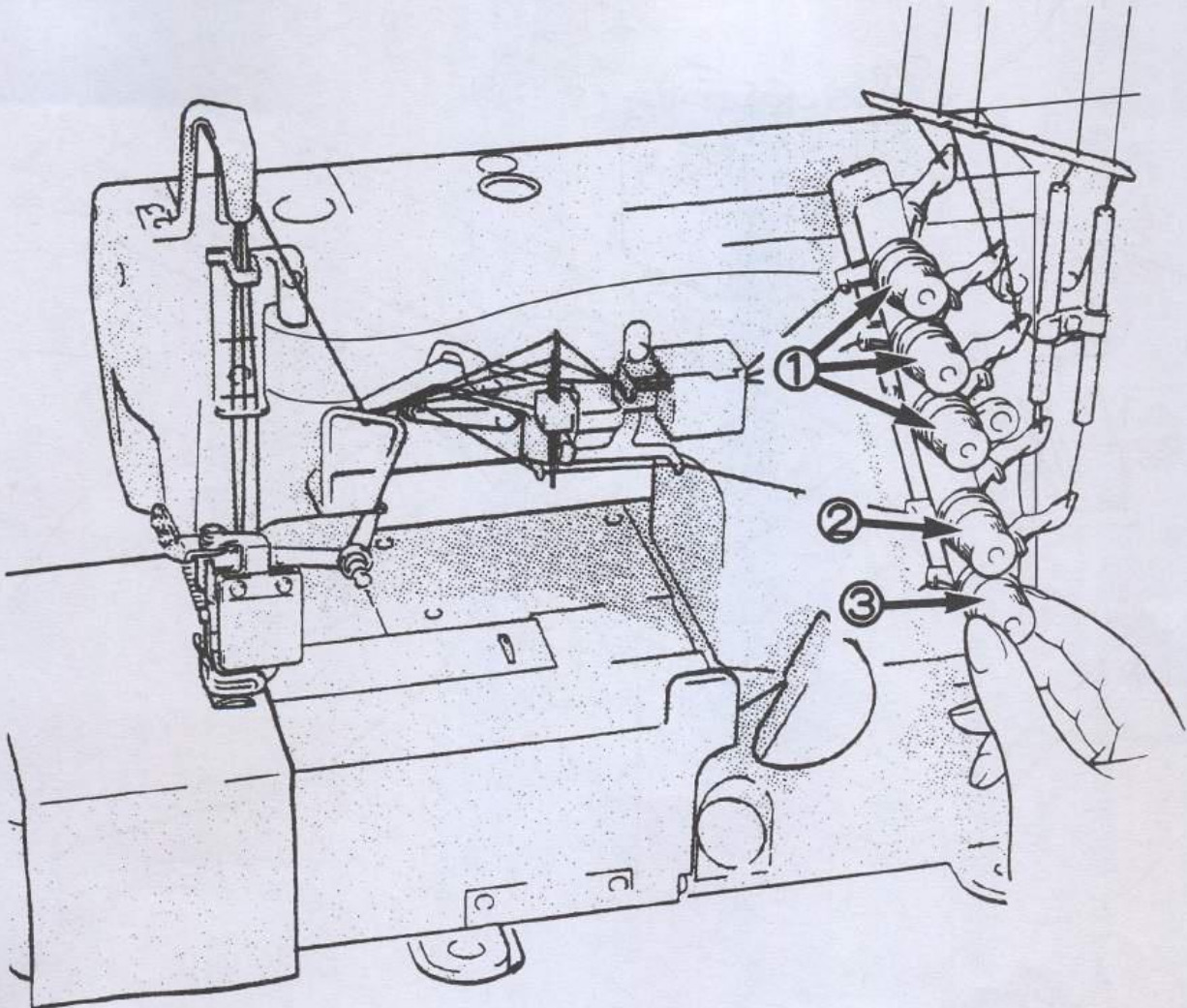
试 缝  
TEST SEWING

# 线状态的调节

## Thread tension

线张力状态的调节，请用针线状态螺帽  
①、上弯针状态螺帽②、弯针线状态调节螺帽③来进行调节。

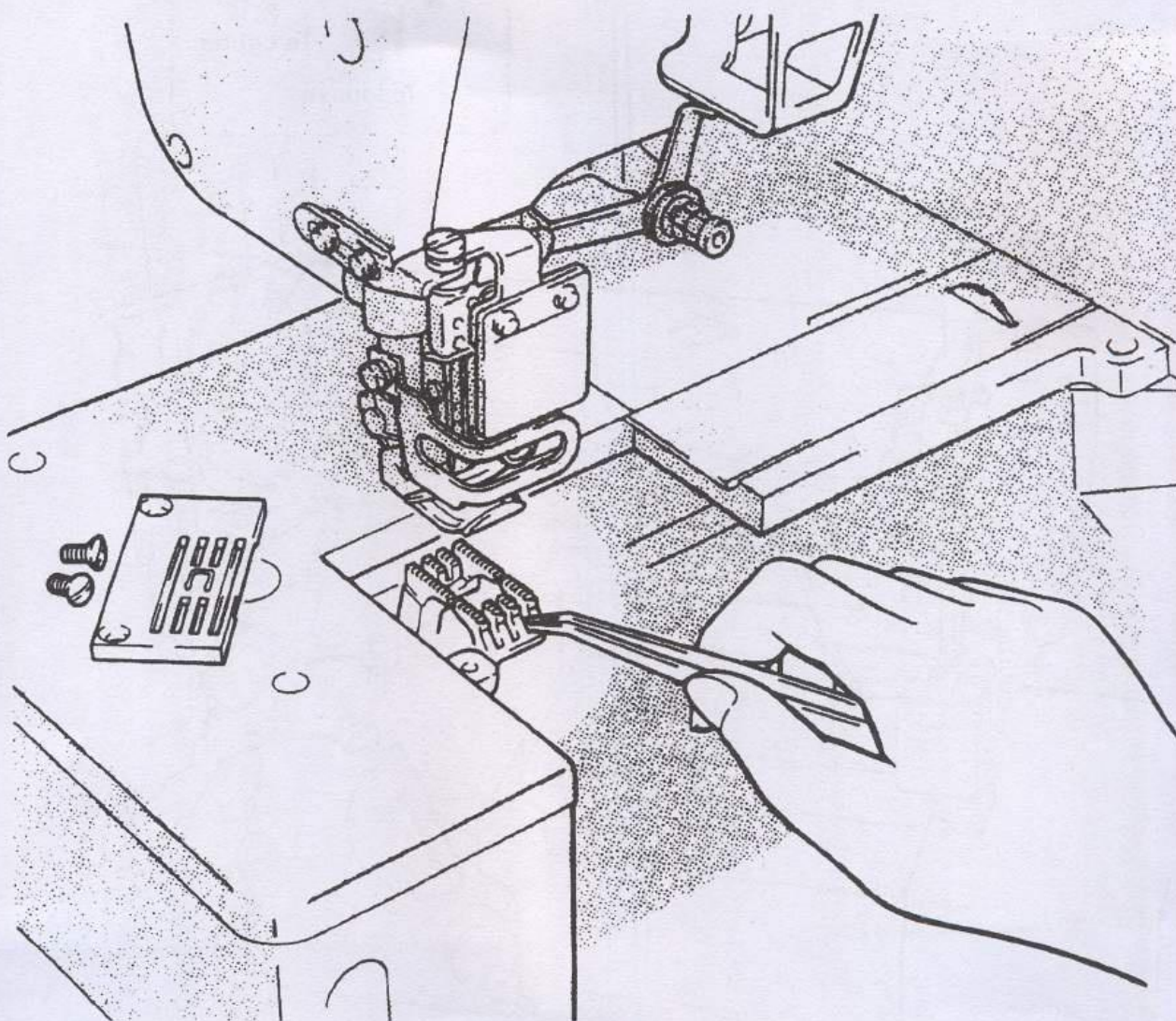
Mack tension adjustments with the needle thread knob (1), top cover thread knob (2), and looper thread knob (3).



使用中的保养  
MAINTENANCE  
DURING USE

## 缝纫机的清扫 Cleaning the machine

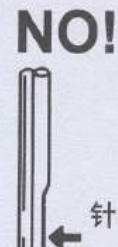
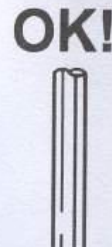
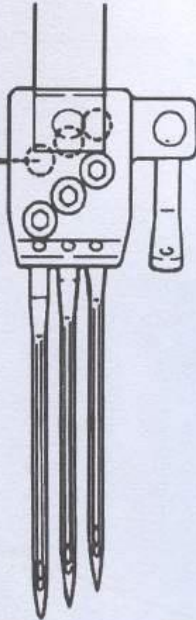
缝纫机的清扫，以针板槽及送布牙周围为主。  
Mainly the slots of the needle plate and the feed rows should be cleaned.



使用中的保养  
MAINTENANCE  
DURING USE

# 换 针

## Replacing the needle



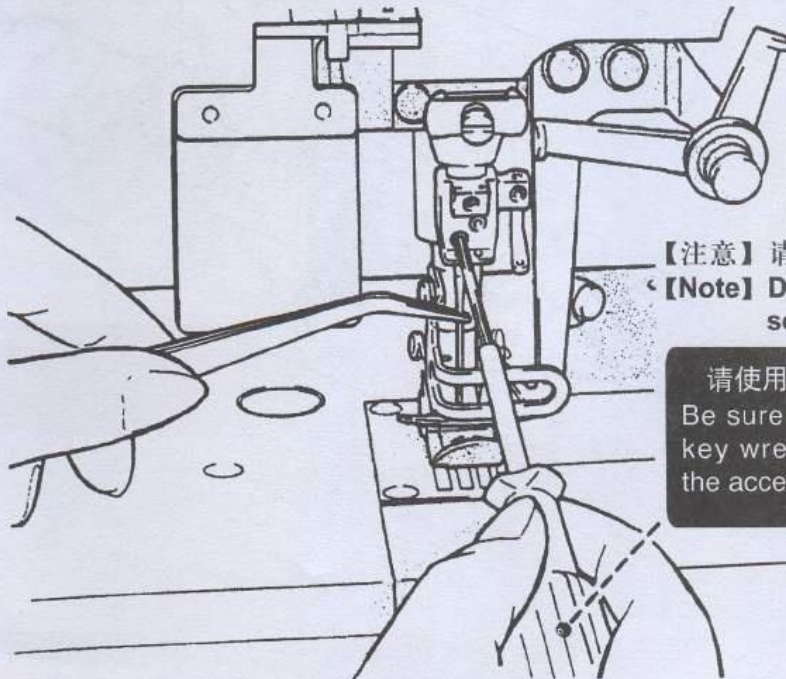
针凹部分  
Scarf

准确辨认针的前后，请将针凹向着后方，即背向操作者进行安装。  
针要牢固的插到孔的最里头。

- \*Check the needle carefully to see that the scarf is turned to the rear of the machine.
- \*Insert the needle to the proper depth, and fasten securely.

标准用针  
Standard needle

|                |          | 针的尺寸<br>NEEDLE SIZE |                 |
|----------------|----------|---------------------|-----------------|
|                |          | 2 针<br>2-needle     | 3 针<br>3-needle |
| 风琴牌<br>Organ   | UY128GAS | # 9                 | # 10            |
| 蓝狮牌<br>Schmetz | UY128GAS |                     |                 |
|                | UY128GAS |                     |                 |
|                | UY128GAS |                     |                 |

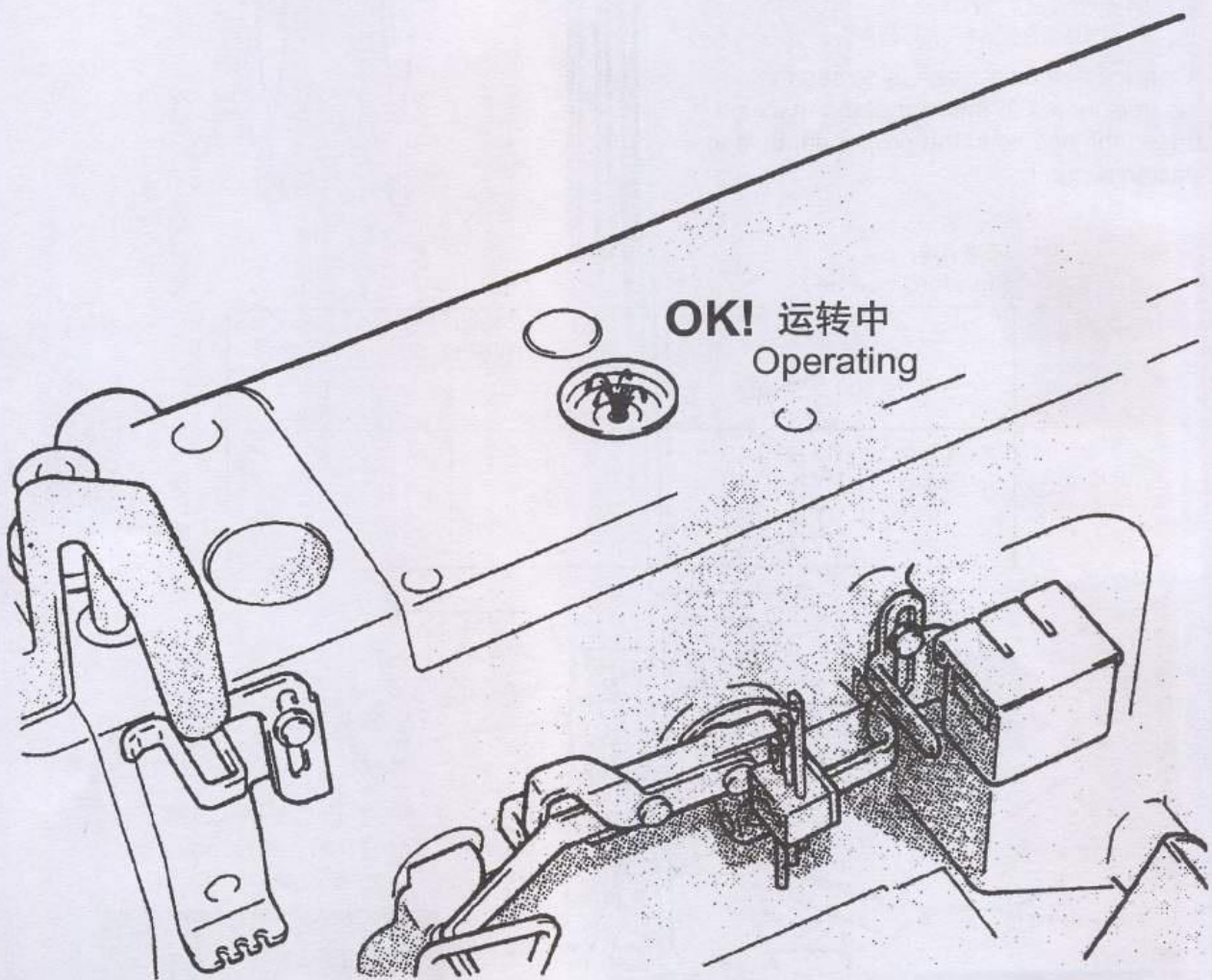


【注意】 请不要把螺丝卸下来。  
【Note】 Do not remove the screw.

请使用附属品的螺丝板  
Be sure to use the allen key wrench packaged in the accessory box.

使用中的保养  
MAINTENANCE  
DURING USE

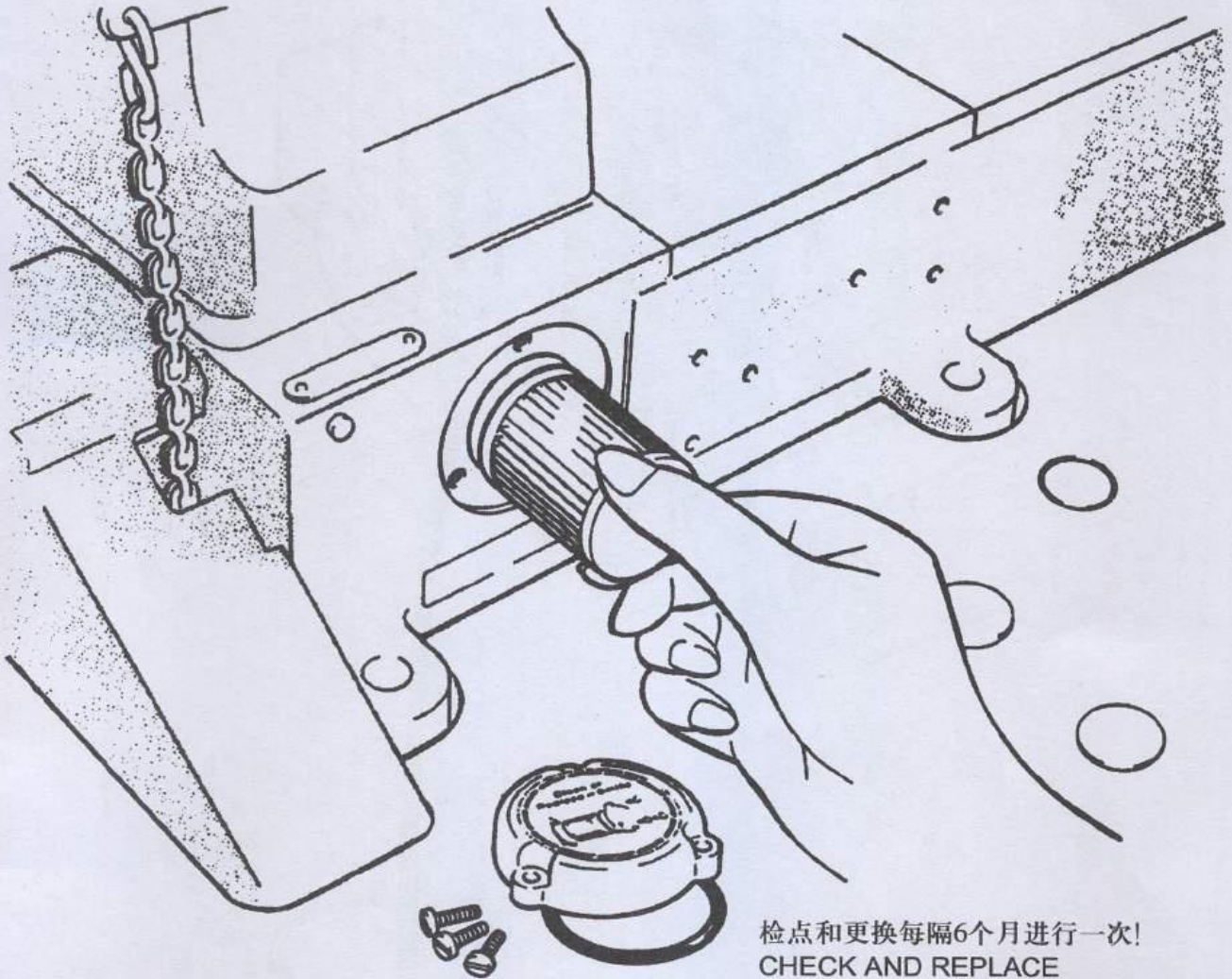
## 检查机油的循环 Checking the oil circulation



使用中的保养  
MAINTENANCE  
DURING USE

## 油过滤器的检点与更换 Checking and replacing the oil filter

机油过滤器，请于每6个月拆下来检点或更换一次。  
Check and replace the oil filter every six months.



检点和更换每隔6个月进行一次!  
CHECK AND REPLACE  
EVERY 6 MONTHS!

注：缝纫机附带有UT装置时，请拆下螺线管托架。

NOTE: On machines fit with a UT Device, remove the solenoid bracket.



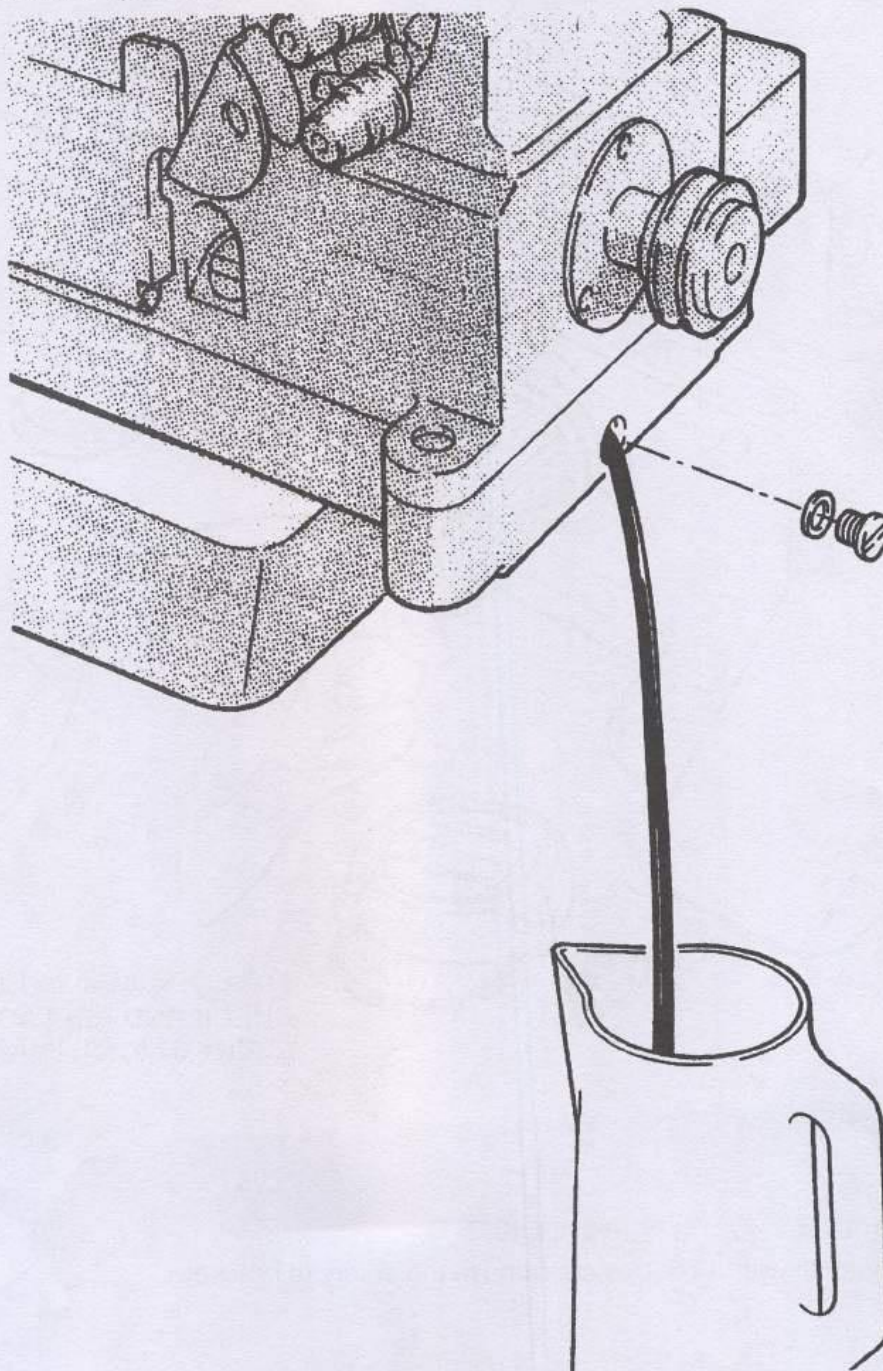
使用中的保养  
MAINTENANCE  
DURING USE

## 换机油 Replacing the oil

机油的更换，请在使用开始1个月后更换一次。  
然后，每6个月更换一次。

Replace the oil one month after the first use  
and every six months thereafter.

供油请参见第1页 (See P.1)



500 调整标准参数表

500 调整 Dimensions

(mm)

| 500-01CB | 224 | 10.2 | 4.8~5.1 | 8.3~8.7 | 4.5~5.0 | 17.0 | 0.8~1.2 |  |  |  |  |  |
|----------|-----|------|---------|---------|---------|------|---------|--|--|--|--|--|
| 02BB     | 232 | 9.8  | 4.4~4.7 | 8.3~8.7 | 4.5~5.0 | 17.0 | 0.8~1.2 |  |  |  |  |  |
| 03EB     | 248 | 8.9  | 3.6~3.9 | 8.3~8.7 | 4.5~5.0 | 17.0 | 0.8~1.2 |  |  |  |  |  |
| 04DB     | 256 | 8.5  | 3.2~3.5 | 8.3~8.7 | 4.5~5.0 | 17.0 | 0.8~1.2 |  |  |  |  |  |
| 05MD     | 264 | 8.1  | 2.8~3.1 | 8.3~8.7 | 4.5~5.0 | 17.0 | 0.8~1.2 |  |  |  |  |  |
| 06HD     | 348 | 9.4  | 3.6~3.9 | 8.3~8.7 | 4.5~5.0 | 17.0 | 0.8~1.2 |  |  |  |  |  |
| 07FD     | 356 | 8.5  | 8.3~8.7 | 8.3~8.7 | 4.5~5.0 | 17.0 | 0.8~1.2 |  |  |  |  |  |
| 08AB     | 364 | 8.1  | 2.8~3.1 | 8.3~8.7 | 4.5~5.0 | 17.0 | 0.8~1.2 |  |  |  |  |  |

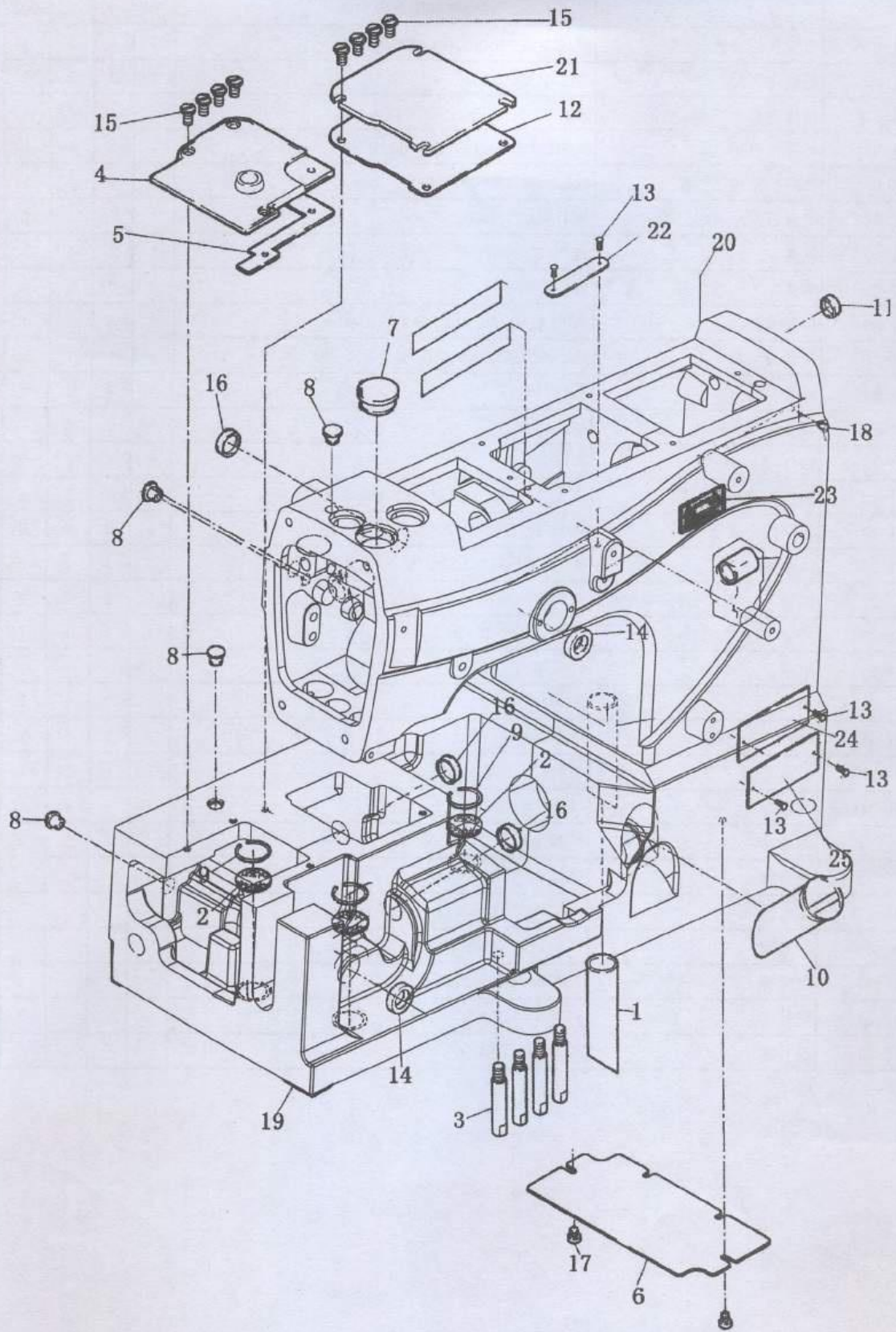
### 针号对照表

|                        |    |    |    |    |    |     |     |     |
|------------------------|----|----|----|----|----|-----|-----|-----|
| Japanese size (Organ)  | #  | 9  | 10 | 11 | 14 | 16  | 18  | 21  |
| †Metric size (Schmetz) | Nm | 65 | 70 | 75 | 90 | 100 | 110 | 130 |
|                        |    |    |    |    |    |     |     |     |

### 标准用针

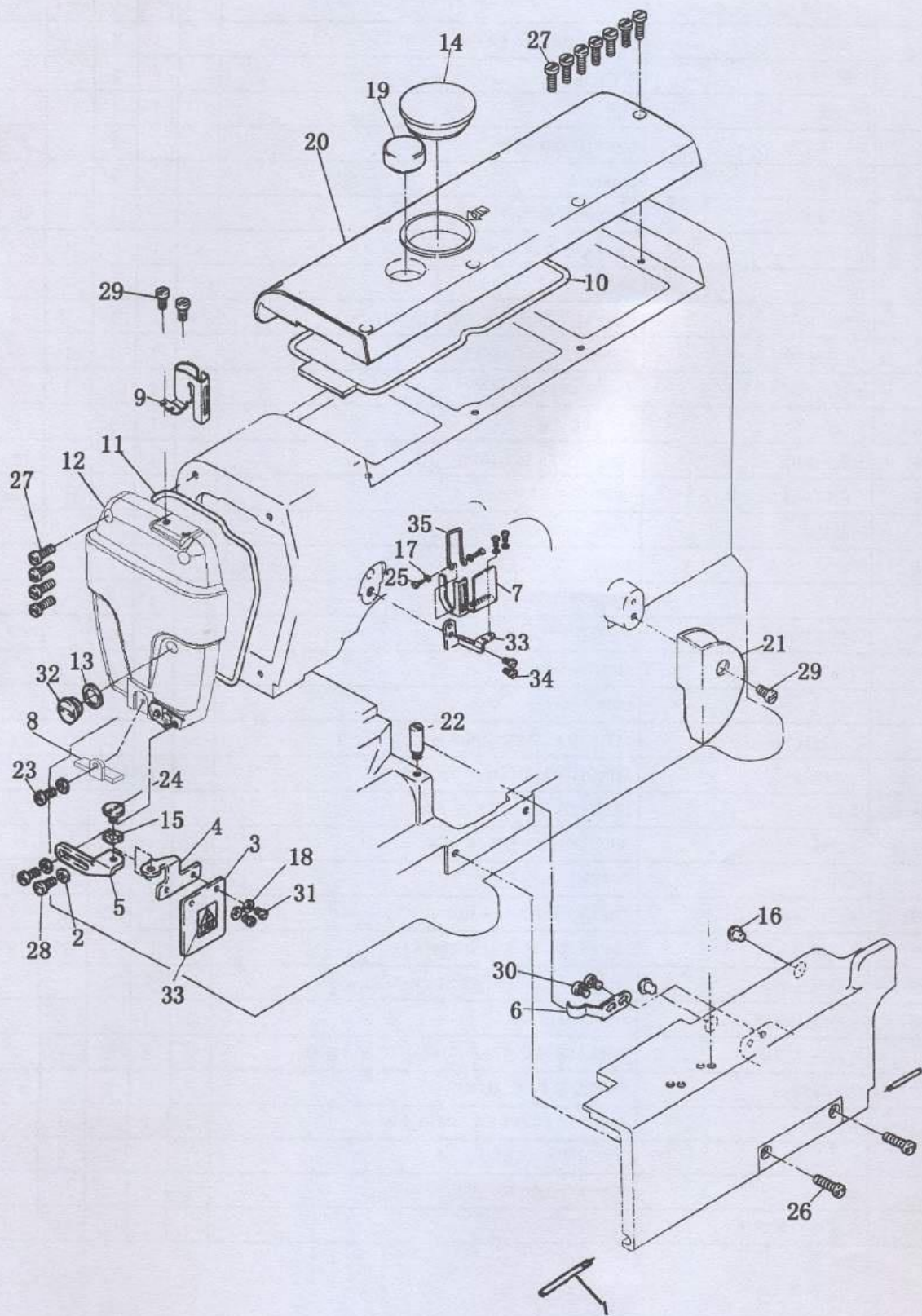
|          |      |                   |
|----------|------|-------------------|
| 500-01CB |      | Organ<br>UY128GAS |
| 02BB     | x□□□ |                   |
| 02EB     | 224  | 9S                |
| 04DB     | 232  | 9S                |
|          | 248  | 9S                |
| 05MD     | 256  | 9S                |
| 06HD     | 264  | 9S                |
|          | 348  | 10S               |
| 07FD     | 356  | 10S               |
| 08AB     | 364  | 10S               |

1. 机壳部件 (1)      FRAME COMPONENTS (ONE)



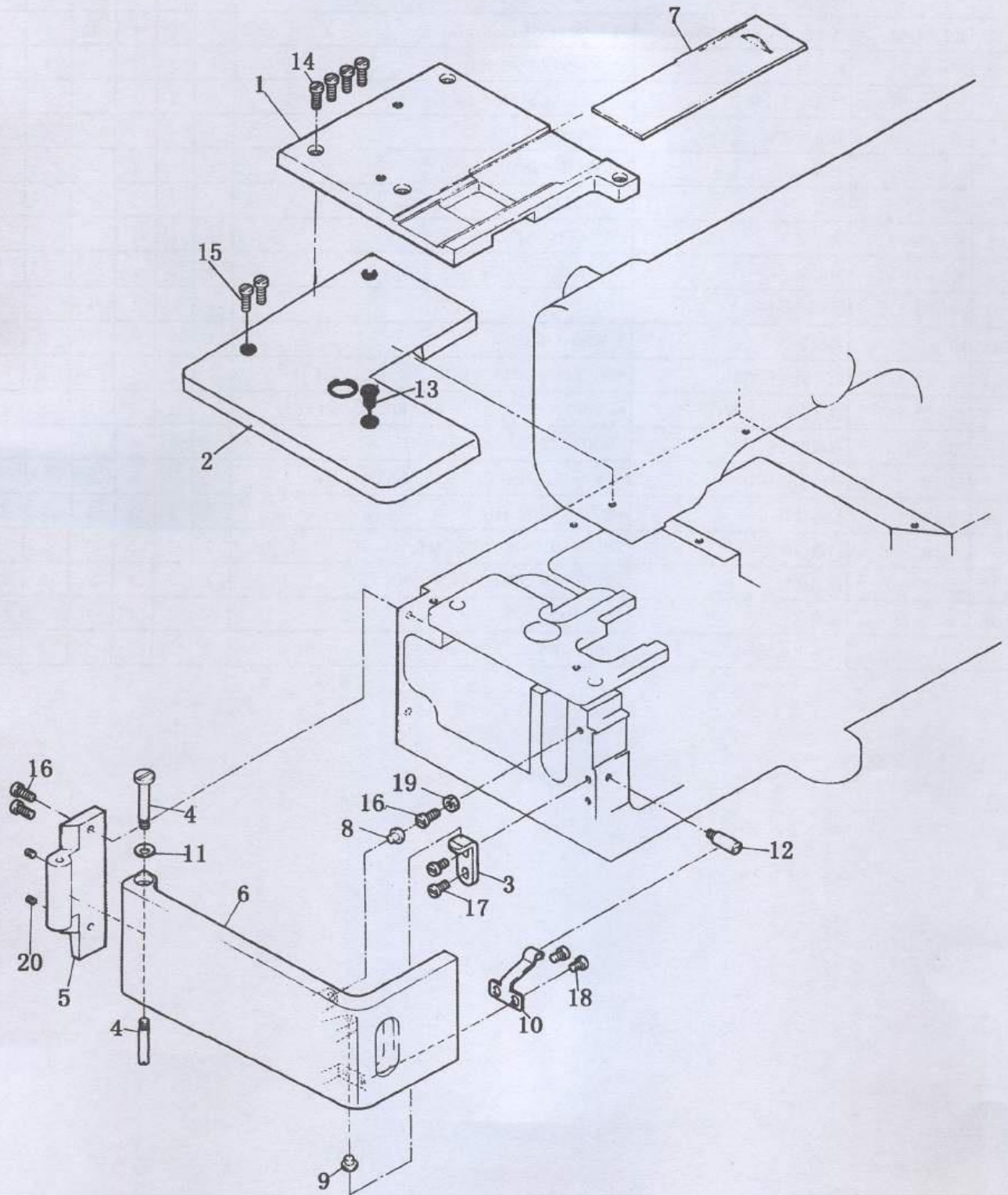
| 一、机壳部件 (1) FRAME COMPONENTS (ONE) |             |          |                                 |     |     |     |     |     |       |
|-----------------------------------|-------------|----------|---------------------------------|-----|-----|-----|-----|-----|-------|
| 序号                                | 图号          | 名称       | DESIGNATION                     | -01 | -02 | -03 | -04 | -05 | -02HY |
| 1                                 | 301.01-01   | 机壳竖回油管   | MACHINE FRAME OIL STAND PIPE    | 1   | 1   | 1   | 1   | 1   | 1     |
| 2                                 | 301.01-02   | 过滤网20目   | FILTER HALFTONE                 | 3   | 3   | 3   | 3   | 3   | 3     |
| 3                                 | 301.01-03   | 机座螺钉     | MACHINE MOUNTING SCREW M8       | 4   | 4   | 4   | 4   | 4   | 4     |
| 4                                 | 301.01-04   | 针距按钮盖    | PUSH BUTTON COVER (NEEDLE)      | 1   | 1   | 1   | 1   | 1   | 1     |
| 5                                 | 301.01-05   | 针距按钮盖防油垫 | OIL PROTECTING GASKET           | 1   | 1   | 1   | 1   | 1   | 1     |
| 6                                 | 301.01-06   | 底罩板      | BED HOOD PLATE                  | 1   | 1   | 1   | 1   | 1   | 1     |
| 7                                 | 301.01-07   | 闷头       | PLUG STUD                       | 1   | 1   | 1   | 1   | 1   | 1     |
| 8                                 | 301.01-08   | 闷头       | PLUG STUD                       | 4   | 4   | 4   | 4   | 4   | 4     |
| 9                                 | 301.01-09   | 挡圈内孔     | THREAD TAKE-UP LEVER GUARD      | 3   | 3   | 3   | 3   | 3   | 3     |
| 10                                | 301.01-10   | 油量指示窗    | OIL INDICATION WINDOW           | 1   | 1   | 1   | 1   | 1   | 1     |
| 11                                | 301.01-11   | 闷头       | PLUG STUD                       | 1   | 1   | 1   | 1   | 1   | 1     |
| 12                                | 301.01-12   | 弯针传动盖油垫  | OIL GASKET                      | 1   | 1   | 1   | 1   | 1   | 1     |
| 13                                | 301.01-12-1 | 铆钉       | RIVET                           | 6   | 6   | 6   | 6   | 6   | 6     |
| 14                                | 301.01-13   | 挑线轴骨架密封圈 | FRAMEWORK AIRPROOF RING         | 2   | 2   | 2   | 2   | 2   | 2     |
| 15                                | 301.01-14   | 针距按钮盖螺钉  | PUSH BUTTON CAP SCREW M4×8      | 8   | 8   | 8   | 8   | 8   | 8     |
| 16                                | 301.01-14-2 | 防油圈      | OIL SHIELD COIL PROTECTING RING | 3   | 3   | 3   | 3   | 3   | 3     |
| 17                                | 301.01-22   | 螺钉       | SCREW M4×5                      | 2   | 1   | 2   | 2   | 2   | 2     |
| 18                                | 301.01-23   | 指示销      | DIRECTION OF PIN                | 1   | 1   | 1   | 1   | 1   | 1     |
| 19                                | 301.01-27   | 机座       | MACHINE SEAT                    | 1   | 1   | 1   | 1   | 1   | 1     |
| 20                                | 301.01-28   | 机壳       | ARM                             | 1   | 1   | 1   | 1   | 1   | 1     |
| 21                                | 301.01-29   | 弯针传动仓板   | LOOPER DRIVER PLATE             | 1   | 1   | 1   | 1   | 1   | 1     |
| 22                                | 301.01-30   | 机身号码     | AIRFRAME NUMBER                 | 1   | 1   | 1   | 1   | 1   | 1     |
| 23                                | 301.01-31   | 注意牌      | PLATE WITH NOTICE               | 1   | 1   | 1   | 1   | 1   | 1     |
| 24                                | 301.01-32   | 商标牌      | PLATE WITH TRADEMARK            | 1   | 1   | 1   | 1   | 1   | 1     |
| 25                                | 301.01-33   | 型号牌      | PLATE WITH MODEL                | 1   |     |     |     |     |       |
| 26                                | 302.01-33   | 型号牌      | PLATE WITH MODEL                |     | 1   |     |     |     |       |
| 27                                | 303.01-33   | 型号牌      | PLATE WITH MODEL                |     |     | 1   |     |     |       |
| 28                                | 310.01-33   | 型号牌      | PLATE WITH MODEL                |     |     |     | 1   |     |       |
| 29                                | 311.01-33   | 型号牌      | PLATE WITH MODEL                |     |     |     |     | 1   |       |
| 30                                | 338.01-33   | 型号牌      | PLATE WITH MODEL                |     |     |     |     |     | 1     |

2. 机壳部件 (2)      FRAME COMPONENTS (TWO)



| 二、机壳部件 (2) FRAME COMPONENTS (TWO) |           |                              |                                   |     |     |     |     |     |       |
|-----------------------------------|-----------|------------------------------|-----------------------------------|-----|-----|-----|-----|-----|-------|
| 序号                                | 图号        | 名称                           | DESIGNATION                       | -01 | -02 | -03 | -04 | -05 | -02HY |
| 1                                 | 301.02-01 | 穿线罩销轴                        | THREADING COVER PIN               | 1   | 1   | 1   | 1   | 1   | 1     |
| 2                                 | 301.02-02 | 垫圈                           | WASHER                            | 2   | 2   | 2   |     |     | 2     |
| 3                                 | 301.02-03 | 防护罩                          | SHIELD                            | 1   | 1   | 1   |     |     | 1     |
| 4                                 | 301.02-04 | 防护罩支架                        | SHIELD BRACKET                    | 1   | 1   | 1   |     |     | 1     |
| 5                                 | 301.02-05 | 防护罩座                         | SHIELD SEAT                       | 1   | 1   | 1   |     |     | 1     |
| 6                                 | 301.02-06 | 穿线罩弹簧                        | THREADING COVER SPRING            | 1   | 1   | 1   | 1   | 1   | 1     |
| 7                                 | 301.02-07 | 挑线防护罩                        | THREADING COVER SPRING            | 1   | 1   | 1   | 1   |     |       |
| 8                                 | 301.02-08 | 衣车灯                          | SEWING MACHINA LED                | 1   | 1   | 1   | 1   |     | 1     |
| 9                                 | 301.02-09 | 上挑线座罩                        | THREAD TAKE-UP LEVER GUARD        | 1   | 1   | 1   | 1   | 1   |       |
| 10                                | 301.02-10 | 上盖密封垫                        | UPPER COVER GASKET                | 1   | 1   | 1   | 1   | 1   | 1     |
| 11                                | 301.02-11 | 面板密封垫                        | FACE COVER GASKET                 | 1   | 1   | 1   | 1   | 1   | 1     |
| 12                                | 301.02-12 | 面板                           | FACE COVER                        | 1   | 1   | 1   | 1   | 1   | 1     |
| 13                                | 301.02-14 | 面板密封圈 $\phi 12.5 \times 1$   | FACE COVER SEAL RING              | 1   | 1   | 1   | 1   | 1   | 1     |
| 14                                | 301.02-15 | 上盖闷头 $\phi 36.7 \times 12.2$ | UPPER COVER PLUG                  | 1   | 1   | 1   | 1   | 1   | 1     |
| 15                                | 301.02-16 | 鞍型垫圈                         | WAVE WASHER                       | 1   | 1   | 1   |     |     | 1     |
| 16                                | 301.02-17 | 防震塞                          | SHOCKPROOF PLUG                   | 2   | 2   | 2   | 2   | 2   | 4     |
| 17                                | 301.02-18 | 垫片                           | WASHER                            | 4   | 4   | 4   | 4   | 4   | 4     |
| 18                                | 301.02-19 | 防护罩垫圈                        | SHIELD WASHER                     | 2   | 2   | 2   |     |     | 2     |
| 19                                | 301.02-20 | 喷油窗                          | SIGHT WINDOW                      | 1   | 1   | 1   | 1   | 1   | 1     |
| 20                                | 301.02-21 | 上盖                           | UPPER COVER                       | 1   | 1   | 1   | 1   | 1   | 1     |
| 21                                | 301.02-22 | 底线过线导板                       | THREAD EYELET GUIDE PLATE         | 1   | 1   | 1   | 1   | 1   | 1     |
| 22                                | 301.02-23 | 过线连接柱                        | THREAD HANDLER LINK               | 1   | 1   | 1   | 1   | 1   | 1     |
| 23                                | 301.02-24 | 螺钉                           | FACE COVER SCREW 9/64X10          | 1   | 1   | 1   | 1   | 1   | 1     |
| 24                                | 301.02-25 | 防护罩铰链螺钉                      | SHIELD HINGE SCREW M4             | 1   | 1   | 1   |     |     | 1     |
| 25                                | 301.02-26 | 螺钉                           | SCREW M6X10                       | 4   | 4   | 4   | 4   | 4   | 4     |
| 26                                | 301.02-27 | 穿线罩铰链螺钉                      | THREADING COVER HINGE SCREW M4X16 | 2   | 2   | 2   | 2   | 2   | 2     |
| 27                                | 301.02-28 | 上盖螺钉                         | UPPER COVER SCREW M4X12           | 11  | 11  | 11  | 11  | 9   | 11    |
| 28                                | 301.02-29 | 硅油过线架螺钉                      | SILICONE OIL THREAD STAND SCREW   | 2   | 2   | 2   |     |     | 2     |
| 29                                | 301.02-30 | 上跳线罩螺钉                       | SCREW M4X8                        | 3   | 3   | 3   | 3   | 3   |       |
| 30                                | 301.02-31 | 穿线罩弹簧螺钉                      | THREADING COVER SPRING SCREW M4X6 | 2   | 2   | 2   | 2   | 2   | 2     |
| 31                                | 301.02-32 | 防护罩螺钉                        | SHIELD SCREW M3X5                 | 2   | 2   | 2   |     |     | 2     |
| 32                                | 301.02-33 | 面板螺钉                         | FACE COVER SCREW SM3/8X28         | 1   | 1   | 1   | 1   | 1   | 1     |
| 33                                | 301.02-34 | 护板支架                         | SHIELD BRACKET                    | 1   | 1   | 1   | 1   | 1   | 1     |
| 34                                | 301.02-35 | 螺钉                           | SCREW M6X10                       | 2   | 2   | 2   | 2   | 2   | 2     |
| 35                                | 301.02-36 | 挑线防护罩钢丝                      | STEEL WIRE                        | 1   | 1   | 1   | 1   | 1   | 1     |

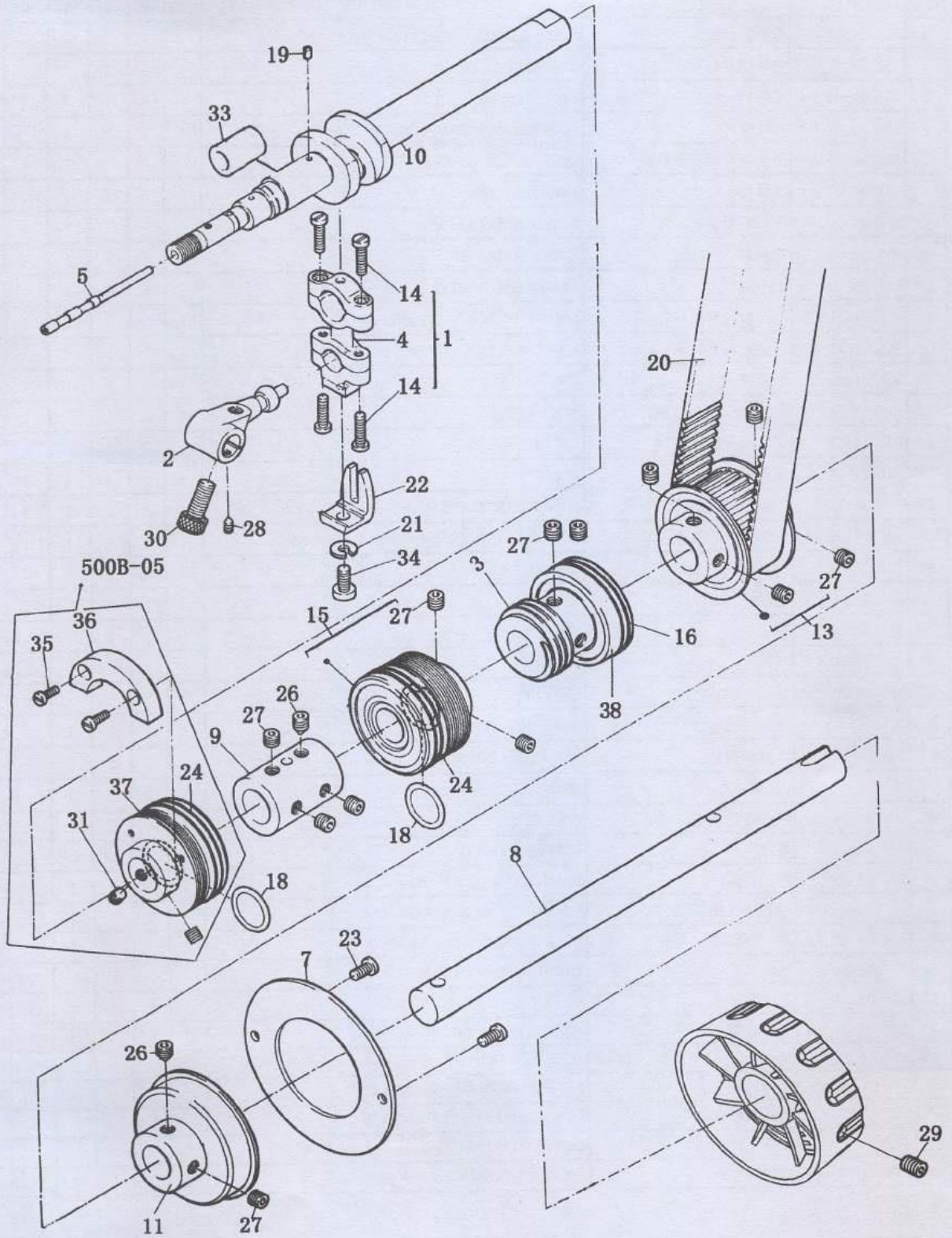
3. 机壳部件 (3)      FRAME COMPONENTS (THREE)





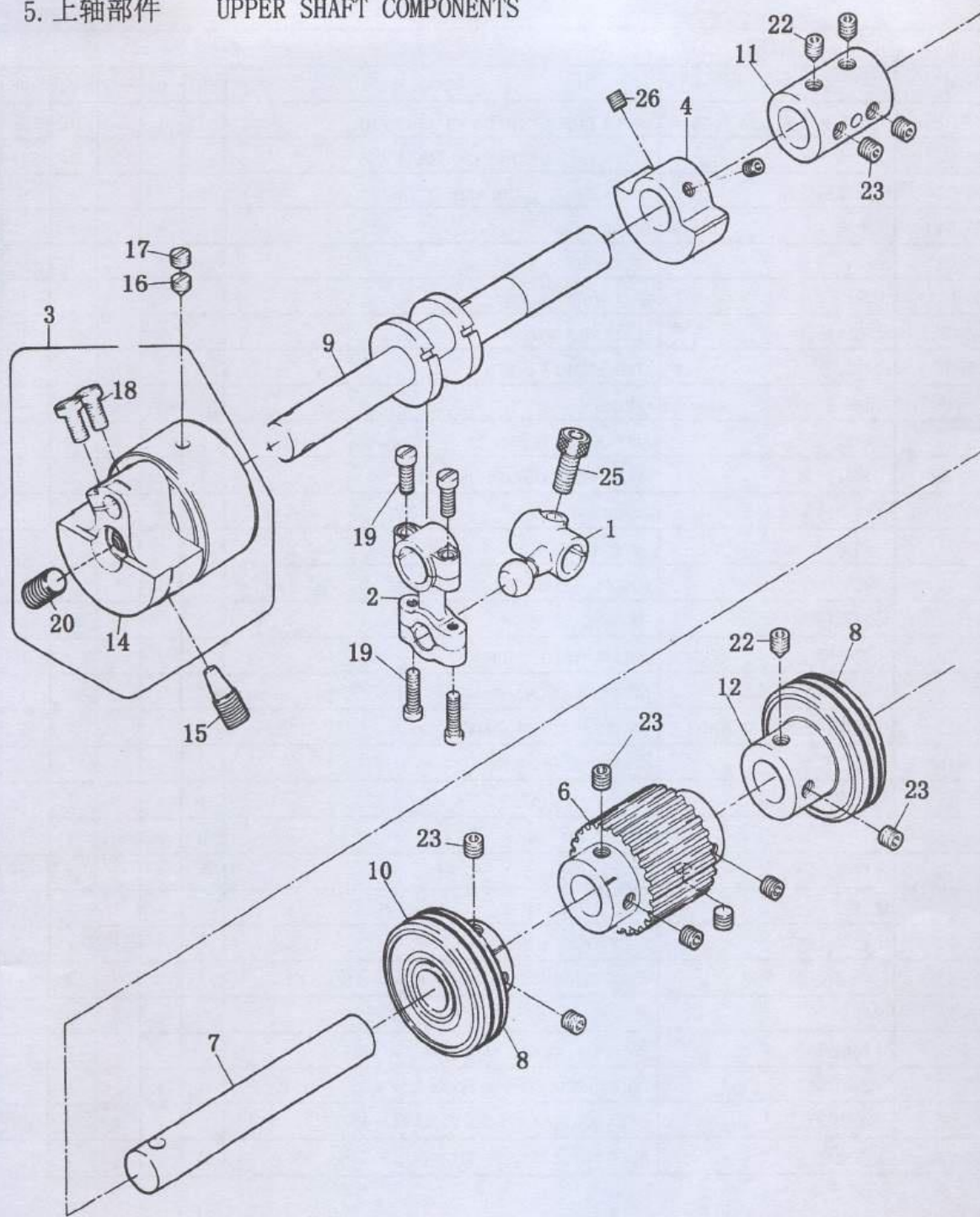
| 三、机壳部件 (3) FRAME COMPONENTS (THREE) |           |          |                                      |     |     |     |     |     |       |
|-------------------------------------|-----------|----------|--------------------------------------|-----|-----|-----|-----|-----|-------|
| 序号                                  | 图号        | 名称       | DESIGNATION                          | -01 | -02 | -03 | -04 | -05 | -02HY |
| 1                                   | 301.03-01 | 缝台上罩     | SEWING PLATE UPER COVER              | 1   | 1   | 1   | 1   | 1   | 1     |
| 2                                   | 301.03-03 | 缝台前板     | SEWING PLATE FRONT COVER             | 1   | 1   | 1   | 1   |     | 1     |
| 3                                   | 301.03-04 | 防震板      | SHOCKPROOF BOARD                     | 1   | 1   | 1   | 1   | 1   | 1     |
| 4                                   | 301.03-06 | 铰链连接上螺钉  | HINGE LINK SCREW M4                  | 2   | 2   | 2   | 2   | 2   | 2     |
| 5                                   | 301.03-07 | 前罩铰链板    | HINGE BOARD                          | 1   | 1   | 1   | 1   | 1   | 1     |
| 6                                   | 301.03-08 | 前罩       | FRONTAL MANTLE                       | 1   | 1   | 1   | 1   |     | 1     |
| 7                                   | 301.03-09 | 推板       | SLIDE PLATE                          | 1   | 1   | 1   | 1   | 1   | 1     |
| 8                                   | 301.03-10 | 防震塞      | SHOCKPROOF PLUG                      | 1   | 1   | 1   | 1   | 1   | 1     |
| 9                                   | 301.03-11 | 防震塞      | SHOCKPROOF PLUG                      | 2   | 2   | 2   | 2   | 2   | 2     |
| 10                                  | 301.03-12 | 前罩板弹簧    | FRONTAL MANTLE SPRING                | 1   | 1   | 1   | 1   | 1   | 1     |
| 11                                  | 301.03-13 | 弹簧垫圈     | SPRING WASHER                        | 1   | 1   | 1   | 1   | 1   | 1     |
| 12                                  | 301.03-14 | 前罩板定位螺钉  | FRONTAL MANTLE SCREW M4              | 1   | 1   | 1   | 1   | 1   | 1     |
| 13                                  | 301.03-15 | 缝台前板沉头螺钉 | SEWING PLATE FRONT COVER SCREW M4×8  | 1   | 1   | 1   | 1   | 1   | 1     |
| 14                                  | 301.03-16 | 罩板螺钉     | MANTLE PLATE SCREW M4×12             | 4   | 4   | 4   | 4   | 4   | 4     |
| 15                                  | 301.03-17 | 缝台前板螺钉   | SEWING PLATE FRONT COVER SCREW M4×12 | 2   | 2   | 2   | 2   | 2   | 2     |
| 16                                  | 301.03-18 | 铰链螺钉     | HINGE SCREW M4×10                    | 3   | 3   | 3   | 3   | 3   | 3     |
| 17                                  | 301.03-19 | 防震板螺钉    | SHOCKPROOF BOARD SCREW M4×8          | 2   | 2   | 2   | 2   | 2   | 2     |
| 18                                  | 301.03-20 | 前罩螺钉     | FRONTAL MANTLE SCREW M4×6            | 2   | 2   | 2   | 2   | 2   | 2     |
| 19                                  | 301.03-21 | 螺帽       | NUT M4                               | 1   | 1   | 1   | 1   | 1   | 1     |
| 20                                  | 301.03-22 | 铰链上头螺钉   | HINGE UPPER SCREW M3×4               | 2   | 2   | 2   | 2   | 2   | 2     |

4. 下轴部件 LOWER SHAFT COMPONENTS



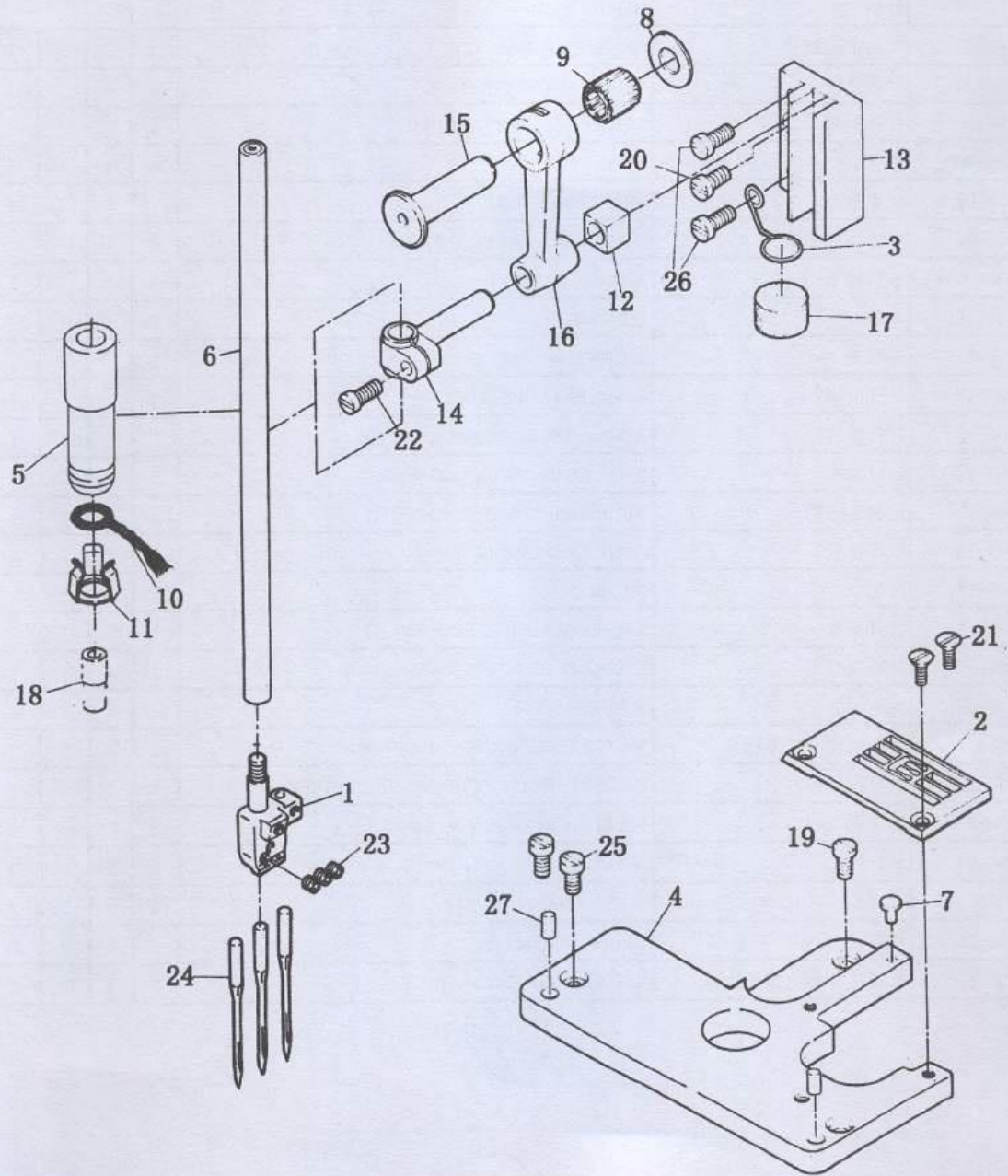
| 四、下轴部件 LOWER SHAFT COMPONENTS |              |           |                                    |     |     |     |     |     |       |
|-------------------------------|--------------|-----------|------------------------------------|-----|-----|-----|-----|-----|-------|
| 序号                            | 图号           | 名称        | DESIGNATION                        | -01 | -02 | -03 | -04 | -05 | -02HY |
| 1                             | 301.04-01    | 弯针连杆组件    | LOOPER LEVER COMPLETE              | 1   | 1   | 1   | 1   |     | 1     |
| 2                             | 301.04-02    | 弯针球曲柄     | LOOPER BALL CRANK                  | 1   | 1   | 1   | 1   |     | 1     |
| 3                             | 301.04-03    | 油泵蜗杆      | OIL PUMP WORM                      | 1   | 1   | 1   | 1   | 1   | 1     |
| 4                             | 301.04-04    | 弯针连杆      | LOOPER LEVER COMPLETE              | 1   | 1   | 1   | 1   |     | 1     |
| 5                             | 301.04-05    | 下轴油量调节芯针  | OIL FLOW REGULATING NEEDLE         | 1   | 1   | 1   | 1   | 1   | 1     |
| 7                             | 301.04-07    | 压紧环       | IMPACTED LOOP                      | 1   | 1   | 1   | 1   | 1   | 1     |
| 8                             | 301.04-08    | 下轴后节轴     | LOWER SHAFT BACKSIDE               | 1   | 1   | 1   | 1   | 1   | 1     |
| 9                             | 301.04-09    | 联轴器       | LINK BEARING                       | 1   | 1   | 1   | 1   | 1   | 1     |
| 10                            | 301.04-10    | 下轴前节      | LOWER SHAFT FOREPART               | 1   | 1   | 1   | 1   |     | 1     |
| 11                            | 301.04-11    | 下轴后衬套组件   | LOWER BEARING FITTINGS ASM.        | 1   | 1   | 1   | 1   | 1   | 1     |
|                               | 301.04-11-01 | 下轴后衬套轴承   | LOWER BEARING FITTINGS BEARING     | 1   | 1   | 1   | 1   | 1   | 1     |
|                               | 301.04-11-02 | 轴承挡圈      | THRUST RING                        | 1   | 1   | 1   | 1   | 1   | 1     |
| 12                            |              | 手轮        | HAND WHEEL                         | 1   | 1   | 1   | 1   | 1   | 1     |
| 13                            | 301.04-13    | 主动时规轮组件   | DRIVING WHEEL                      | 1   | 1   | 1   | 1   | 1   | 1     |
| 14                            | 301.04-14    | 弯针连杆螺钉    | SCREW                              | 4   | 4   | 4   | 4   |     | 4     |
| 15                            | 301.04-15    | 下轴中衬套组件   | LOWER SHAFT CENTRE BUSHING ASM.    | 1   | 1   | 1   | 1   | 1   | 1     |
|                               | 301.04-15-01 | 下轴中衬套轴承   | LOWER SHAFT CENTRE BUSHING BEARING | 1   | 1   | 1   | 1   | 1   | 1     |
| 16                            | 301.04-36    | O型圈       | O-RING                             | 2   | 2   | 2   | 2   | 2   | 2     |
| 18                            | 301.04-18    | O型圈       | O-RING                             | 2   | 2   | 2   | 2   | 2   | 2     |
| 19                            | 301.04-19    | 销子        | PIN                                | 1   | 1   | 1   | 1   | 1   | 1     |
| 20                            | 301.04-20    | 皮带        | BELT                               | 1   | 1   | 1   | 1   | 1   | 1     |
| 21                            | 301.04-21    | 开口垫圈      | SNAP RIGN                          | 1   | 1   | 1   | 1   | 1   | 1     |
| 22                            | 301.04-22    | 叉口        | FORK                               | 1   | 1   | 1   | 1   | 1   | 1     |
| 23                            | 301.04-23    | 压紧环螺钉     | IMPACTED LOOP SCREW M4×8           | 2   | 2   | 2   | 2   | 2   | 2     |
| 24                            | 301.04-37    | O型圈       | O-RING                             | 2   | 2   | 2   | 2   | 4   | 2     |
| 26                            | 301.04-26    | 联轴器定位螺钉锥端 | LINK BEARING SCREW M6×0.75×8       | 2   | 2   | 2   | 2   | 2   | 2     |
| 27                            | 301.04-27    | 螺钉        | SCREW M6×0.75×5                    | 12  | 12  | 12  | 12  | 12  | 12    |
| 28                            | 301.04-28    | 球曲柄螺钉     | BALL CRANK SCREW M3×4              | 1   | 1   | 1   | 1   |     | 1     |
| 29                            |              | 手轮定位螺钉    | HAND WHEEL SCREW M5×10             | 1   | 1   | 1   | 1   | 1   | 1     |
| 30                            | 301.04-30    | 球曲柄螺钉     | BALL CRANK SCREW M6×0.75×14        | 1   | 1   | 1   | 1   |     | 1     |
| 31                            | 311.04-31    | 前套螺钉      | FRONT BUSHING SCREW M5×5           |     |     |     |     | 2   |       |
| 33                            | 301.04-35    | 下轴前套      | LOWER SHAFT FRONT BUSHING          | 1   | 1   | 1   | 1   | 1   | 1     |
| 34                            | 301.04-34    | 叉口螺钉      | FORK SCREW SM11/64×40×8            | 1   | 1   | 1   | 1   | 1   | 1     |
| 35                            | 311.04-38    | 螺钉        | SCREW M3×8                         |     |     |     |     | 2   |       |
| 36                            | 311.04-16-01 | 平衡块       | NEEDLE DRIVING FRONT BEARING       |     |     |     |     | 1   |       |
| 37                            | 311.04-16    | 下轴前衬套组件   | LOWER SHAFT FRONT BUSHING ASM.     |     |     |     |     | 1   |       |
|                               | 311.04-16-02 | 下轴前衬套轴承   | LOWER SHAFT FRONT BUSHING BEARING  |     |     |     |     | 1   |       |
| 38                            | 301.04-03-01 | 油泵蜗杆轴承    | OIL PUMP WORM BEARING              | 1   | 1   | 1   | 1   | 1   | 1     |

5. 上轴部件 UPPER SHAFT COMPONENTS



| 五、上轴部件 UPPER SHAFT COMPONENTS |              |             |                                       |     |     |     |     |     |       |
|-------------------------------|--------------|-------------|---------------------------------------|-----|-----|-----|-----|-----|-------|
| 序号                            | 图号           | 名称          | DESIGNATION                           | -01 | -02 | -03 | -04 | -05 | -02HY |
| 1                             | 301.05-01    | 上挑线球曲柄      | UPPER TACE-UP THREAD BALL CRANK       | 1   | 1   | 1   | 1   | 1   | 1     |
| 2                             | 301.05-02    | 上挑线连杆       | UPPER TACE-UP THREAD LINK LEVER       | 1   | 1   | 1   | 1   | 1   | 1     |
| 3                             | 301.05-03    | 针杆曲柄组件      | NEEDLE BAR CRANK ASM.                 | 1   | 1   | 1   | 1   | 1   | 1     |
| 4                             | 301.05-04    | 平衡块(上)      | UPPER BALANCE BLOCK                   | 1   | 1   | 1   | 1   | 1   | 1     |
| 5                             | 301.05-05    | 上轮          | BELT WHEEL                            | 1   | 1   | 1   | 1   |     | 1     |
|                               | 311.05-01    | 上轮          | BELT WHEEL                            |     |     |     |     | 1   |       |
| 6                             | 301.05-06    | 从动时轮规       | FOLLOWER WHEEL                        | 1   | 1   | 1   | 1   | 1   | 1     |
| 7                             | 301.05-07    | 上轴后节        | MAIN SHAFT BACKSIDE                   | 1   | 1   | 1   | 1   |     | 1     |
| 8                             | 301.05-29    | O型圈         | O-RING                                | 4   | 4   | 4   | 4   | 4   | 4     |
| 9                             | 301.05-09    | 上轴前节        | MAIN SHAFT FOREPART                   | 1   | 1   | 1   | 1   | 1   | 1     |
| 10                            | 301.05-10    | 上轴前衬套       | MAIN SHAFT FRONT BUSHING              | 1   | 1   | 1   | 1   | 1   | 1     |
|                               | 301.05-10-01 | 上轴前衬套轴承     | BEARING                               | 1   | 1   | 1   | 1   | 1   | 1     |
| 11                            | 301.05-11    | 联轴器         | LINK BEARING                          | 1   | 1   | 1   | 1   | 1   |       |
| 12                            | 301.05-12    | 后衬套组件       | MAIN SHAFT BACK BUSHING ASM.          | 1   | 1   | 1   | 1   | 1   | 1     |
|                               | 301.05-12-01 | 后衬套轴承       | BEARING                               | 1   | 1   | 1   | 1   | 1   | 1     |
| 13                            | 301.05-13    | 上轮垫圈        | BELT WHEEL WASHER                     | 1   | 1   | 1   | 1   | 1   | 1     |
| 14                            | 301.05-14    | 针杆曲柄        | NEEDLE BAR CRANK                      | 1   | 1   | 1   | 1   | 1   | 1     |
| 15                            | 301.05-15    | 定位螺钉长锥端紧定螺钉 | POSITION SCREW M8×1×20                | 1   | 1   | 1   | 1   | 1   | 1     |
| 16                            | 301.05-16    | 定位螺钉        | SCREW M6×0.75×6                       | 1   | 1   | 1   | 1   | 1   | 1     |
| 17                            | 301.05-17    | 止夹螺钉        | SCREW M6×0.75×3.5                     | 1   | 1   | 1   | 1   | 1   | 1     |
| 18                            | 301.05-18    | 螺钉          | SCREW M5×10                           | 2   | 2   | 2   | 2   | 2   | 2     |
| 19                            | 301.05-19    | 连杆螺钉        | LINK LEVER SCREW M4×12                | 4   | 4   | 4   | 4   | 4   | 4     |
| 20                            | 301.05-21    | 螺钉          | SCREW M8×1×15                         | 1   | 1   | 1   | 1   | 1   | 1     |
| 21                            | 301.05-22    | 上轮止夹螺钉      | BELT WHEEL SCREW M6×10                | 1   | 1   | 1   | 1   | 1   | 1     |
| 22                            | 301.05-23    | 后套定位螺钉尖端    | BACK BUSHING POSITION SCREW M6×0.75×8 | 3   | 3   | 3   | 3   | 3   | 1     |
| 23                            | 301.05-24    | 螺钉          | SCREW M6×0.75×5                       | 9   | 9   | 9   | 9   | 9   | 9     |
| 24                            | 301.05-25    | 定位螺钉        | POSITION SCREW M6×10                  | 1   | 1   | 1   | 1   | 1   | 1     |
| 25                            | 301.05-26    | 球曲柄螺钉       | BALL CRANK SCREW M6×0.75×14           | 1   | 1   | 1   | 1   | 1   | 1     |
| 26                            | 301.05-27    | 平衡块螺钉       | BALANCE BLOCK SCREW M5×5              | 2   | 2   | 2   | 2   | 2   | 2     |
| 27                            | 301.05-28    | 上轮螺钉        | BELT WHEEL SCREW M5×16                | 1   | 1   | 1   | 1   | 1   | 1     |

6. 针杆部件 NEEDLE BAR COMPONENTS

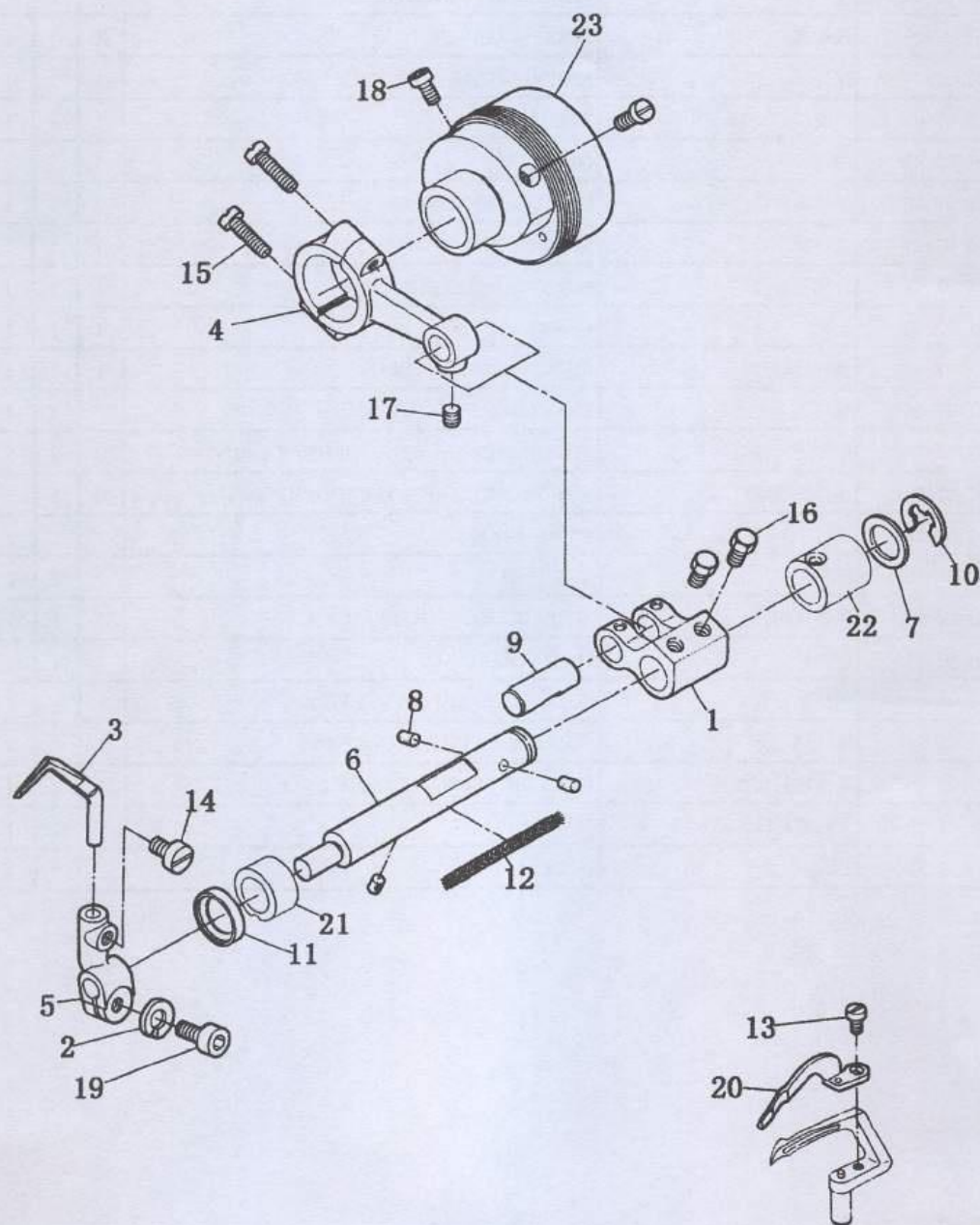


六、针杆部件 NEEDLE BAR COMPONENTS

| 序号 | 图号        | 名称        | DESIGNATION                                | -01 | -02 | -03 | -04 | -05 | -02HY |
|----|-----------|-----------|--------------------------------------------|-----|-----|-----|-----|-----|-------|
| 1  | 301.06-01 | 针夹        | NEEDLE HOLDER                              | 1   | 1   | 1   |     | 1   | 1     |
| 2  | 301.06-02 | 针板        | NEEDLE PLATE                               | 1   |     |     |     |     |       |
|    | 303.06-02 | 针板        | NEEDLE PLATE                               |     |     | 1   |     |     |       |
|    | 311.06-01 | 针板        | NEEDLE PLATE                               |     |     |     |     | 1   |       |
| 3  | 301.06-03 | 油毡定位圈     | OIL FELT POSITION LOOP                     | 1   | 1   | 1   | 1   | 1   | 1     |
| 4  | 301.06-04 | 针板接板      | NEEDLE PLATE LINK PLATE                    | 1   | 1   | 1   | 1   | 1   | 1     |
| 5  | 301.06-05 | 针杆上套      | NEEDLE BAR UPPER BUSHING                   | 1   | 1   | 1   | 1   | 1   | 1     |
| 6  | 301.06-06 | 针杆        | NEEDLE BAR                                 | 1   | 1   | 1   | 1   | 1   | 1     |
| 7  | 301.06-07 | 防震塞       | SHOCKPROOF PLUG                            | 1   | 1   | 1   | 1   | 1   | 1     |
| 8  | 301.06-08 | 针杆连杆垫圈    | NEEDLE BAR LINK LEVER WASHER               | 1   | 1   | 1   | 1   | 1   | 1     |
| 9  | 301.06-09 | 滚针轴承      | NEEDLE BEARING                             | 1   | 1   | 1   | 1   | 1   | 1     |
| 10 | 301.06-10 | 油线        | OIL WICK                                   | 1   | 1   | 1   | 1   | 1   | 1     |
| 11 | 301.06-11 | 油线夹       | OIL WICK HOLDER                            | 1   | 1   | 1   | 1   | 1   | 1     |
| 12 | 301.06-12 | 针杆滑块      | NEEDLE BAR SLIDE BLOCK                     | 1   | 1   | 1   | 1   | 1   | 1     |
| 13 | 301.06-13 | 针杆滑块座     | NEEDLE BAR SLIDE BLOCK SEATING             | 1   | 1   | 1   | 1   | 1   | 1     |
| 14 | 301.06-14 | 针杆接头      | NEEDLE BAR CONNECTING POLE                 | 1   | 1   | 1   | 1   | 1   | 1     |
| 15 | 301.06-15 | 针杆连接销     | NEEDLE BAR CONNECTING PIN                  | 1   | 1   | 1   | 1   | 1   | 1     |
| 16 | 301.06-16 | 针杆连杆      | NEEDLE BAR LINK LEVER                      | 1   | 1   | 1   | 1   | 1   | 1     |
| 17 | 301.06-17 | 油毡        | OIL FELT                                   | 1   | 1   | 1   | 1   | 1   | 1     |
| 18 | 301.06-18 | 针杆下套      | NEEDLE BAR LOWER BUSHING                   | 1   | 1   | 1   | 1   | 1   | 1     |
| 19 | 301.06-19 | 针板螺钉      | NEEDLE PLATE SCREW M4×8                    | 1   | 1   | 1   | 1   | 1   | 1     |
| 20 | 301.06-20 | 螺钉        | SCREW M4×10                                | 1   | 1   | 1   | 1   | 1   | 1     |
| 21 | 301.06-21 | 针板螺钉开槽半沉头 | NEEDLE PLATE SCREW SM9/64"×40×7            | 2   | 2   | 2   | 2   | 2   | 2     |
| 22 | 301.06-22 | 针杆接头螺钉    | NEEDLE BAR CONNECTING SCREW SM11/64"×40×10 | 1   | 1   | 1   | 1   | 1   | 1     |
| 23 | 301.06-23 | 针夹螺钉      | NEEDLE HOLDER SCREW M3×3                   | 3   | 3   | 3   | 3   | 3   | 3     |
| 24 | 301.06-24 | 机针        | NEEDLE                                     | 3   | 3   | 3   | 3   | 3   | 3     |
| 25 | 301.06-25 | 螺钉        | SCREW M4×8                                 | 2   | 2   | 2   | 2   | 2   | 2     |
| 26 | 301.06-26 | 螺钉        | SCREW M4×12                                | 2   | 2   | 2   | 2   | 2   | 2     |
| 27 | 301.06-27 | 针板接板定位销   | NEEDLE PLATE LINK PLATE PIN                | 2   | 2   | 2   | 2   | 2   | 2     |

7. 护针部件

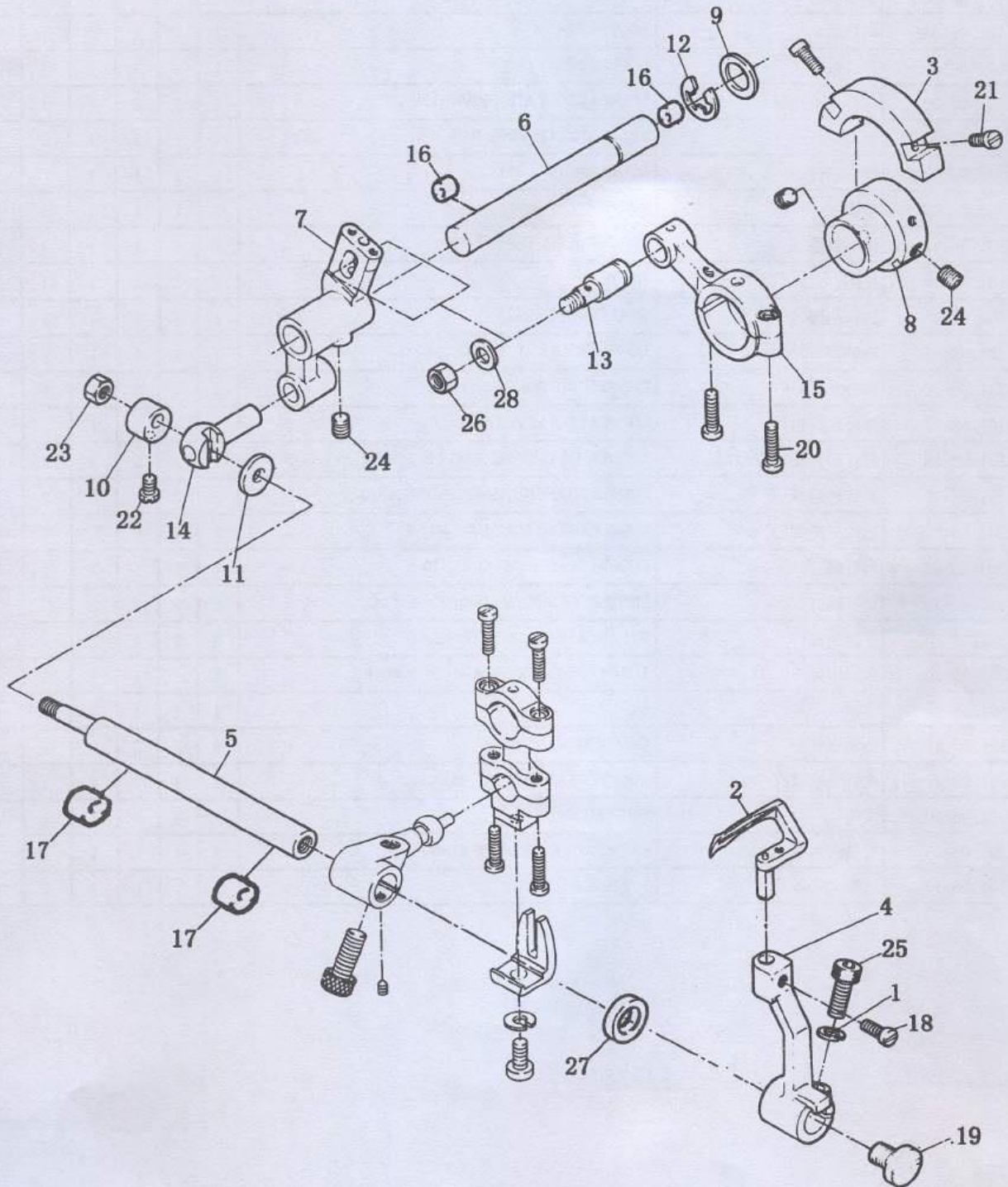
NEEDLE GUARD COMPONENTS





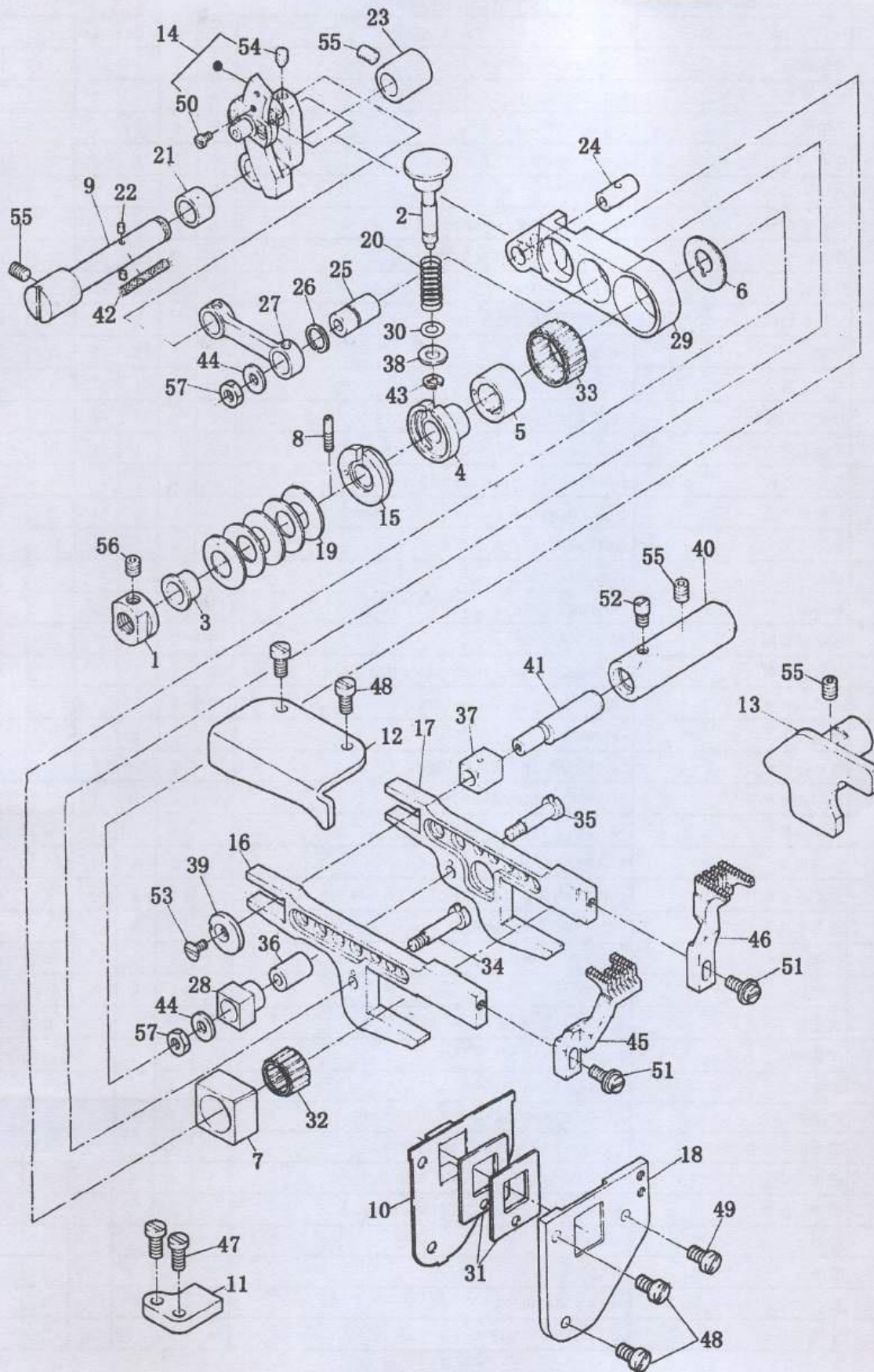
| 七、护针部件 NEEDLE GUARD COMPONENTS |              |         |                                                  |     |     |     |     |     |       |
|--------------------------------|--------------|---------|--------------------------------------------------|-----|-----|-----|-----|-----|-------|
| 序号                             | 图号           | 名称      | DESIGNATION                                      | -01 | -02 | -03 | -04 | -05 | -02HY |
| 1                              | 301.07-01    | 保针曲柄    | NEEDLE GUARD CRANK                               | 1   | 1   | 1   | 1   |     | 1     |
| 2                              | 301.07-02    | 垫圈      | WASHER                                           | 1   | 1   | 1   | 1   |     | 1     |
| 3                              | 301.07-03    | 后保针     | REAR NEEDLE GUARD                                | 1   | 1   | 1   |     |     | 1     |
| 4                              | 301.07-04    | 保针连杆    | NEEDLE GUARD CONNECTING ROD                      | 1   | 1   | 1   | 1   |     | 1     |
| 5                              | 301.07-05    | 保针座     | NEEDLE GUARD BASE                                | 1   | 1   | 1   |     |     | 1     |
| 6                              | 301.07-07    | 保针轴     | NEEDLE GUARD SHAFT                               | 1   | 1   | 1   | 1   |     | 1     |
| 7                              | 301.07-08    | 垫圈      | WASHER                                           | 1   | 1   | 1   | 1   |     | 1     |
| 8                              | 301.07-09    | 油线      | OIL WICK                                         | 3   | 3   | 3   | 3   |     | 3     |
| 9                              | 301.07-10    | 保针曲柄销   | NEEDLE GUARD CRANK PIN                           | 1   | 1   | 1   | 1   |     | 1     |
| 10                             | 301.07-11    | 开口挡圈    | SNAP THRUST RING                                 | 1   | 1   | 1   | 1   |     | 1     |
| 11                             | 301.07-12    | 骨架防油圈   | FRAMEWORK OIL SHIELD                             | 1   | 1   | 1   | 1   |     | 1     |
| 12                             | 301.07-13    | 油线      | OIL WICK                                         | 1   | 1   | 1   | 1   |     | 1     |
| 13                             | 301.07-14    | 保针螺钉    | NEEDL GUARD SCREW M2.5×4                         | 1   | 1   | 1   |     |     | 1     |
| 14                             | 301.07-15    | 螺钉      | SCREW M4×7                                       | 1   | 1   | 1   |     |     | 1     |
| 15                             | 301.07-16    | 保针连杆螺钉  | NEEDLE GUARD CONNECTING ROD SCREW SM11/64"×40×14 | 2   | 2   | 2   | 2   |     | 2     |
| 16                             | 301.07-17    | 保针曲柄螺钉  | NEEDLE GUARD CRANK SCREW SM11/64"×40×8           | 2   | 2   | 2   | 2   |     | 2     |
| 17                             | 301.07-18    | 螺钉      | SCREW M4×4                                       | 1   | 1   | 1   | 1   |     | 1     |
| 18                             | 301.07-19    | 螺钉      | SCREW M5×6                                       | 2   | 2   | 2   | 2   |     | 2     |
| 19                             | 301.07-20    | 保针座螺钉   | NEEDLE GUARD BASE SCREW M5×10                    | 1   | 1   | 1   | 1   |     | 1     |
| 20                             | 301.07-21    | 前保针     | FRONT NEEDLE GUARD                               | 1   | 1   | 1   | 1   |     | 1     |
| 21                             | 301.07-23    | 保针轴左套   | NEEDLE GUARD SHAFT LEFT BUSHING                  | 1   | 1   | 1   | 1   |     | 1     |
| 22                             | 301.07-24    | 保针轴右套   | NEEDLE GUARD SHAFT RIGHT BUSHING                 | 1   | 1   | 1   | 1   |     | 1     |
| 23                             | 301.04-16    | 下轴前衬套组件 | LOWER SHAFT FRONT BUSHING ASM.                   | 1   | 1   | 1   | 1   |     | 1     |
|                                | 301.04-16-01 | 下轴前衬套轴承 | BEARING                                          | 1   | 1   | 1   | 1   |     | 1     |
|                                | 301.04-16-02 | O形圈     | O-RING                                           | 2   | 2   | 2   | 2   |     | 2     |

8. 弯针部件 LOOPER COMPONENTS



| 八、弯针部件 LOOPER COMPONENTS |           |            |                                             |     |     |     |     |     |       |
|--------------------------|-----------|------------|---------------------------------------------|-----|-----|-----|-----|-----|-------|
| 序号                       | 图号        | 名称         | DESIGNATION                                 | -01 | -02 | -03 | -04 | -05 | -02HY |
| 1                        | 301.08-01 | 垫片         | WASHER                                      | 1   | 1   | 1   | 2   | 1   | 1     |
| 2                        | 301.08-02 | 弯针         | LOOPER                                      | 1   | 1   | 1   |     | 1   | 1     |
| 3                        | 301.08-03 | 平衡块(下)     | LOWER BALANCE BLOCK                         | 1   | 1   | 1   | 1   |     | 1     |
| 4                        | 301.08-04 | 弯针曲柄       | LOOPER CRANK                                | 1   | 1   | 1   |     | 1   | 1     |
| 5                        | 301.08-05 | 弯针轴        | LOOPER SHAFT                                | 1   | 1   | 1   |     | 1   | 1     |
| 6                        | 301.08-06 | 弯针调节摆轴     | LOOPER REGULATE DRIVING SHAFT               | 1   | 1   | 1   | 1   | 1   | 1     |
| 7                        | 301.08-07 | 调节摆杆       | REGULATOR DRIVING BAR                       | 1   | 1   | 1   | 1   | 1   | 1     |
| 8                        | 301.08-08 | 偏心凸轮       | ECCENTRICITY CAM                            | 1   | 1   | 1   | 1   |     | 1     |
| 9                        | 301.08-09 | 垫圈         | WASHER                                      | 1   | 1   | 1   | 1   | 1   | 1     |
| 10                       | 301.08-12 | 偏心紧圈       | ECCENTRICITY THRUST RING                    | 1   | 1   | 1   | 1   | 1   | 1     |
| 11                       | 301.08-13 | 垫圈         | WASHER                                      | 1   | 1   | 1   | 1   | 1   | 1     |
| 12                       | 301.08-14 | 开口挡圈       | SNAP THRUST RING                            | 1   | 1   | 1   | 1   | 1   | 1     |
| 13                       | 301.08-15 | 弯针调节柱      | LOOPER REGULATOR POLE                       | 1   | 1   | 1   | 1   | 1   | 1     |
| 14                       | 301.08-16 | 接头         | CONNECTING POLE                             | 1   | 1   | 1   | 1   | 1   | 1     |
| 15                       | 301.08-17 | 弯针连杆组件     | LOOPER LINK LEVER ASM.                      | 1   | 1   | 1   | 1   |     | 1     |
| 16                       | 301.08-18 | 弯针调节摆轴左/右套 | REGULATOR DRIVING SHAFT BUSHING(LEFT,RIGHT) | 2   | 2   | 2   | 2   | 2   | 2     |
| 17                       | 301.08-20 | 弯针轴前/后套    | LOOPER SHAFT BUSHING (FRONG ,BACK)          | 2   | 2   | 2   | 2   | 2   | 2     |
| 18                       | 301.08-22 | 弯针刀槽螺钉     | LOOPER GROOVE SCREW M4×8                    | 1   | 1   | 1   |     | 1   | 1     |
| 19                       | 301.08-23 | 弯针螺钉       | LOOPER SCREW M6×0.75×10                     | 1   | 1   | 1   |     | 1   | 1     |
| 20                       | 301.08-24 | 连杆螺钉       | LINK LEVER SCREW SM9/64"×40×14              | 2   | 2   | 2   | 2   |     | 2     |
| 21                       | 301.08-25 | 平衡块螺钉      | BALANCE BLOCK SCREW M3×6                    | 2   | 2   | 2   | 2   |     | 2     |
| 22                       | 301.08-26 | 紧圈螺钉       | THRUST RING SCREW SM11/64"×40×8             | 1   | 1   | 1   | 1   | 1   | 1     |
| 23                       | 301.08-27 | 螺帽         | NUT M4                                      | 1   | 1   | 1   | 1   | 1   | 1     |
| 24                       | 301.08-28 | 凸轮螺钉       | CAM SCREW M5×6                              | 3   | 3   | 3   | 3   | 1   | 3     |
| 25                       | 301.08-29 | 弯针曲柄螺钉     | LOOPER CRANK SCREW M5×16                    | 1   | 1   | 1   | 2   | 1   | 1     |
| 26                       | 301.08-30 | 螺帽         | NUT M5                                      | 1   | 1   | 1   | 1   | 1   | 1     |
| 27                       | 301.08-31 | 骨架密封圈      | FRAMEWORK AIRPROOF RING                     | 1   | 1   | 1   | 1   | 1   | 1     |
| 28                       | 301.08-10 | 垫圈         | WASHER                                      | 1   | 1   | 1   | 1   | 1   | 1     |

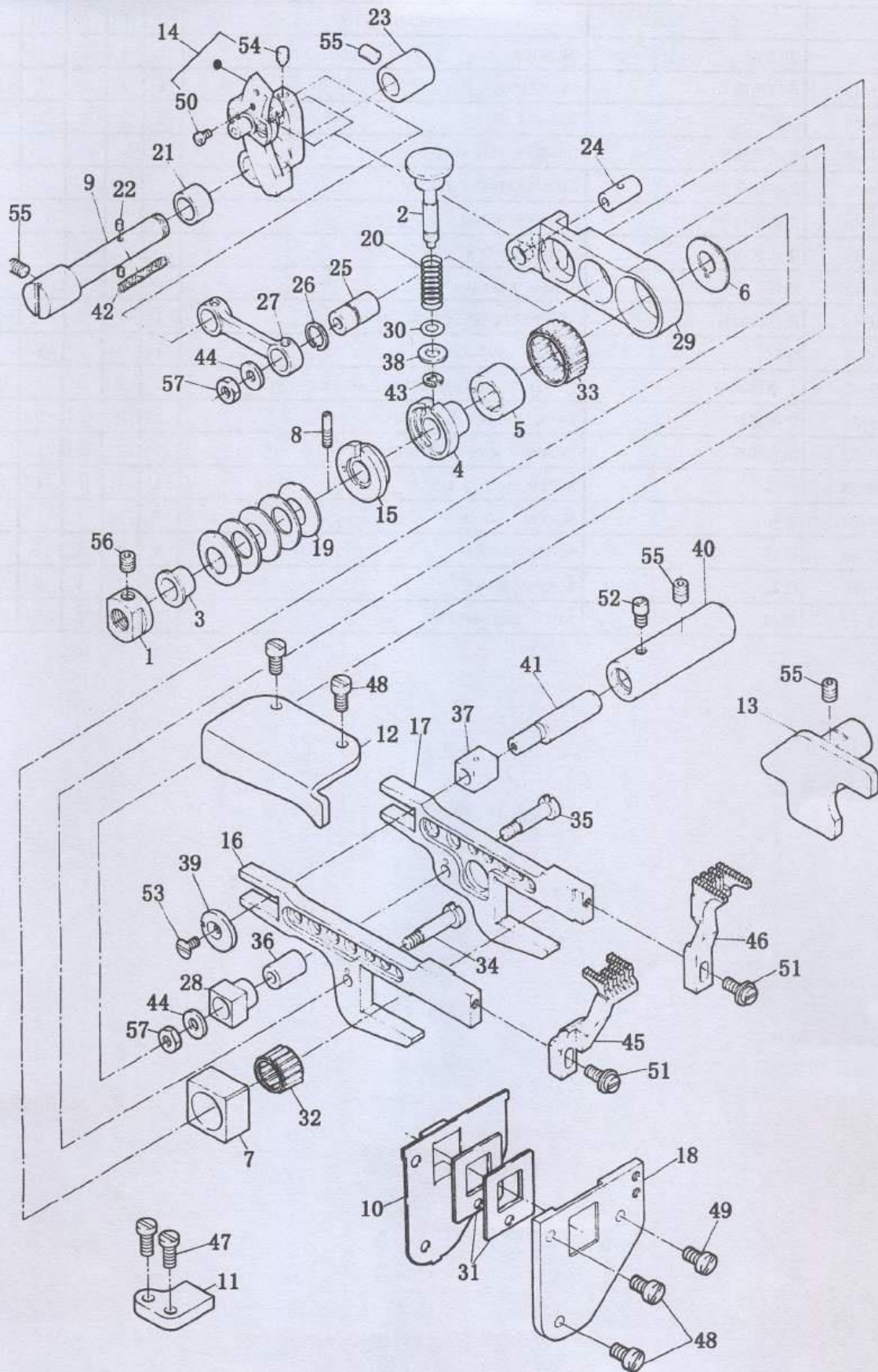
9. 送布部件 MAIN FEEN MECHANISM COMPONENTS



九、送布部件 MAIN FEED MECHANISM COMPONENTS

| 序号 | 图号        | 名称       | DESIGNATION                       | -01 | -02 | -03 | -04 | -05 | -02HY |
|----|-----------|----------|-----------------------------------|-----|-----|-----|-----|-----|-------|
| 1  | 301.09-01 | 凸轮螺母     | CAM NUT                           | 1   | 1   | 1   | 1   | 1   | 1     |
| 2  | 301.09-02 | 针距按钮     | NEEDLE DISTANCE BUTTON            | 1   | 1   | 1   | 1   | 1   | 1     |
| 3  | 301.09-03 | 台阶套      | LADDER BUSHING                    | 1   | 1   | 1   | 1   | 1   | 1     |
| 4  | 301.09-04 | 送布调节凸轮   | FEED DOG REGULATOR CAM            | 1   | 1   | 1   | 1   | 1   | 1     |
| 5  | 301.09-05 | 凸轮       | CAM                               | 1   | 1   | 1   | 1   | 1   | 1     |
| 6  | 301.09-06 | 送布连杆垫圈   | FEED DOG LINK LEVER WASHER        | 1   | 1   | 1   | 1   | 1   | 1     |
| 7  | 301.09-07 | 牙架前滑块    | FEED RACK FRONT SLIDE BLOCK       | 1   | 1   | 1   | 1   | 1   | 1     |
| 8  | 301.09-08 | 销螺钉      | PIN SCREW M3                      | 1   | 1   | 1   | 1   | 1   | 1     |
| 9  | 301.09-09 | 差动器轴     | DIFFERENTIAL FEED SHAFT           | 1   | 1   | 1   | 1   | 1   | 1     |
| 10 | 301.09-10 | 垫板       | WASHER                            | 1   | 1   | 1   | 1   | 1   | 1     |
| 11 | 301.09-11 | 左限位板     | LEFT STOPPER PLATE                | 1   | 1   | 1   | 1   | 1   | 1     |
| 12 | 301.09-12 | 牙架上限位板   | FEED RACK UPPER STOPPER PLATE     | 1   | 1   | 1   | 1   | 1   | 1     |
| 13 | 301.09-13 | 牙架右限位板   | FEED RACK RIGHT STOPPER PLATE     | 1   | 1   | 1   | 1   | 1   | 1     |
| 14 | 301.09-14 | 差动器组件    | DIFFERENTIAL FEED ASSEMBLY.       | 1   | 1   | 1   | 1   | 1   | 1     |
| 15 | 301.09-15 | 针距调节套    | NEEDLE DISTANCE REGULATOR BUSHING | 1   | 1   | 1   | 1   | 1   | 1     |
| 16 | 301.09-16 | 差动牙架     | DIFFERENTIAL FEED RACK            | 1   | 1   | 1   | 1   | 1   | 1     |
| 17 | 301.09-17 | 送布牙架     | FEED DOG RACK                     | 1   | 1   | 1   | 1   | 1   | 1     |
| 18 | 301.09-18 | 弯针盖      | LOOPER COVER                      | 1   | 1   | 1   | 1   |     | 1     |
| 19 | 301.09-19 | 蝶形弹簧圈    | WAVE WASHER                       | 5   | 5   | 5   | 5   | 5   | 5     |
| 20 | 301.09-20 | 针距按钮簧    | NEEDLE DISTANCE BUTTON SPRING     | 1   | 1   | 1   | 1   | 1   | 1     |
| 21 | 301.09-21 | 差动器隔套    | DIFFERENTIAL FEED SPACER          | 1   | 1   | 1   | 1   | 1   | 1     |
| 22 | 301.09-22 | 油线       | OIL WICK                          | 1   | 1   | 1   | 1   | 1   | 1     |
| 23 | 301.09-23 | 差动器轴套    | DIFFERENTIAL FEED BUSHING         | 1   | 1   | 1   | 1   | 1   | 1     |
| 24 | 301.09-24 | 送布连杆销    | FEED DOG LINK LEVER PIN           | 1   | 1   | 1   | 1   | 1   | 1     |
| 25 | 301.09-25 | 送布连杆销    | FEED DOG LINK LEVER PIN           | 1   | 1   | 1   | 1   | 1   | 1     |
| 26 | 301.09-26 | 开口挡圈     | SNAP RING                         | 1   | 1   | 1   | 1   | 1   | 1     |
| 27 | 301.09-27 | 差动送布连杆   | DIFFERENTIAL FEED LINK LEVER      | 1   | 1   | 1   | 1   | 1   | 1     |
| 28 | 301.09-28 | 送布滑块     | FEED DOG SLIDE BLOCK              | 1   | 1   | 1   | 1   | 1   | 1     |
| 29 | 301.09-29 | 送布连杆     | FEED DOG LINK LEVER               | 1   | 1   | 1   | 1   | 1   | 1     |
| 30 | 301.09-30 | O型圈      | O-RING                            | 1   | 1   | 1   | 1   | 1   | 1     |
| 31 | 301.09-31 | 胶垫片      | RUBBER WASHER                     | 2   | 2   | 2   | 2   | 2   | 2     |
| 32 | 301.09-32 | 滚针轴承     | NEEDLE BEARING                    | 1   | 1   | 1   | 1   | 1   | 1     |
| 33 | 301.09-33 | 滚针轴承     | NEEDLE BEARING                    | 1   | 1   | 1   | 1   | 1   | 1     |
| 34 | 301.09-34 | 连接螺钉     | CONNECTION SCREW SM11/64"×40      | 1   | 1   | 1   | 1   | 1   | 1     |
| 35 | 301.09-35 | 送布滑块连接螺钉 | CONNECTION SCREW SM11/64"×40      | 1   | 1   | 1   | 1   | 1   | 1     |
| 36 | 301.09-36 | 送布滑块套    | FEED DOG SLIDE BLOCK BUSHING      | 1   | 1   | 1   | 1   | 1   | 1     |
| 37 | 301.09-37 | 牙架后滑块    | FEED DOG RACK BACK SLIDE BLOCK    | 1   | 1   | 1   | 1   | 1   | 1     |
| 38 | 301.09-38 | 垫圈       | WASHER                            | 1   | 1   | 1   | 1   | 1   | 1     |
| 39 | 301.09-39 | 垫圈       | WASHER                            | 1   | 1   | 1   | 1   | 1   | 1     |
| 40 | 301.09-40 | 偏心轴套     | ECCENTRIC BUSHING                 | 1   | 1   | 1   | 1   | 1   | 1     |
| 41 | 301.09-41 | 牙架偏心轴    | ECCENTRIC SHAFT                   | 1   | 1   | 1   | 1   | 1   | 1     |

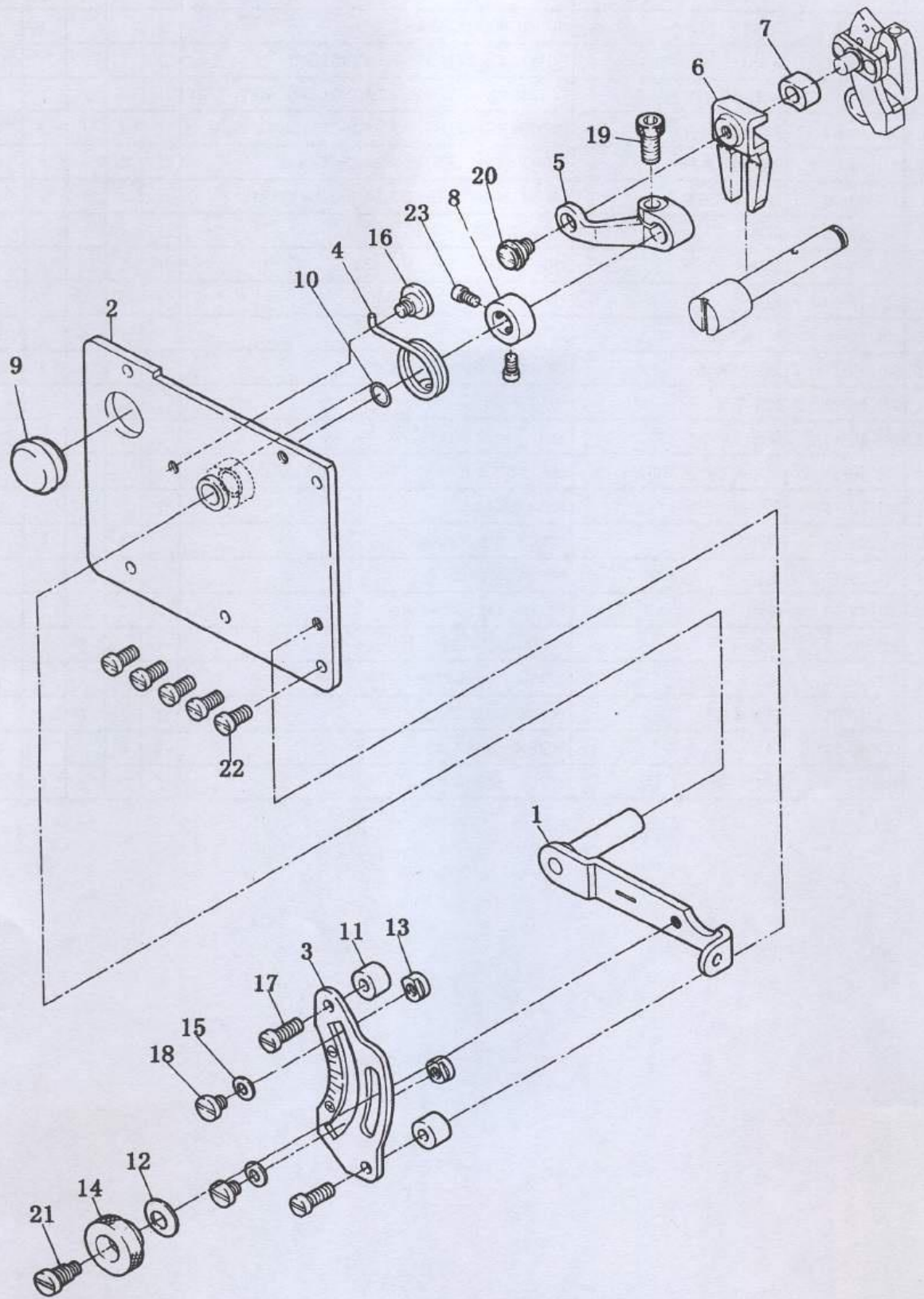
9. 送布部件 MAIN FEED MECHANISM COMPONENTS



| 九、送布部件 MAIN FEED MECHANISM COMPONENTS |           |       |                               |     |     |     |     |     |       |
|---------------------------------------|-----------|-------|-------------------------------|-----|-----|-----|-----|-----|-------|
| 序号                                    | 图号        | 名称    | DESIGNATION                   | -01 | -02 | -03 | -04 | -05 | -02HY |
| 42                                    | 301.09-42 | 油线    | OIL WICK                      | 1   | 1   | 1   | 1   | 1   | 1     |
| 43                                    | 301.09-43 | 开口挡圈  | SNAP RING                     | 1   | 1   | 1   | 1   | 1   | 1     |
| 44                                    | 301.09-44 | 垫片    | WASHER                        | 2   | 2   | 2   | 2   | 2   | 2     |
| 45                                    | 301.09-45 | 差动送布牙 | DIFFERENTIAL FEED DOG         | 1   |     |     |     |     |       |
|                                       | 311.09-45 | 差动送布牙 | DIFFERENTIAL FEED DOG         |     |     |     |     | 1   |       |
| 46                                    | 301.09-46 | 主动送布牙 | MAIN FEED DOG                 | 1   |     |     |     |     |       |
|                                       | 311.09-46 | 主动送布牙 | MAIN FEED DOG                 |     |     |     |     | 1   |       |
| 47                                    | 301.09-47 | 螺钉    | SCREW M4×10                   | 2   | 2   | 2   | 2   | 2   | 2     |
| 48                                    | 301.09-48 | 限位板螺钉 | STOPPER PLATE SCREW M4×8      | 4   | 4   | 4   | 4   | 4   | 4     |
| 49                                    | 301.09-49 | 螺钉    | SCREW M4×8                    | 1   | 1   | 1   | 1   | 1   | 1     |
| 50                                    | 301.09-50 | 差动器螺钉 | DIFFERENTIALFEED SCREW M2.5×4 | 2   | 2   | 2   | 2   | 2   | 2     |
| 51                                    | 301.09-51 | 牙架螺钉  | RACK SCREW SM9/64"×40         | 2   | 2   | 2   | 2   | 2   | 2     |
| 52                                    | 301.09-52 | 轴套螺钉  | BUSHING SCREW SM11/64"×40×6   | 1   | 1   | 1   | 1   | 1   | 1     |
| 53                                    | 301.09-53 | 螺钉    | SCREW SM1/8×44"×5             | 1   | 1   | 1   | 1   | 1   | 1     |
| 54                                    | 301.09-54 | 螺钉    | SCREW M4×5                    | 1   | 1   | 1   | 1   | 1   | 1     |
| 55                                    | 301.09-55 | 螺钉    | SCREW M5×6                    | 4   | 4   | 4   | 4   | 4   | 4     |
| 56                                    | 301.09-56 | 螺钉    | SCREW M5×5                    | 1   | 1   | 1   | 1   | 1   | 1     |
| 57                                    | 301.09-57 | 螺母    | NUT SM11/64"×40               | 2   | 2   | 2   | 2   | 2   | 2     |

10. 差动部件

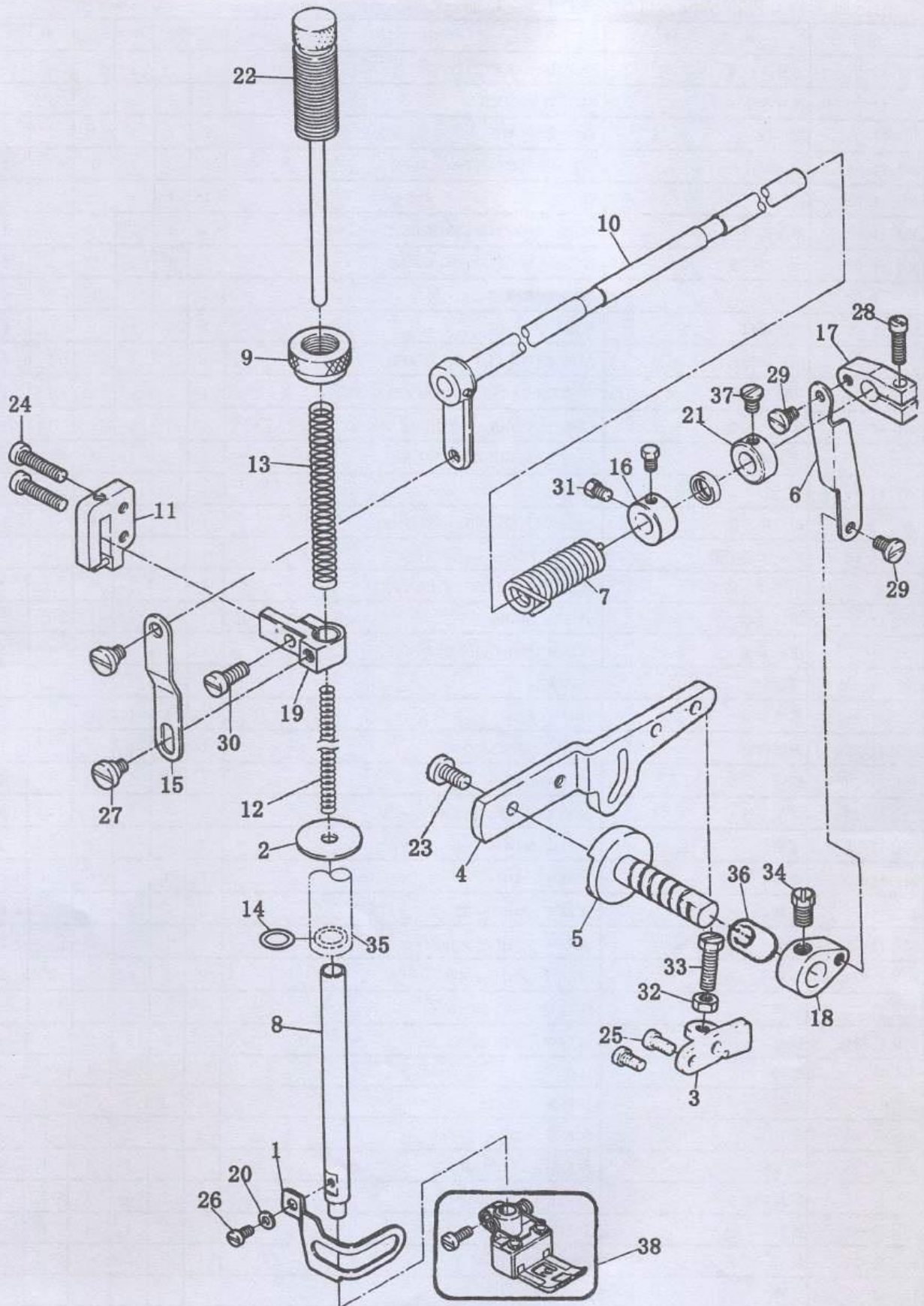
DIFFERENTIAL FEED MECHANISM COMPONENTS





| 十、差动部件 DIFFERENTIAL FEED MECHANISM COMPONENTS |           |          |                                               |     |     |     |     |     |       |
|-----------------------------------------------|-----------|----------|-----------------------------------------------|-----|-----|-----|-----|-----|-------|
| 序号                                            | 图号        | 名称       | DESIGNATION                                   | -01 | -02 | -03 | -04 | -05 | -02HY |
| 1                                             | 301.10-01 | 调节杆(组件)  | ADJUSTING ROD ASM.                            | 1   | 1   | 1   | 1   | 1   | 1     |
| 2                                             | 301.10-02 | 差动调节板    | DIFFERENTIAL FEED REGULATING PLATE            | 1   | 1   | 1   | 1   | 1   | 1     |
| 3                                             | 301.10-03 | 差动调节刻度板  | DIFFERENTIAL FEED REGULATING GRADUATION PLATE | 1   | 1   | 1   | 1   | 1   | 1     |
| 4                                             | 301.10-04 | 差动调节复位弹簧 | DIFFERENTIAL FEED REGULATING RETURN SPRING    | 1   | 1   | 1   | 1   | 1   | 1     |
| 5                                             | 301.10-05 | 差动调节曲柄   | DIFFERENTIAL FEED REGULATING CRANK            | 1   | 1   | 1   | 1   | 1   | 1     |
| 6                                             | 301.10-06 | 差动调节吊板   | DIFFERENTIAL FEED REGULATING FORK PLATE       | 1   | 1   | 1   | 1   | 1   | 1     |
| 7                                             | 301.10-07 | 滑块       | SLIDE BLOCK                                   | 1   | 1   | 1   | 1   | 1   | 1     |
| 8                                             | 301.10-08 | 差动板手紧圈   | THRUST RING                                   | 1   | 1   | 1   | 1   | 1   | 1     |
| 9                                             | 301.10-09 | 闷头       | PLUG                                          | 1   | 1   | 1   | 1   | 1   | 1     |
| 10                                            | 301.10-10 | O型密封圈    | RUBBER RING                                   | 1   | 1   | 1   | 1   | 1   | 1     |
| 11                                            | 301.10-11 | 刻度板隔套    | GRADUATION PLATE SPACER                       | 2   | 2   | 2   | 2   | 2   | 2     |
| 12                                            | 301.10-12 | 蝶形垫圈     | WAVE WASHER                                   | 1   | 1   | 1   | 1   | 1   | 1     |
| 13                                            | 301.10-13 | 螺母(专用)   | NUT                                           | 2   | 2   | 2   | 2   | 2   | 2     |
| 14                                            | 301.10-14 | 差动调节锁紧螺母 | LOCKNUT                                       | 1   | 1   | 1   | 1   | 1   | 1     |
| 15                                            | 301.10-15 | 平垫圈      | WAVE WASHER                                   | 2   | 2   | 2   | 2   | 2   | 2     |
| 16                                            | 301.10-16 | 螺钉       | SCREW SM11/64"×40                             | 1   | 1   | 1   | 1   | 1   | 1     |
| 17                                            | 301.10-17 | 螺钉       | SCREW M4×12                                   | 2   | 2   | 2   | 2   | 2   | 2     |
| 18                                            | 301.10-18 | 螺钉       | SCREW SM11/64"×40×6                           | 2   | 2   | 2   | 2   | 2   | 2     |
| 19                                            | 301.10-19 | 螺钉       | SCREW M5×12                                   | 1   | 1   | 1   | 1   | 1   | 1     |
| 20                                            | 301.10-20 | 螺钉       | SCREW SM11/64"×40                             | 1   | 1   | 1   | 1   | 1   | 1     |
| 21                                            | 301.10-21 | 锁紧螺钉     | SCREW SM7/32"×32                              | 1   | 1   | 1   | 1   | 1   | 1     |
| 22                                            | 301.10-22 | 螺钉       | SCREW M4×8                                    | 5   | 5   | 5   | 5   | 5   | 5     |
| 23                                            | 301.10-23 | 螺钉       | SCREW SM9/64"×40×6                            | 2   | 2   | 2   | 2   | 2   | 2     |

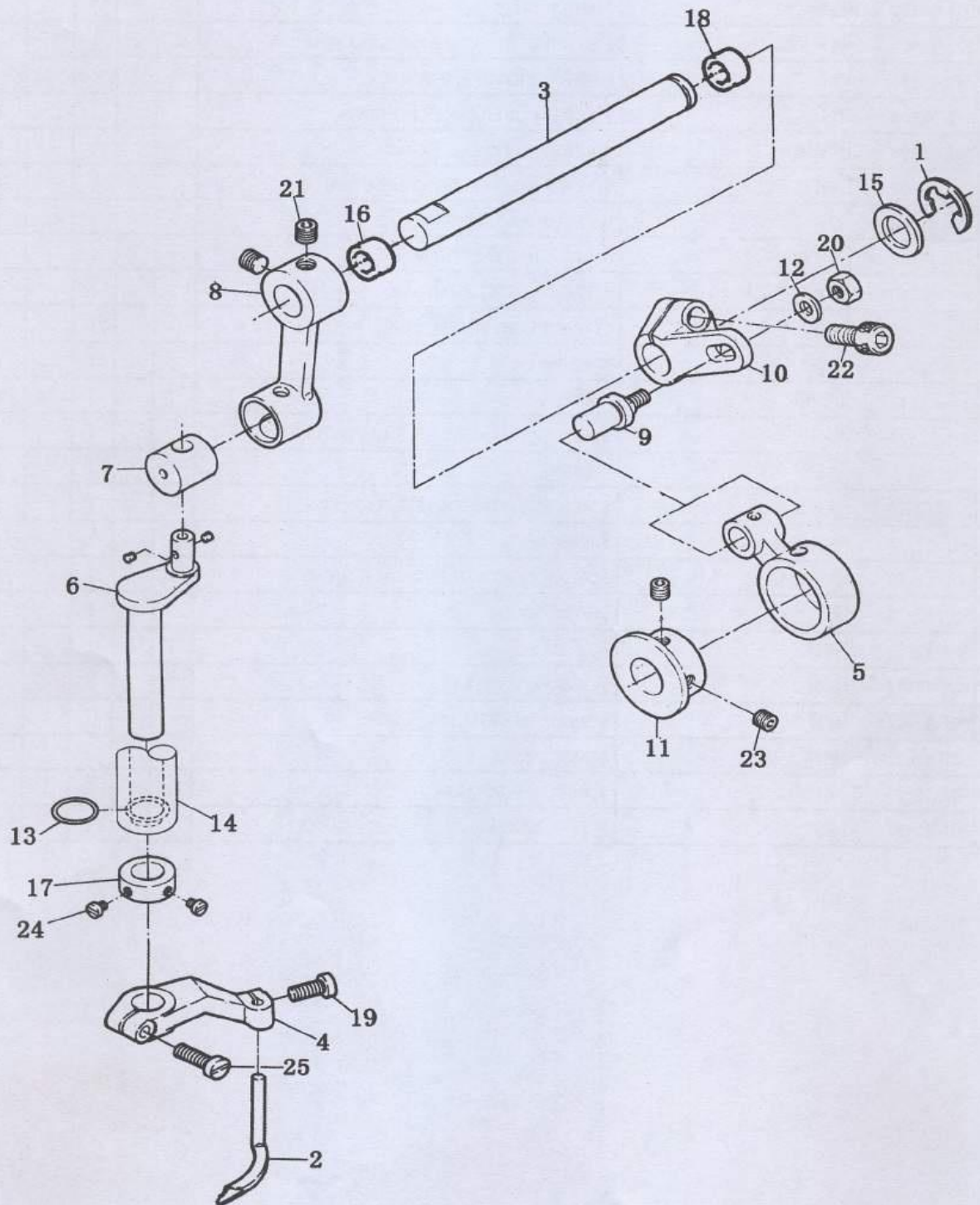
11. 抬压脚部件 PRESSER FOOT LIFTER COMPONENTS



| 十一、抬压脚部件 PREESSER FOOT LIFTER COMPONENTS |           |        |                                 |     |     |     |     |     |       |
|------------------------------------------|-----------|--------|---------------------------------|-----|-----|-----|-----|-----|-------|
| 序号                                       | 图号        | 名称     | DESIGNATION                     | -01 | -02 | -03 | -04 | -05 | -02HY |
| 1                                        | 301.11-01 | 压紧防护罩  | PRESSER BAR SHIELD              | 1   | 1   | 1   |     |     |       |
| 2                                        | 301.11-02 | 压紧杆防油罩 | RUBBER WASHER                   | 1   | 1   | 1   | 1   | 1   | 1     |
| 3                                        | 301.11-03 | 限位板    | STOPPER PLATE                   | 1   | 1   | 1   | 1   | 1   | 1     |
| 4                                        | 301.11-04 | 抬压脚拉杆  | PRESSER FOOT LIFTING LEVER      | 1   | 1   | 1   | 1   | 1   | 1     |
| 5                                        | 301.11-05 | 拉杆座    | LEVER BASE                      | 1   | 1   | 1   | 1   | 1   | 1     |
| 6                                        | 301.11-06 | 抬压脚吊杆  | PRESSER FOOT LIFTING STEEVE     | 1   | 1   | 1   | 1   | 1   | 1     |
| 7                                        | 301.11-07 | 抬压脚弹簧  | PRESSER FOOT LIFTING SPRING     | 1   | 1   | 1   | 1   | 1   | 1     |
| 8                                        | 301.11-08 | 压紧杆    | PRESSER BAR                     | 1   | 1   | 1   | 1   | 1   | 1     |
| 9                                        | 301.11-09 | 调压螺母   | ADJUSTING NUT                   | 1   | 1   | 1   | 1   | 1   | 1     |
| 10                                       | 301.11-10 | 抬压脚轴组件 | PRESSER FOOT LIFTING SHAFT      | 1   | 1   | 1   | 1   | 1   | 1     |
| 11                                       | 301.11-11 | 压杆导架座  | PRESSER BAR GUIDE BRACKET BASE  | 1   | 1   | 1   | 1   | 1   | 1     |
| 12                                       | 301.11-12 | 调压内弹簧  | PRESSER REGULATING INNER SPRING | 1   | 1   | 1   | 1   | 1   | 1     |
| 13                                       | 301.11-13 | 调压弹簧   | PRESSER REGULATING SPRING       | 1   | 1   | 1   | 1   | 1   | 1     |
| 14                                       | 301.11-14 | O型圈    | O-RING                          | 1   | 1   | 1   | 1   | 1   | 1     |
| 15                                       | 301.11-15 | 抬压脚吊板  | PRESSER FOOT LIFTING STEEVE     | 1   | 1   | 1   | 1   | 1   | 1     |
| 16                                       | 301.11-16 | 抬压脚轴紧圈 | THRUST RING                     | 1   | 1   | 1   | 1   | 1   | 1     |
| 17                                       | 301.11-17 | 抬压脚曲柄  | PRESSER FOOT LIFTING CRANK      | 1   | 1   | 1   | 1   | 1   | 1     |
| 18                                       | 301.11-18 | 吊杆曲柄   | STEEVE CRANK                    | 1   | 1   | 1   | 1   | 1   | 1     |
| 19                                       | 301.11-19 | 压杆导架   | PRESSER BAR GUIDE BRACKET       | 1   | 1   | 1   | 1   | 1   | 1     |
| 20                                       | 301.11-20 | 垫圈     | WASHER                          | 1   | 1   | 1   | 1   | 1   |       |
| 21                                       | 301.11-21 | 限位紧圈   | THRUST RING                     | 1   | 1   | 1   | 1   | 1   | 1     |
| 22                                       | 301.11-22 | 调压螺钉   | ADJUSTING SCREW                 | 1   | 1   | 1   | 1   | 1   | 1     |
| 23                                       | 301.11-23 | 螺钉     | SCREW M5×10                     | 1   | 1   | 1   | 1   | 1   | 1     |
| 24                                       | 301.11-24 | 导架座螺钉  | BRACKET BASE SCREW M4×20        | 2   | 2   | 2   | 2   | 2   | 2     |
| 25                                       | 301.11-25 | 螺钉     | SCREW M4×8                      | 2   | 2   | 2   | 2   | 2   | 2     |
| 26                                       | 301.11-26 | 螺钉     | SCREW M3×6                      | 1   | 1   | 1   | 1   | 1   |       |
| 27                                       | 301.11-27 | 螺钉     | SCREW SM3/16×32                 | 2   | 2   | 2   | 2   | 2   | 2     |
| 28                                       | 301.11-28 | 螺钉     | SCREW SM11/64"×40×14            | 1   | 1   | 1   | 1   | 1   | 1     |
| 29                                       | 301.11-29 | 螺钉     | SCREW SM11/64"×40               | 2   | 2   | 2   | 2   | 2   | 2     |
| 30                                       | 301.11-30 | 螺钉     | SCREW SM11/64"×40×12            | 1   | 1   | 1   | 1   | 1   | 1     |
| 31                                       | 301.11-31 | 螺钉     | SCREW SM11/64"×40×6             | 2   | 2   | 2   | 2   | 2   | 2     |
| 32                                       | 301.11-32 | 螺母     | NUT M5                          | 1   | 1   | 1   | 1   | 1   | 1     |
| 33                                       | 301.11-33 | 螺钉     | SCREW M5×25                     | 1   | 1   | 1   | 1   | 1   | 1     |
| 34                                       | 301.11-34 | 螺钉     | SCREW SM1/4"×40×9               | 1   | 1   | 1   | 1   | 1   | 1     |
| 35                                       | 301.11-35 | 压紧杆套   | PRESSER BAR BUSHING             | 1   | 1   | 1   | 1   | 1   | 1     |
| 36                                       | 301.11-36 | 拉杆座套   | LEVER BASE BUSHING              | 1   | 1   | 1   | 1   | 1   | 1     |
| 37                                       | 301.11-37 | 螺钉     | SCREW SM11/64"×40×6             | 1   | 1   | 1   | 1   | 1   | 1     |
| 38                                       | 301.11-38 | 压脚(组件) | PRESSER FOOT                    | 1   |     |     |     |     |       |
|                                          | 311.11-38 | 压脚     | PRESSER FOOT                    |     |     |     |     | 1   |       |

12. 绷针部件

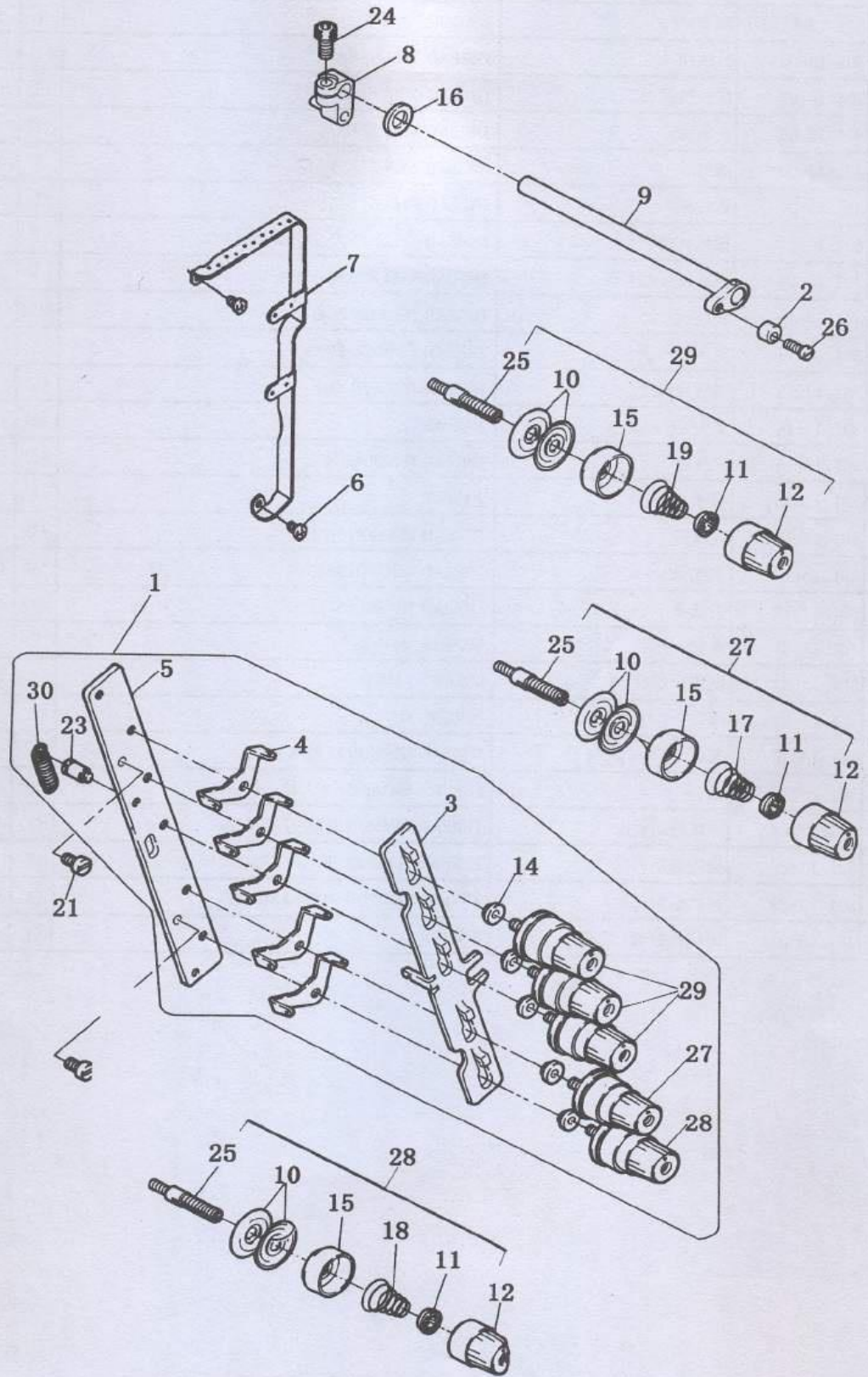
STRETCH NEEDLE COMPONENTS



| 十二、绷针部件 STRETCH NEEDLE COMPONENTS |           |        |                                      |     |     |     |     |     |       |
|-----------------------------------|-----------|--------|--------------------------------------|-----|-----|-----|-----|-----|-------|
| 序号                                | 图号        | 名称     | DESIGNATION                          | -01 | -02 | -03 | -04 | -05 | -02HY |
| 1                                 | 301.12-01 | 开口挡圈   | SNAP RING                            | 1   | 1   | 1   |     | 1   |       |
| 2                                 | 301.12-02 | 绷针     | STRETCH TIGHT NEEDLE                 | 1   | 1   | 1   |     | 1   |       |
| 3                                 | 301.12-03 | 绷针横轴   | STRETCH TIGHT NEEDLE CROSSING SHAFT  | 1   | 1   | 1   |     | 1   |       |
| 4                                 | 301.12-04 | 绷针下摆杆  | LOWER OSCILLATING BAR                | 1   | 1   | 1   |     | 1   |       |
| 5                                 | 301.12-05 | 绷针连杆   | STRETCH TIGHT NEEDLE LINK LEVER      | 1   | 1   | 1   |     | 1   |       |
| 6                                 | 301.12-06 | 绷针曲柄   | STRETCH TIGHT NEEDLE CRANK           | 1   | 1   | 1   |     | 1   |       |
| 7                                 | 301.12-07 | 绷针连接柱  | STRETCH TIGHT NEEDLE CONNECTING POLE | 1   | 1   | 1   |     | 1   |       |
| 8                                 | 301.12-08 | 绷针上摆杆  | UPPER OSCILLATING BAR                | 1   | 1   | 1   |     | 1   |       |
| 9                                 | 301.12-09 | 摆杆螺钉   | OSCILLATING BAR SCREW                | 1   | 1   | 1   |     | 1   |       |
| 10                                | 301.12-10 | 绷针调节摆杆 | REGULATE OSCILLATING BAR             | 1   | 1   | 1   |     | 1   |       |
| 11                                | 301.12-11 | 绷针凸轮   | STRETCH TIGHT NEEDLE CAM             | 1   | 1   | 1   |     | 1   |       |
| 12                                | 301.12-12 | 垫圈     | WASHER                               | 1   | 1   | 1   |     | 1   |       |
| 13                                | 301.12-13 | O型圈    | O-RING                               | 1   | 1   | 1   |     | 1   |       |
| 14                                | 301.12-14 | 绷针竖套   | STRETCH TIGHT NEEDLE UPRIGHT BUSHING | 1   | 1   | 1   |     | 1   | 1     |
| 15                                | 301.12-15 | 垫圈     | WASHER                               | 1   | 1   | 1   |     | 1   |       |
| 16                                | 301.12-16 | 绷针左套   | STRETCH TIGHT NEEDLE LEFT BUSHING    | 1   | 1   | 1   |     | 1   |       |
| 17                                | 301.12-17 | 绷针紧圈   | THRUST RING                          | 1   | 1   | 1   |     | 1   |       |
| 18                                | 301.12-18 | 绷针右套   | STRETCH TIGHT NEEDLE RIGHT BUSHING   | 1   | 1   | 1   |     | 1   |       |
| 19                                | 301.12-19 | 螺钉     | SCREW M4×10                          | 1   | 1   | 1   |     | 1   |       |
| 20                                | 301.12-20 | 螺母     | NUT M5                               | 1   | 1   | 1   |     | 1   |       |
| 21                                | 301.12-21 | 螺钉     | SCREW M6×0.75×6                      | 2   | 2   | 2   |     | 2   |       |
| 22                                | 301.12-22 | 螺钉     | SCREW M6×0.75×14                     | 1   | 1   | 1   |     | 1   |       |
| 23                                | 301.12-23 | 螺钉     | SCREW M5×5                           | 2   | 2   | 2   |     | 2   |       |
| 24                                | 301.12-24 | 螺钉     | SCREW SM1/8"×44×4                    | 2   | 2   | 2   |     | 2   |       |
| 25                                | 301.12-27 | 螺钉     | SCREW M4×14                          | 1   | 1   | 1   |     | 1   |       |

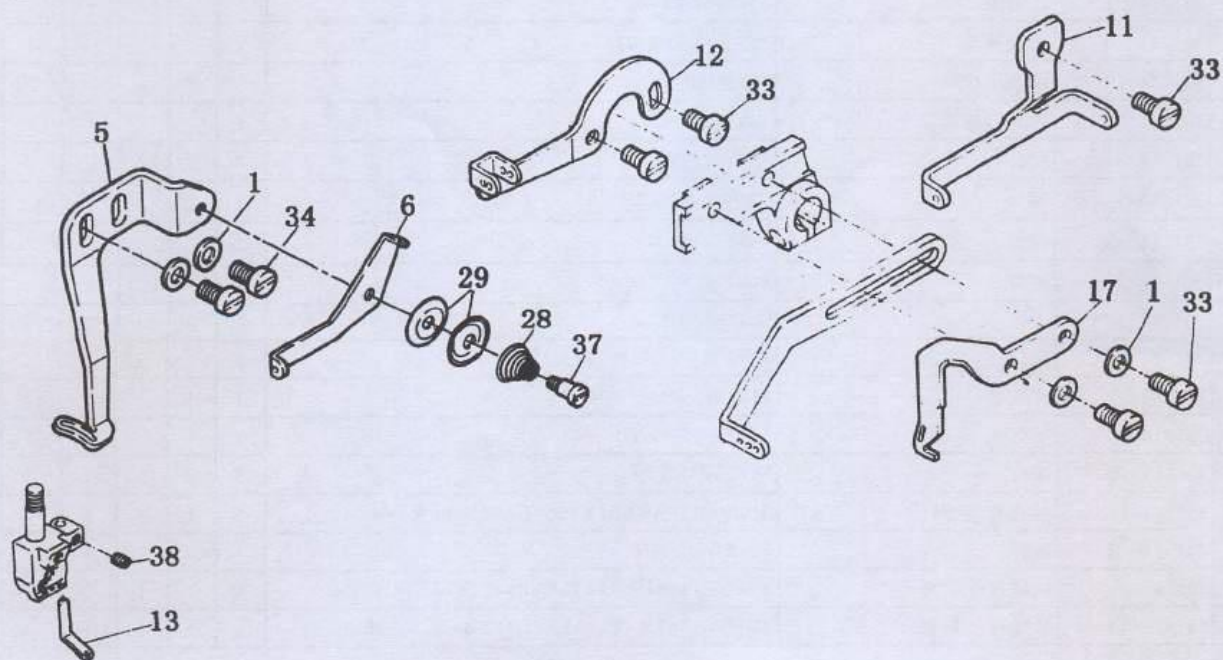
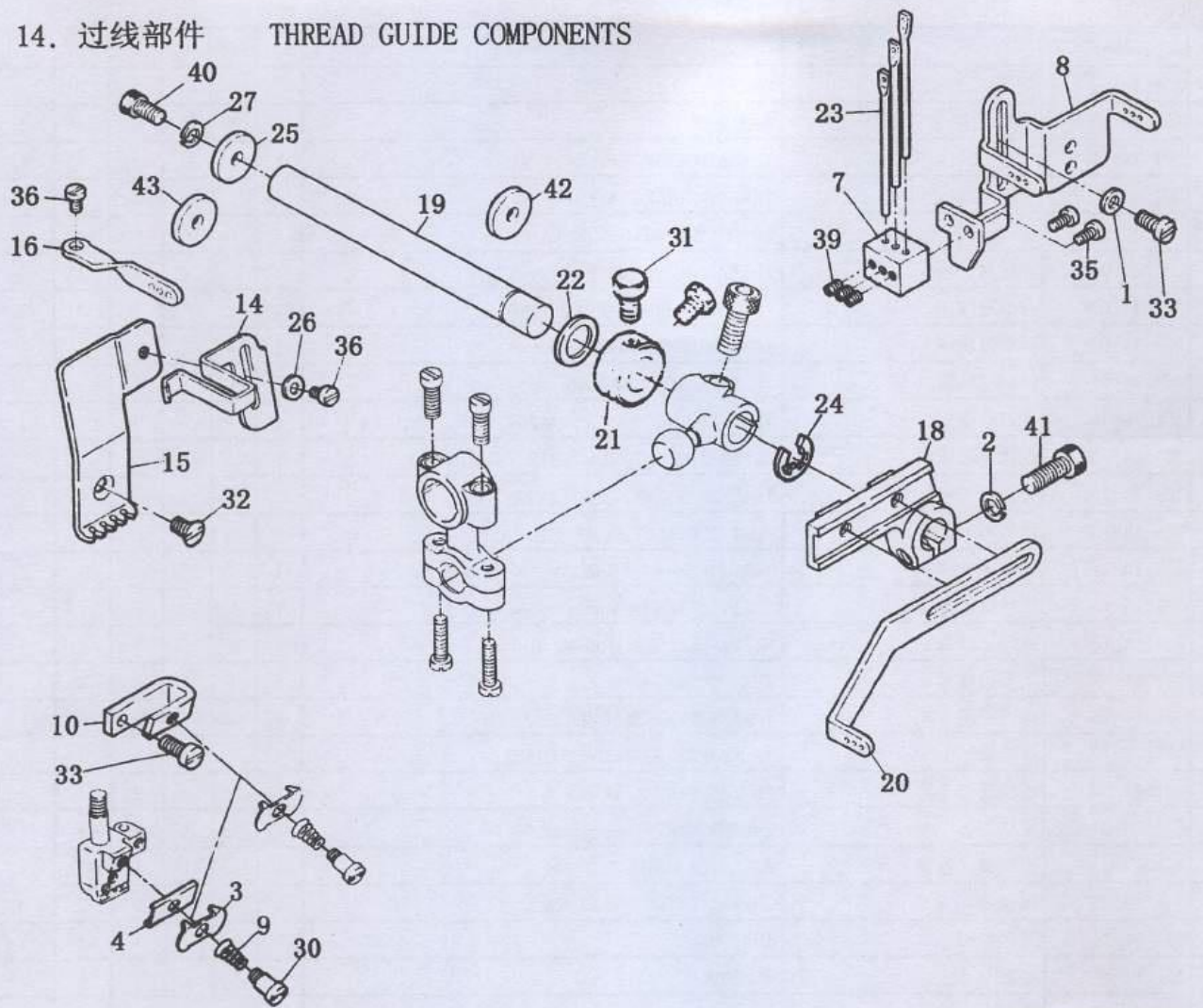
13. 过线器部件

THREAD GUIDE MECHANISM COMPONENTS



| 十三、过线器部件 THREAD GUIDE MECHANISM COMPONENTS |           |         |                                |      |      |      |     |      |       |
|--------------------------------------------|-----------|---------|--------------------------------|------|------|------|-----|------|-------|
| 序号                                         | 图号        | 名称      | DESIGNATION                    | -01  | -02  | -03  | -04 | -05  | -02HY |
| 1                                          | 301.13-30 | 夹线器大组件  | THREAD TENSION SPRING ARM.     | 1    | 1    | 1    |     | 1    | 1     |
| 2                                          | 301.13-02 | 隔套      | SPACER                         | 1    | 1    | 1    | 1   | 1    | 1     |
| 3                                          | 301.13-03 | 过线座     | THREAD EYELET BASE             | (1)  | (1)  | (1)  | (1) | (1)  | (1)   |
| 4                                          | 301.13-04 | 压线过线板2  | THREAD GUIDE PLATE2            | (5)  | (5)  | (5)  | (4) | (5)  | (5)   |
| 5                                          | 301.13-05 | 挺线板     | THREAD EYELET BASE             | (1)  | (1)  | (1)  | (1) | (1)  | (1)   |
| 6                                          | 301.13-06 | 螺钉      | WASHER M4×5                    | 2    | 2    | 2    | 2   | 2    | 2     |
| 7                                          | 301.13-07 | 过线架     | THREAD EYELET STAND            | 1    | 1    | 1    | 1   | 1    | 1     |
| 8                                          | 301.13-08 | 挺线杆曲柄   | THREAD EYELET BASE SHAFT CRANK | 1    | 1    | 1    | 1   | 1    | 1     |
| 9                                          | 301.13-09 | 挺线杆(组件) | THREAD EYELET BASE SHAFT       | 1    | 1    | 1    | 1   | 1    | 1     |
| 10                                         | 301.13-10 | 夹线板     | THREAD TENSION PLATE           | <10> | <10> | <10> | <8> | <10> | <10>  |
| 11                                         | 301.13-11 | 夹线防松圈   | THREAD TENSION RING            | <5>  | <5>  | <5>  | <4> | <5>  | <5>   |
| 12                                         | 301.13-12 | 夹线螺母    | THREAD TENSION NUT             | <5>  | <5>  | <5>  | <4> | <5>  | <5>   |
| 14                                         | 301.13-14 | 垫圈      | WASHER                         | (5)  | (5)  | (5)  | (4) | (5)  | (5)   |
| 15                                         | 301.13-15 | 夹线座     | THREAD TENSION BASE            | <5>  | <5>  | <5>  | <4> | <5>  | <5>   |
| 16                                         | 301.13-16 | 垫圈      | WASHER                         | 1    | 1    | 1    | 1   | 1    | 1     |
| 17                                         | 301.13-17 | 夹线簧     | THREAD TENSION SPRING          | <1>  | <1>  | <1>  | <1> | <1>  | <1>   |
| 18                                         | 301.13-18 | 夹线簧     | THREAD TENSION SPRING          | <1>  | <1>  | <1>  | <1> | <1>  | <1>   |
| 19                                         | 301.13-19 | 夹线簧     | THREAD TENSION SPRING          | <3>  | <3>  | <3>  | <2> | <3>  | <3>   |
| 21                                         | 301.13-21 | 螺钉      | WASHER M4×8                    | 2    | 2    | 2    | 2   | 2    | 2     |
| 23                                         | 301.13-23 | 挺线板螺钉   | SCREW M4×8                     | (2)  | (2)  | (2)  | (2) | (2)  | (2)   |
| 24                                         | 301.13-24 | 螺钉      | SCREW M5×12                    | 1    | 1    | 1    | 1   | 1    | 1     |
| 25                                         | 301.13-25 | 夹线螺钉    | THREAD TENSION SCREW STUD      | <5>  | <5>  | <5>  | <4> | <5>  | <5>   |
| 26                                         | 301.13-26 | 螺钉      | SCREW SM11/64"×40×12           | 1    | 1    | 1    | 1   | 1    | 1     |
| 27                                         | 301.13-27 | 夹线器组件B  | THREAD TENSION SPRING ARM B    | (1)  | (1)  | (1)  | (1) | (1)  | (1)   |
| 28                                         | 301.13-28 | 夹线器组件C  | THREAD TENSION SPRING ARM C    | (1)  | (1)  | (1)  | (1) | (1)  | (1)   |
| 29                                         | 301.13-29 | 夹线器组件A  | THREAD TENSION SPRING ARM A    | (3)  | (3)  | (3)  | (2) | (3)  | (3)   |
| 30                                         | 301.13-01 | 挺线板拉簧   | SPRING                         | (1)  | (1)  | (1)  | (1) | (1)  | (1)   |

14. 过线部件      THREAD GUIDE COMPONENTS

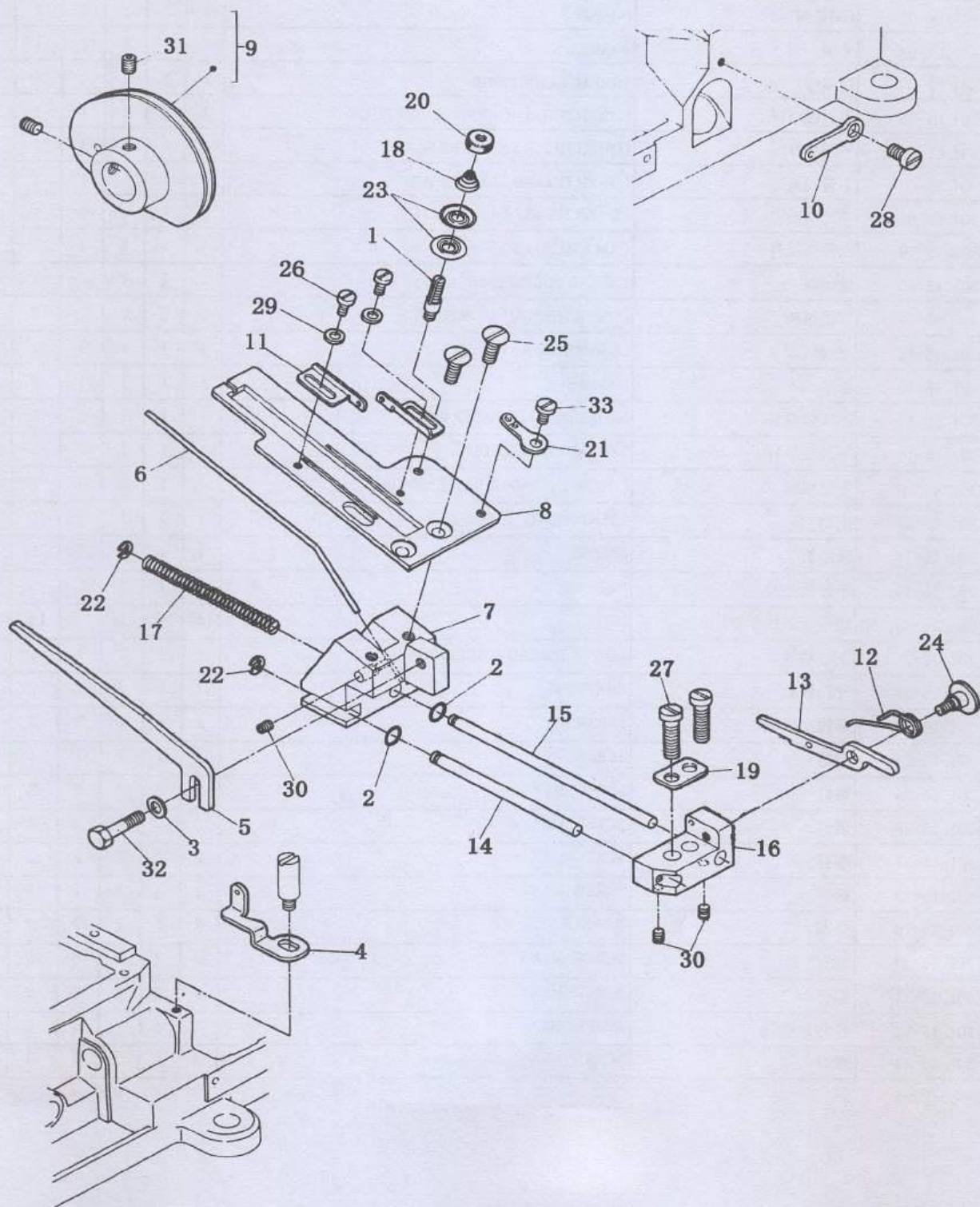




## 十四、过线部件 THREAD GUIDE COMPONENTS

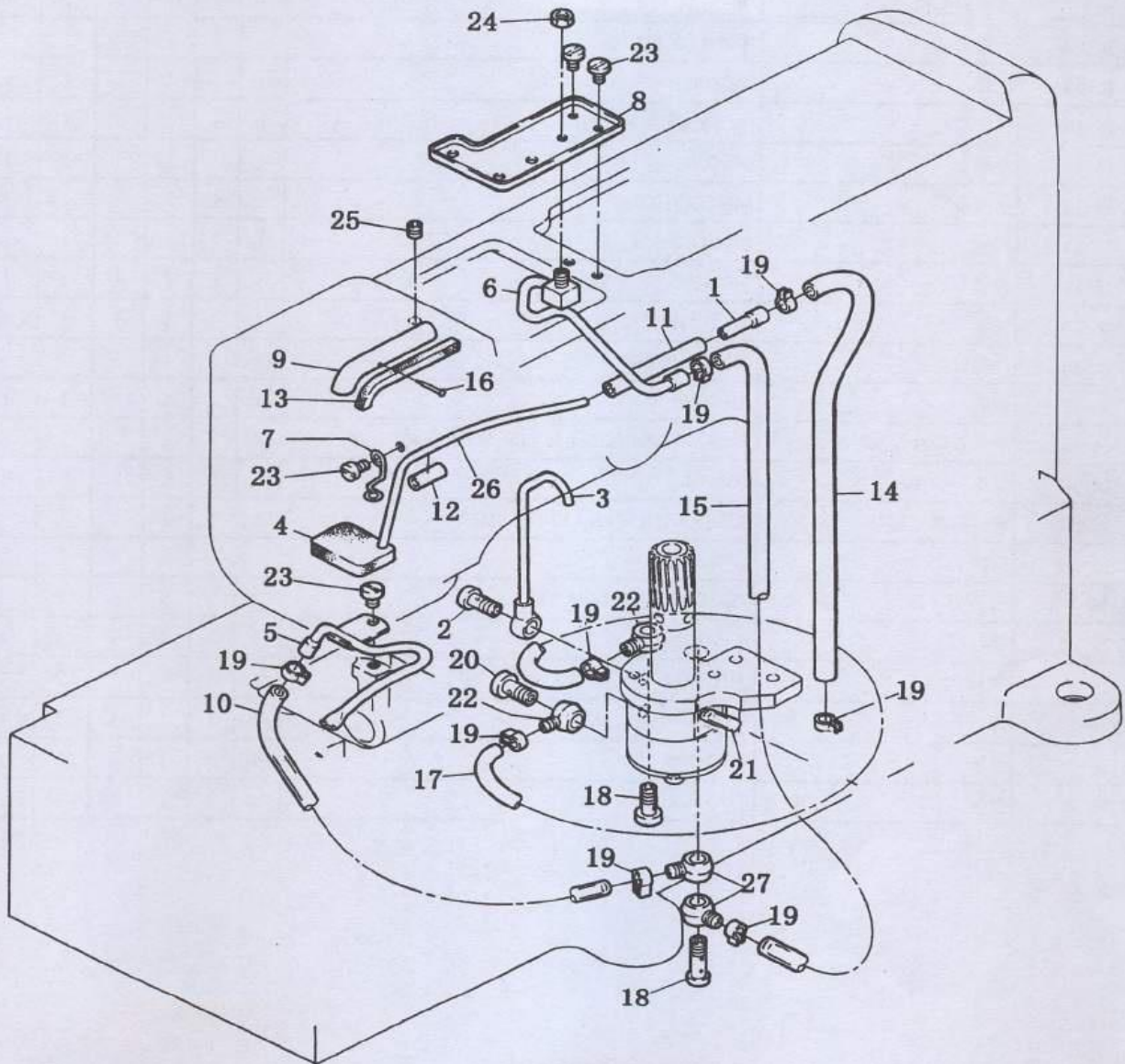
| 序号 | 图号        | 名称       | DESIGNATION                              | -01 | -02 | -03 | -04 | -05 | -02HY |
|----|-----------|----------|------------------------------------------|-----|-----|-----|-----|-----|-------|
| 1  | 301.14-01 | 垫圈       | WASHER                                   | 3   | 3   | 3   | 1   | 3   |       |
| 2  | 301.14-02 | 垫圈       | WASHER                                   | 1   | 1   | 1   | 1   | 1   | 1     |
| 3  | 301.14-03 | 针轧过线压板   | THREAD GUIDE PRESSING PLATE              | 1   | 1   | 1   | 1   | 1   | 1     |
| 4  | 301.14-04 | 针轧过线板    | THREAD GUIDE PLATE                       | 1   | 1   | 1   | 1   | 1   | 1     |
| 5  | 301.14-05 | 绷线过线下过线板 | LOWER THREAD GUIDE PLATE                 | 1   | 1   | 1   |     | 1   |       |
| 6  | 301.14-06 | 绷线过线板    | THREAD GUIDE PLATE                       | 1   | 1   | 1   |     | 1   |       |
| 7  | 301.14-07 | 硅油过线座    | SILICONE THREAD GUIDE BASE               | 1   | 1   | 1   | 1   | 1   | 1     |
| 8  | 301.14-08 | 硅油过线座    | SILICONE THREAD GUIDE BASE               | 1   | 1   | 1   | 1   | 1   | 1     |
| 9  | 301.14-09 | 针轧过线簧    | THREAD EYELET SPRING                     | 1   | 1   | 1   | 1   | 1   | 1     |
| 10 | 301.14-10 | 小过线座     | THREAD GUIDE BASE (SMALL)                | 1   | 1   | 1   | 1   | 1   | 1     |
| 11 | 301.14-11 | 绷针上线板    | UPPER THREAD GUIDE PLATE                 | 1   | 1   | 1   |     | 1   |       |
| 12 | 301.14-12 | 张线杆      | THREAD EYELET GUIDE LEVER                | 1   | 1   | 1   |     | 1   | 1     |
| 13 | 301.14-13 | 针轧右过线杆   | THREAD EYELET RIGHT BAR                  | 1   | 1   | 1   |     | 1   |       |
| 14 | 301.14-14 | 挑线防护罩    | THREAD TAKE-UP SHIELD                    | 1   | 1   | 1   | 1   | 1   | 1     |
| 15 | 301.14-15 | 挑线防护罩座   | THREAD TAKE-UP SHIELD BASE               | 1   | 1   | 1   | 1   | 1   | 1     |
| 16 | 301.14-16 | 针杆上过线    | NEEDLE BAR TOP THREAD GUIDE              | 1   | 1   | 1   | 1   | 1   | 1     |
| 17 | 301.14-17 | 上叉挑线杆    | THREAD TAKE-UP LEVER                     | 1   | 1   | 1   |     | 1   |       |
| 18 | 301.14-18 | 挑线杆座     | THREAD TAKE-UP LEVER BASE                | 1   | 1   | 1   | 1   | 1   | 1     |
| 19 | 301.14-19 | 挑线杆轴     | THREAD TAKE-UP LEVER SHAFT               | 1   | 1   | 1   | 1   | 1   | 1     |
| 20 | 301.14-20 | 挑线杆      | THREAD TAKE-UP LEVER                     | 1   | 1   | 1   | 1   | 1   | 1     |
| 21 | 301.14-21 | 紧圈       | THRUST RING                              | 1   | 1   | 1   | 1   | 1   | 1     |
| 22 | 301.14-22 | 密封圈(骨架)  | AIRPROOF RING                            | 1   | 1   | 1   | 1   | 1   | 1     |
| 23 | 301.14-23 | 挑线钉      | THREAD EYELET GUIDED NAIL                | 3   | 3   | 3   | 2   | 3   | 3     |
| 24 | 301.14-24 | 开口挡圈     | SNAP RING                                | 1   | 1   | 1   | 1   | 1   | 1     |
| 25 | 301.14-25 | 垫圈       | WASHER                                   | 1   | 1   | 1   | 1   | 1   | 1     |
| 26 | 301.14-26 | 垫圈       | WASHER                                   | 1   | 1   | 1   | 1   | 1   | 1     |
| 27 | 301.14-27 | 止退圈      | STOPPER RING                             | 1   | 1   | 1   | 1   | 1   | 1     |
| 28 | 301.14-28 | 压线簧      | PRESSER SPRING                           | 1   | 1   | 1   |     | 1   |       |
| 29 | 301.14-29 | 过线压板     | PRESSER PLATE                            | 2   | 2   | 2   |     | 2   |       |
| 30 | 301.14-30 | 针轧过线螺钉   | SCREW M3                                 | 1   | 1   | 1   | 1   | 1   | 1     |
| 31 | 301.14-31 | 螺钉       | SCREW SM11/64"×40×6                      | 2   | 2   | 2   | 2   | 2   | 2     |
| 32 | 301.14-32 | 螺钉       | SCREW M4×8                               | 1   | 1   | 1   | 1   | 1   | 1     |
| 33 | 301.14-33 | 螺钉       | SCREW M4×8                               | 7   | 7   | 7   | 4   | 7   |       |
| 34 | 301.14-34 | 螺钉       | SCREW M4×8                               | 2   | 2   | 2   |     | 2   |       |
| 35 | 301.14-35 | 螺钉       | SCREW M3×6                               | 2   | 2   | 2   | 2   | 2   | 2     |
| 36 | 301.14-36 | 螺钉       | SCREW M3×5                               | 2   | 2   | 2   | 2   | 2   | 2     |
| 37 | 301.14-37 | 夹线螺钉     | SCREW SM1/8"×44                          | 1   | 1   | 1   |     | 1   |       |
| 38 | 301.14-38 | 螺钉       | SCREW M3×3                               | 1   | 1   | 1   |     | 1   | 1     |
| 39 | 301.14-40 | 螺钉       | SCREW M3×4                               | 3   | 3   | 3   | 2   | 3   | 3     |
| 40 | 301.14-41 | 挑线杆轴螺钉   | THREAD TAKE-UP LEVER SHAFT SCREW M4×8    | 1   | 1   | 1   | 1   | 1   | 1     |
| 41 | 301.14-42 | 螺钉       | SCREW M5×16                              | 1   | 1   | 1   | 1   | 1   | 1     |
| 42 | 301.14-43 | 挑线杆轴前套   | THREAD TAKE-UP LEVER SHAFT FRONT BUSHING | 1   | 1   | 1   | 1   | 1   | 1     |
| 43 | 301.14-44 | 挑线杆轴后套   | THREAD TAKE-UP LEVER SHAFT BACK BUSHING  | 1   | 1   | 1   | 1   | 1   | 1     |

15. 下过线部件 LOWER THREAD TENSION COMPONENTS



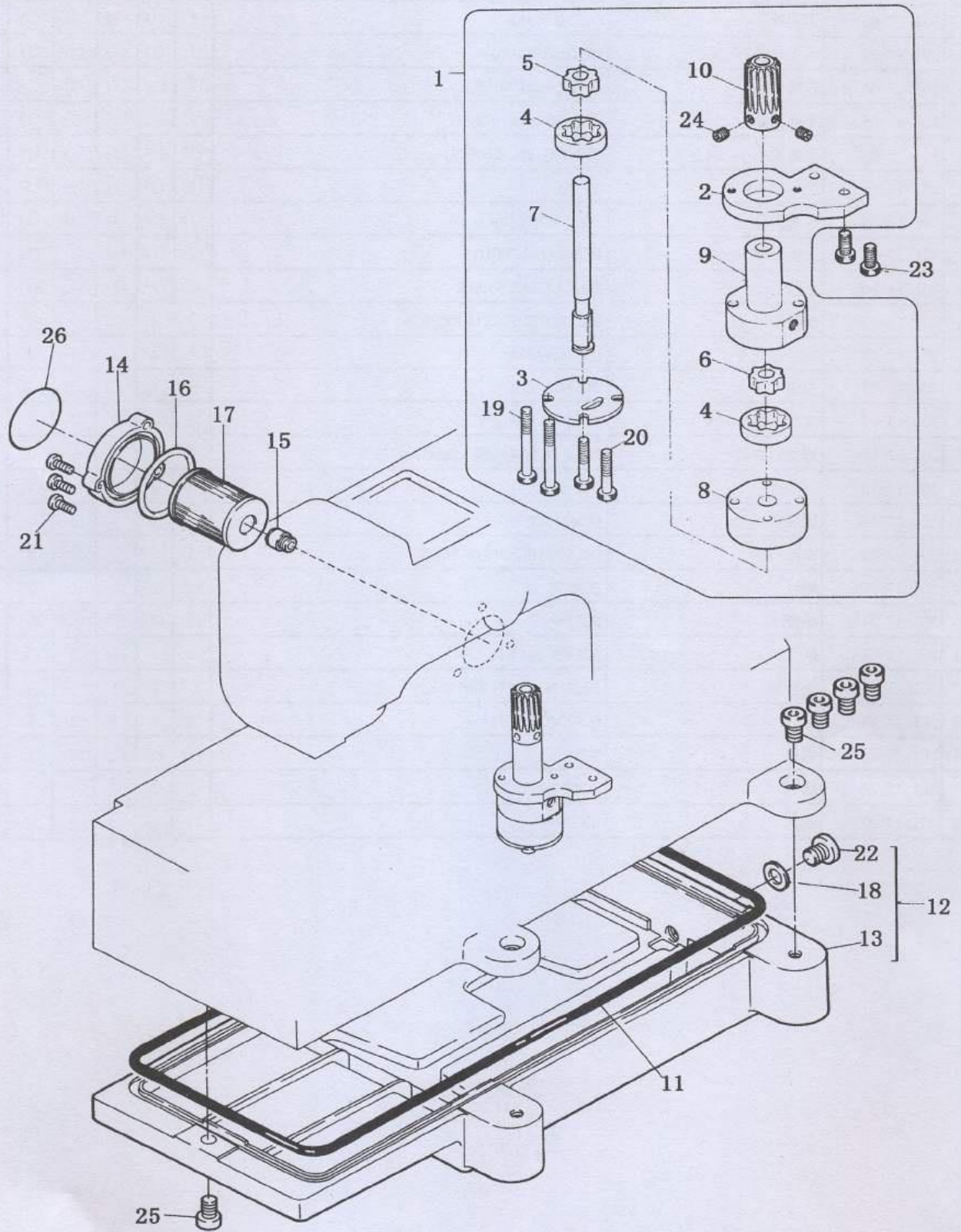
| 十五、下过线部位 |           |           | LOWER THREAD TENSION COMPONENTS  |     |     |     |     |     |       |
|----------|-----------|-----------|----------------------------------|-----|-----|-----|-----|-----|-------|
| 序号       | 图号        | 名称        | DESIGNATION                      | -01 | -02 | -03 | -04 | -05 | -02HY |
| 1        | 301.15-01 | 压线板螺钉     | SCREW                            | 1   | 1   | 1   | 1   | 1   | 1     |
| 2        | 301.15-02 | O型垫圈      | O-RING                           | 2   | 2   | 2   | 2   | 2   | 2     |
| 3        | 301.15-03 | 垫圈        | WASHER                           | 1   | 1   | 1   | 1   | 1   | 1     |
| 4        | 301.15-04 | 过线板       | THREAD GUIDE PLATE               | 1   | 1   | 1   |     | 1   | 1     |
| 5        | 301.15-05 | 下过线压板     | LOWER THREAD GUIDE PRESSER PLATE | 1   | 1   | 1   | 1   | 1   | 1     |
| 6        | 301.15-06 | 下过线杆      | LOWER THREAD EYELET BAR          | 1   | 1   | 1   | 1   | 1   | 1     |
| 7        | 301.15-07 | 下过线架      | LOWER THREAD GUIDE FRAME         | 1   | 1   | 1   | 1   | 1   | 1     |
| 8        | 301.15-08 | 下过线板      | LOWER THREAD GUIDE PLATE         | 1   | 1   | 1   | 1   | 1   | 1     |
| 9        | 301.15-09 | 凸轮(组件)    | CAM ASM.                         | 1   | 1   | 1   | 1   | 1   | 1     |
| 10       | 301.15-10 | 过线板       | THREAD GUIDE PLATE               | 1   | 1   | 1   |     | 1   | 1     |
| 11       | 301.15-11 | 下过线板      | LOWER THREAD GUIDE PLATE         | 2   | 2   | 2   |     | 2   | 2     |
| 12       | 301.15-12 | 下过线勾      | LOWER THREAD FINGER              | 1   | 1   | 1   | 1   | 1   | 1     |
| 13       | 301.15-13 | 扳手        | HANDLE                           | 1   | 1   | 1   | 1   | 1   | 1     |
| 14       | 301.15-14 | 下线短导杆     | SHORT THREAD LEADER ROD          | 1   | 1   | 1   | 1   | 1   | 1     |
| 15       | 301.15-15 | 下过线导杆     | THREAD LEADER ROD                | 1   | 1   | 1   | 1   | 1   | 1     |
| 16       | 301.15-16 | 下过线座      | LOWER THREAD GUIDE SEATING       | 1   | 1   | 1   | 1   | 1   | 1     |
| 17       | 301.15-17 | 压簧        | PRESS SPRING                     | 1   | 1   | 1   | 1   | 1   | 1     |
| 18       | 301.15-18 | 绷线簧       | SPRING                           | 1   | 1   | 1   | 1   | 1   | 1     |
| 19       | 301.15-19 | 下过线垫片     | WASHER                           | 1   | 1   | 1   | 1   | 1   | 1     |
| 20       | 301.15-20 | 螺母(夹线板专用) | NUT                              | 1套  | 1套  | 1套  | 1套  | 1套  | 1套    |
| 21       | 301.15-21 | 下过线板      | LOWER THREAD GUIDE PLATE         | 1   | 1   | 1   | 1   | 1   | 1     |
| 22       | 301.15-22 | 开口挡圈      | SNAP RING                        | 2   | 2   | 2   | 2   | 2   | 2     |
| 23       | 301.15-23 | 绷线小压板     | PRESSER PLATE                    | 2   | 2   | 2   | 2   | 2   | 2     |
| 24       | 301.15-24 | 螺钉        | SCREW                            | 1   | 1   | 1   | 1   | 1   | 1     |
| 25       | 301.15-25 | 螺钉        | SCREW M4×8                       | 2   | 2   | 2   | 2   | 2   | 2     |
| 26       | 301.15-26 | 螺钉        | SCREW M2.5×4                     | 2   | 2   | 2   | 2   | 2   | 2     |
| 27       | 301.15-27 | 螺钉        | SCREW M4×16                      | 2   | 2   | 2   | 2   | 2   | 2     |
| 28       | 301.15-28 | 螺钉        | SCREW M4×6                       | 1   | 1   | 1   | 1   | 1   | 1     |
| 29       | 301.15-29 | 垫圈        | WASHER                           | 2   | 2   | 2   | 2   | 2   | 2     |
| 30       | 301.15-30 | 螺钉        | SCREW M3×3                       | 3   | 3   | 3   | 3   | 3   | 3     |
| 31       | 301.15-31 | 螺钉        | SCREW M5×5                       | 2   | 2   | 2   | 2   | 2   | 2     |
| 32       | 301.15-32 | 外六角螺钉     | SCREW M4×6                       | 1   | 1   | 1   | 1   | 1   | 1     |
| 33       | 301.15-33 | 螺钉        | SCREW M3×4                       | 1   | 1   | 1   | 1   | 1   | 1     |

16. 供油部件 LUBRICATION MECHNISM COMPONENTS



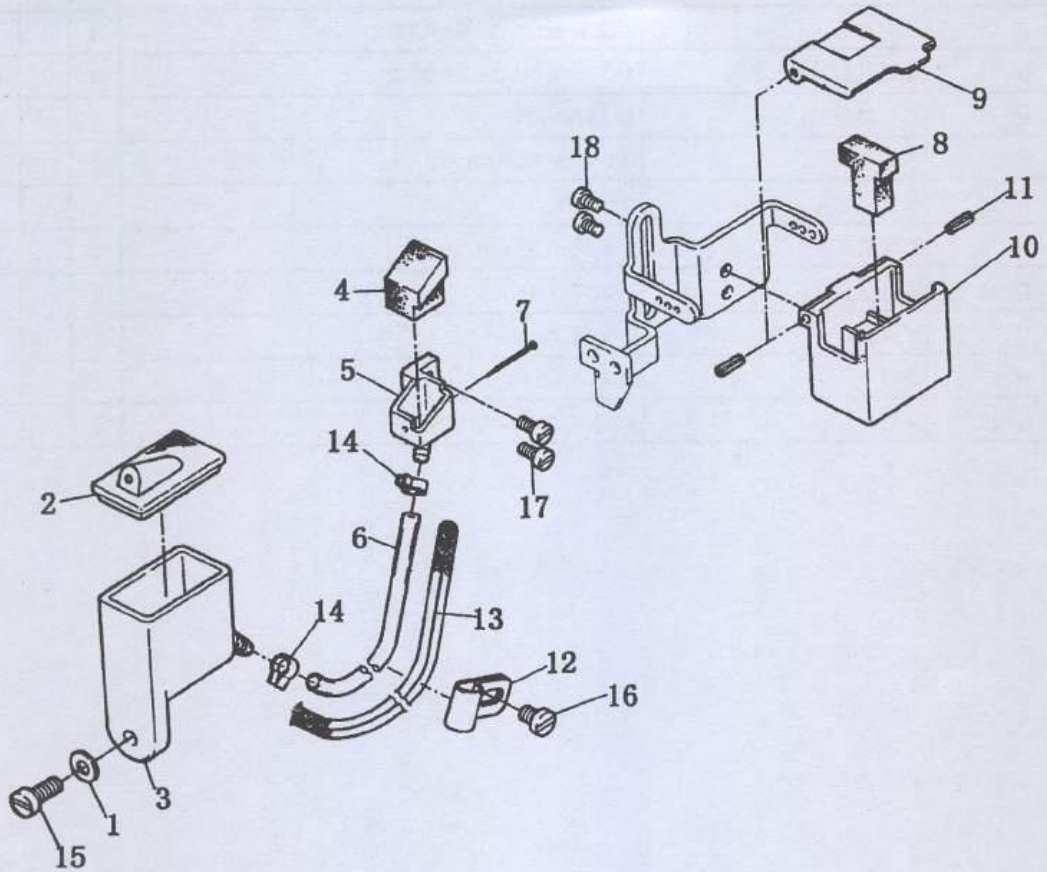
| 十六、供油部件 LUBRICATION MECHNISM COMPONENTS |              |          |                                   |     |     |     |     |     |       |
|-----------------------------------------|--------------|----------|-----------------------------------|-----|-----|-----|-----|-----|-------|
| 序号                                      | 图号           | 名称       | DESIGNATION                       | -01 | -02 | -03 | -04 | -05 | -02HY |
| 1                                       | 301.16-01    | 管接头      | TERMINAL                          | 1   | 1   | 1   | 1   | 1   | 1     |
| 2                                       | 301.16-02    | 螺钉小双通油接头 | SCREW WITH SMALL DOUBLE HOLES     | 1   | 1   | 1   | 1   | 1   | 1     |
| 3                                       | 301.16-03    | 油管组件     | OIL TUBE COMPLETE                 | 1   | 1   | 1   | 1   | 1   | 1     |
| 4                                       | 301.16-04    | 羊毛毡      | WOOL FELT                         | 1   | 1   | 1   | 1   | 1   | 1     |
| 5                                       | 301.16-05    | 下油管组件    | LOWER OIL TUBE COMPLETE           | 1   | 1   | 1   | 1   | 1   | 1     |
| 6                                       | 301.16-06    | 油管组件     | OIL TUBE COMPLETE                 | 1   | 1   | 1   | 1   | 1   | 1     |
| 7                                       | 301.16-07    | 油管定位勾    | OIL TUBE HOLDER                   | 1   | 1   | 1   | 1   | 1   | 1     |
| 8                                       | 301.16-08    | 上油盘      | UPPER OIL PAN                     | 1   | 1   | 1   | 1   | 1   |       |
| 9                                       | 301.16-09    | 油管       | OIL TUBE                          | 1   | 1   | 1   | 1   | 1   | 1     |
| 10                                      | 301.16-10    | 油管       | OIL TUBE                          | 1   | 1   | 1   | 1   | 1   | 1     |
| 11                                      | 301.16-11    | 油管       | OIL TUBE                          | 1   | 1   | 1   | 1   | 1   | 1     |
| 12                                      | 301.16-12    | 小油管      | SMALL OIL TUBE                    | 1   | 1   | 1   | 1   | 1   | 1     |
| 13                                      | 301.16-13    | 油线       | OIL WICK                          | 1   | 1   | 1   | 1   | 1   | 1     |
| 14                                      | 301.16-14    | 油管       | OIL TUBE                          | 1   | 1   | 1   | 1   | 1   | 1     |
| 15                                      | 301.16-15    | 油管       | OIL TUBE                          | 1   | 1   | 1   | 1   | 1   | 1     |
| 16                                      | 301.16-16    | 油线钉      | OIL WICK NAIL                     | 1   | 1   | 1   | 1   | 1   | 1     |
| 17                                      | 301.16-17    | 油管       | OIL TUBE                          | 1   | 1   | 1   | 1   | 1   | 1     |
| 18                                      | 301.16-18    | 螺钉双通油接头  | SCREW WITH DOUBLE HOLES SM1/4"×40 | 2   | 2   | 2   | 2   | 2   | 2     |
| 19                                      | 301.16-19    | 夹头       | COLLET                            | 8   | 8   | 8   | 8   | 8   | 8     |
| 20                                      | 301.16-20    | 螺钉单通油螺钉  | SCREW WITH SINGLE HOLE SM1/4"×40  | 1   | 1   | 1   | 1   | 1   | 1     |
| 21                                      | 301.16-20-01 | 管接头      | TERMINAL                          | 1   | 1   | 1   | 1   | 1   | 1     |
| 22                                      | 301.16-21    | 管接头(单)   | TERMINAL (SINGLE HOLE)            | 2   | 2   | 2   | 2   | 2   | 2     |
| 23                                      | 301.16-22    | 螺钉       | SCREW M4×6                        | 4   | 4   | 4   | 4   | 4   | 4     |
| 24                                      | 301.16-23    | 螺母       | NUT M4                            | 1   | 1   | 1   | 1   | 1   | 1     |
| 25                                      | 301.16-24    | 螺钉       | SCREW M5×5                        | 1   | 1   | 1   | 1   | 1   | 1     |
| 26                                      | 301.16-25    | 油管       | OIL TUBE                          | 1   | 1   | 1   | 1   | 1   | 1     |
| 27                                      | 301.16-26    | 管接头(双)   | TERMINAL                          | 1   | 1   | 1   | 1   | 1   | 1     |

17. 油泵部件 PUMP COMPONENTS



| 十七、油泵部件 PUMP COMPONENTS |           |              |                             |     |     |     |     |     |       |
|-------------------------|-----------|--------------|-----------------------------|-----|-----|-----|-----|-----|-------|
| 序号                      | 图号        | 名称           | DESIGNATION                 | -01 | -02 | -03 | -04 | -05 | -02HY |
| 1                       | 301.17-01 | (油泵组件)       | PUMP COMPLETE               | 1   | 1   | 1   | 1   | 1   | 1     |
| 2                       | 301.17-02 | 固定板          | FIXING PLATE                | (1) | (1) | (1) | (1) | (1) | (1)   |
| 3                       | 301.17-03 | 油泵端盖(底板)     | MOTHERBOARD                 | (1) | (1) | (1) | (1) | (1) | (1)   |
| 4                       | 301.17-04 | 内齿轮          | INNER GEAR WHEEL            | (2) | (2) | (2) | (2) | (2) | (2)   |
| 5                       | 301.17-05 | 上齿轮          | GEAR WHEEL (UPPER)          | (1) | (1) | (1) | (1) | (1) | (1)   |
| 6                       | 301.17-06 | 下齿轮          | GEAR WHEEL (LOWER)          | (1) | (1) | (1) | (1) | (1) | (1)   |
| 7                       | 301.17-07 | 油示轴 $\phi 8$ | SHAFT                       | (1) | (1) | (1) | (1) | (1) | (1)   |
| 8                       | 301.17-08 | 油泵壳体         | PUMP BODY                   | (1) | (1) | (1) | (1) | (1) | (1)   |
| 9                       | 301.17-09 | 上油泵体         | UPPER PUMP BODY             | (1) | (1) | (1) | (1) | (1) | (1)   |
| 10                      | 301.17-10 | 小轮           | SMALL GEAR WHEEL            | (1) | (1) | (1) | (1) | (1) | (1)   |
| 11                      | 301.17-11 | 油盘防油垫        | OIL PROTECTING GASKET       | 1   | 1   | 1   | 1   | 1   | 1     |
| 12                      | 301.17-12 | 油盘组件         | OIL PAN ASM.                | 1   | 1   | 1   | 1   | 1   | 1     |
| 13                      | 301.17-13 | 油盘           | OIL PAN                     | 1   | 1   | 1   | 1   | 1   | 1     |
| 14                      | 301.17-14 | 滤油器盖         | PUMP FILTER COVER           | 1   | 1   | 1   | 1   | 1   | 1     |
| 15                      | 301.17-15 | 滤油器螺钉        | PUMP FILTER SCREW SM3/8"×28 | 1   | 1   | 1   | 1   | 1   | 1     |
| 16                      | 301.17-16 | O型圈          | O-RING                      | 1   | 1   | 1   | 1   | 1   | 1     |
| 17                      | 301.17-17 | 滤油器          | PUMP FILTER                 | 1   | 1   | 1   | 1   | 1   | 1     |
| 18                      | 301.17-18 | 密封垫          | OIL PROTECTING GASKET       | 1   | 1   | 1   | 1   | 1   | 1     |
| 19                      | 301.17-20 | 螺钉           | SCREW                       | (2) | (2) | (2) | (2) | (2) | (2)   |
| 20                      | 301.17-21 | 螺钉           | SCREW                       | (2) | (2) | (2) | (2) | (2) | (2)   |
| 21                      | 301.17-22 | 螺钉           | SCREW M4×12                 | 3   | 3   | 3   | 3   | 3   | 3     |
| 22                      | 301.17-23 | 油盘螺钉         | OIL PAN SCREW SM3/8"×28     | 1   | 1   | 1   | 1   | 1   | 1     |
| 23                      | 301.17-24 | 螺钉           | SCREW M5×12                 | 2   | 2   | 2   | 2   | 2   | 2     |
| 24                      | 301.17-25 | 螺钉           | SCREW                       | (2) | (2) | (2) | (2) | (2) | (2)   |
| 25                      | 301.17-26 | 螺钉           | SCREW M8×20                 | 5   | 5   | 5   | 5   | 5   | 5     |
| 26                      | 301.17-27 | 商标           | BRAND                       | 1   | 1   | 1   | 1   | 1   | 1     |

18. 机针冷却器部件      NEEDLE COOLING MECHANISM COMPONENTS

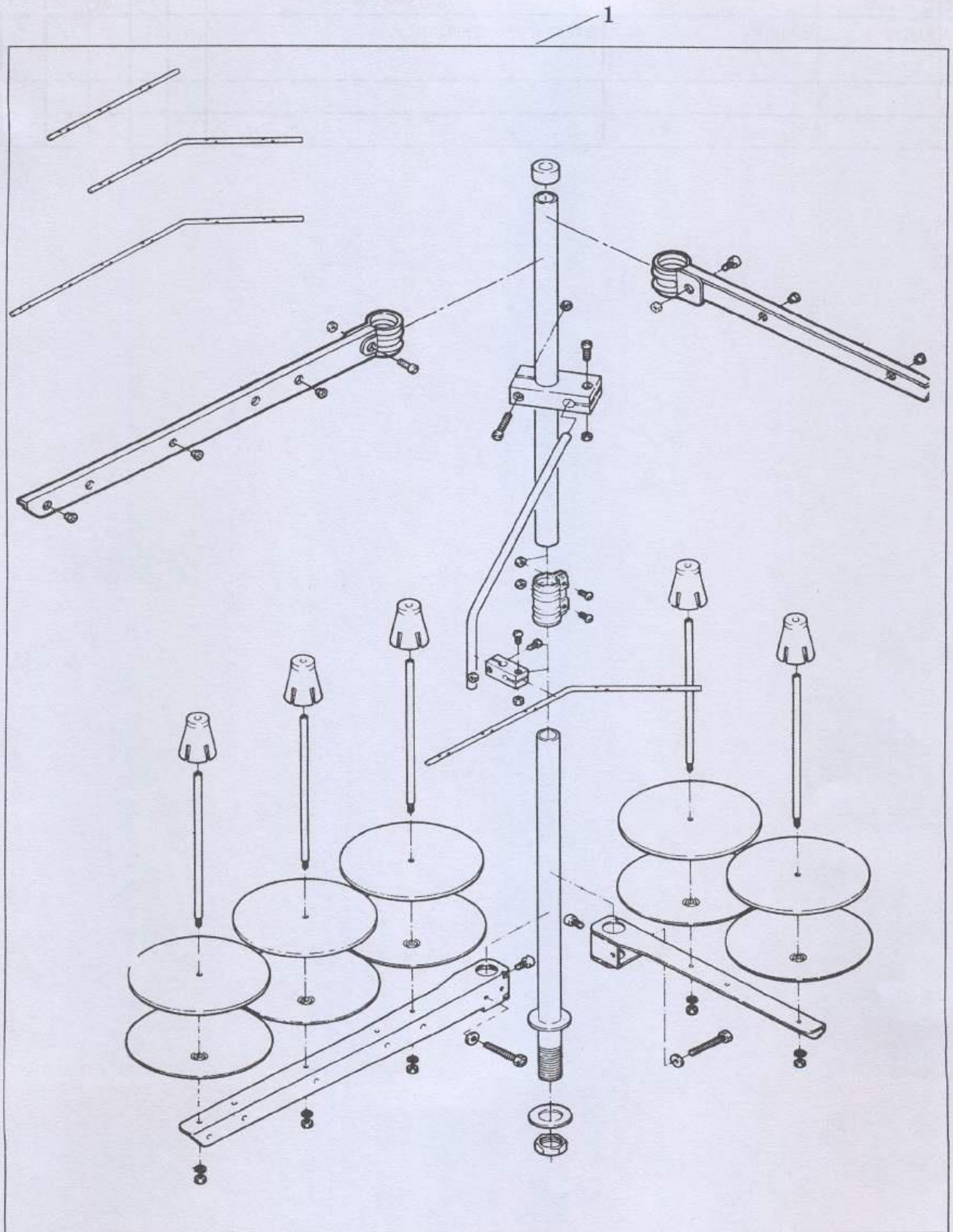




十八、机针冷却器部件 NEEDLE COOLING MECHANISM COMPONENTS

| 序号 | 图号        | 名称    | DESIGNATION                  | -01 | -02 | -03 | -04 | -05 | -02HY |
|----|-----------|-------|------------------------------|-----|-----|-----|-----|-----|-------|
| 1  | 301.18-01 | 垫圈    | WASHER                       | 1   | 1   | 1   |     | 1   | 1     |
| 2  | 301.18-02 | 硅油贮盒盖 | SILICONE OIL RESERVOIR COVER | 1   | 1   | 1   |     | 1   | 1     |
| 3  | 301.18-03 | 硅油贮盒  | SILICONE OIL RESERVOIR       | 1   | 1   | 1   |     | 1   | 1     |
| 4  | 301.18-04 | 硅油盒油毡 | SILICONE OIL RESERVOIR FELT  | 1   | 1   | 1   |     | 1   | 1     |
| 5  | 301.18-05 | 硅油盒壳体 | SILICONE OIL RESERVOIR BADCY | 1   | 1   | 1   |     | 1   | 1     |
| 6  | 301.18-06 | 硅油输油管 | SILICONE OIL EFFERENT        | 1   | 1   | 1   |     | 1   | 1     |
| 7  | 301.18-07 | 大头针   | PIN                          | 1   | 1   | 1   |     | 1   | 1     |
| 8  | 301.18-08 | 上硅油毡  | SILICONE OIL FELT (UPPER)    | 1   | 1   | 1   | 1   | 1   | 1     |
| 9  | 301.18-09 | 上硅油盖  | SILICONE OIL COVER (UPPER)   | 1   | 1   | 1   | 1   | 1   | 1     |
| 10 | 301.18-10 | 上硅油盒  | SILICONE OIL CASE (UPPER)    | 1   | 1   | 1   | 1   | 1   | 1     |
| 11 | 301.18-11 | 开口弹簧销 | ELASTIC PIN                  | 2   | 2   | 2   | 2   | 2   | 2     |
| 12 | 301.18-12 | 油线压板  | OIL WICK PRESS PLATE         | 1   | 1   | 1   |     | 1   | 1     |
| 13 | 301.18-13 | 油线    | OIL WICK                     | 2   | 2   | 2   |     | 2   | 2     |
| 14 | 301.18-14 | 弹簧管夹头 | SPRING TUBE COLLET           | 2   | 2   | 2   |     | 2   | 2     |
| 15 | 301.18-15 | 螺钉    | SCREW M4×10                  | 1   | 1   | 1   |     | 1   | 1     |
| 16 | 301.18-16 | 螺钉    | SCREW M4×6                   | 1   | 1   | 1   |     | 1   | 1     |
| 17 | 301.18-17 | 螺钉    | SCREW M3×6                   | 2   | 2   | 2   |     | 2   | 2     |
| 18 | 301.18-18 | 螺钉    | SCREW SM9/64"×40×5           | 2   | 2   | 2   | 2   | 2   | 2     |

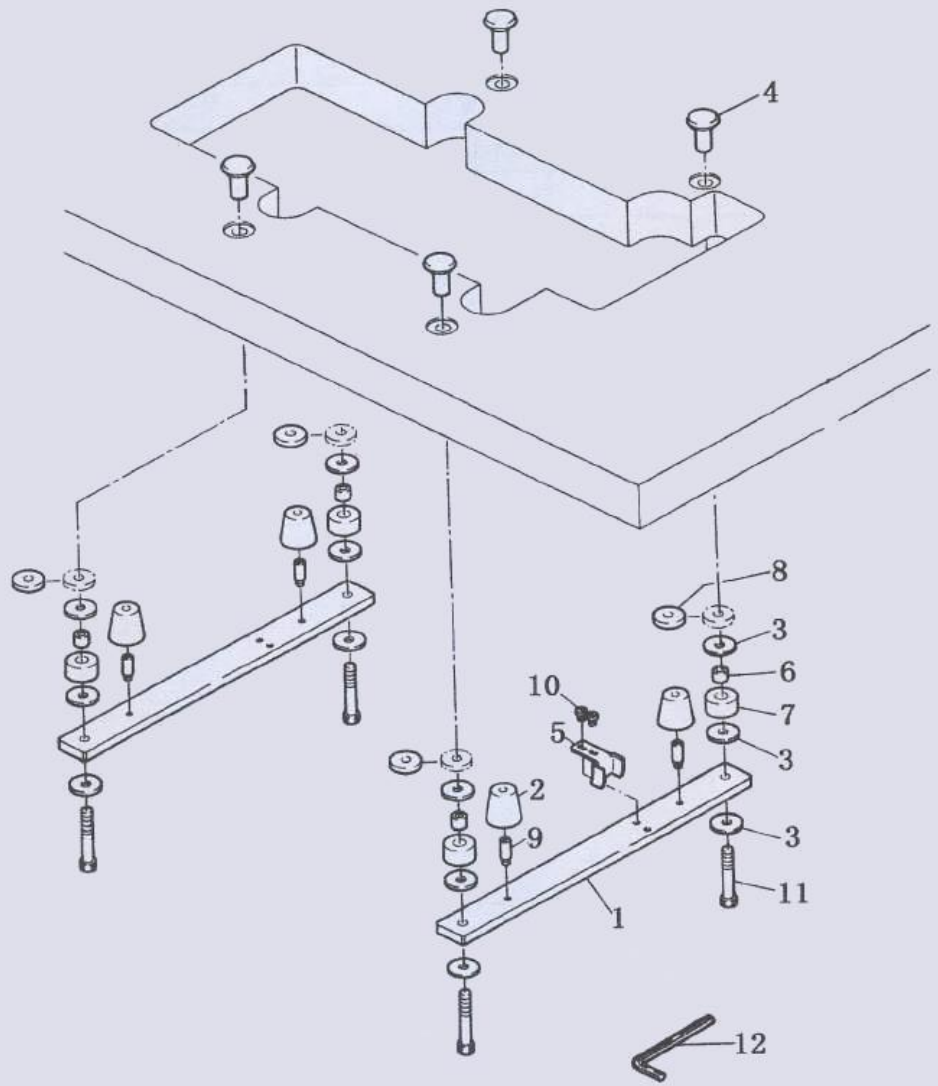
19.线架部件      THREAD STAND COMPONENTS



| 十九、线架部件 THREAD STAND COMPONENTS |           |      |                        |     |     |     |     |     |       |
|---------------------------------|-----------|------|------------------------|-----|-----|-----|-----|-----|-------|
| 序号                              | 图号        | 名 称  | DESIGNATION            | -01 | -02 | -03 | -04 | -05 | -02HY |
| 1                               | 301.19-01 | 线架组件 | THREAD STAND COMPLETE. | 1   | 1   | 1   | 1   | 1   | 2     |
|                                 |           |      |                        |     |     |     |     |     |       |
|                                 |           |      |                        |     |     |     |     |     |       |
|                                 |           |      |                        |     |     |     |     |     |       |

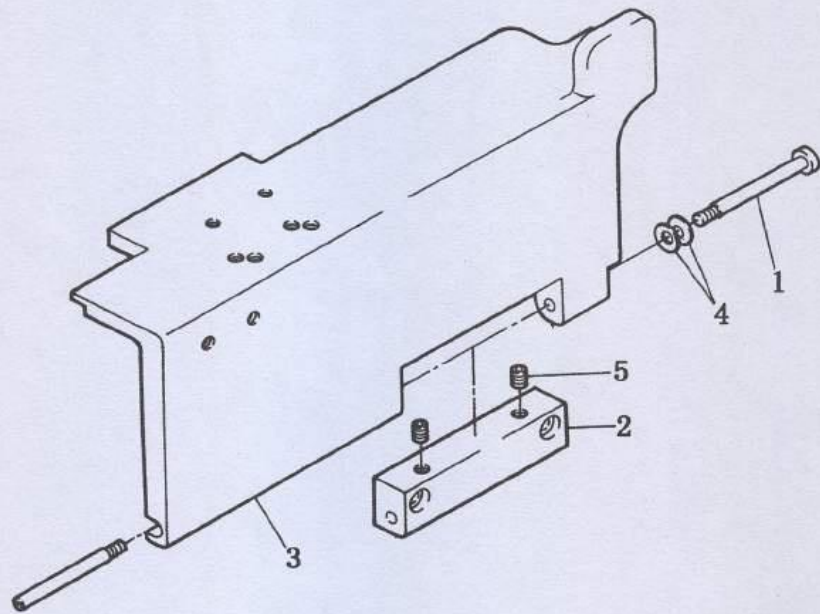
20. 附件

ACCESSORIES PARTS



| 二十、附件 ACCESSORIES PARTS |           |      |                       |     |     |     |     |     |       |
|-------------------------|-----------|------|-----------------------|-----|-----|-----|-----|-----|-------|
| 序号                      | 图号        | 名 称  | DESIGNATION           | -01 | -02 | -03 | -04 | -05 | -02HY |
| 1                       | 301.20-01 | 承重板  | BEARING PLATE         | 2   | 2   | 2   | 2   | 2   | 2     |
| 2                       | 301.20-02 | 胶垫   | SPACE RING            | 4   | 4   | 4   | 4   | 4   | 4     |
| 3                       | 301.20-03 | 垫片   | WASHER                | 12  | 12  | 12  | 12  | 12  | 12    |
| 4                       | 301.20-04 | 螺钉   | SCREW M8              | 4   | 4   | 4   | 4   | 4   | 4     |
| 5                       | 301.20-05 | 护板   | PROTECT PLATE         | 1   | 1   | 1   | 1   | 1   | 1     |
| 6                       | 301.20-06 | 胶垫骨架 | SPACE RING FRAME WORK | 4   | 4   | 4   | 4   | 4   | 4     |
| 7                       | 301.20-07 | 胶垫   | SPACE RING            | 4   | 4   | 4   | 4   | 4   | 4     |
| 8                       | 301.20-08 | 塑料垫圈 | PLASTIC WASHER        | 4   | 4   | 4   | 4   | 4   | 4     |
| 9                       | 301.20-09 | 螺钉   | SCREW SM3/16×32       | 4   | 4   | 4   | 4   | 4   | 4     |
| 10                      | 301.20-10 | 螺钉   | SCREW M5×8            | 2   | 2   | 2   | 2   | 2   | 2     |
| 11                      | 301.20-11 | 长螺钉  | LONG SCREW M8×55      | 4   | 4   | 4   | 4   | 4   | 4     |
| 12                      | 301.20-12 | 内六角  | WITHIN SIX FORELAND   | 1套  | 1套  | 1套  | 1套  | 1套  | 1套    |

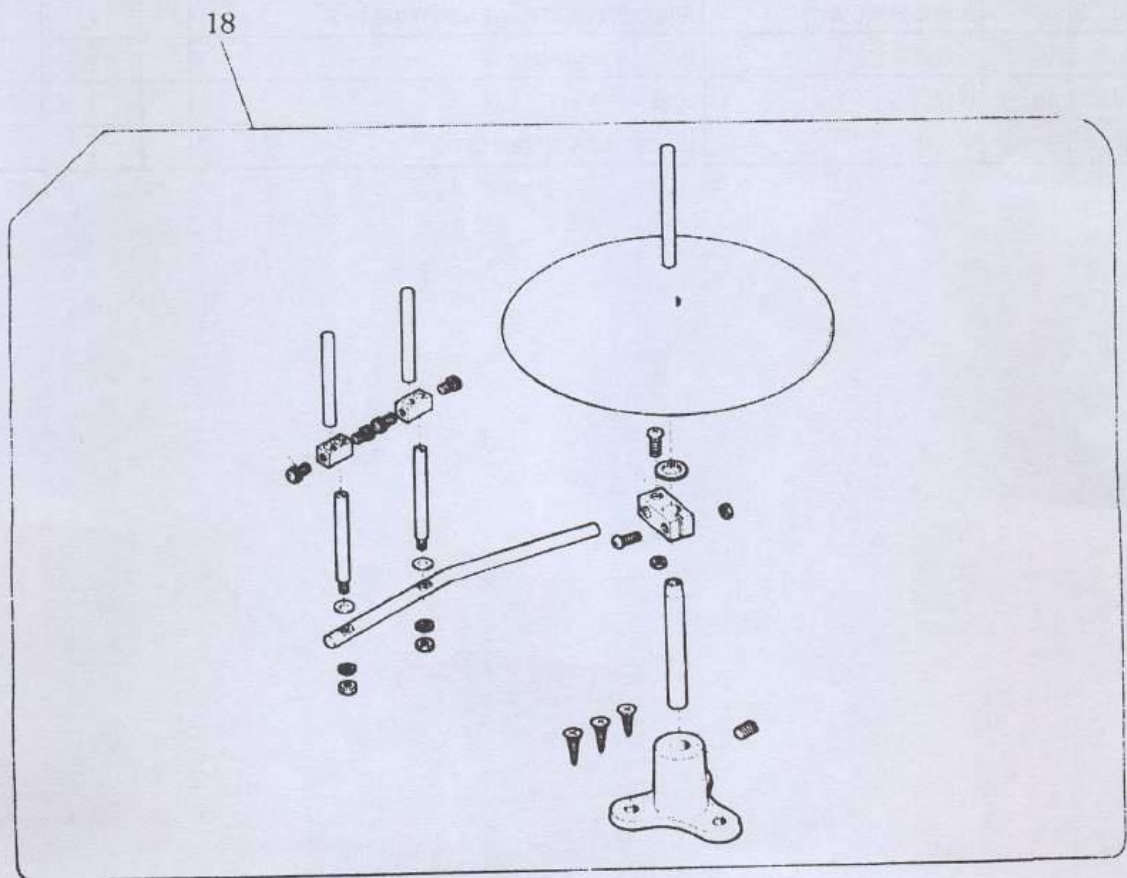
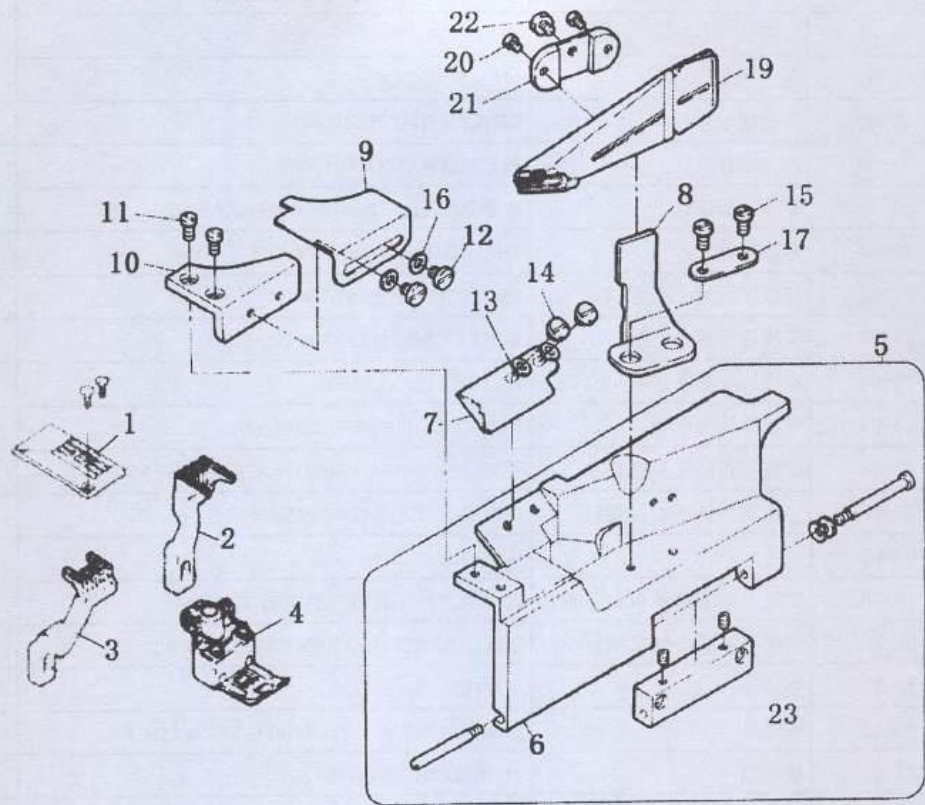
21. 导布部件 FABRIC GUIDE COMPONENTS



| 十九、线架部件 THREAD STAND COMPONENTS |           |      |                        |     |     |     |     |     |       |
|---------------------------------|-----------|------|------------------------|-----|-----|-----|-----|-----|-------|
| 序号                              | 图号        | 名称   | DESIGNATION            | -01 | -02 | -03 | -04 | -05 | -02HY |
| 1                               | 301.19-01 | 线架组件 | THREAD STAND COMPLETE. | 1   | 1   | 1   | 1   | 1   | 2     |
|                                 |           |      |                        |     |     |     |     |     |       |
|                                 |           |      |                        |     |     |     |     |     |       |
|                                 |           |      |                        |     |     |     |     |     |       |

23. 专用部件 SPECIFIC PARTS

500B-02



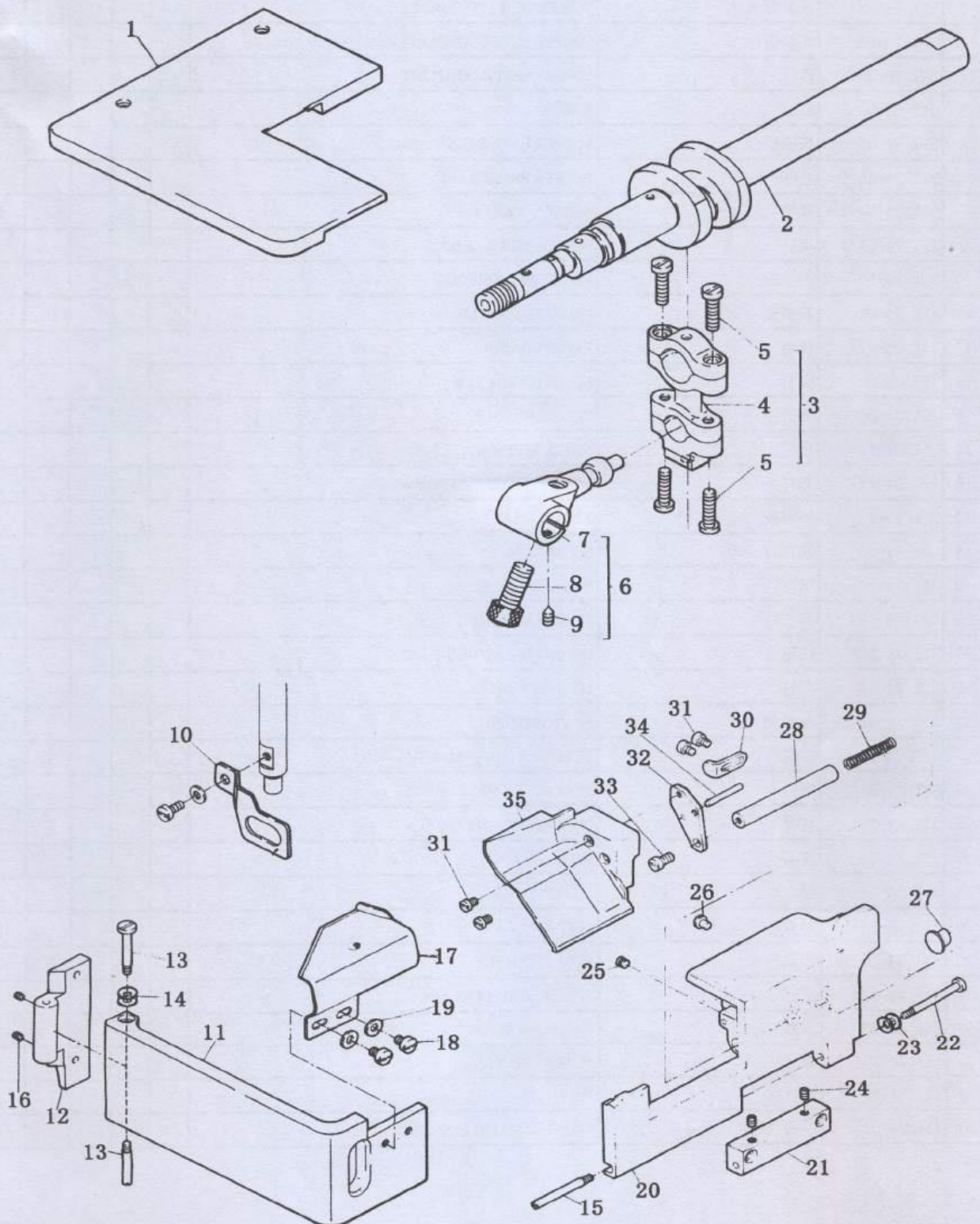


二十三、专用部件 SPECIFIC PARTS

| 序号 | 图号        | 名称            | DESIGNATION                              | -01 | -02 | -03 | -04 | -05 | 02HY |
|----|-----------|---------------|------------------------------------------|-----|-----|-----|-----|-----|------|
| 1  | 302.06-01 | 针板            | NEEDLE PLATE                             |     | 1   |     |     |     | 1    |
| 2  | 302.09-01 | 主送布牙          | MAIN FEED DOG                            |     | 1   |     |     |     | 1    |
| 3  | 302.09-02 | 差动送布牙         | DIFFERENTIAL FEED DOG                    |     | 1   |     |     |     | 1    |
| 4  | 302.11-00 | 压脚组件          | PRESSER FOOT COMPLETE.                   |     | 1   |     |     |     |      |
| 5  | 302.23-00 | 穿线罩板组件        | THREAD GUIDE PLATE COVER COMPLETE        |     | 1   |     |     |     | 1    |
| 6  | 302.23-01 | 穿线罩板          | THREAD GUIDE PLATE COVER                 |     | 1   |     |     |     | 1    |
| 7  | 302.23-02 | 穿线罩板滚条护板(右)   | PROTECT PLATE(RIGHT)                     |     | 1   |     |     |     | 1    |
| 8  | 302.23-03 | 穿线罩板滚条挡板      | BIBCOCK INSTALLATION BRACKET             |     | 1   |     |     |     | 1    |
| 9  | 302.23-04 | 穿线罩板滚条护板(左)   | PROTECT PLATE(LEFT)                      |     | 1   |     |     |     | 1    |
| 10 | 302.23-05 | 穿线罩挡线压板       | KEEP OFF THREAD PRESS PLATE              |     | 1   |     |     |     | 1    |
| 11 | 301.03-15 | 穿线罩挡线压板螺钉     | KEEP OFF THREAD PRESS PLATE SCREW M4×8   |     | 2   |     |     |     | 2    |
| 12 | 302.23-06 | 穿线罩板护板(左)螺钉   | PROTECT PLATE(LEFT) SCREW M5×6.          |     | 2   |     |     |     | 2    |
| 13 | 301.02-02 | 垫片            | WASHER                                   |     | 2   |     |     |     | 2    |
| 14 | 301.15-28 | 穿线罩板滚条护板(右)螺钉 | PROTECT PLATE(RIGHT) SCREW M4×6          |     | 2   |     |     |     | 2    |
| 15 | 301.02-26 | 穿线罩板滚条挡板螺钉    | BIBCOCK INSTALLATION BRACKET SCREW M6×10 |     | 2   |     |     |     | 2    |
| 16 | 301.12-12 | 垫片            | WASHER                                   |     | 2   |     |     |     | 2    |
| 17 | 302.23-12 | 垫片            | BIBCOCK INSTALLATION BRACKET WASHER      |     | 1   |     |     |     | 1    |
| 18 | 302.23-07 | 线架组件          | THREAD STAND COMPLETE                    |     | 1   |     |     |     | 1    |
| 19 | 302.23-08 | 龙头组件(夹边器组件)   | BIBCOCK COMPLETE                         |     | 1   |     |     |     | 1    |
| 20 | 302.23-14 | 夹线器固定板螺钉      | BIBCOCK FIXING PLATE SCREW M3.5×5        |     | 2   |     |     |     | 2    |
| 21 | 302.23-09 | 夹线器固定板        | BIBCOCK FIXING PLATE                     |     | 1   |     |     |     | 1    |
| 22 | 302.23-10 | 螺钉            | SCREW M5×12                              |     | 1   |     |     |     | 1    |
| 23 | 302.23-11 | 穿线链           | HINGE THREAD GUIDE LATH                  |     | 1   |     |     |     | 1    |

24. 专用部件 (1) SPECIFIC PARTS (ONE)

500B-05

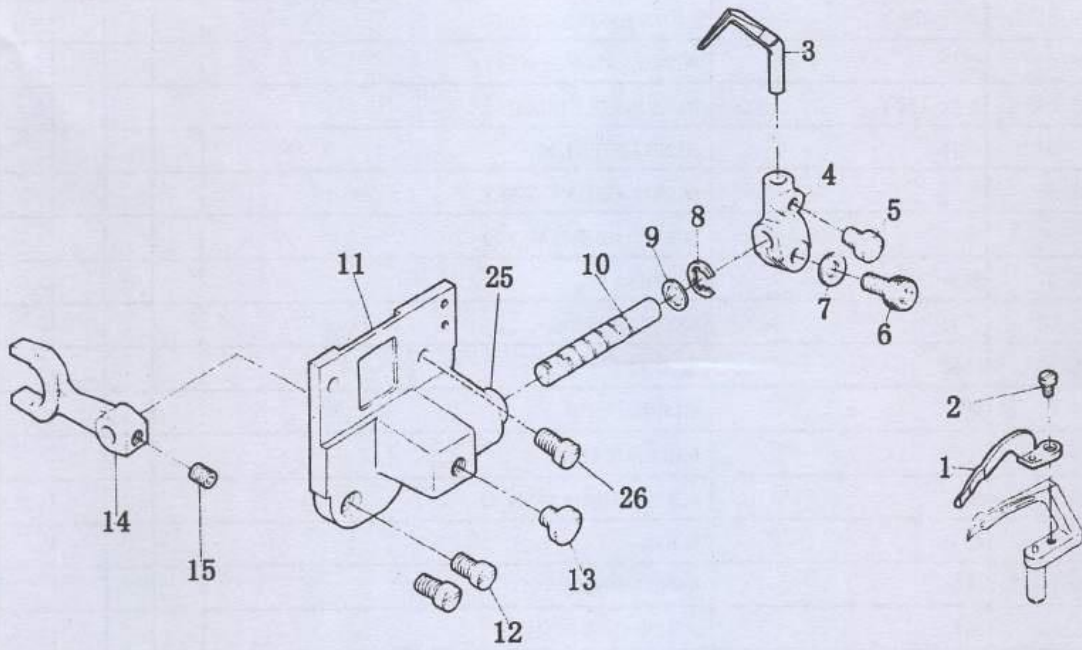


二十四、专用部件 (1) SPECIFIC PARTS (ONE)

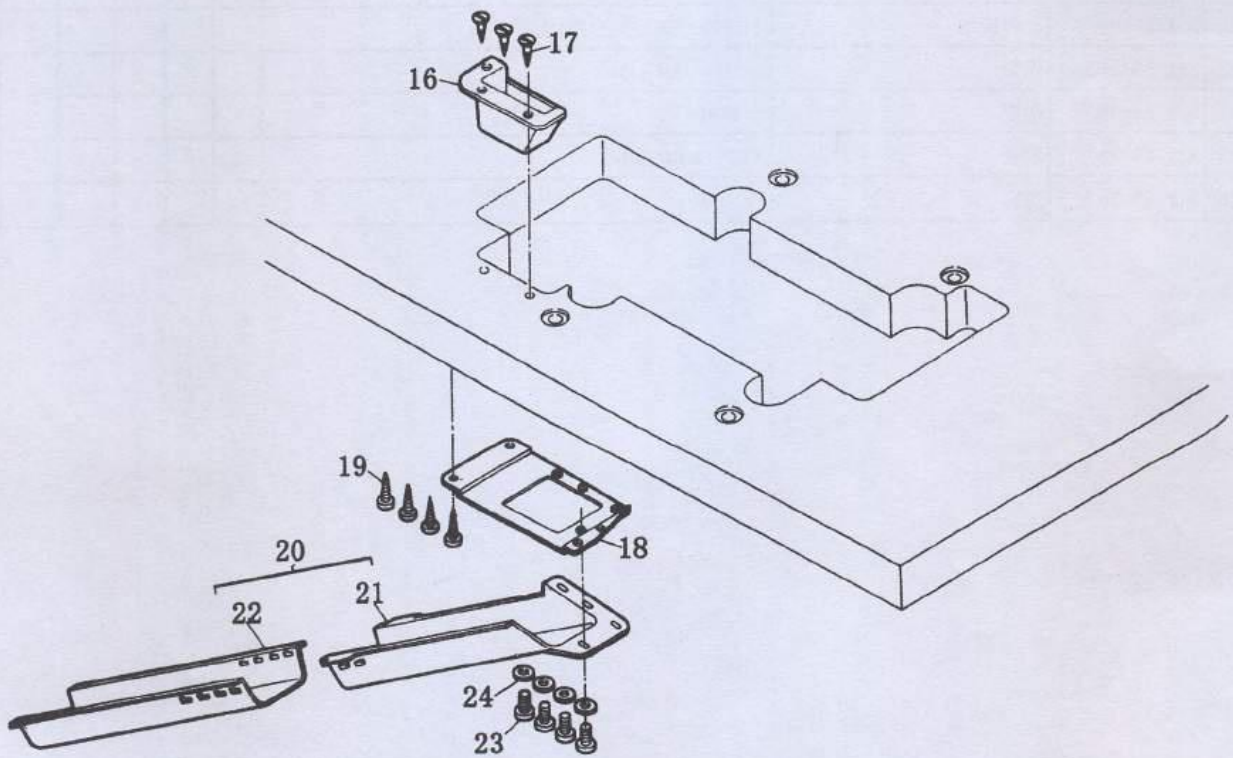
| 序号 | 图号          | 名称     | DESIGNATION                | -01 | -02 | -03 | -04 | -05 | 02HY |
|----|-------------|--------|----------------------------|-----|-----|-----|-----|-----|------|
| 1  | 311.24-01   | 缝台上盖   | SEWING PLATE UPER COVER    |     |     |     |     | 1   |      |
| 2  | 311.24-02   | 下轴前节   | LOWER SHAFT FOREPART       |     |     |     |     | 1   |      |
| 3  | 311.24-03   | 连杆组件   | LOOPER LEVER COMPLETE ASM. |     |     |     |     | 1   |      |
| 4  | 311.24-03-1 | 连杆     | LOOPER LEVER COMPLETE      |     |     |     |     | 1   |      |
| 5  | 311.24-03-2 | 螺钉     | SCREW                      |     |     |     |     | 4   |      |
| 6  | 311.24-04   | 曲柄组件   | LOOPER BALL CRANK ASM.     |     |     |     |     | 1   |      |
| 7  | 311.24-04-1 | 曲柄     | LOOPER BALL CRANK          |     |     |     |     | 1   |      |
| 8  | 311.24-04-2 | 螺钉     | SCREW M6×14                |     |     |     |     | 1   |      |
| 9  | 311.24-04-3 | 螺钉     | SCREW GB78-85 M3×4         |     |     |     |     | 1   |      |
| 10 | 311.24-05   | 护指架    | PRESSER BAR SHIELD         |     |     |     | 1   | 1   |      |
| 11 | 311.24-06   | 左侧盖    | FRONTAL MANTLE             |     |     |     |     | 1   |      |
| 12 | 311.24-07   | 铰链     | HINGE BOARD                |     |     |     |     | 1   |      |
| 13 | 311.24-08   | 螺钉     | HINGE LINK SCREW           |     |     |     |     | 1   |      |
| 14 | 311.24-09   | 弹簧垫片   | SPRING WASHER              |     |     |     |     | 2   |      |
| 15 | 311.24-10   | 螺钉     | HINGE SCREW                |     |     |     |     | 1   |      |
| 16 | 311.24-11   | 螺钉     | SCREW GB80-85 M3×4         |     |     |     |     | 2   |      |
| 17 | 311.24-12   | 护料板    | PROTECT BAT                |     |     |     |     | 1   |      |
| 18 | 311.24-13   | 螺钉     | SECREW M5×6                |     |     |     |     | 2   |      |
| 19 | 311.24-14   | 垫圈     | WASHER                     |     |     |     |     | 2   |      |
| 20 | 311.24-15   | 前盖     | FRONTAL MANTLE             |     |     |     |     | 1   |      |
| 21 | 311.24-16   | 铰链     | HINGE THREAD GUIDE LATH    |     |     |     |     | 1   |      |
| 22 | 311.24-17   | 螺钉     | LONG SCREW                 |     |     |     |     | 1   |      |
| 23 | 311.24-18   | 弹簧垫片   | WAVE WASHER                |     |     |     |     | 2   |      |
| 24 | 311.24-20   | 螺钉     | SCREW GB80-85 M5×6         |     |     |     |     | 2   |      |
| 25 | 311.24-21   | 螺钉     | SCREW GB80-85 M5×5         |     |     |     |     | 1   |      |
| 26 | 311.24-22   | 孔塞     | SHOCKPROOF PLUG            |     |     |     |     | 1   |      |
| 27 | 311.24-23   | 塞      | PLUG                       |     |     |     |     | 1   |      |
| 28 | 311.24-24   | 轴      | SHAFT                      |     |     |     |     | 1   |      |
| 29 | 311.24-25   | 弹簧     | SPRING                     |     |     |     |     | 1   |      |
| 30 | 311.24-26   | 止动片    | STOP STIR PIECE            |     |     |     |     | 1   |      |
| 31 | 311.24-27   | 螺钉     | SCREW GB818-85 M4×6        |     |     |     |     | 4   |      |
| 32 | 311.24-28   | 支架     | BAR ROCK SHAFT             |     |     |     |     | 1   |      |
| 33 | 311.24-29   | 螺钉     | SCREW M5×10                |     |     |     |     | 1   |      |
| 34 | 311.24-30   | 销      | PIN                        |     |     |     |     | 1   |      |
| 35 | 311.24-31   | 前盖 (小) | FRONTAL MANTLE (SMALL)     |     |     |     |     | 1   |      |

25. 专用部件 (2) SPECIFIC PARTS (TWO)

500B-05



500B-05

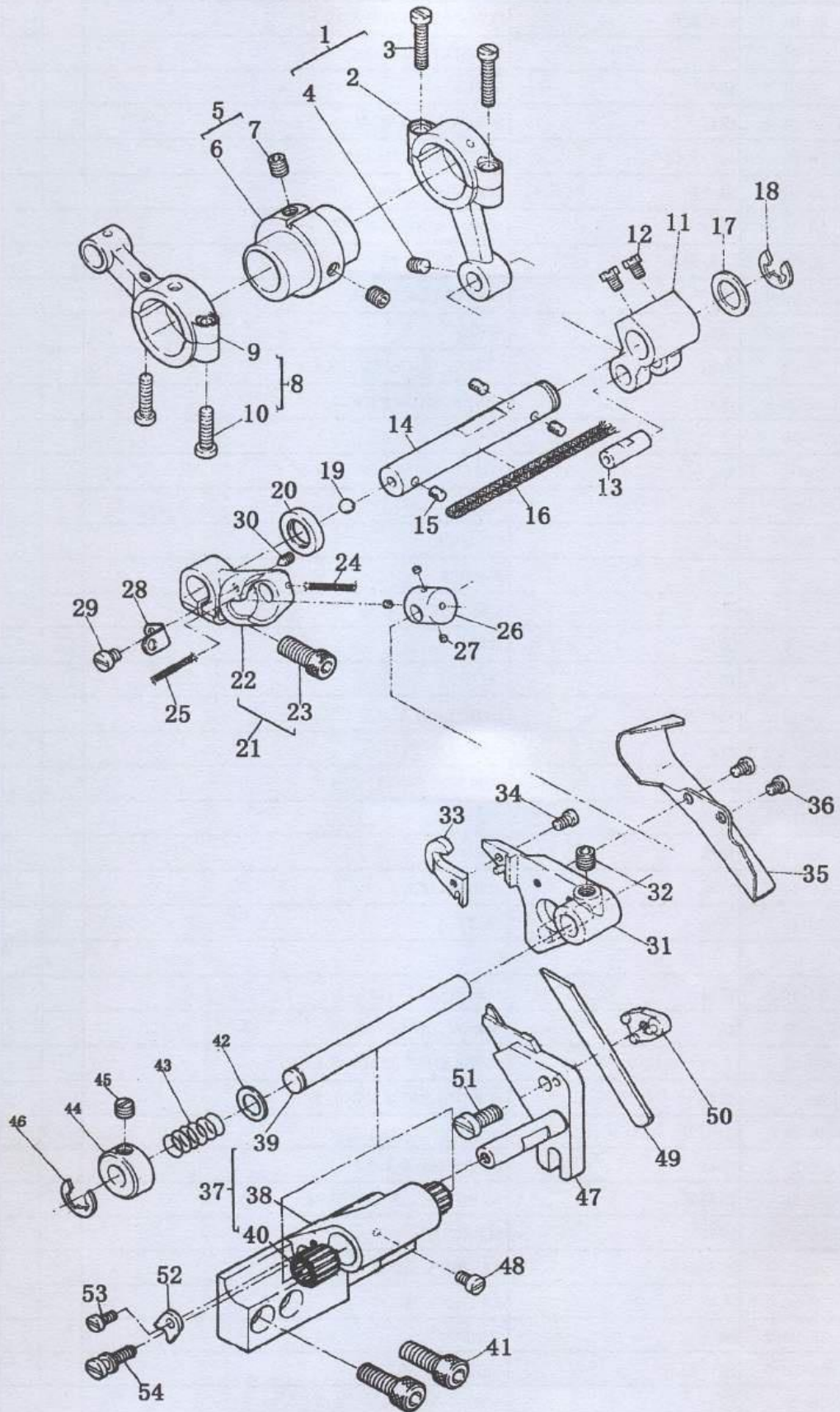


二十五、专用部件(2) SPECIFIC PARTS (TWO)

| 序号 | 图号          | 名称     | DESIGNATION          | -01 | -02 | -03 | -04 | -05 | 02HY |
|----|-------------|--------|----------------------|-----|-----|-----|-----|-----|------|
| 1  | 311.25-01   | 护针(前)  | FRONT NEEDLE GUARD   |     |     |     |     | 1   |      |
| 2  | 311.25-02   | 螺钉     | SCREW GB65-85 M2.5×4 |     |     |     |     | 1   |      |
| 3  | 311.25-03   | 护针(后)  | REAR NEEDLE GUARD    |     |     |     |     | 1   |      |
| 4  | 311.25-04   | 杠杆     | HAND LIFTER LINK     |     |     |     |     | 1   |      |
| 5  | 311.25-05   | 螺钉     | SCREW GB818-85 M4×8  |     |     |     |     | 1   |      |
| 6  | 311.25-06   | 螺钉     | SCREW GB70-85 M5×10  |     |     |     |     | 1   |      |
| 7  | 311.25-07   | 弹簧垫片   | WASHER               |     |     |     |     | 1   |      |
| 8  | 311.25-08   | 卡簧     | RETAINING RING       |     |     |     |     | 1   |      |
| 9  | 311.25-09   | 垫圈     | WASHER               |     |     |     |     | 1   |      |
| 10 | 311.25-10   | 轴      | SHAFT                |     |     |     |     | 1   |      |
| 11 | 311.25-11   | 支架     | BAR ROCK SHAFT       |     |     |     |     | 1   |      |
| 12 | 311.25-12   | 螺钉     | SCREW GB818-85 M4×8  |     |     |     |     | 2   |      |
| 13 | 311.25-13   | 螺钉     | SCREW                |     |     |     |     | 1   |      |
| 14 | 311.25-14   | 杠杆     | HAND LIFTER LINK     |     |     |     |     | 1   |      |
| 15 | 311.25-15   | 螺钉     | SCREW GB80-85 M5×5   |     |     |     |     | 1   |      |
| 16 | 311.25-16   | 废屑槽    | FILLER CHUTE         |     |     |     |     | 1   |      |
| 17 | 311.25-17   | 螺钉     | SCREW                |     |     |     |     | 3   |      |
| 18 | 311.25-18   | 支架     | BAR ROCK SHAFT       |     |     |     |     | 1   |      |
| 19 | 311.25-19   | 螺钉     | SCREW                |     |     |     |     | 4   |      |
| 20 | 311.25-20   | 废屑流槽装置 | FILLER CHUTE ASM.    |     |     |     |     | 1   |      |
| 21 | 311.25-20-1 | 废屑流槽   | FILLER CHUTE (UPPER) |     |     |     |     | 1   |      |
| 22 | 311.25-20-2 | 废屑流槽   | FILLER CHUTE (LOWER) |     |     |     |     | 1   |      |
| 23 | 311.25-21   | 螺钉     | SCREW M4×12          |     |     |     |     | 1   |      |
| 24 | 311.25-22   | 垫圈     | WASHER               |     |     |     |     | 1   |      |
| 25 | 311.25-23   | 铜套     | COPPER BUSHING       |     |     |     |     | 1   |      |
| 26 | 311.25-26   | 螺钉     | SCREW                |     |     |     |     | 1   |      |

26. 专用部件 (3) SPECIFIC PARTS (THREE)

500B-05

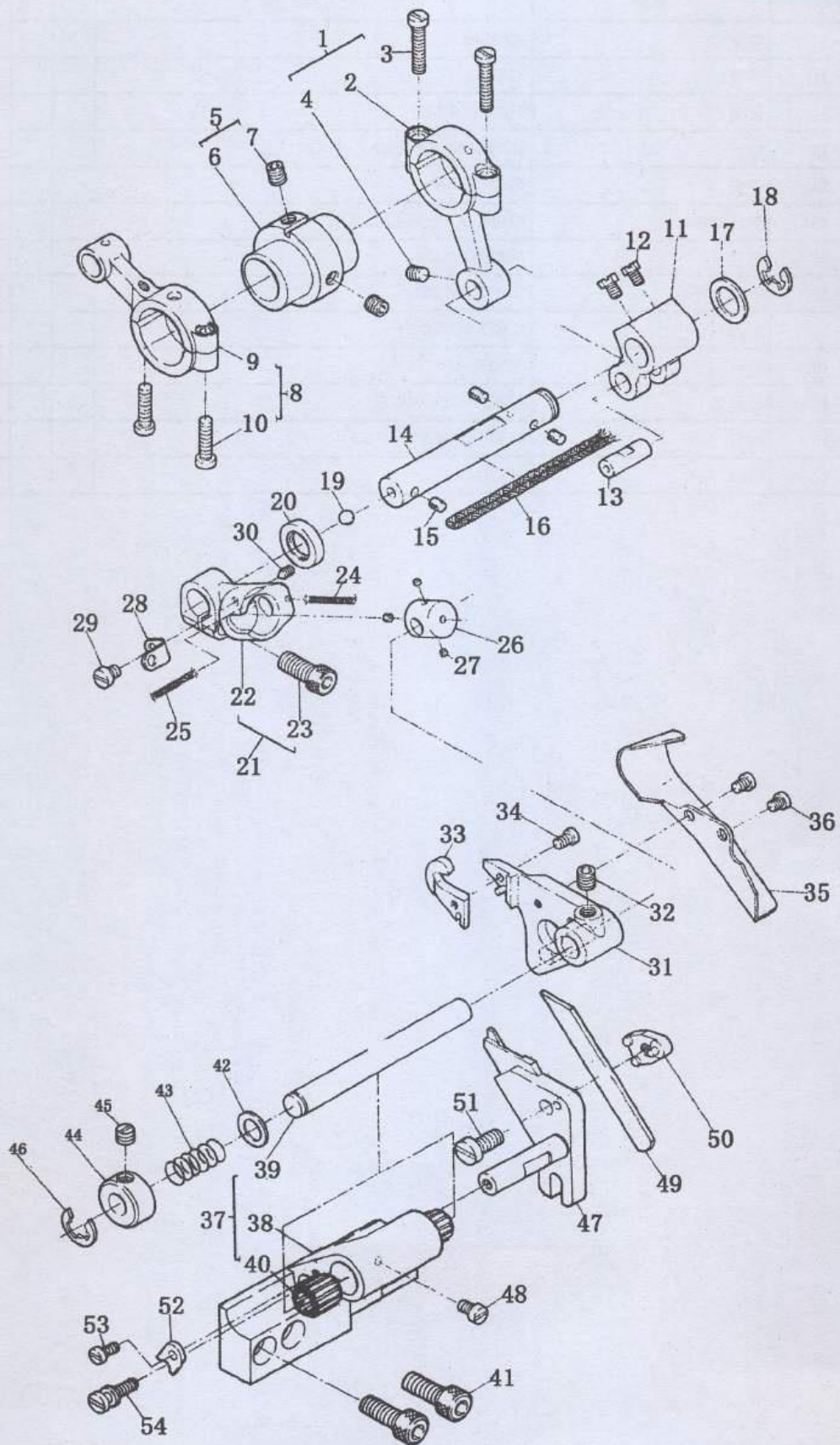


## 二十六、专用部件 (3) SPECIFIC PARTS (THREE)

| 序号 | 图号          | 名称     | DESIGNATION              | -01 | -02 | -03 | -04 | -05 | 02HY |
|----|-------------|--------|--------------------------|-----|-----|-----|-----|-----|------|
| 1  | 311.26-01   | 连杆组件   | CONNECTING ROD ASM.      |     |     |     |     | 1   |      |
| 2  | 311.26-01-1 | 连杆     | CONNECTING ROD           |     |     |     |     | 1   |      |
| 3  | 311.26-01-2 | 螺钉     | SCREW                    |     |     |     |     | 2   |      |
| 4  | 311.26-01-3 | 螺钉     | SCREW GB80-85 M4×4       |     |     |     |     | 1   |      |
| 5  | 311.26-02   | 偏心轮组件  | ECCENTRIC CAM ASM.       |     |     |     |     | 1   |      |
| 6  | 311.26-02-1 | 偏心轮    | ECCENTRIC CAM            |     |     |     |     | 1   |      |
| 7  | 311.26-02-2 | 螺钉     | SCREW GB80-85 M5×6       |     |     |     |     | 2   |      |
| 8  | 311.26-03   | 连杆组件   | LOOPER LINK LEVER ASM.   |     |     |     |     | 1   |      |
| 9  | 311.26-03-1 | 连杆     | LOOPER LINK LEVER        |     |     |     |     | 1   |      |
| 10 | 311.26-03-2 | 螺钉     | SCREW                    |     |     |     |     | 2   |      |
| 11 | 311.26-04   | 曲柄     | NEEDLE GUARD CRANK       |     |     |     |     | 1   |      |
| 12 | 311.26-05   | 螺钉     | SCREW SM11/64"×40×6      |     |     |     |     | 2   |      |
| 13 | 311.26-06   | 销      | PIN                      |     |     |     |     | 1   |      |
| 14 | 311.26-07   | 轴      | SHAFT                    |     |     |     |     | 1   |      |
| 15 | 311.26-08   | 毛毡     | FELT                     |     |     |     |     | 3   |      |
| 16 | 311.26-09   | 油线     | OIL WICK                 |     |     |     |     | 1   |      |
| 17 | 311.26-10   | 垫圈     | WASHER                   |     |     |     |     | 1   |      |
| 18 | 311.26-11   | 卡簧     | SNAP THRUST RING         |     |     |     |     | 1   |      |
| 19 | 311.26-12   | 塞头     | PLUG                     |     |     |     |     | 1   |      |
| 20 | 311.26-13   | 油封     | OIL SEAL                 |     |     |     |     | 1   |      |
| 21 | 311.26-14   | 杠杆组件   | HAND LIFTER LINK ASM.    |     |     |     |     | 1   |      |
| 22 | 311.26-14-1 | 杠杆     | HAND LIFTER LINK         |     |     |     |     | 1   |      |
| 23 | 311.26-14-2 | 螺钉     | SCREW GB70-85 M5×15      |     |     |     |     | 1   |      |
| 24 | 311.26-15   | 油线     | OIL WICK                 |     |     |     |     | 1   |      |
| 25 | 311.26-16   | 油线     | OIL WICK                 |     |     |     |     | 1   |      |
| 26 | 311.26-17   | 滑块     | SLIDE BLOCK              |     |     |     |     | 1   |      |
| 27 | 311.26-18   | 毛毡     | FELT                     |     |     |     |     | 3   |      |
| 28 | 311.26-19   | 销      | PIN                      |     |     |     |     | 1   |      |
| 29 | 311.26-20   | 螺钉     | SCREW GB65-85 M3×5       |     |     |     |     | 1   |      |
| 30 | 311.26-21   | 螺钉     | SCREW GB78-85 M3×4       |     |     |     |     | 1   |      |
| 31 | 311.26-22   | 上切刀架组件 | UPPER KNIFE BRACKET ASM. |     |     |     |     | 1   |      |
| 32 | 311.26-23   | 螺钉     | SCREW GB80-85 M6×0.75×5  |     |     |     |     | 1   |      |
| 33 | 311.26-24   | 上切刀    | UPPER KNIFE BRACKET      |     |     |     |     | 1   |      |
| 34 | 311.26-25   | 螺钉     | SCREW SM1/8x44-5.5       |     |     |     |     | 1   |      |
| 35 | 311.26-26   | 挡屑罩    | WARD OFF SCRAPS COVER    |     |     |     |     | 1   |      |
| 36 | 311.26-27   | 螺钉     | SCREW M3                 |     |     |     |     | 2   |      |
| 37 | 311.26-28   | 支架组件   | BAR ROCK SHAFT ASM.      |     |     |     |     | 1   |      |
| 38 | 311.26-28-1 | 支架     | BAR ROCK SHAFT           |     |     |     |     | 1   |      |
| 39 | 311.26-28-2 | 轴      | SHAFT                    |     |     |     |     | 1   |      |
| 40 | 311.26-28-3 | 滚针轴承   | NEEDLE BEARING           |     |     |     |     | 2   |      |
| 41 | 311.26-29   | 螺钉     | SCREW M6×14              |     |     |     |     | 2   |      |

26. 专用部件 (3) SPECIFIC PARTS (THREE)

500B-05



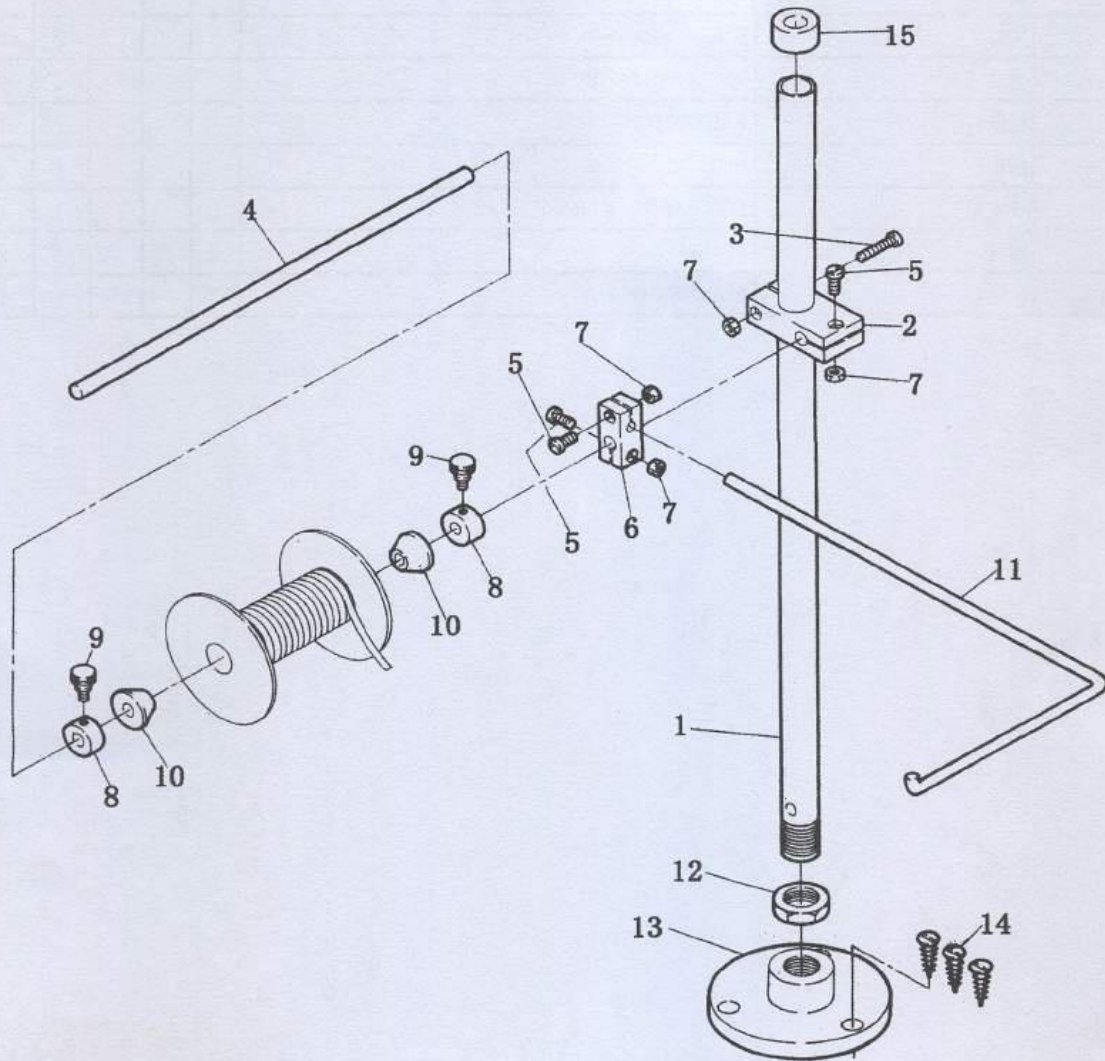


二十六、专用部件 (3) SPECIFIC PARTS (THREE)

| 序号 | 图号        | 名称   | DESIGNATION          | -01 | -02 | -03 | -04 | -05 | 02HY |
|----|-----------|------|----------------------|-----|-----|-----|-----|-----|------|
| 42 | 311.26-30 | 垫圈   | WASHER               |     |     |     |     | 1   |      |
| 43 | 311.26-31 | 弹簧   | SPRING               |     |     |     |     | 1   |      |
| 44 | 311.26-32 | 紧圈   | THRUST RING          |     |     |     |     | 1   |      |
| 45 | 311.26-33 | 螺钉   | SCREW SM11/64x40x4   |     |     |     |     | 1   |      |
| 46 | 311.26-34 | 卡簧   | CLIP SPRING          |     |     |     |     | 1   |      |
| 47 | 311.26-35 | 下切刀架 | KNIFE BOTTOM BRACKET |     |     |     |     | 1   |      |
| 48 | 311.26-36 | 螺钉   | SCREW M4x6           |     |     |     |     | 1   |      |
| 49 | 311.26-37 | 下刀片  | KNIFE BOTTOM         |     |     |     |     | 1   |      |
| 50 | 311.26-38 | 下刀夹  | KNIFE BOTTOM         |     |     |     |     | 1   |      |
| 51 | 311.26-39 | 螺钉   | SCREW M5x10          |     |     |     |     | 1   |      |
| 52 | 311.26-40 | 导向器  | LEAD FAVER WARE      |     |     |     |     | 1   |      |
| 53 | 311.26-41 | 螺钉   | SCREW GB65-85 M3x6   |     |     |     |     | 1   |      |
| 54 | 311.26-42 | 螺钉   | SCREW                |     |     |     |     | 1   |      |

28. 专用部件 (4) SPECIFIC PARTS (FOUR)

500B-05

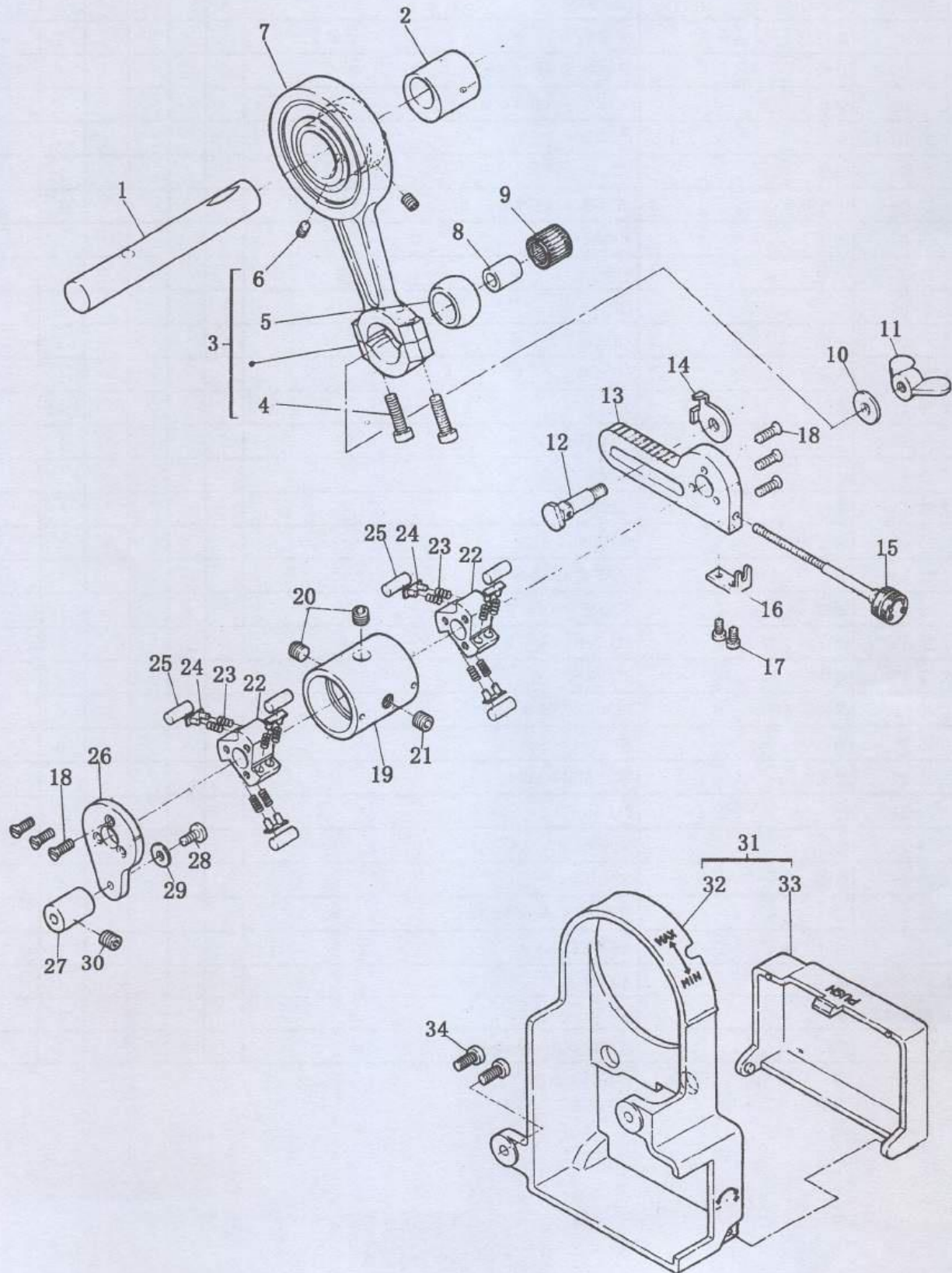


二十八、专用部件 (4) SPECIFIC PARTS (FOUR)

| 序号 | 图号        | 名称   | DESIGNATION         | -01 | -02 | -03 | -04 | -05 | 02HY |
|----|-----------|------|---------------------|-----|-----|-----|-----|-----|------|
| 1  | 311.28-01 | 杆    | HAND LIFTER LINK    |     |     |     | 1   | 1   |      |
| 2  | 311.28-02 | 支架   | BAR ROCK SHAFT      |     |     |     | 1   | 1   |      |
| 3  | 311.28-03 | 螺钉   | SCREW               |     |     |     | 1   | 1   |      |
| 4  | 311.28-04 | 棒    | STICK               |     |     |     | 1   | 1   |      |
| 5  | 311.28-05 | 螺钉   | SCREW               |     |     |     | 3   | 3   |      |
| 6  | 311.28-06 | 固定器  | FIXER               |     |     |     | 1   | 1   |      |
| 7  | 311.28-08 | 螺母   | NUT M4              |     |     |     | 4   | 4   |      |
| 8  | 311.28-09 | 紧圈   | THRUST RING         |     |     |     | 2   | 2   |      |
| 9  | 311.28-10 | 螺钉   | SCREW SM9/64x40     |     |     |     | 2   | 2   |      |
| 10 | 311.28-11 | 卷轴导向 | REEL LEAD FAVOR     |     |     |     | 2   | 2   |      |
| 11 | 311.28-12 | 辅助杆  | ASSISTANT PERCH     |     |     |     | 1   | 1   |      |
| 12 | 311.28-15 | 螺母   | NUT                 |     |     |     | 1   | 1   |      |
| 13 | 311.28-16 | 线支架  | LINE BAR ROCK SHAFT |     |     |     | 1   | 1   |      |
| 14 | 311.28-17 | 螺钉   | SCREW               |     |     |     | 3   | 3   |      |
| 15 | 311.28-18 | 塑料帽  | PLASTIC CAP         |     |     |     | 1   | 1   |      |

# 29. 专用部件 (5) SPECIFIC PARTS (FIVE)

500B-05

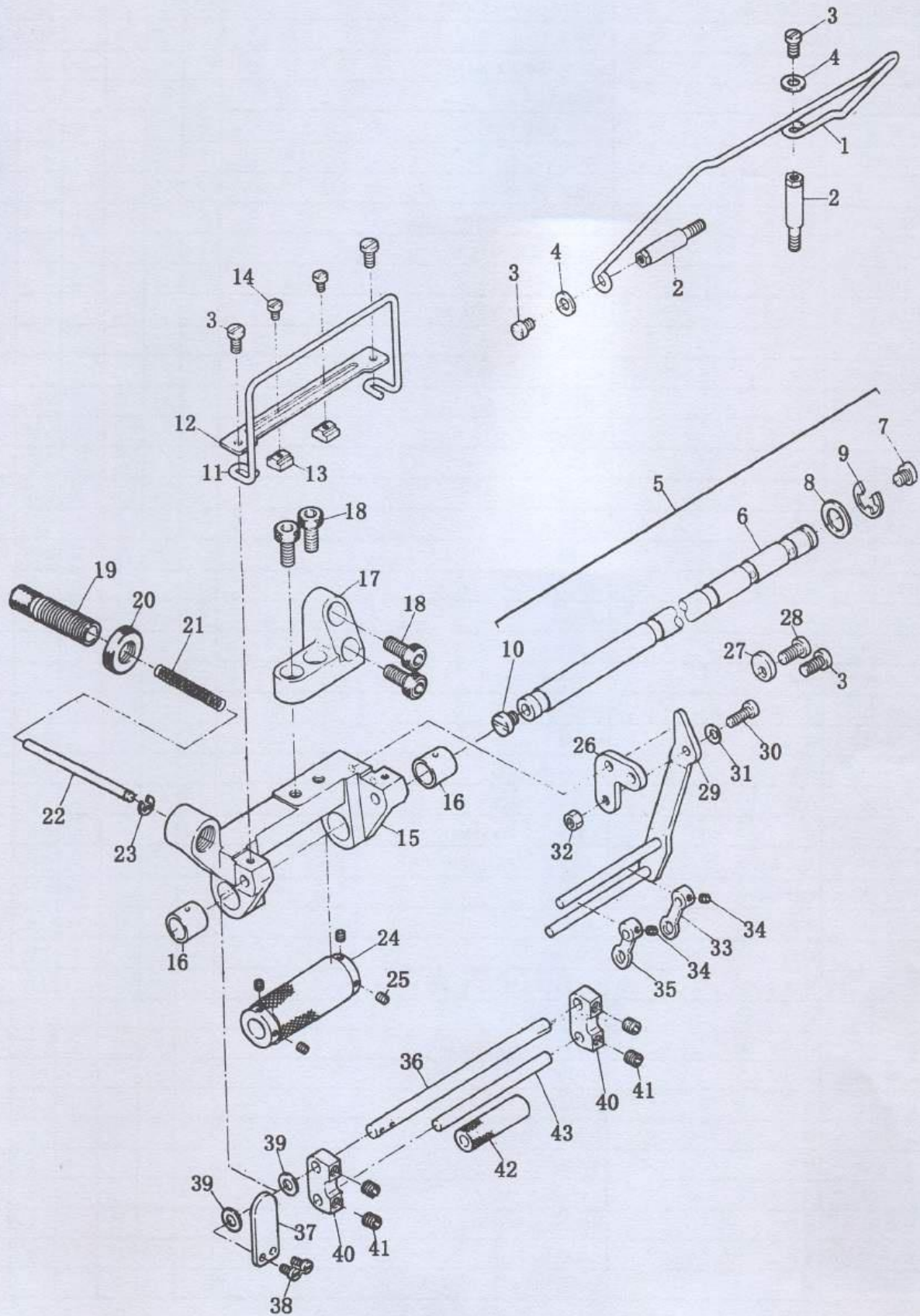


## 二十九、专用部件 (5) SPECIFIC PARTS (FIVE)

| 序号 | 图号          | 名称     | DESIGNATION             | -01 | -02 | -03 | -04 | -05 | 02HY |
|----|-------------|--------|-------------------------|-----|-----|-----|-----|-----|------|
| 1  | 311.29-01   | 上轴后节   | MAIN SHAFT BACKSIDE     |     |     |     |     | 1   |      |
| 2  | 311.29-02   | 偏心组件   | ECCENTRICITY ASM.       |     |     |     |     | 1   |      |
| 3  | 311.29-03   | 连接组件   | LINK ASM.               |     |     |     |     | 1   |      |
| 4  | 311.29-03-1 | 螺钉     | SCREW                   |     |     |     |     | 2   |      |
| 5  | 311.29-03-2 | 球轴     | SPHERE SHAFT            |     |     |     |     | 1   |      |
| 6  | 311.29-03-3 | 螺钉     | SCREW GB80-85 M5×5      |     |     |     |     | 2   |      |
| 7  | 311.29-03-4 | 轴承     | BEARING                 |     |     |     |     | 1   |      |
| 8  | 311.29-04   | 轴套     | BUSHING                 |     |     |     |     | 1   |      |
| 9  | 311.29-05   | 滚针轴承   | NEEDLE BEARING          |     |     |     |     | 1   |      |
| 10 | 311.29-06   | 垫圈     | WASHER                  |     |     |     |     | 1   |      |
| 11 | 311.29-07   | 螺母     | NUT                     |     |     |     |     | 1   |      |
| 12 | 311.29-08   | 销      | PIN                     |     |     |     |     | 1   |      |
| 13 | 311.29-09   | 曲柄     | BRACE                   |     |     |     |     | 1   |      |
| 14 | 311.29-10   | 显示器    | DISPLAY                 |     |     |     |     | 1   |      |
| 15 | 311.29-11   | 螺钉     | SCREW                   |     |     |     |     | 1   |      |
| 16 | 311.29-12   | 止动板    | STOP STIR BOARD         |     |     |     |     | 1   |      |
| 17 | 311.29-13   | 螺钉     | SCREW GB65-85 M3×6      |     |     |     |     | 2   |      |
| 18 | 311.29-14   | 螺钉     | SCREW                   |     |     |     |     | 6   |      |
| 19 | 311.29-15   | 轴套     | BUSHING                 |     |     |     |     | 1   |      |
| 20 | 311.29-16   | 螺钉     | SCREW GB80-85 M6×0.75×5 |     |     |     |     | 2   |      |
| 21 | 311.29-17   | 螺钉     | SCREW M6×8              |     |     |     |     | 1   |      |
| 22 | 311.29-18   | 离合器    | CLUTCH                  |     |     |     |     | 2   |      |
| 23 | 311.29-19   | 弹簧     | SPRING                  |     |     |     |     | 12  |      |
| 24 | 311.29-20   | 导向板组件  | GUIDE FAVOR BOARD       |     |     |     |     | 6   |      |
| 25 | 311.29-21   | 销      | PIN                     |     |     |     |     | 6   |      |
| 26 | 311.29-22   | 止动板    | STOP STIR BOARD         |     |     |     |     | 1   |      |
| 27 | 311.29-24   | 销      | PIN                     |     |     |     |     | 1   |      |
| 28 | 311.29-25   | 螺钉     | SCREW SM11/64x40        |     |     |     |     | 1   |      |
| 29 | 311.29-26   | 垫圈     | WASHER                  |     |     |     |     | 1   |      |
| 30 | 311.29-27   | 螺钉     | SCREW GB80-85 M5×5      |     |     |     |     | 1   |      |
| 31 | 311.29-28   | 盖 (组件) | ABOUT ASM.              |     |     |     |     | 1   |      |
| 32 | 311.29-28-1 | 盖      | ABOUT                   |     |     |     |     | 1   |      |
| 33 | 311.29-28-2 | 盖      | ABOUT                   |     |     |     |     | 1   |      |
| 34 | 311.29-29   | 螺钉     | SCREW GB818-85 M4×10    |     |     |     |     | 2   |      |

30. 专用部件 (6) SPECIFIC PARTS (SIX)

500B-05

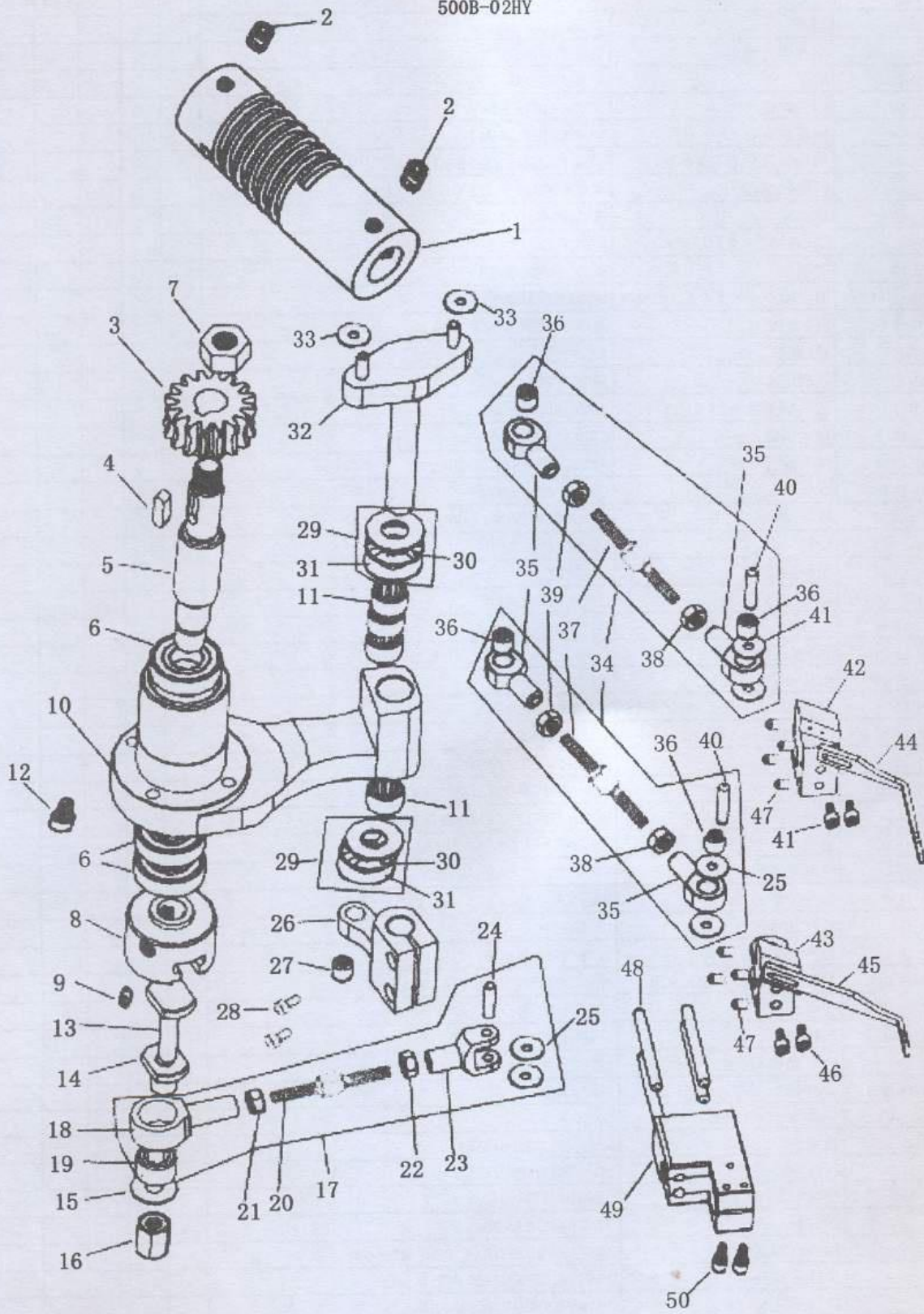


## 三十、专用部件 (6) SPECIFIC PARTS (SIX)

| 序号 | 图号          | 名称    | DESIGNATION          | -01 | -02 | -03 | -04 | -05 | 02HY |
|----|-------------|-------|----------------------|-----|-----|-----|-----|-----|------|
| 1  | 311.30-01   | 花边导向器 | LACE LEAD FAVER WARE |     |     |     | 1   | 1   |      |
| 2  | 311.30-02   | 螺钉    | SCREW                |     |     |     | 2   | 2   |      |
| 3  | 311.30-03   | 螺钉    | SCREW GB818-85 M4×8  |     |     |     | 5   | 5   |      |
| 4  | 311.30-04   | 垫圈    | WASHER               |     |     |     | 2   | 2   |      |
| 5  | 311.30-05   | 轴组件   | SHAFT ASM.           |     |     |     |     | 1   |      |
| 6  | 311.30-05-1 | 轴     | SHAFT                |     |     |     |     | 1   |      |
| 7  | 311.30-05-2 | 螺钉    | SCREW M5×5           |     |     |     |     | 1   |      |
| 8  | 311.30-05-3 | 垫圈    | WASHER               |     |     |     |     | 1   |      |
| 9  | 311.30-05-4 | 卡簧    | RETAINING RING       |     |     |     |     | 1   |      |
| 10 | 311.30-05-2 | 螺钉    | SCREW M5×5           |     |     |     |     | 2   |      |
| 11 | 311.30-06   | 花边导向器 | LACE LEAD FAVER WARE |     |     |     |     | 1   |      |
| 12 | 311.30-07   | 导向器   | LEAD FAVER WARE      |     |     |     |     | 1   |      |
| 13 | 311.30-09   | 滑块    | BLOCK                |     |     |     |     | 2   |      |
| 14 | 311.30-10   | 螺钉    | SCREW SM3/32x56      |     |     |     |     | 2   |      |
| 15 | 311.30-11   | 支架    | BAR ROCK SHAFT       |     |     |     |     | 1   |      |
| 16 | 311.30-12   | 轴套    | BUSHING              |     |     |     |     | 2   |      |
| 17 | 311.30-13   | 支架    | BAR ROCK SHAFT       |     |     |     |     | 1   |      |
| 18 | 311.30-14   | 螺钉    | SCREW M6×14          |     |     |     |     | 4   |      |
| 19 | 311.30-16   | 螺钉    | SCREW                |     |     |     |     | 1   |      |
| 20 | 311.30-17   | 调节螺母  | NUT                  |     |     |     |     | 1   |      |
| 21 | 311.30-18   | 弹簧    | SPRING               |     |     |     |     | 1   |      |
| 22 | 311.30-19   | 轴     | SHAFT                |     |     |     |     | 1   |      |
| 23 | 311.30-20   | 卡簧    | RETAINING RING       |     |     |     |     | 1   |      |
| 24 | 311.30-21   | 滚柱组件  | ROLL MAST ASM.       |     |     |     |     | 1   |      |
| 25 | 311.30-22   | 螺钉    | SCREW                |     |     |     |     | 4   |      |
| 26 | 311.30-23   | 支架    | BAR ROCK SHAFT       |     |     |     |     | 1   |      |
| 27 | 311.30-24   | 止动片   | STOP STIR PIECE      |     |     |     |     | 1   |      |
| 28 | 311.30-25   | 螺钉    | SCREW GB818-85 M4×10 |     |     |     |     | 1   |      |
| 29 | 311.30-27   | 支架组件  | BAR ROCK SHAFT ASM.  |     |     |     |     | 1   |      |
| 30 | 311.30-28   | 螺栓    | BOLT                 |     |     |     |     | 1   |      |
| 31 | 311.30-29   | 弹簧垫圈  | WASHER               |     |     |     |     | 1   |      |
| 32 | 311.30-30   | 螺母    | NUT M4               |     |     |     |     | 1   |      |
| 33 | 311.30-31   | 花边导向器 | LACE LEAD FAVER WARE |     |     |     |     | 1   |      |
| 34 | 311.30-32   | 螺钉    | SCREW M3×3           |     |     |     |     | 2   |      |
| 35 | 311.30-33   | 花边导向器 | LACE LEAD FAVER WARE |     |     |     |     | 1   |      |
| 36 | 311.30-35   | 轴     | SHAFT                |     |     |     |     | 1   |      |
| 37 | 311.30-36   | 杠杆    | HAND LIFTER LINK     |     |     |     |     | 1   |      |
| 38 | 311.30-37   | 螺钉    | SCREW M3×6           |     |     |     |     | 2   |      |
| 39 | 311.30-38   | 垫圈    | WASHER               |     |     |     |     | 2   |      |
| 40 | 311.30-39   | 支架    | BAR ROCK SHAFT       |     |     |     |     | 2   |      |
| 41 | 311.30-40   | 螺钉    | SCREW M5×5           |     |     |     |     | 4   |      |
| 42 | 311.30-41   | 滚柱    | ROLL MAST            |     |     |     |     | 1   |      |
| 43 | 311.30-42   | 轴     | SHAFT                |     |     |     |     | 1   |      |

31. 专用部件 (1) SPECIFIC PARTS (ONE)

500B-02HY



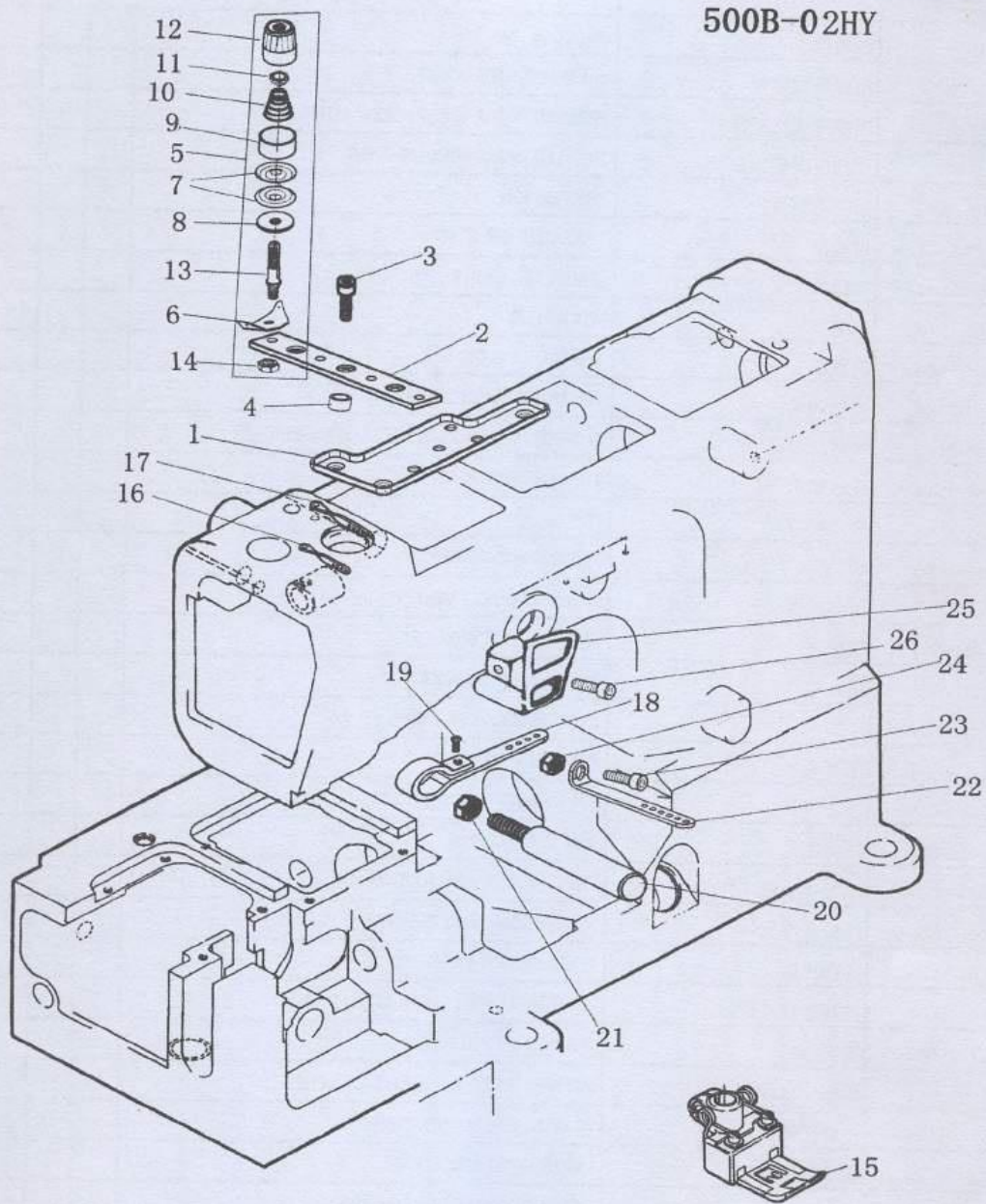


## 三十一、专用部件(1) SPECIFIC PARTS (ONE)

| 序号 | 图号           | 名称                | DESIGNATION                                        | -01 | -02 | -03 | -04 | -05 | 02HY |
|----|--------------|-------------------|----------------------------------------------------|-----|-----|-----|-----|-----|------|
| 1  | 338.01-01    | 蜗杆                | WORM                                               |     |     |     |     |     | 1    |
| 2  | 338.01-01-01 | 蜗杆紧定螺钉            | WORM FIXING NUT M6×8                               |     |     |     |     |     | 6    |
| 3  | 338.01-02    | 蜗轮                | WORM WHEEL                                         |     |     |     |     |     | 1    |
| 4  | 338.01-03    | 蜗轮花键              | WORM WHEEL SPLINE                                  |     |     |     |     |     | 1    |
| 5  | 338.01-04    | 蜗轮轴               | WORM WHEEL SHAFT                                   |     |     |     |     |     | 1    |
| 6  | 338.01-05    | 蜗轮轴轴承 φ15X φ32X9  | WORM WHEEL SHAFT BEARING                           |     |     |     |     |     | 3    |
| 7  | 338.01-06    | 蜗轮轴螺母             | WORM WHEEL SHAFT NUT M12×1.25                      |     |     |     |     |     | 1    |
| 8  | 338.01-07    | 偏心轮               | ECCENTRICITY WHEEL                                 |     |     |     |     |     | 1    |
| 9  | 338.01-07-01 | 偏心轮紧定螺钉           | ECCENTRICITY WHEEL FIXING SCREW M8×12              |     |     |     |     |     | 3    |
| 10 | 338.01-08    | 支架架               | SUPPORTING STAND                                   |     |     |     |     |     | 1    |
| 11 | 338.01-08-01 | 滚针轴承 φ12X φ16X10  | NEEDLE BEARING                                     |     |     |     |     |     | 4    |
| 12 | 338.01-08-02 | 支架固定螺钉            | STAND FIXING SCREW M6×20                           |     |     |     |     |     | 4    |
| 13 | 338.01-09    | 摆动销A              | SWING PIN A                                        |     |     |     |     |     | 1    |
| 14 | 338.01-10    | 摆动销B              | SWING PIN B                                        |     |     |     |     |     | 1    |
| 15 | 338.01-11    | 摆动销垫片 φ8X φ21X1   | SWING PIN WASHER                                   |     |     |     |     |     | 1    |
| 16 | 338.01-12    | 摆动销螺母             | SWING WASHER NUT M8×1                              |     |     |     |     |     | 1    |
| 17 | 338.01-13    | 摆动连杆组件            | SWING CONNECTING ROD ASM                           |     |     |     |     |     | 1    |
| 18 | 338.01-13-01 | 连杆A               | CONNECTING ROD                                     |     |     |     |     |     | 1    |
| 19 | 338.01-13-02 | 连杆A轴承             | CONNECTING ROD BEARING                             |     |     |     |     |     | 1    |
| 20 | 338.01-13-03 | 拉杆                | LEVER                                              |     |     |     |     |     | 1    |
| 21 | 338.01-13-04 | 拉杆螺母              | LEVER NUT                                          |     |     |     |     |     | 1    |
| 22 | 338.01-13-05 | 拉杆螺母(左旋)          | LEVER NUT (LEFT)                                   |     |     |     |     |     | 1    |
| 23 | 338.01-13-06 | 连杆B               | CONNECTING ROD B                                   |     |     |     |     |     | 1    |
| 24 | 338.01-13-07 | 连杆B连接销            | CONNECTING ROD B CONNECTING PIN                    |     |     |     |     |     | 1    |
| 25 | 338.01-13-08 | 垫片 φ5X φ15X1      | WASHER                                             |     |     |     |     |     | 2    |
| 26 | 338.01-14    | 摆动曲柄              | SWING CRANK                                        |     |     |     |     |     | 1    |
| 27 | 338.01-14-01 | 滚针轴承 φ5X φ9X9     | NEEDLE BEARING                                     |     |     |     |     |     | 1    |
| 28 | 338.01-15    | 摆动曲柄螺钉            | SWING CRANK SCREW M5X16                            |     |     |     |     |     | 2    |
| 29 | 338.01-16    | 平面推力滚针组件          | HORIZONTAL PUSHING NEEDLE BEARING ASM              |     |     |     |     |     | 2    |
| 30 | 338.01-16-01 | 平面推力滚针            | HORIZONTAL PUSHING NEEDLE BEARING                  |     |     |     |     |     | 2    |
| 31 | 338.01-16-02 | 推力滚针垫片 φ12X φ26X1 | PUSHING NEEDLE BEARING WASHER                      |     |     |     |     |     | 4    |
| 32 | 338.01-17    | 摆动轴组件             | SWING SHAFT ASM                                    |     |     |     |     |     | 1    |
| 33 | 338.01-18    | 垫片 φ5X φ15X1      | WASHER                                             |     |     |     |     |     | 2    |
| 34 | 338.01-19    | 拉杆组件              | LEVER ASM                                          |     |     |     |     |     | 2    |
| 35 | 338.01-19-01 | 拉杆接头              | LEVER CONNECTOR                                    |     |     |     |     |     | 4    |
| 36 | 338.01-19-02 | 拉杆接头滚针 φ5X φ9X9   | LEVER CONNECTOR NEEDLE BEARING                     |     |     |     |     |     | 4    |
| 37 | 338.01-19-03 | 拉杆                | LEVER                                              |     |     |     |     |     | 2    |
| 38 | 338.01-19-04 | 拉杆螺母              | LEVER NUT                                          |     |     |     |     |     | 2    |
| 39 | 338.01-19-05 | 拉杆螺母(右旋)          | LEVER NUT (RIGHT)                                  |     |     |     |     |     | 2    |
| 40 | 338.01-19-06 | 拉杆销               | LEVER PIN                                          |     |     |     |     |     | 2    |
| 41 | 338.01-19-07 | 垫片 φ5X φ15X1      | WASHER                                             |     |     |     |     |     | 4    |
| 42 | 338.01-20    | 拨线座A              | DRAWING THREAD SET A                               |     |     |     |     |     | 1    |
| 43 | 338.01-21    | 拨线座B              | DRAWING THREAD SET B                               |     |     |     |     |     | 1    |
| 44 | 338.01-22    | 拨线杆A              | DRAWING THREAD BAR A                               |     |     |     |     |     | 1    |
| 45 | 338.01-23    | 拨线杆B              | DRAWING THREAD BAR B                               |     |     |     |     |     | 1    |
| 46 | 338.01-24    | 拨线杆固定螺钉           | DRAWING THREAD BAR FIXING SCREW M3×10              |     |     |     |     |     | 4    |
| 47 | 338.01-25    | 拨线座螺钉             | DRAWING THREAD SET SCREW M4X6                      |     |     |     |     |     | 8    |
| 48 | 338.01-26    | 拨线座定位销            | DRAWING THREAD POSION PIN                          |     |     |     |     |     | 4    |
| 49 | 338.01-27    | 拨线座定位块            | DRAWING THREAD SET POSION PLATE                    |     |     |     |     |     | 1    |
| 50 | 338.01-28    | 拨线座定位块固定螺钉        | DRAWING THREAD SET POSION PLATE FIXING SCREW M4×25 |     |     |     |     |     | 2    |

# 32. 专用部件 (2) SPECIFIC PARTS (TWO)

500B-02HY

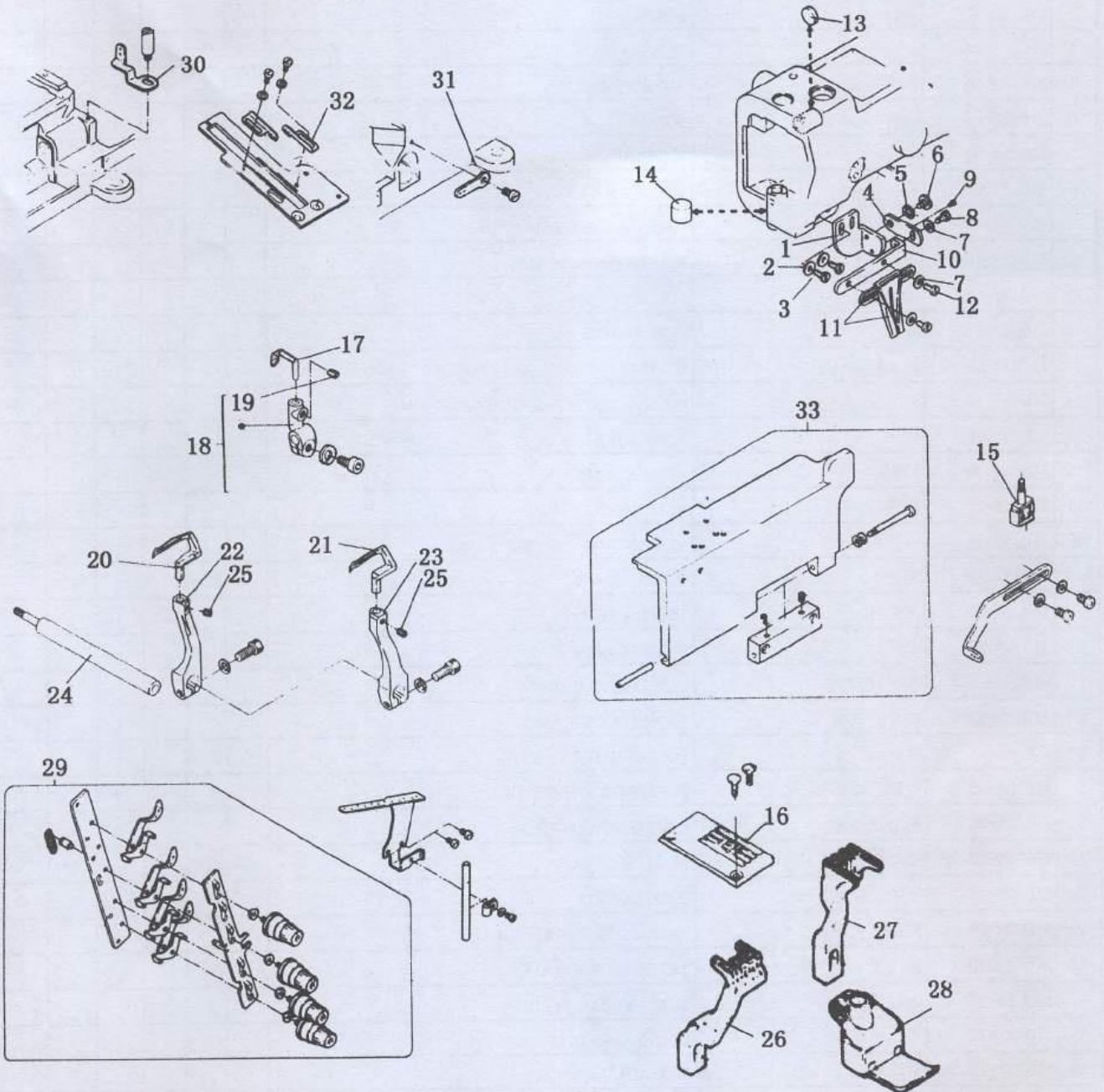


## 三十二、专用部件(2) SPECIFIC PARTS (TWO)

| 序号 | 图号           | 名称        | DESIGNATION                                | -01 | -02 | -03 | -04 | -05 | 02HY |
|----|--------------|-----------|--------------------------------------------|-----|-----|-----|-----|-----|------|
| 1  | 338.01-29    | 小油盘       | SMALL OIL PAN                              |     |     |     |     |     | 1    |
| 2  | 338.01-30    | 压线座固定架    | PRESS FIXING BRACKET                       |     |     |     |     |     | 1    |
| 3  | 338.01-31    | 压线座固定架螺钉  | PRESS FIXING BRACKET SCREW M5×16           |     |     |     |     |     | 1    |
| 4  | 338.01-32    | 压线座固定架垫片  | PRESS FIXING BRACKET WASHER                |     |     |     |     |     | 3    |
| 5  | 338.01-33    | 压线器组件     | PRESSER ASM                                |     |     |     |     |     | 4    |
| 6  | 338.01-33-01 | 过线板       | THREAD GUIDE PLATE                         |     |     |     |     |     | 4    |
| 7  | 338.01-33-02 | 夹线板       | THREAD TENSION PLATE                       |     |     |     |     |     | 8    |
| 8  | 338.01-33-03 | 羊毛毡       | WOOL FELT                                  |     |     |     |     |     | 4    |
| 9  | 338.01-33-04 | 夹线座       | THREAD TENSION SET                         |     |     |     |     |     | 4    |
| 10 | 338.01-33-05 | 夹线弹簧      | THREAD TENSION SPRING                      |     |     |     |     |     | 4    |
| 11 | 338.01-33-06 | 夹线防松圈     | THREAD TENSION PROTECT LOOSING RING        |     |     |     |     |     | 4    |
| 12 | 338.01-33-07 | 夹线螺母      | THREAD TENSION SCREW                       |     |     |     |     |     | 4    |
| 13 | 338.01-33-08 | 夹线螺钉      | NUT                                        |     |     |     |     |     | 4    |
| 14 | 338.01-33-09 | 螺母        | PRESSER FOOT COMPLETE M4                   |     |     |     |     |     | 4    |
| 15 | 338.01-34    | 压脚组件      | PRESSER FOOT COMPLETE                      |     |     |     |     |     | 1    |
|    | 338.01-34-01 | 压脚座       | PRESSER FOOT BRACKET                       |     |     |     |     |     | 1    |
|    | 338.01-34-02 | 压杆座       | PRESSER BAR BRACKET                        |     |     |     |     |     | 1    |
|    | 338.01-34-03 | 压脚        | PRESSER FOOT COMPLETE                      |     |     |     |     |     | 1    |
|    | 338.01-34-04 | 压脚压板      | PRESSER FOOT PLATE                         |     |     |     |     |     | 1    |
|    | 338.01-34-05 | 压脚接头      | PRESSER FOOT CONNECTOR                     |     |     |     |     |     | 1    |
|    | 338.01-34-06 | 压脚销       | PRESSER FOOT PIN                           |     |     |     |     |     | 1    |
|    | 338.01-34-07 | 压脚接头销     | PRESSER FOOT CONNECTION PIN                |     |     |     |     |     | 1    |
|    | 338.01-34-08 | 压杆座弹簧     | PRESSER BAR BRACKET SPRING                 |     |     |     |     |     | 1    |
|    | 338.01-34-09 | 压脚压簧      | PRESSER FOOT PRESS SPING                   |     |     |     |     |     | 1    |
|    | 338.01-34-10 | 压杆座调节螺钉   | PRESSER BAR SET REGULATING SCREW           |     |     |     |     |     | 1    |
|    | 338.01-34-11 | 压簧螺钉      | PRESSER SPRING SCREW                       |     |     |     |     |     | 2    |
|    | 338.01-34-12 | 压脚压板螺钉    | PRESSER FOOT PRESSING PLATE SCREW          |     |     |     |     |     | 1    |
|    | 338.01-34-13 | 压杆座销紧定螺钉  | PRESSER BAR FIXING SCREW                   |     |     |     |     |     | 1    |
|    | 338.01-34-14 | 调节螺钉螺母    | REGULATING SCREW NUT                       |     |     |     |     |     | 1    |
| 16 | 338.01-35    | 上过线勾A     | UPPER THREAD GUIDE FINGER A                |     |     |     |     |     | 2    |
| 17 | 338.01-36    | 上过线勾B     | UPPER THREAD GUIDE FINGER B                |     |     |     |     |     | 1    |
| 18 | 338.01-37    | 下过线勾A     | LOWER THREAD GUIDE FINGER A                |     |     |     |     |     | 1    |
| 19 | 338.01-38    | 下过线勾A螺钉   | LOWER THREAD GUIDE FINGER A SCREW M4×8     |     |     |     |     |     | 1    |
| 20 | 338.01-39    | 下过线勾A支柱   | LOWER THREAD GUIDE FINGER A STAND          |     |     |     |     |     | 1    |
| 21 | 338.01-40    | 下过线勾A支柱螺母 | LOWER THREAD GUIDE FINGER A STAND SCREW M4 |     |     |     |     |     | 1    |
| 22 | 338.01-41    | 下过线勾B     | LOWER THREAD GUIDE FINGER B                |     |     |     |     |     | 1    |
| 23 | 338.01-42    | 下过线勾B螺钉   | LOWER THREAD GUIDE FINGER B SCREW M4×8     |     |     |     |     |     | 1    |
| 24 | 338.01-43    | 下过线勾B螺母   | LOWER THREAD GUIDE FINGER B SCREW M4       |     |     |     |     |     | 1    |
| 25 | 338.01-44    | 挑线杆防护罩    | THREAD TAKE-UP LEVER SHAFT SHIELD          |     |     |     |     |     | 1    |
| 26 | 338.01-45    | 螺钉        | SCREW M4×12                                |     |     |     |     |     | 2    |

33 专用部件 (1) SPECIFIC PARTS (ONE)

500B-04



三十三、专用部件 (1) SPECIFIC PARTS (ONE)

| 序号 | 图号        | 名称      | DESIGNATION                          | -01 | -02 | -03 | -04 | -05 | 02HY |
|----|-----------|---------|--------------------------------------|-----|-----|-----|-----|-----|------|
| 1  | 310.33-01 | 卷边龙头支座  | FOLDER BRACKET                       |     |     |     | 1   |     |      |
| 2  | 310.33-02 | 垫片      | WASHER                               |     |     |     | 2   |     |      |
| 3  | 310.33-03 | 螺钉      | SCREW                                |     |     |     | 2   |     |      |
| 4  | 310.33-04 | 侧板      | SIDE PLATE                           |     |     |     | 1   |     |      |
| 5  | 310.33-05 | 鞍型垫圈    | WAVE WASHER                          |     |     |     | 1   |     |      |
| 6  | 310.33-06 | 螺钉      | SCREW                                |     |     |     | 1   |     |      |
| 7  | 310.33-07 | 垫片      | WASHER                               |     |     |     | 3   |     |      |
| 8  | 310.33-08 | 外六角螺钉   | SCREW M4×6                           |     |     |     | 1   |     |      |
| 9  | 310.33-09 | 定位螺钉    | ORIENTATION SCREW                    |     |     |     | 1   |     |      |
| 10 | 310.33-10 | 卷边龙头固定板 | FOLDER FIXING PLATE                  |     |     |     | 1   |     |      |
| 11 | 310.33-11 | 卷边龙头    | FOLDER                               |     |     |     | 1   |     |      |
| 12 | 310.33-12 | 螺钉      | SCREW M4×6                           |     |     |     | 2   |     |      |
| 13 | 310.33-13 | 绷针横轴油塞  | OIL SEAL FOR SPREADER CROSSING SHAFT |     |     |     | 1   |     |      |
| 14 | 310.33-14 | 绷针竖轴油堵  | OIL SEAL FOR SPREADER UPRINAT SHAFT  |     |     |     | 1   |     |      |
| 15 | 310.33-15 | 针夹      | NEEDLE HOLDER                        |     |     |     | 1   |     |      |
| 16 | 310.33-16 | 针板      | NEEDLE PLATE                         |     |     |     | 1   |     |      |
| 17 | 310.33-17 | 后保针     | REAR NEEDLE GUARD                    |     |     |     | 1   |     |      |
| 18 | 310.33-18 | 保针座     | NEEDLE GUARD BASE                    |     |     |     | 1   |     |      |
| 19 | 310.33-19 | 螺钉      | SCREW M4×4                           |     |     |     | 1   |     |      |
| 20 | 310.33-20 | 左弯针     | LEFT LOOPER                          |     |     |     | 1   |     |      |
| 21 | 310.33-21 | 右弯针     | RIGHT LOOPER                         |     |     |     | 1   |     |      |
| 22 | 310.33-22 | 左弯针曲柄   | LEFT LOOPER CRANK                    |     |     |     | 1   |     |      |
| 23 | 310.33-23 | 右弯针曲柄   | RIGHT LOOPER CRANK                   |     |     |     | 1   |     |      |
| 24 | 310.33-24 | 弯针轴     | LOOPER SHAFT                         |     |     |     | 1   |     |      |
| 25 | 310.33-25 | 弯针刀槽螺钉  | LOOPER GROOVE SCREW                  |     |     |     | 2   |     |      |
| 26 | 310.33-26 | 差动送布牙   | DIFFERENTIAL FEED DOG                |     |     |     | 1   |     |      |
| 27 | 310.33-27 | 主动送布牙   | MAIN FEED DOG                        |     |     |     | 1   |     |      |
| 28 | 310.33-28 | 压脚 (组件) | PRESSER FOOT                         |     |     |     | 1   |     |      |
| 29 | 310.33-29 | 夹线器大组件  | THREAD TENSION SPRING ARM.           |     |     |     | 1   |     |      |
| 30 | 310.33-30 | 过线板     | THREAD GUIDE PLATE                   |     |     |     | 1   |     |      |
| 31 | 310.33-31 | 过线板     | THREAD GUIDE PLATE                   |     |     |     | 1   |     |      |
| 32 | 310.33-32 | 下过线板    | LOWER THREAD GUIDE PLATE             |     |     |     | 2   |     |      |
| 33 | 310.33-33 | 穿线罩板    | THREAD GUIDE PLATE                   |     |     |     | 1   |     |      |



**Sun Special.**<sup>®</sup>

Qualidade e Tecnologia

[www.sunspecial.com.br](http://www.sunspecial.com.br)

R DA GRACA 573 577 01125-001 BOM RETIRO SAO PAULO.