

J 96868

6800

DIRECT-DRIVE HIGH-SPEED OVERLOCK SEWING MACHINE
WITH AN AUTOMATIC THREAD TRIMMER

直驱自动切线高速包缝机

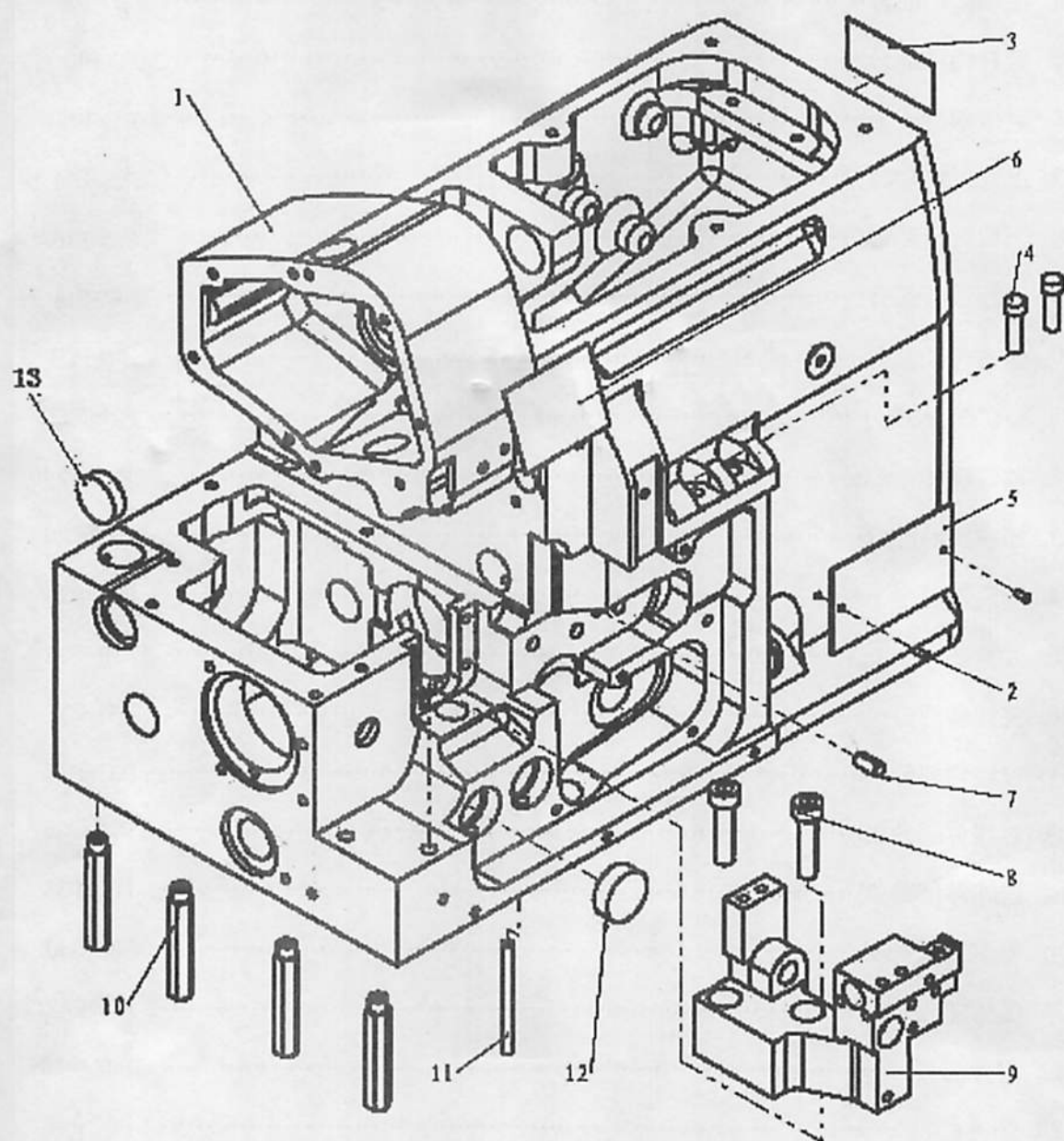
SS 6814T-03/UTC/AK-CF

零件手册

PARTS BOOK

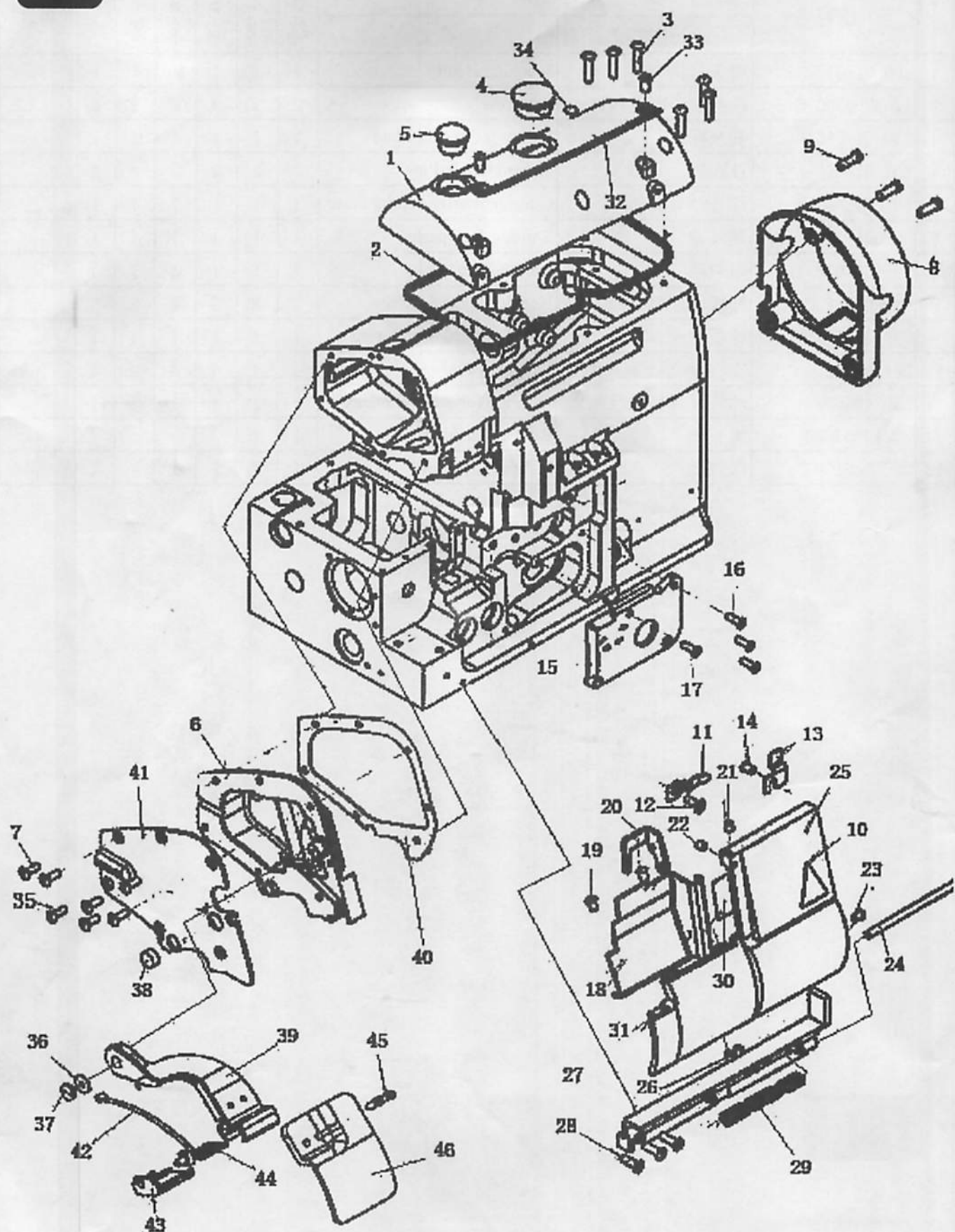
目 录

1. 机壳部分	P1-P2
2. 密封部分(1)	P3-P4
3. 密封部分(2)	P5-P6
4. 主轴传动部分	P7-P8
5. 针杆传动部分	P9-P10
6. 针板部分	P11-P12
7. 上弯针传动部分	P13-P14
8. 下弯针传动部分	P15-P16
9. 针距调节部分	P17-P18
10. 送布传动部分	P19-P20
11. 剪切部分	P21-P22
12. 前弯针传动部分	P23-P24
13. 压布传动部分	P25-P26
14. 润滑部分	P27-P28
15. 油盘部分	P29-P30
16. 夹线器部分	P31-P32
17. 过线件部分(1)	P33-P34
18. 过线件部分(2)	P35-P36
19. 过线件部分(3)	P37-P38
20. 硅油装置部分	P39-P40
21. 压脚部分	P41-P42
22. 附件部分	P43-P46
23. 参考部件	P47-P48
24. SS6804(T)-82三线、SS6814(T)-83四线倒回缝(封口机)专用件	P49-P50
25. SS6804(T)-32R2手帕缝专用件	P51-P52
26. SS6814(T)-53肩带缝及SS6814(T)-54厚料肩带缝专用件	P53-P54
27. 自动感应器部分	P55-P60
28. 漏斗部分	P61-P64
29. PP系列专用件	P65-P66
30. SS6814TA-03KSC2/AK系列专用件	P67-P68



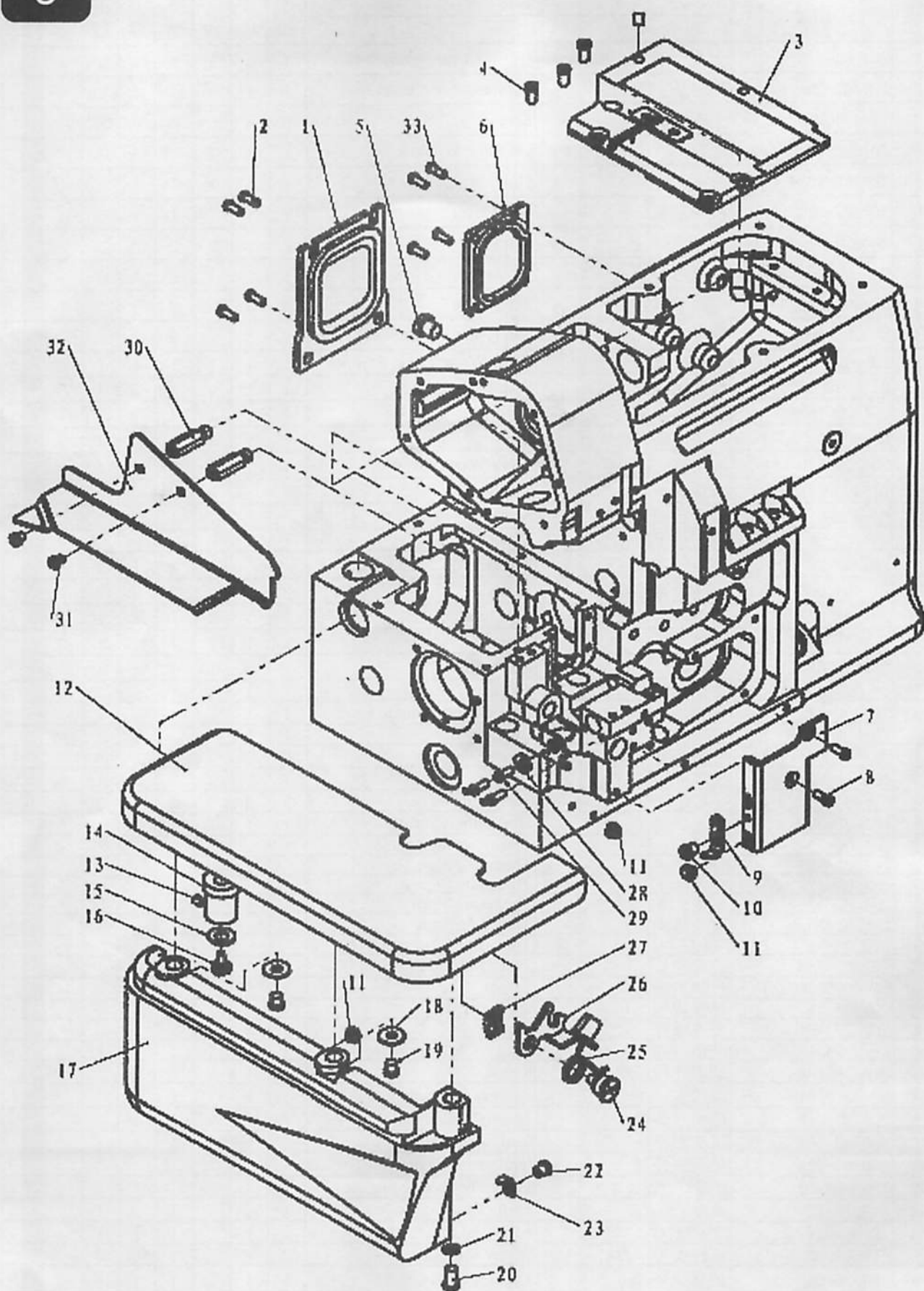
1. 机壳部分

序号	图号	名称		3 线	4 线	5 线	5 宽	5 厚	6 线	备注
		中文	英文							
1	260.01-01C	机头	Machine Head	1	1	1	1	1	1	
2	17-3200500-5	机身编码固定铆钉	Setscrew	2	2	2	2	2	2	
3	210.01-05G	安全标识	Safety-indicating Plate	1	1	1	1	1	1	
4	201.01-06G	过线管	Thread Guide Pipe	2	2	2	2	2	2	
5	H0-004	综合型号牌	Comprehensive Model Plate	1	1	1	1	1	1	
6	H0-002	笑脸贴	Smiling face paste	1	1	1	1	1	1	
7	15-1501005-1	限位销	Limited Pin	1	1	1	1	1	1	
8	01-506002524-1	针板固定螺钉	Needle Board Setscrew	2	2	2	2	2	2	
9	201.01-10	针板支座	Needle Board Supporting	1	1	1	1	1	1	
10	201.01-12	支柱	Support Pillar	4	4	4	4	4	4	
11	15-2404503-1	油管（弹性圆柱销）	Oil Pipe (elastic cylinder pin)	1	1	1	1	1	1	
12	22-19005500	橡胶帽	Rubber Cushion	1	1					
13	22-17405000	橡胶塞	Rubber Cushion	1	1	1	1	1	1	



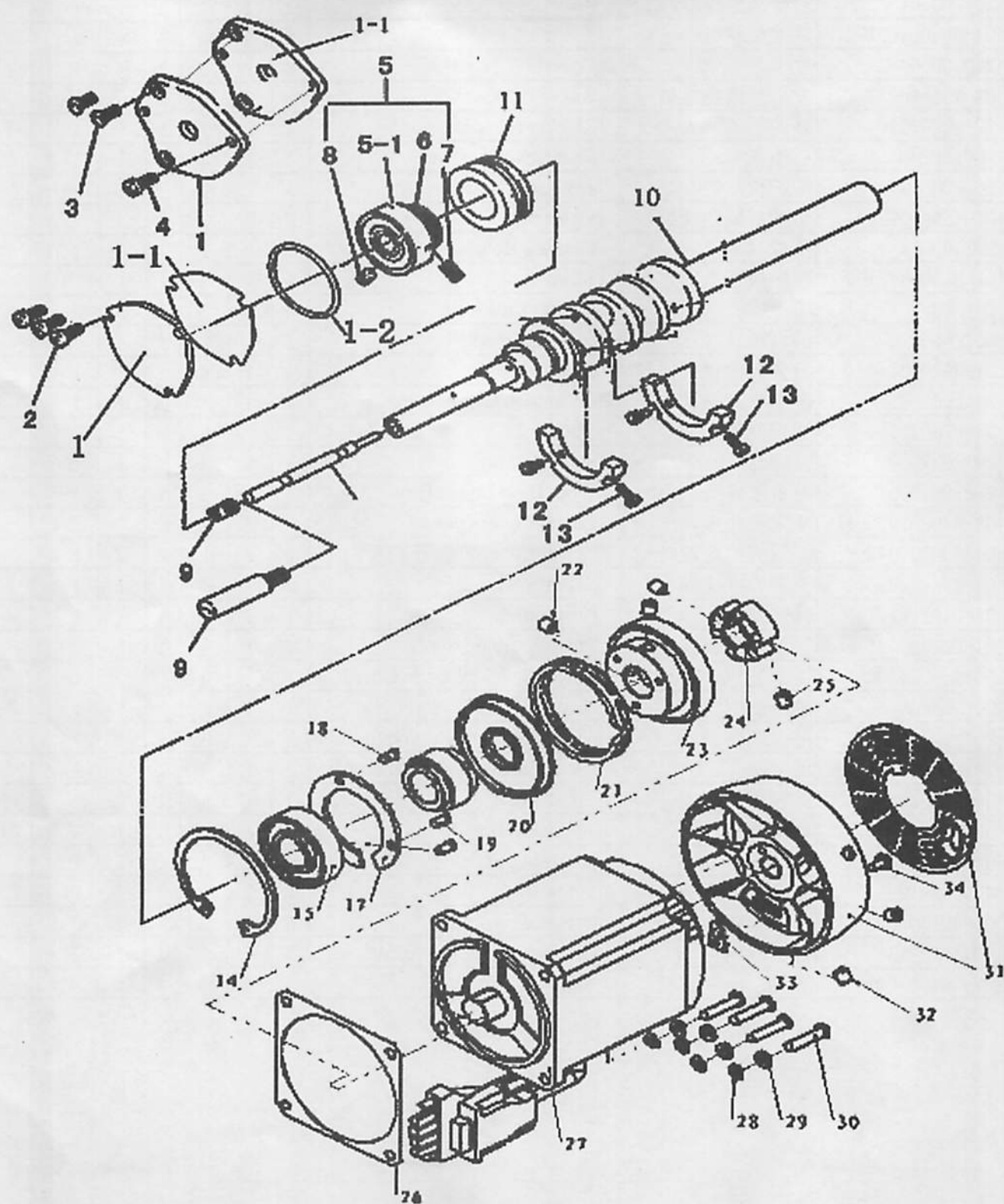
2. 密封部分(1)

序号	图号	名称		3 线	4 线	5 线	5 宽	5 厚	6 线	备注
		中文	英文							
1	201.02-01G	上盖	Upper Cover	1	1	1	1	1	1	
2	260.02-02A	油封垫	Oil Reservoir Gasket	1	1	1	1	1	1	
3	01-404001623-1	上盖螺钉	Screw	6	6	6	6	6	6	
4	201.02-04	油窗	Oil Sight Window	1	1	1	1	1	1	
5	22-19807024	油塞	Oil Plug	1	1	1	1	1	1	
6	260.02-06C	机头左盖	Left Cover	1	1	1	1	1	1	
7	260.29-47	左盖螺钉	Screw	2	2	2	2	2	2	
8	210.02-08	电机罩	Motor Cover	1	1	1	1	1	1	
9	01-505001224-1	电机罩螺钉	Screw	3	3	3	3	3	3	
10	201.02-10	安全标识	Safety-indicating Plate	2	2	2	2	2	2	
11	201.02-13	前板锁紧舌	Cloth Waste Cover Stopper	1	1	1	1	1	1	
12	01-404000523-1	前盖板锁紧舌螺钉	Screw	1	1	1	1	1	1	
13	201.02-15	前盖板锁紧板	Cloth Waste Locket	1	1	1	1	1	1	
14	01-404000523-1	前盖板锁紧板螺钉	Screw	1	1	1	1	1	1	
15	201.02-17	前盖板	Cloth Waste Cover	1	1	1	1	1	1	
16	01-404001223-1	前盖板螺钉A	Screw	3	3	3	3	3	3	
17	01-604001421-1	前盖板螺钉B	Screw	1	1	1	1	1	1	
18	201.02-20	前盖板罩板	Cover	1	1					
	203.02-20	前盖板罩板	Cover			1	1	1	1	
19	01-404000623-1	前盖板罩板螺钉	Screw	2	2	2	2	2	2	
20	201.02-22	前盖板防转压板	Anti-rotating Clamp	1	1	1	1	1	1	
21	01-803000414-1	螺钉	Screw	1	1	1	1	1	1	
22	01-803001214-1	螺钉	Screw	1	1	1	1	1	1	
23	01-503000421-1	前盖板防转压板螺钉	Screw	1	1	1	1	1	1	
24	201.02-27	铰链销	Looper Cover Hinge Shaft	1	1	1	1	1	1	
25	201.02-28G1	前罩壳	Cover	1	1	1	1	1	1	
26	01-804000414-1	铰链销紧定螺钉	Screw	2	2	2	2	2	2	
27	201.02-30	前罩壳下铰链	Hinge	1	1	1	1	1	1	
28	01-404001223-1	下铰链螺钉	Screw	3	3	3	3	3	3	
29	201.02-32	铰链销弹簧	Hinge Shaft Spring	1	1	1	1	1	1	
30	201.02-33	穿线标识A	Threading Sign	1						
	202.02-33	穿线标识A	Threading Sign		1					
	203.02-33	穿线标识A	Threading Sign			1	1			
	204.02-33	穿线标识A	Threading Sign					1		
	206.02-33	穿线标识A	Threading Sign						1	
31	203.02-34	穿线标识B	Threading Sign			1	1	1	1	
32	201.02-35G	过线板A	Thread Guide Plate	1	1	1	1	1	1	
33	01-404000623-1	过线板螺钉	Screw	2	2	2	2	2	2	
34	201.02-37	油量标识	Oil Sign	1	1	1	1	1	1	
35	260.29-46	左盖螺钉	Screw	5	5	5	5	5	5	
36	08-0900313-1	波形垫圈	Elastic Cushion	1	1	1	1	1	1	
37	210.27-18A	切刀连杆销螺钉	Screw	1	1	1	1	1	1	
38	22-10705012	橡胶塞	RUBber Stopper	1	1	1	1	1	1	
39	260.26-01A	照明灯外罩	Led-light base	1	1	1	1	1	1	
40	260.02-40A	机头左盖垫	Sealing gasket	1	1	1	1	1	1	
41	260.02-41D	机头左外盖	left outside cover	1	1	1	1	1	1	
42	X-05-32/01	照明灯电源线	Light Connecting line	1	1	1	1	1	1	
43	246.26-02	照明灯外罩盖	Lamp Housing Cover	1	1	1	1	1	1	
44	JL-05/01	LED照明灯	LED Lighting	1	1	1	1	1	1	
45	01-50300821-1	圆柱头一字螺钉	Screw	2	2	2	2	2	2	
46	260.26-03	护目镜	Light Goggles	1	1	1	1	1	1	



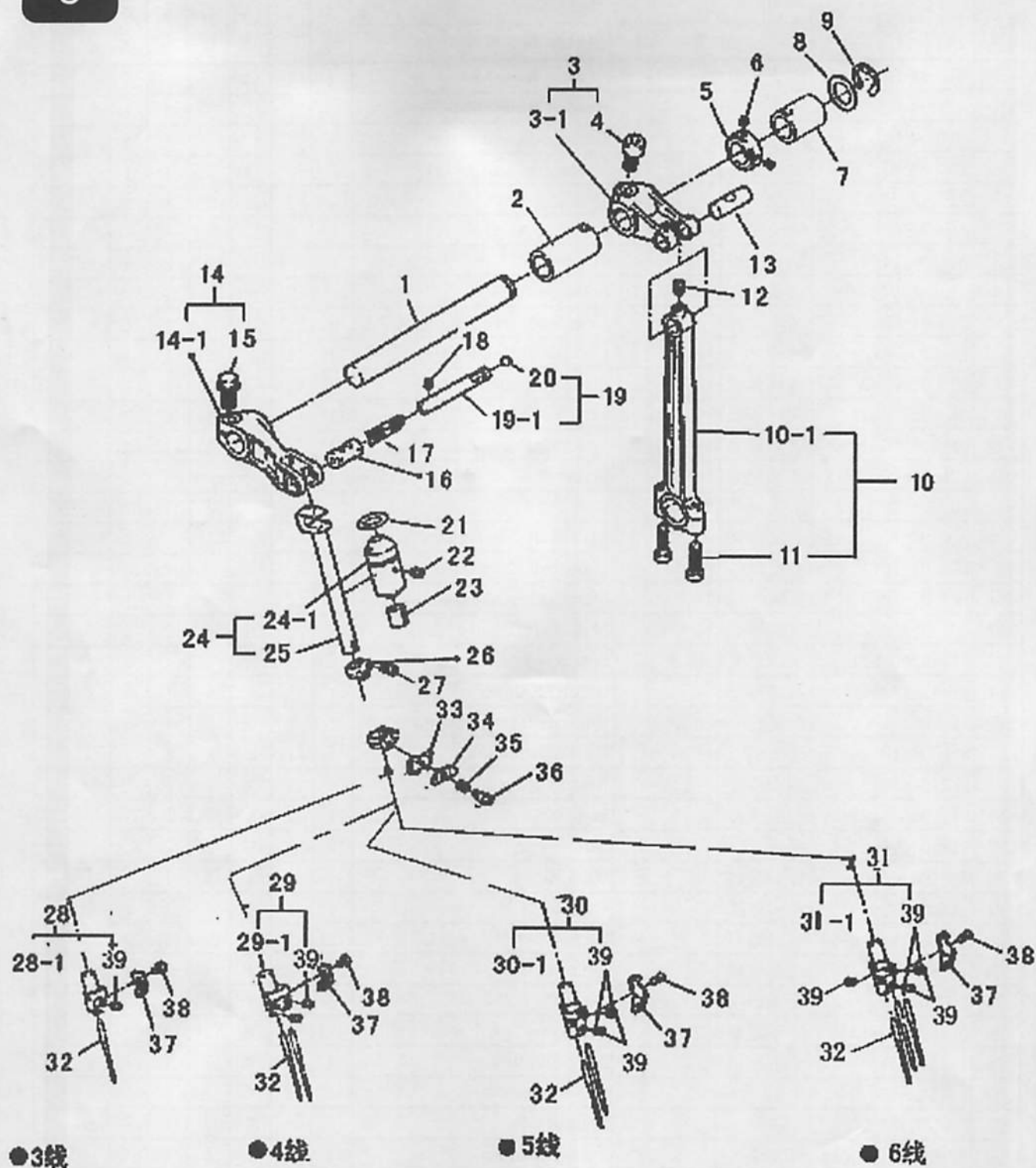
3. 密封部分(2)

序号	图号	名称		3 线	4 线	5 线	5 宽	5 厚	6 线	备注
		中文	英文							
1	201.03-01	后盖板组件	Rear Cover ASM	1	1	1	1	1	1	
2	01-504001021-1	后盖板螺钉	Screw	4	4	4	4	4	4	
3	260.03-03	左上盖	Cover	1	1	1	1	1	1	
4	01-704000821-1	左上盖固定螺钉	Screw	5	5	5	5	5	5	
5	22-08003010	橡胶塞	RUBber Stopper	1	1	1	1	1	1	
6	260.29-06	后盖板	Rear Cover	1	1	1	1	1	1	
7	201.03-12	防护板	protective board	1	1	1	1	1	1	
8	01-104000721-1	防护板固定螺钉	Setscrew	2	2	2	2	2	2	
9	201.03-14	压板	Pressure Board	1	1	1	1	1	1	
10	01-535000421-1	防护板压板固定螺钉	Screw	1	1	1	1	1	1	
11	201.03-16	防震塞	Rubber Cushion	3	3	3	3	3	3	
12	201.03-22G	缝台组件	Cloth Base ASM	1	1	1	1	1	1	
13	01-804000414-1	缝台转动轴固定螺钉	Screw	1	1	1	1	1	1	
14	201.03-24	缝台转动轴套	Eccentric Bushing	1	1	1	1	1	1	
15	08-0700311-1	波形弹性垫圈	Cushion	1	1	1	1	1	1	
16	201.03-08	台螺钉	Screw	1	1	1	1	1	1	
17	201.03-30G1	缝台下罩壳组件	Cloth Base Lower Cover ASM	1	1	1	1	1	1	
18	05-043201350-1	下罩壳垫圈	Lower Cover Gasket	2	2	2	2	2	2	
19	01-404000623-1	下罩壳固定螺钉A	Lower Cover Setscrew	2	2	2	2	2	2	
20	01-404002023-1	下罩壳固定螺钉B	Setscrew	1	1	1	1	1	1	
21	07-0421111-1	弹簧垫圈	Cushion	1	1	1	1	1	1	
22	01-503000421-1	下罩壳压板螺钉	Pressure Board Screw	1	1	1	1	1	1	
23	201.03-34	下罩壳压板	Lower Sover Pressure Board	1	1	1	1	1	1	
24	201.03-29	缝台闸固定螺钉	Screw	1	1	1	1	1	1	
25	201.03-28	缝台闸弹簧	Cloth Base Switch-type Spring	1	1	1	1	1	1	
26	201.03-27	缝台闸	Cloth Base Switch-type Stopper	1	1	1	1	1	1	
27	201.03-26	缝台闸固定板	Fix Board	1	1	1	1	1	1	
28	03-604000320-1	调节螺母	Adjusting Nut	1	1	1	1	1	1	
29	01-404001023-1	调节螺钉	Adjusting Screw	1	1	1	1	1	1	
30	201.03-19	导布板连接螺钉	Screw	2	2	2	2	2	2	
31	01-404000623-1	导布板紧固螺钉	Setscrew	2	2	2	2	2	2	
32	201.03-21A	导布板组件	Cloth Guide Board ASM	1	1	1	1	1	1	
33	01-504001021-1	圆柱头一字螺钉	Screw	4	4	4	4	4	4	



4. 主轴传动部分

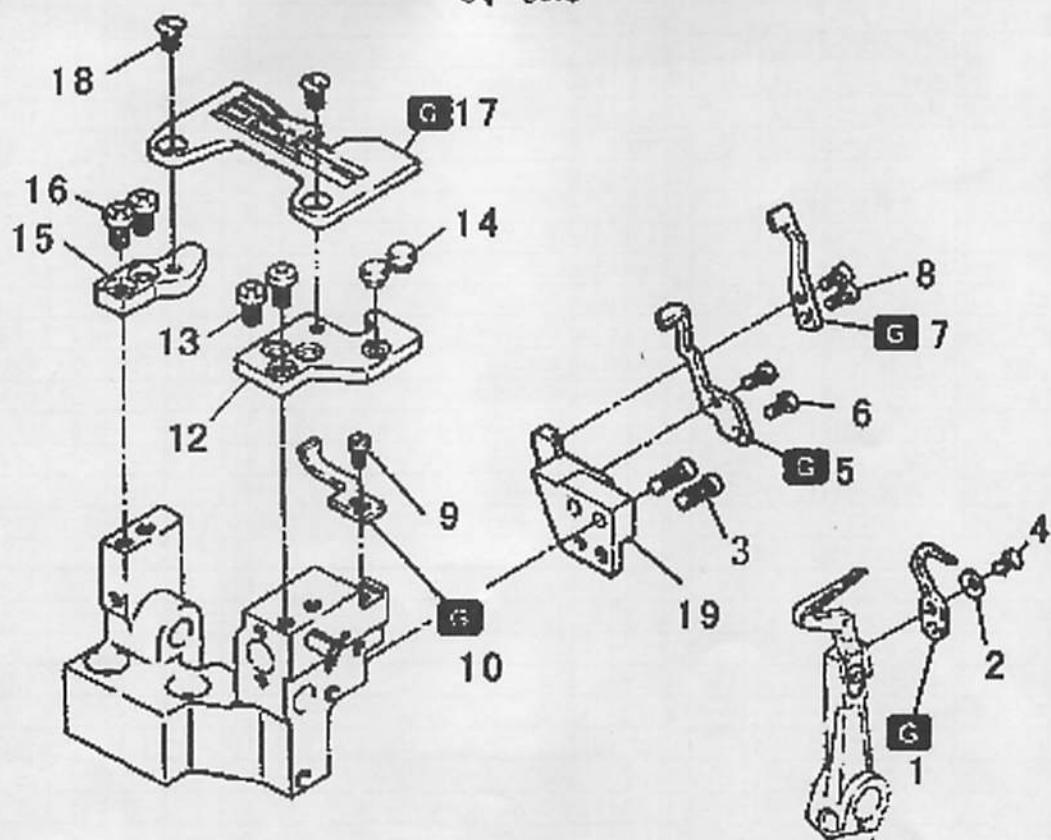
序号	图号	名称		3 线	4 线	5 线	5 宽	5 厚	6 线	备注
		中文	英文							
1	201.04-01G	轴承座组件	Bearing Base ASM	1	1					
	203.04-01G	轴承座组件	Bearing Base ASM			1	1	1	1	
1-1	201.04-01G-01	轴承盖密封垫	Bearing oil seal gasket	1	1					
	203.04-01G-01	轴承盖密封垫	Bearing oil seal gasket			1	1	1	1	
1-2	12-387265	O型圈	O-ring	1	1	1	1	1	1	
2	01-404000823-1	轴承座固定螺钉A	Setscrew A	3	3					
3	01-104001021-1	轴承座固定螺钉B	Setscrew B			2	2	2	2	
4	01-404001023-1	轴承座固定螺钉A	Setscrew A			1	1	1	1	
5	260.04-05	轴承组件	Crankshaft Ball Bearing ASM	1	1	1	1	1	1	
5-1	14-6202-2Z/1	轴承	Crankshaft Ball Bearing	(1)	(1)	(1)	(1)	(1)	(1)	
6	201.04-05-2	轴承套(外齿)	Shaft Bushing	(1)	(1)	(1)	(1)	(1)	(1)	
7	01-805001014-1	轴承紧套紧定螺钉A	Setscrew A	(1)	(1)	(1)	(1)	(1)	(1)	
8	01-805000514-1	轴承紧套紧定螺钉B	Setscrew B	(1)	(1)	(1)	(1)	(1)	(1)	
9	201.04-09	主轴端螺钉	Screw	1	1					
	203.04-09	凸轮轴	Cam Shaft			1	1	1		
10	260.04-10	主轴组件	Mainshaft Components	1	1	1	1		1	
	272.04-10	主轴组件	Mainshaft Components					1		
11	201.04-14	主轴中轴套	Mainshaft Bushing	1	1	1	1	1	1	
12	201.04-12	主轴平衡块	Mainshaft Balance Block	2	2	2	2	2	2	
13	01-503000821-1	主轴平衡块固定螺钉	Setscrew	4	4	4	4	4	4	
14	11-4251824-1	制动环	braking Ring	1	1	1	1	1	1	
15	14-6203	单列向心球滚珠轴承	Crankshaft Ball Bearing	1	1	1	1	1	1	
16	201.04-18	油量销	Oil Adjusting Bar	1	1	1	1	1	1	
17	210.04-30	轴承挡圈	Bearing Ring	1	1	1	1	1	1	
18	01-104000721-1	沉头螺钉	Screw	1	1	1	1	1	1	
19	01-504000621-1	螺钉	Screw	2	2	2	2	2	2	
20	13-16470530	骨架油封	Oil Seal	1	1	1	1	1	1	
21	260.04-28	波形垫圈	Cushion	1	1	1	1	1	1	
22	01-806751014-1	紧定螺钉	Screw	(2)	(2)	(2)	(2)	(2)	(2)	
23	14-6907-2RS/17	连体轴承	Bearing	1	1	1	1	1	1	
24	260.04-44	连轴器	Linker	1	1	1	1	1	1	
25	01-806000814-1	连轴器螺钉	Screw	(2)	(2)	(2)	(2)	(2)	(2)	
26	102.11-41	步进电机垫片	Motor Washer	1	1	1	1	1	1	
27	M0-05B-550/01	电机	Motor Asm	1	1	1	1	1	1	
28	05-056101000-4	平垫片	Washer	4	4	4	4	4	4	
29	07-0521313-1	弹簧垫片	Spring Washer	4	4	4	4	4	4	
30	01-505001624-1	直驱电机螺钉	Screw	4	4	4	4	4	4	
31	210.04-27G	手轮组件3#	Hand Wheel ASM 3#	1	1	1	1	1	1	
32	02-815281014-1	手轮螺钉	Screw	2	2	2	2	2	2	
33	103.13-107	磁钢座组件	Magnet Block	1	1	1	1	1	1	
34	18-404000823-3	三组合螺钉	Screw	1	1	1	1	1	1	



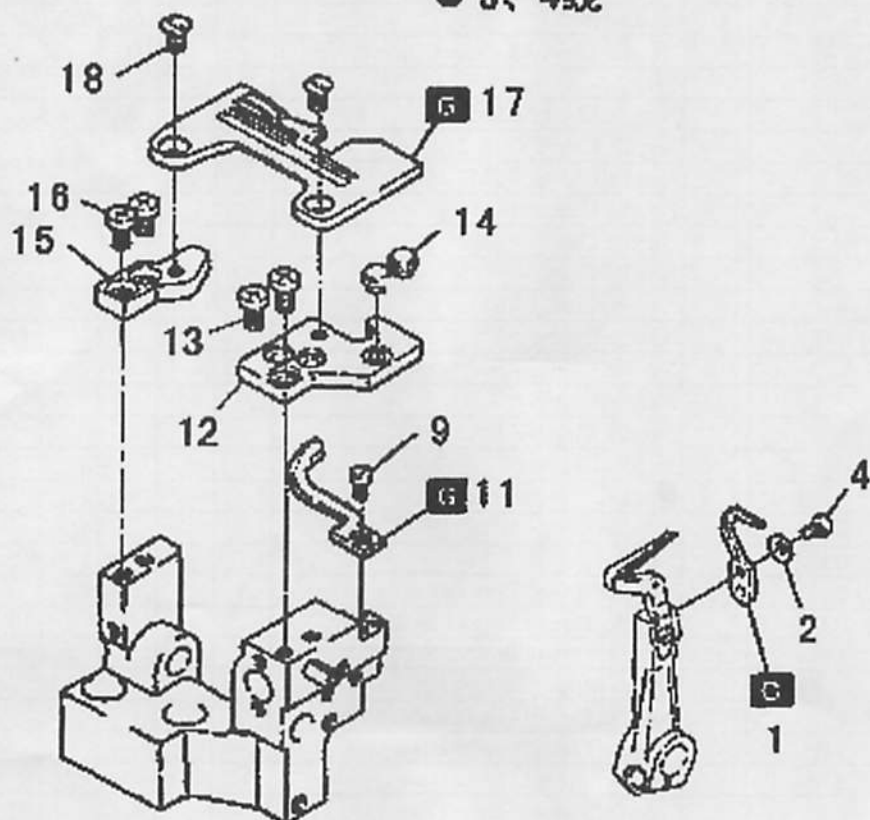
5. 针杆传动部分

序号	图号	名称		3 线	4 线	5 线	5 宽	5 厚	6 线	备注
		中文	英文							
1	201.05-01	针杆传动轴	Needle Rod Transmit Shaft	1	1	1	1	1	1	
2	201.05-02	机针传动轴前套筒	Front Bushing	1	1	1	1	1	1	
3	201.05-03	机针传动轴曲柄组件	Needle Rod Transmit Shaft Crank ASM	1	1	1	1	1	1	
3-1	201.05-03-01	机针传动轴曲柄	Needle Rod Transmit Shaft Crank	(1)	(1)	(1)	(1)	(1)	(1)	
4	01-506751224-1	机针传动轴曲柄螺钉	Screw	(1)	(1)	(1)	(1)	(1)	(1)	
5	201.05-05	轴箍	Thrust Collar	1	1	1	1	1	1	
6	01-804000414-1	挡圈紧固螺钉	Setscrew	2	2	2	2	2	2	
7	201.05-07	机针传动轴后套筒	Rear Bushing	1	1	1	1	1	1	
8	201.05-08	铜垫片	Copper Spacer	1	1	1	1	1	1	
9	06-0800816-1	卡簧	E-spring	1	1	1	1	1	1	
10	201.05-10	针杆连杆组件	Connecting Rod ASM	1	1	1	1	1	1	
10-1	201.05-10-01	针杆连杆	Connecting Rod	(1)	(1)	(1)	(1)	(1)	(1)	
11	01-404001623-1	针杆连杆螺钉	Connecting Rod Screw	(2)	(2)	(2)	(2)	(2)	(2)	
12	01-804000614-1	机针传动连杆紧固螺钉	Connecting Rod Setscrew	1	1	1	1	1	1	
13	201.05-13	销轴	Feed Branch Crank Pin	1	1	1	1	1	1	
14	201.05-14	针杆曲柄组件	Needle Rod Crank ASM	1	1	1	1	1	1	
14-1	201.05-14-01	针杆曲柄	Needle Rod Crank	(1)	(1)	(1)	(1)	(1)	(1)	
15	01-706751225-1	针杆传动摆杆螺钉	Screw	(1)	(1)	(1)	(1)	(1)	(1)	
16	201.05-16G	针杆连接销	Needle Driving ASM Pin	1	1	1	1	1	1	
17	201.05-17	油线 $\phi 3 \times 34$	Oil Wick	1	1	1	1	1	1	
18	01-804000414-1	紧固螺钉	Setscrew	1	1	1	1	1	1	
19	201.05-19	油管组件	Oil Pipe ASM	1	1	1	1	1	1	
19-1	201.05-19-01	油管	Oil Pipe	(1)	(1)	(1)	(1)	(1)	(1)	
20	201.05-19-02	钢珠 $\phi 4$	Steel Ball	(1)	(1)	(1)	(1)	(1)	(1)	
21	12-115150	O型圈	O-ring	1	1	1	1	1	1	
22	01-804000544-1	针杆套螺钉	Needle Rod Collar Screw	1	1	1	1	1	1	
23	201.05-23	毛毡	Felt	1	1	1	1	1	1	
24	201.05-24	针杆组件	Needle Rod ASM	1	1	1	1	1	1	
24-1	201.05-24-01	针杆轴套	Needle Rod Collar	(1)	(1)	(1)	(1)	(1)	(1)	
25	201.05-24-02	针杆	Needle Rod	(1)	(1)	(1)	(1)	(1)	(1)	
26	201.05-26	拦线板支架	Needle Thread Presser Guide	1	1	1	1	1	1	
27	01-903000621-1	固定螺钉	Setscrew	1	1	1	1	1	1	
28	201.05-28	针夹组件	Needle Clamp ASM	1						
28-1	201.05-28-01	针夹	Needle Clamp	(1)						
29	202.05-29	针夹组件	Needle Clamp ASM		1					
29-1	202.05-29-01	针夹	Needle Clamp		(1)					
30	203.05-30	针夹组件	Needle Clamp ASM			1				
30-1	203.05-30-01	针夹	Needle Clamp			(1)				
30	204.05-30	针夹组件	Needle Clamp ASM					1		
30-1	204.05-30-01	针夹	Needle Clamp					(1)		
30	205.05-30	针夹组件	Needle Clamp ASM				1			
30-1	205.05-30-01	针夹	Needle Clamp				(1)			
31	206.05-30	针夹组件	Needle Clamp ASM						1	
31-1	206.05-30-01	针夹	Needle Clamp						(1)	
32	201.05-32G	机针 (DC \times 27#11)	Needle	1	2					
	203.05-32	机针 (DC \times 27#14)	Needle			2	2		3	
	204.05-32	机针 (DC \times 27#21)	Needle					2		
33	201.05-33	拦线板 (A)	Needle Thread Presser Guide (A)	1	1	1	1	1	1	
34	201.05-34	拦线板 (B)	Needle Thread Presser Guide (B)	1	1	1	1	1	1	
35	201.05-35	拦线板弹簧	Needle Thread Presser Spring	1	1	1	1	1	1	
36	201.05-36	拦线板紧固螺钉	Hinge Screw	1	1	1	1	1	1	
37	201.05-37	机针穿线片	Needle Thread Guide Base	1						
	202.05-37	机针穿线片	Needle Thread Guide Base		1					
	203.05-37	机针穿线片	Needle Thread Guide Base			1	1		1	
	204.05-37	机针穿线片	Needle Thread Guide Base					1		
38	01-102000521-1	机针穿线片紧固螺钉	Setscrew			1	1	1	1	
	01-502000321-1	机针穿线片紧固螺钉	Setscrew	1	1					
39	01-803000314-1	针夹螺钉	Needle Clamp Screw	(1)	(2)	(2)	(2)	(2)	(3)	

● 5、6线

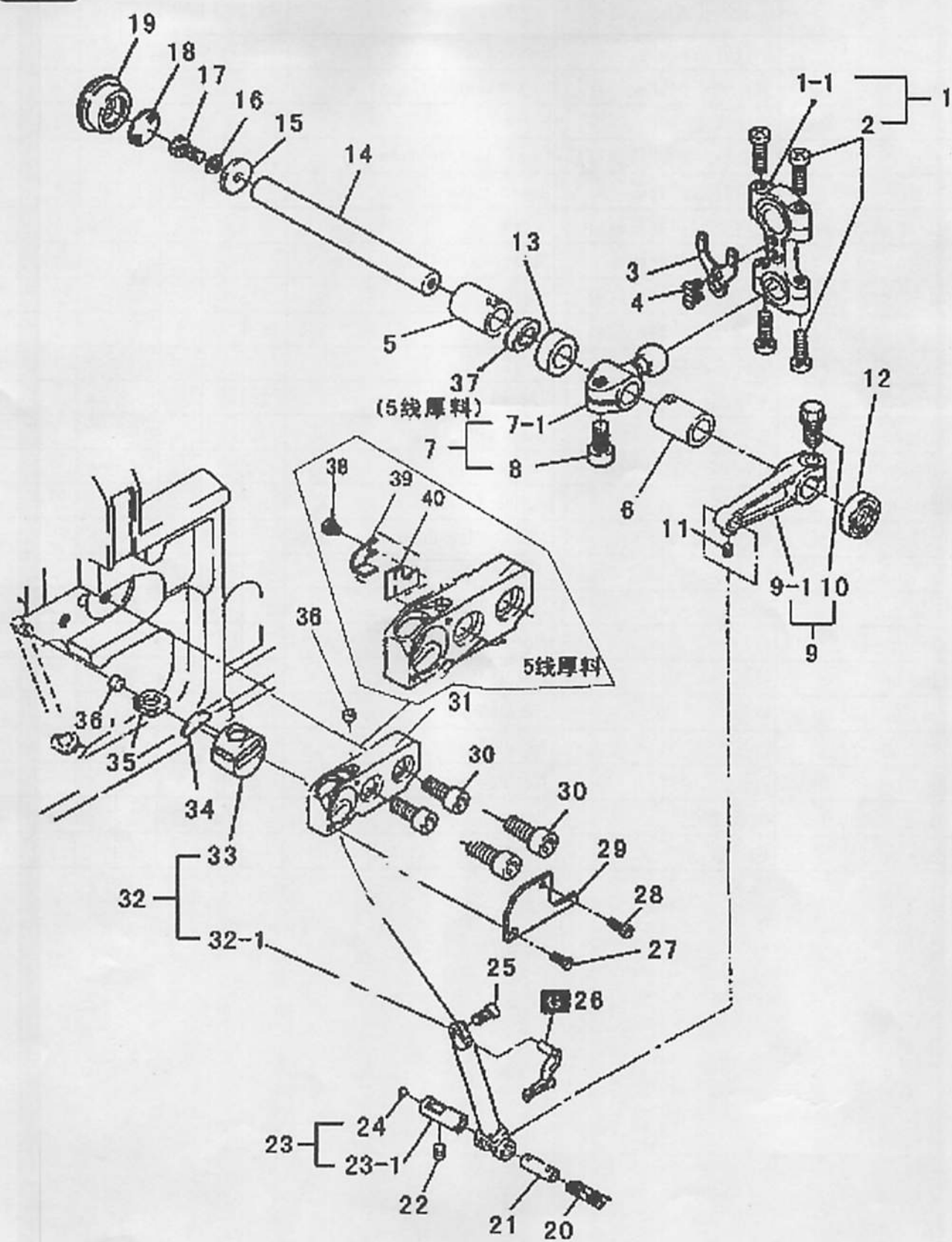


● 3、4线



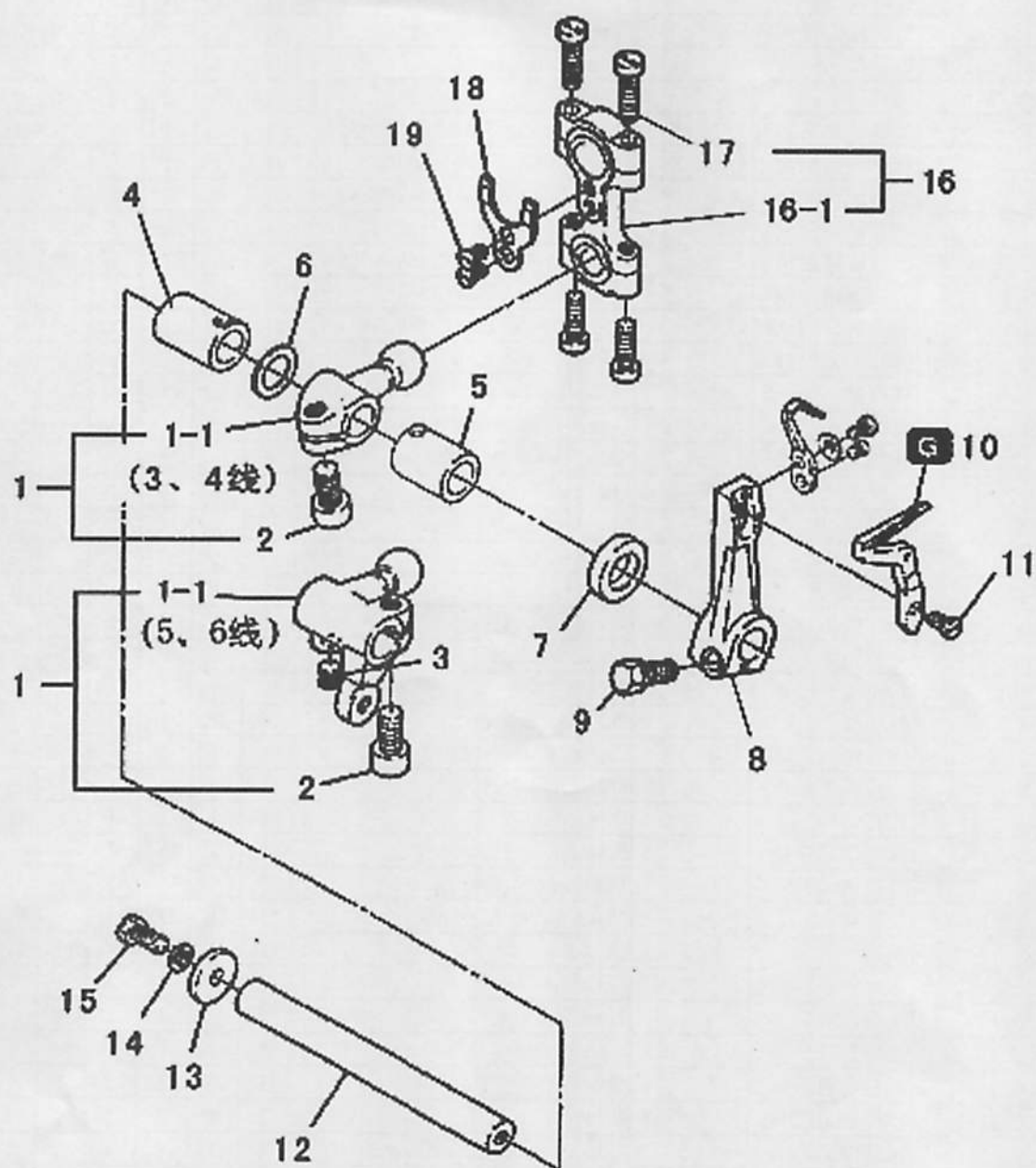
6. 针板部分

序号	图号	名称		3 线	4 线	5 线	5 宽	5 厚	6 线	备注
		中文	英文							
1	201.06-01	主直针后护针板	Lower Looper	1	1	1	1	1	1	
2	09-0330507-1	主直针后护针板垫片	Lower Looper Gasket	1	1	1	1	1	1	
3	01-904001021-1	护针板座螺钉	Screw			2	2	2	2	
4	01-703000521-1	主直针后护针板螺钉(B)	Lower Looper Screw (B)	1	1	1	1	1	1	
5	203.06-05	链直针后护针板	Roar Needle Guard			1	1	1	1	
6	01-503000621-1	链直针后护针板螺钉	Screw			2	2	2	2	
7	203.06-07	主直针前护针板	Front Needle Guard			1	1	1	1	
8	01-503000621-1	主直针前护针板螺钉	Screw			2	2	2	2	
9	01-504000821-1	主直针前护针板螺钉	Screw	1	1	1	1	1	1	
10	203.06-10	链针前护针板	Needle Guard			1	1	1	1	
11	201.06-11	主针前护针板	Thread Guide Upper	1	1					
12	201.06-12	针板座	Needle Plate Base	1	1	1	1	1	1	
13	01-404000823-1	针板座螺钉	Screw	2	2	2	2	2	2	
14	201.03-16	防震塞	Rubber Cushion	2	2	2	2	2	2	
15	201.06-15	针板定位块	Needle Plate Positioning Block	1	1	1	1	1	1	
16	01-404000823-1	针板定位块螺钉	Screw	2	2	2	2	2	2	
17	201.06-17	针板	Needle Plate	1						
	202.06-17	针板	Needle Plate		1					
	203.06-17	针板	Needle Plate			1				
	204.06-17	针板	Needle Plate				1			
	205.06-17	针板	Needle Plate					1		
	206.06-17	针板	Needle Plate						1	
18	01-204000821-2	针板螺钉	Screw	2	2	2	2	2	2	
19	203.06-19	护针板座	Needle Guard Plate Base			1	1	1	1	



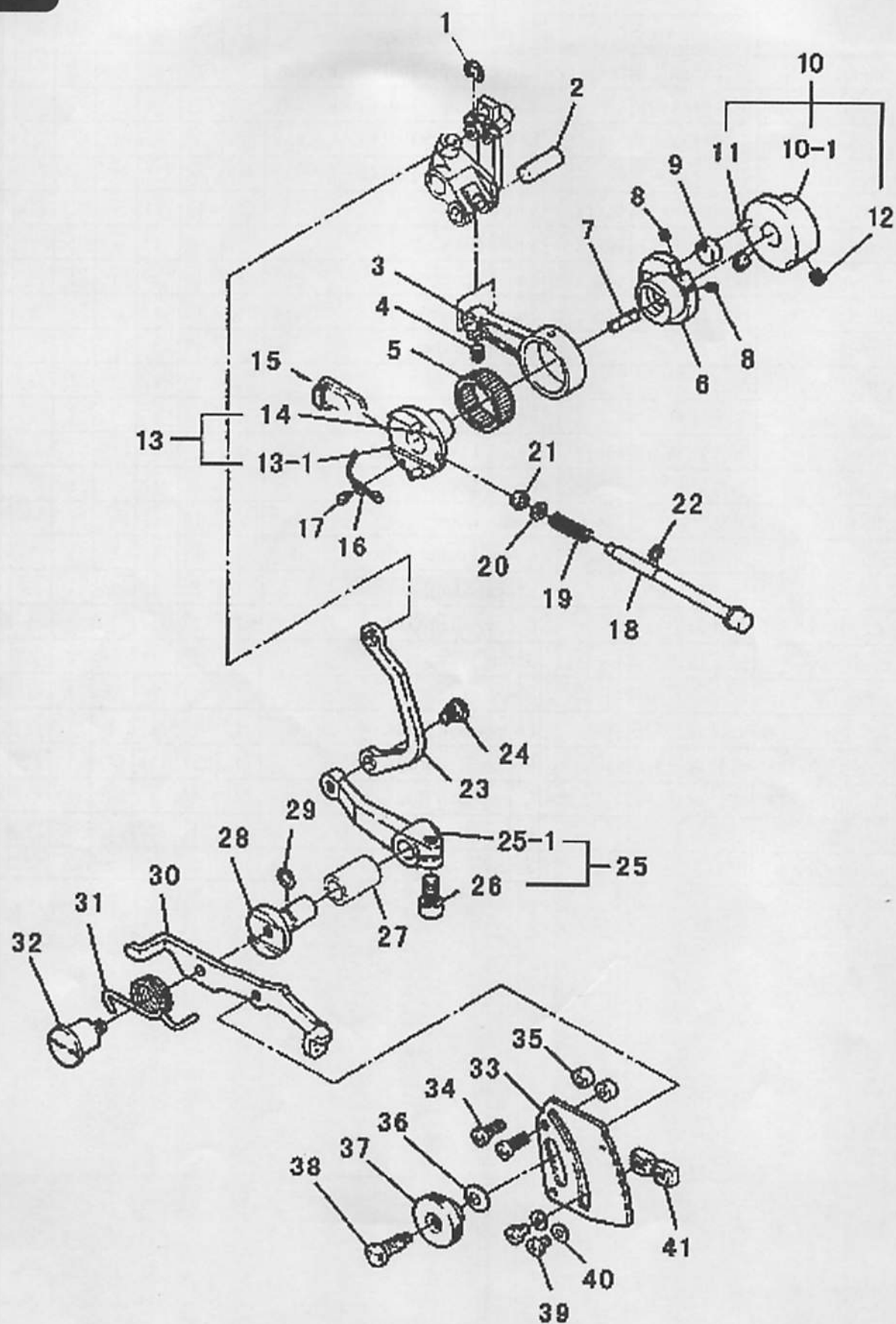
7. 上弯针传动部分

序号	图号	名称		3 线	4 线	5 线	5 宽	5 厚	6 线	备注
		中文	英文							
1	201.07-01	弯针球连杆组件	Looper Ball Connecting Rod ASM	1	1	1	1	1	1	
1-1	201.07-01-01	弯针球连杆	Looper Ball Connecting Rod	(1)	(1)	(1)	(1)	(1)	(1)	
2	01-404001623-1	弯针球连杆螺钉	Screw	(4)	(4)	(4)	(4)	(4)	(4)	
3	201.07-03	防震片	Rubber Cushion	1	1	1	1	1	1	
4	01-103000621-1	螺钉	Screw	2	2	2	2	2	2	
5	201.07-05	上弯针轴后轴套	Upper Looper Shaft Rear Bushing	1	1	1	1	1	1	
6	201.07-06	弯针轴前轴套	Looper Shaft Front Bushing	1	1	1	1	1	1	
7	201.07-07	上弯针球曲柄组件	Upper Looper Ball Crank ASM	1						
7-1	201.07-07-01	上弯针球曲柄	Upper Looper Ball Crank	(1)						
7	202.07-07	上弯针球曲柄组件	Upper Looper Ball Crank ASM		1	1	1	1	1	
7-1	202.07-07-01	上弯针球曲柄	Upper Looper Ball Crank		(1)	(1)	(1)	(1)	(1)	
8	01-506751224-1	上弯针球曲柄螺钉	Upper Looper Ball Crank Screw	(1)	(1)	(1)	(1)	(1)	(1)	
9	201.07-09	摇杆曲柄组件	Upper Looper Arm ASM	1	1	1	1	1	1	
9-1	201.07-09-01	摇杆曲柄	Upper Looper Arm	(1)	(1)	(1)	(1)	(1)	(1)	
10	01-706751225-1	螺钉	Screw	(1)	(1)	(1)	(1)	(1)	(1)	
11	01-803000444-1	连杆销固定螺钉	Setscrew	1	1	1	1	1	1	
12	13-09540190	油封	Oil Seal	1	1	1	1	1	1	
13	201.07-13	挡圈	Stopping Gasket	1		1	1	1		
	202.07-13	挡圈	Stopping Gasket		1				1	
14	201.07-14	弯针轴	Looper Shaft	1	1	1	1	1	1	
15	05-053201452-5	弯针轴垫片	Looper Shaft Washer	1	1	1	1	1	1	
16	07-0521313-1	弹簧垫圈	Spring Washer	1	1	1	1	1	1	
17	01-705001021-1	六角头开槽螺钉	Screw	1	1	1	1	1	1	
18	201.07-18	防油片	Oil Proof Spacer	1	1	1	1	1	1	
19	201.07-19	橡胶帽	Rubber Cap	1	1	1	1	1	1	
20	201.07-20	油线	Oil Thread	1	1	1	1	1	1	
21	201.07-21	连杆销轴	Gauge Fixing Pin	1	1	1	1	1	1	
22	01-804000414-1	机壳销紧定螺钉	Setscrew	1	1	1	1	1	1	
23	201.07-23	机壳销组件	Pin Components	1	1	1	1	1	1	
23-1	201.07-23-01	机壳销	Machine Pin	(1)	(1)	(1)	(1)	(1)	(1)	
24	201.07-23-02	钢球	Steel Ball	(1)	(1)	(1)	(1)	(1)	(1)	
25	01-935000621-1	上弯针紧定螺钉	Setscrew	1	1	1	1	1	1	
26	201.07-26	上弯针	Upper Looper	1		1	1	1		
	202.07-26	上弯针	Upper Looper		1				1	
27	01-125000621-1	挡板螺钉A	Screw A	1	1	1	1	1	1	
28	01-525000821-1	挡板螺钉B	Screw B	1	1	1	1	1	1	
29	201.07-29	摇杆座盖	Upper Looper Gange.Cover	1	1	1	1	1	1	
30	01-506001624-1	上弯针滑杆座螺钉	Screw	2	2	2	2	2	2	
31	201.07-31	摇杆座	Upper Looper Guide Support	1	1	1	1		1	
	204.07-31	摇杆座	Upper Looper Guide Support					1		
32	201.07-32G	摇杆组件	Upper Looper Holder ASM	1	1	1	1	1	1	
32-1	201.07-32-01	摇杆	Upper Looper Holder	(1)	(1)	(1)	(1)	(1)	(1)	
33	201.07-32-02	摆轴	Thrust Collar	(1)	(1)	(1)	(1)	(1)	(1)	
34	201.07-34	月牙毛毡	Crescent Moon Felt	1	1	1	1	1	1	
35	201.07-35	油毡	Felt	1	1	1	1	1	1	
36	201.07-36	油塞	Oil Plug	2	2	2	2	2	2	
37	204.07-37	挡圈	Stopping Gasket					1		
38	01-503000421-1	螺钉M3X4	Screw					1		
39	201.07-39	挡片	Thrust					1		
40	201.07-40	毛毡	Felt					1		



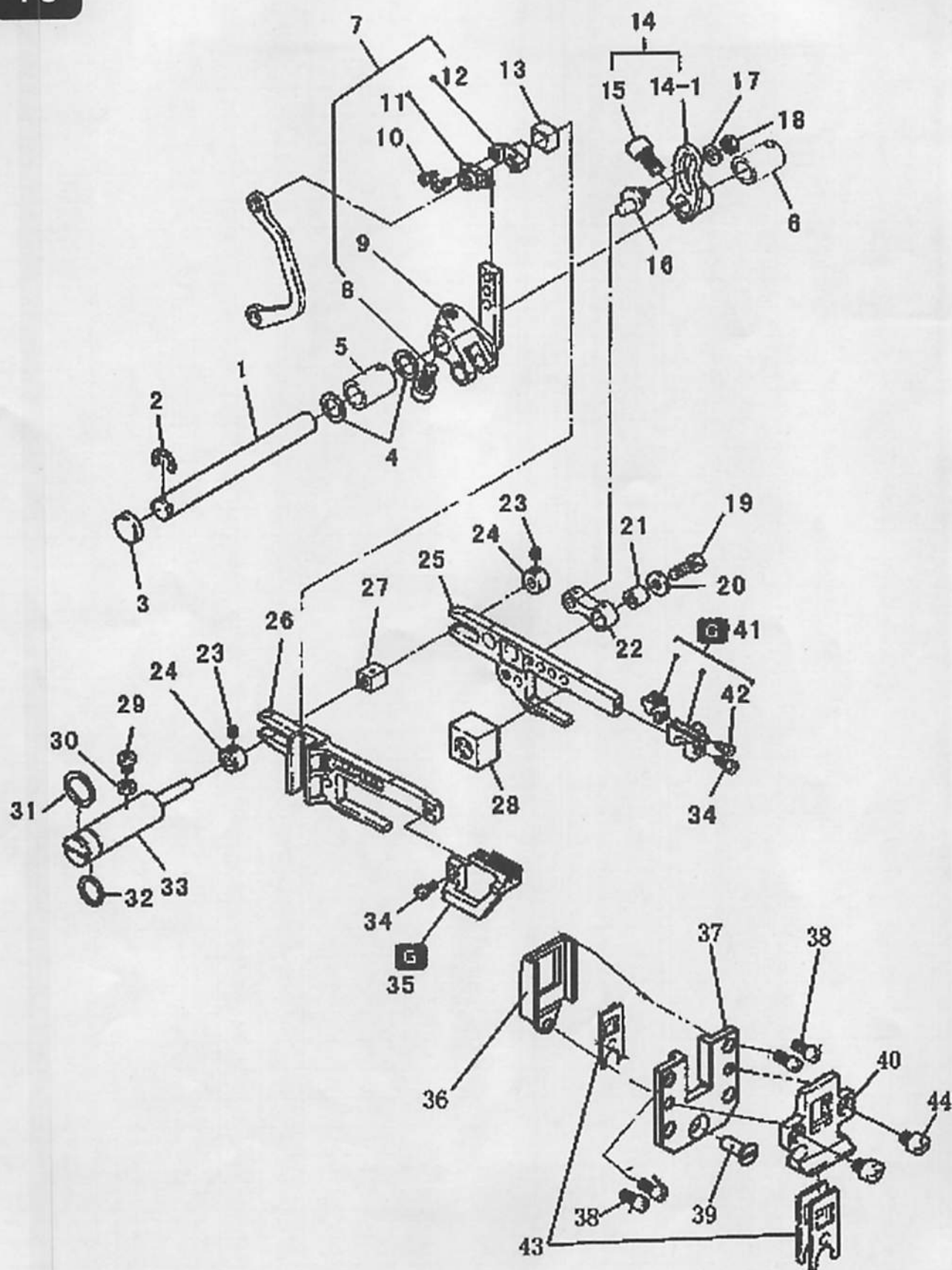
8. 下弯针传动部分

序号	图号	名称		3 线	4 线	5 线	5 宽	5 厚	6 线	备注
		中文	英文							
1	201.08-01	下弯针球曲柄组件	Lower Looper Ball Crank ASM	1	1					
1-1	201.08-01-01	下弯针球曲柄	Lower Looper Ball Crank	(1)	(1)					
1	203.08-01	下弯针球曲柄组件	Lower Looper Ball Crank ASM			1	1	1	1	
1-1	203.08-01-01	下弯针球曲柄	Lower Looper Ball Crank			(1)	(1)	(1)	(1)	
2	01-506751224-1	下弯针球曲柄螺钉(A)	Screw (A)	(1)	(1)	(1)	(1)	(1)	(1)	
3	01-805000514-1	下弯针球曲柄螺钉(B)	Screw (B)			1	1	1	1	
4	201.07-06	弯针球曲柄后铜套	Rear Copper Collar	1	1	1	1	1	1	
5	201.07-06	弯针球曲柄前铜套	Front Copper Collar	1	1	1	1	1	1	
6	201.08-06	铜垫片	Copper Gasket	1	1					
7	13-09540190	油封	Oil Seal	1	1	1	1	1	1	
8	201.08-08A	下弯针架	Lower Looper Bracket	1	1	1	1	1	1	
9	01-705001325-1	下弯针架固定螺钉	Lower Looper Bracket Setscrew	1	1	1	1	1	1	
10	201.08-10	下弯针	Lower Looper	1		1	1	1	1	
	202.08-10	下弯针	Lower Looper		1					
11	01-535000621-1	下弯针固定螺钉	Lower Looper Setscrew	1	1	1	1	1	1	
12	201.07-14	弯针轴	Looper Shaft	1	1	1	1	1	1	
13	05-053201452-5	弯针轴垫片	Looper Shaft Gasket	1	1	1	1	1	1	
14	07-0521313-1	弹簧垫圈	Spring Washer	1	1	1	1	1	1	
15	01-705001021-1	六角头开槽螺钉	Screw	1	1	1	1	1	1	
16	201.07-01	弯针球连杆组件	Looper Ball Rod Components	1	1	1	1	1	1	
16-1	201.07-01-01	弯针球连杆	Looper Ball Rod	(1)	(1)	(1)	(1)	(1)	(1)	
17	01-404001623-1	弯针球连杆螺钉	Looper Ball Rod Screw	(4)	(4)	(4)	(4)	(4)	(4)	
18	201.07-03	防震片	Rubber Cushion	1	1	1	1	1	1	
19	01-103000621-1	螺钉	Screw	2	2	2	2	2	2	



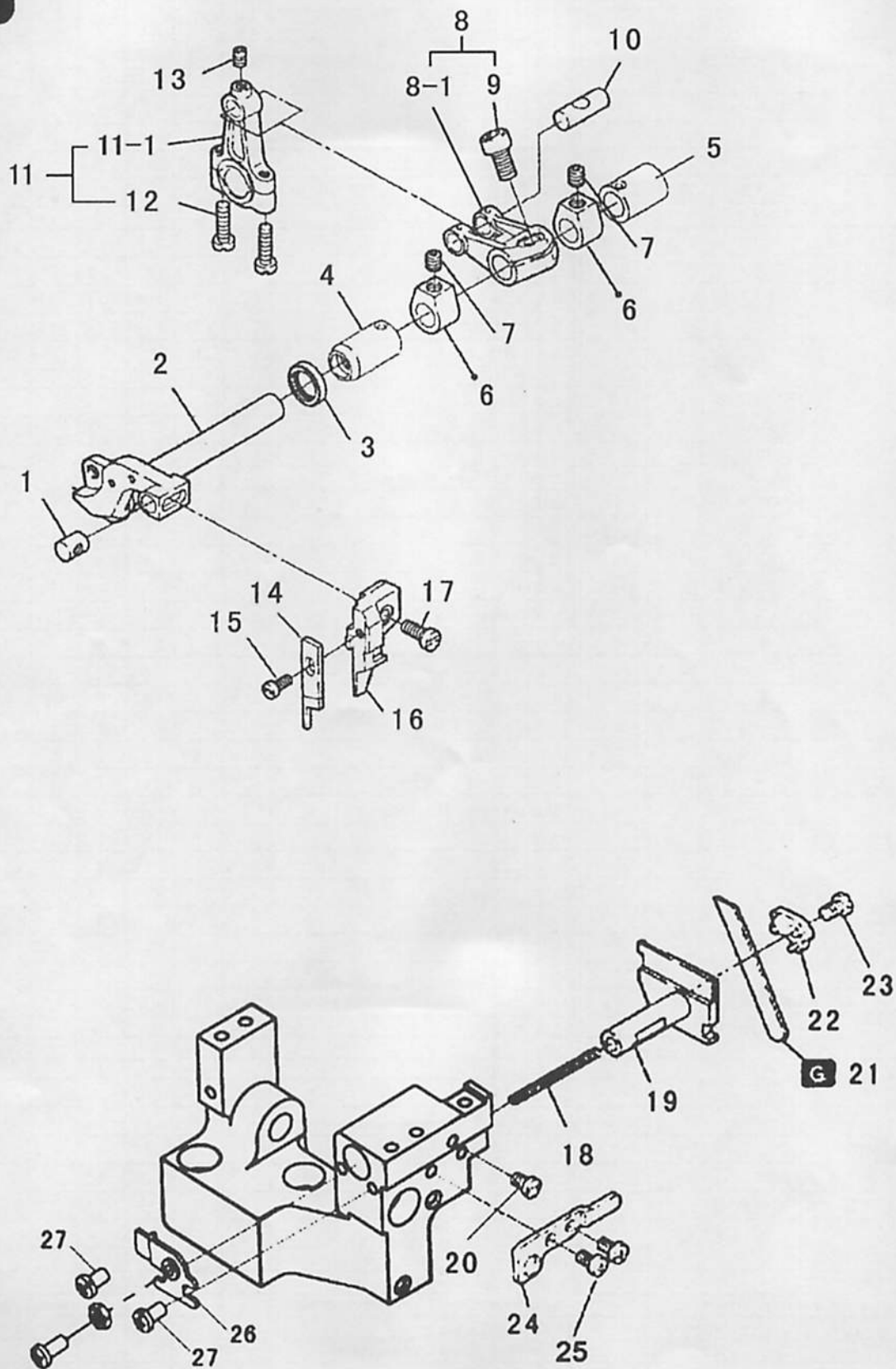
9. 针距调节部分

序号	图号	名称		3 线	4 线	5 线	5 宽	5 厚	6 线	备注
		中文	英文							
1	06-0600812-1	轴用挡圈	Gasket	1	1	1	1	1	1	
2	201.05-13	销轴	Pin	1	1	1	1	1	1	
3	201.09-03	送布连杆	Feeding Connecting Rod	1	1	1	1	1	1	
4	01-804000614-1	送布连杆紧固螺钉	Setscrew	1	1	1	1	1	1	
5	14-K222610	送布连杆滚针轴承	Feeding Needle Bearing	1	1	1	1	1	1	
6	201.09-06	针距凸轮	Cam	1	1	1	1	1	1	
7	201.09-07	弹簧片	Spring	1	1	1	1	1	1	
8	01-803000414-1	内六角紧定螺钉	Hexagon Setscrew	2	2	2	2	2	2	
9	201.09-09	针距凸轮滑块	Cam Block	1	1	1	1	1	1	
10	201.09-10	针距调节座组件	Adjusting Base Components	1	1	1	1	1	1	
10-1	201.09-10-01	针距调节座	Adjusting Base	(1)	(1)	(1)	(1)	(1)	(1)	
11	201.09-10-02	定位销	Position Pin	(1)	(1)	(1)	(1)	(1)	(1)	
12	01-805000514-1	针距调节座紧定螺钉	Position Pin Setscrew	(2)	(2)	(2)	(2)	(2)	(2)	
13	201.09-13	偏心轮组件	Eccentric Wheel Components	1	1	1	1	1	2	
13-1	201.09-13-01	偏心轮	Eccentric Wheel	(1)	(1)	(1)	(1)	(1)	(1)	
14	201.09-13-02	定位销	Position Pin	(2)	(2)	(2)	(2)	(2)	(2)	
15	201.09-15	内齿	Inside Gear	1	1	1	1	1	1	
16	201.09-16	弹簧	Spring	1	1	1	1	1	1	
17	201.09-17	压簧固定螺钉	Setscrew	1	1	1	1	1	1	
18	201.09-18	针距调节轴	Ratio Adjusting Rod	1	1	1	1	1	1	
19	201.09-19	差动调节簧	Ratio Adjusting Spring	1	1	1	1	1	1	
20	05-050050760-4	垫片	Gasket	1	1	1	1	1	1	
21	201.09-21	油封	Oil Seal	1	1	1	1	1	1	
22	06-0300607-1	开口挡圈	E-ring	1	1	1	1	1	1	
23	201.09-23	差动调节连杆	Ratio Adjusting Rod	1	1	1	1	1	1	
24	201.09-24	差动调节连杆螺钉	Ratio Adjusting Rod Screw	1	1	1	1	1	1	
25	201.09-25	差动调节曲柄组件	Ratio Adjusting Crank ASM	1	1	1	1	1	1	
25-1	201.09-25-01	差动调节曲柄	Ratio Adjusting Crank	(1)	(1)	(1)	(1)	(1)	(1)	
26	01-506751224-1	固定螺钉	Setscrew	(1)	(1)	(1)	(1)	(1)	(1)	
27	201.09-27	差动轴套	Ratio Bushing	1	1	1	1	1	1	
28	201.09-28	差动轴	Ratio Shaft	1	1	1	1	1	1	
29	12-060200	O型圈	O-ring	1	1	1	1	1	1	
30	201.09-30	差动调节杠杆	Ratio Adjusting Lever	1	1	1	1	1	1	
31	201.09-31	差动扳手簧	Ratio Spanner Spring	1	1	1	1	1	1	
32	201.09-32	差动扳手固定螺钉	Ratio Spanner Setscrew	1	1	1	1	1	1	
33	201.09-33	针距调节指示板	Adjusting Indicator	1	1	1	1	1	1	
34	01-404001223-1	固定螺钉	Setscrew	2	2	2	2	2	2	
35	201.09-35	固定垫圈	Spacer	2	2	2	2	2	2	
36	09-0620513-1	弹性垫圈(碟形)	Elastic Spacer (Dish-Live)	1	1	1	1	1	1	
37	201.09-37	差动调节螺母	Ratio Adjusting Nut	1	1	1	1	1	1	
38	201.09-38	差动调节螺钉	Ratio Adjusting Screw	1	1	1	1	1	1	
39	01-404000623-1	定位螺钉	Setscrew	2	2	2	2	2	2	
40	05-043080900-4	垫片	Spacer	2	2	2	2	2	2	
41	201.09-41	定位螺母	Nut	2	2	2	2	2	2	



10. 送布传动部分

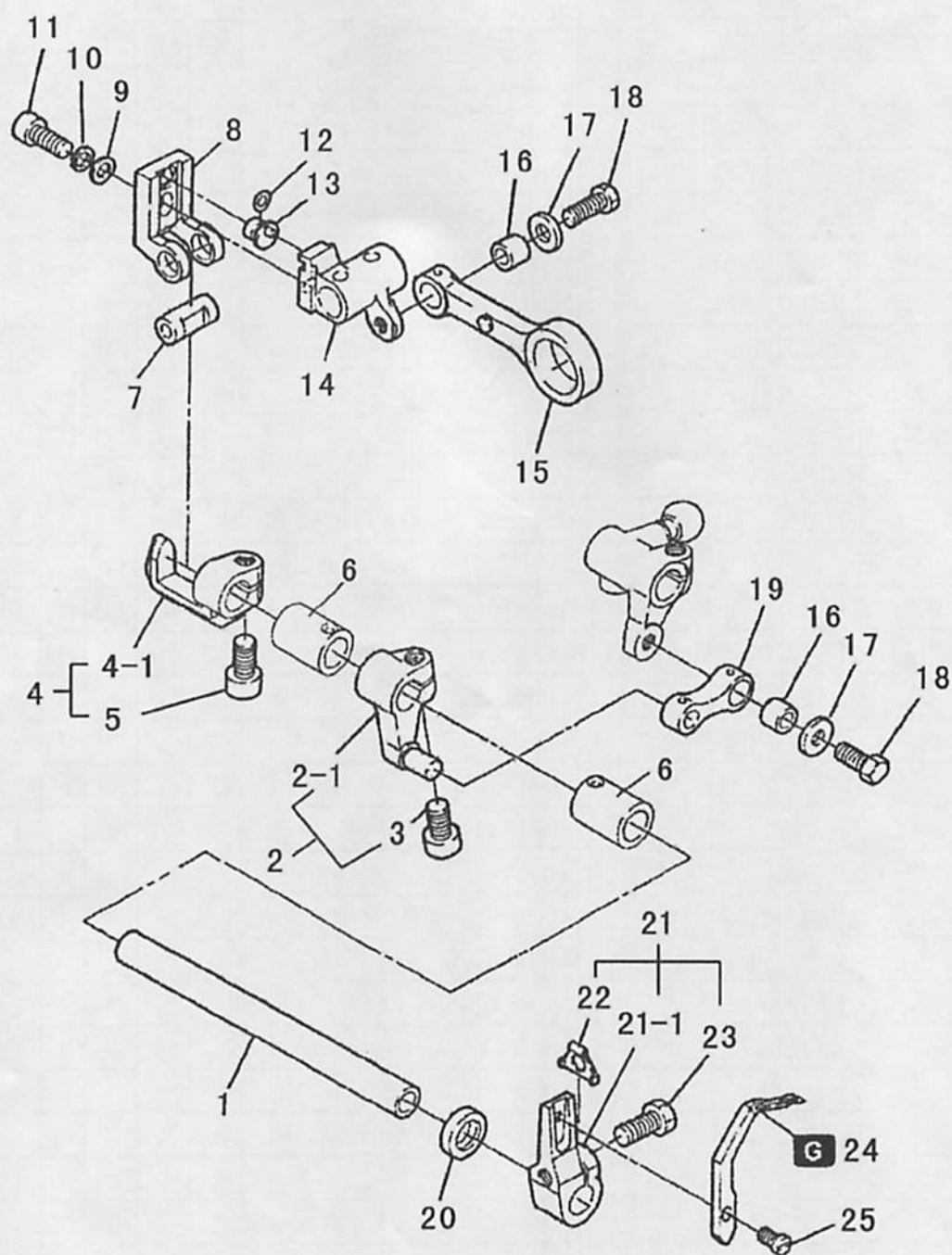
序号	图号	名称		3 线	4 线	5 线	5 宽	5 厚	6 线	备注
		中文	英文							
1	201.10-01	送布轴	Feed Rocker Shaft	1	1	1	1	1	1	
2	06-0700814-4	开口挡圈	E-ring	1	1	1	1	1	1	
3	22-15504017	油封	Oil Seal	1	1	1	1	1	1	
4	201.08-06	铜垫片	Copper Gasket	2	2	2	2	2	2	
5	201.07-06	送布轴前轴套	Feed Rocker Shaft Front Bushing	1	1	1	1	1	1	
6	201.07-06	送布轴后轴套	Feed Rocker Shaft Rear Bushing	1	1	1	1	1	1	
7	201.10-07	差动牙架调整曲柄组件	Ratio Adjusting Crank ASM	1	1	1	1	1	1	
8	01-506751224-1	差动牙架调整曲柄螺钉	Ratio Adjusting Crank Screw	(1)	(1)	(1)	(1)	(1)	(1)	
9	201.10-07-02	差动牙架调整曲柄	Ratio Adjusting Crank	(1)	(1)	(1)	(1)	(1)	(1)	
10	01-503000621-1	滑块盖板螺钉	Slipper Block Screw	(2)	(2)	(2)	(2)	(2)	(2)	
11	201.10-07-04	差动送布滑块盖板	Slipper Block Cover	(1)	(1)	(1)	(1)	(1)	(1)	
12	201.10-07-05	差动牙架调整曲柄滑块	Crank Block	(1)	(1)	(1)	(1)	(1)	(1)	
13	201.10-08	滑块	Slipper Block	1	1	1	1	1	1	
14	201.10-09	送布调整曲柄组件	Feed Cloth Adjusting Crank ASM	1	1	1	1	1	1	
14-1	201.10-09-01	送布调整曲柄	Feed Cloth Adjusting Crank	(1)	(1)	(1)	(1)	(1)	(1)	
15	01-506751224-1	送布调整曲柄紧固螺钉	Setscrew	(1)	(1)	(1)	(1)	(1)	(1)	
16	201.10-11	偏心轴	Eccentric Cam	1	1	1	1	1	1	
17	05-053101001-5	垫片	Gasket	1	1	1	1	1	1	
18	03-605000400-1	送布牙连杆偏心轴螺母	Nut	1	1	1	1	1	1	
19	01-705051325-1	送布牙架连杆套螺钉	Screw	1	1	1	1	1	1	
20	05-053151102-5	送布牙架连杆套垫圈	Gasket	1	1	1	1	1	1	
21	201.10-16	送布牙架连杆套	Connecting Rod Bushing	1	1	1	1	1	1	
22	201.10-17	送布牙架连杆	Connecting Rod	1	1	1	1	1	1	
23	01-804000414-1	挡圈螺钉	Screw	2	2	2	2	2	2	
24	201.10-19	轴箍	Thrust Collar	2	2	2	2	2	2	
25	201.10-20	送布牙架	Feed Rocker Rank	1	1	1	1	1	1	
26	201.10-21	差动牙架	Ratio Rank	1	1	1	1	1	1	
27	201.10-22	差动送布滑块	Feed Slipper Block	1	1	1	1	1	1	
28	201.10-23	抬牙滑块	Take-up Slipper Block	1	1	1	1	1	1	
29	01-504000624-1	螺钉	Screw	1	1	1	1	1	1	
30	201.10-25	油封	Oil Seal	1	1	1	1	1	1	
31	10-1401014-1	挡圈	E-ring	1	1	1	1	1	1	
32	12-115150	O型圈	O-ring	1	1	1	1	1	1	
33	201.10-28	牙叉轴	Shaft	1	1	1	1	1	1	
34	01-535000821-1	差动牙螺钉	Screw	2	2	2	2	2	2	
35	201.10-30	差动牙	Ratio dog	1	1					
	203.10-30	差动牙	Ratio dog			1				
	204.10-30	差动牙	Ratio dog					1		
	205.10-30	差动牙	Ratio dog						1	
36	260.13-31-02	油封密封盖	Oil Sealing cover	1	1	1	1	1	1	
37	260.10-31-01	牙架导轨	Guide Orbit	1	1	1	1	1	1	
38	01-404000823-1	牙架导轨螺钉	Screw	4	4	4	4	4	1	
39	01-104001021-1	一字沉头螺钉	Screw	1	1	1	1	1	1	
40	201.10-33	密封导架	Guide Bracket	1	1	1	1	1	1	
41	201.10-36	主送布牙组件	Main Feed Dog Components	1	1					
	201.10-36-01	主送布牙	Main Feed Dog	(1)	(1)					
	201.10-36-02	副送布牙	Differential Feed Dog	(1)	(1)	(1)	(1)			
41	203.10-36	主送布牙组件	Main Feed Dog Components			1	1		1	
	203.10-36-01	主送布牙	Main Feed Dog			(1)	(1)			
41	204.10-36	主送布牙组件	Main Feed Dog Components					1		
	204.10-36-01	主送布牙	Main Feed Dog					(1)		
	204.10-36-02	副送布牙	Differential Feed Dog					(1)		
42	01-503000621-1	副送布牙螺钉	Screw	(1)	(1)	(1)	(1)	(1)	(1)	
43	201.10-34	油封	Oil Seal	3	3	3	3	3	3	
44	01-404000523-1	密封导架螺钉	Screw	2	2	2	2	2	2	



11. 剪切部分

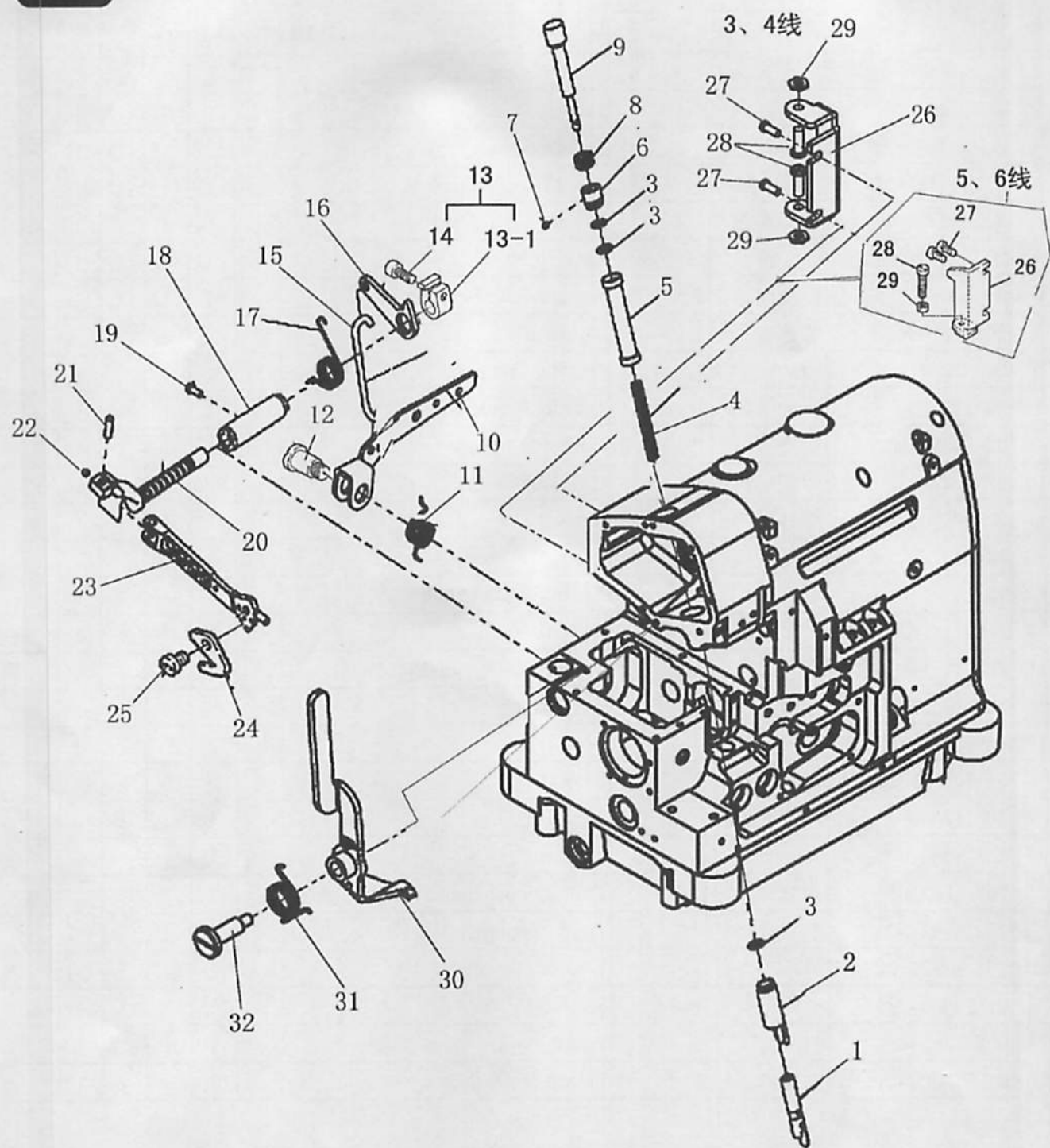
序号	图号	名称		3 线	4 线	5 线	5 宽	5 厚	6 线	备注
		中文	英文							
1	201.11-01	销轴	Pin	1	1	1	1	1	1	
2	201.11-02	上刀轴	Upper Knife Shaft	1	1	1	1	1	1	
3	13-09330150	油封	Oil Seal	1	1	1	1	1	1	
4	201.07-06	套筒	Bushing	1	1	1	1	1	1	
5	201.07-06	套筒	Bushing	1	1	1	1	1	1	
6	201.11-06	上刀轴箍	Crank Pin	2	2	2	2	2	2	
7	01-806750514-1	挡圈螺钉	Screw	2	2	2	2	2	2	
8	201.11-08	上切刀曲柄组件	Feed Forked Arm Components	1	1					
8-1	201.11-08-01	上切刀曲柄	Feed Forked Arm	(1)	(1)					
8	203.11-08	上切刀曲柄组件	Feed Forked Arm Components			1	1	1	1	
8-1	203.11-08-01	上切刀曲柄	Feed Forked Arm			(1)	(1)	(1)	(1)	
9	01-506751224-1	螺钉	Screw	(1)	(1)	(1)	(1)	(1)	(1)	
10	201.05-13	销轴	Pin	1	1	1	1	1	1	
11	201.11-11	上刀连杆组件	Connecting Rod ASM	1	1	1	1	1	1	
11-1	201.11-11-01	上刀连杆	Feed Forked Connecting Rod	(1)	(1)	(1)	(1)	(1)	(1)	
12	01-404001623-1	上切刀传动连杆固定螺钉	Setscrew	(2)	(2)	(2)	(2)	(2)	(2)	
13	01-804000614-1	上切刀传动连杆紧定螺钉	Setscrew	1	1	1	1	1	1	
14	201.11-14	上切刀	Upper Knife	1	1	1	1	1	1	
15	01-535000821-1	上切刀固定螺钉	Setscrew	1	1	1	1	1	1	
16	201.11-16	上刀座	Plain Knife Support	1	1					
	203.11-16	上刀座	Plain Knife Support			1	1	1	1	
17	01-504001221-1	上切刀架固定螺钉	Setscrew	1	1	1	1	1	1	
18	201.11-18	下切刀弹簧	Lower Knife Spring	1	1	1	1	1	1	
19	201.11-19	下切刀架	Lower Knife Slide Stud	1	1					
	203.11-19	下切刀架	Lower Knife Slide Stud			1	1	1	1	
20	01-504000821-1	下切刀架固定螺钉	Setscrew	1	1	1	1	1	1	
21	201.11-21	下切刀	Lower Knife	1	1	1	1	1	1	
22	201.11-22	下切刀压板	Lower Knife Presser Board	1	1	1	1	1	1	
23	01-705000821-1	下切刀固定螺钉	Setscrew	1	1	1	1	1	1	
24	201.11-24	下切刀架支板	Lower Knife Bracket Support	1	1	1	1	1	1	
25	01-404000823-1	下切刀架定位板固定螺钉	Setscrew	2	2	2	2	2	2	
26	246.11-26	弹簧挡板	Spring Plate	1	1	1	1	1	1	
27	01-404000823-1	弹簧挡板固定螺钉	Spring Plate Setscrew	2	2	2	2	2	2	

12 五、六线专用件



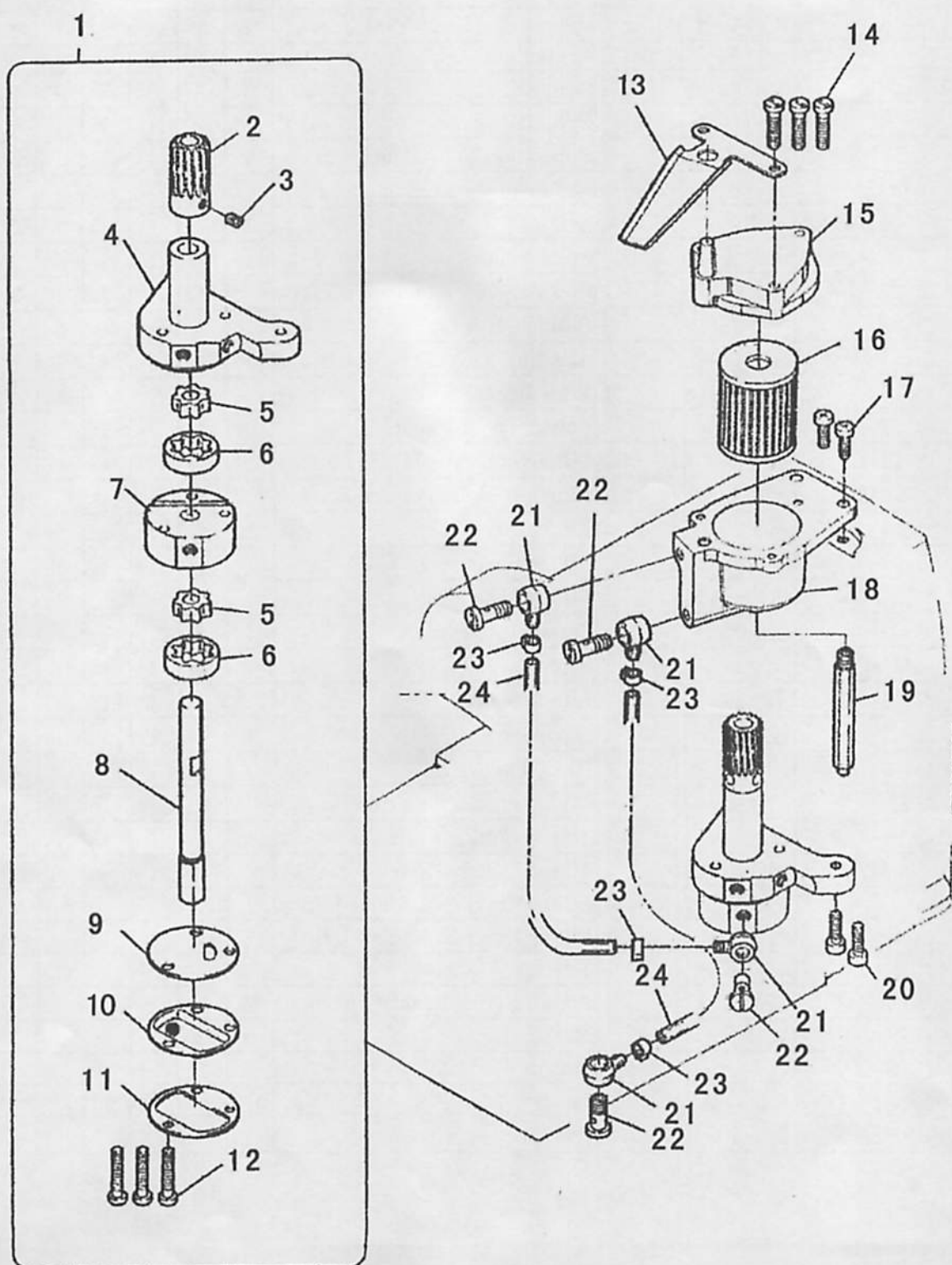
12. 前弯针传动部分

序号	图号	名称		3 线	4 线	5 线	5 宽	5 厚	6 线	备注
		中文	英文							
1	203.12-01	前弯针轴	Front Looper Shaft			1	1	1	1	
2	203.12-02	前弯针曲柄组件	Front Looper Crank ASM			1	1	1	1	
2-1	203.12-02-01	前弯针曲柄	Front Looper Crank			(1)	(1)	(1)	(1)	
3	01-506751224-1	前弯针曲柄固定螺钉	Front Looper Crank Setscrew			(1)	(1)	(1)	(1)	
4	203.12-04	驱动座组件	Driving Base ASM			1	1	1	1	
4-1	203.12-04-01	驱动座	Driving Base			(1)	(1)	(1)	(1)	
5	01-506751224-1	驱动座紧定螺钉	Driving Base Setscrew			(1)	(1)	(1)	(1)	
6	201.07-06	弯针纵轴轴套	Cushion			2	2	2	2	
7	203.12-07	驱动曲柄销	Driving Crank Pin			1	1	1	1	
8	203.12-08	驱动曲柄	Driving Crank			1	1	1	1	
9	05-053101001-5	垫片	Gasket			1	1	1	1	
10	07-0521313-1	弹簧垫片	Cushion			1	1	1	1	
11	01-505001224-1	螺钉	Screw			1	1	1	1	
12	12-038140	O型圈	O-ring			1	1	1	1	
13	203.12-13	偏心轴	Eccentric Cam Shaft			1	1	1	1	
14	203.12-14	调节曲柄	Adjusting Crank			1	1	1	1	
15	203.12-15	前弯针驱动连杆	Main Feed Driving Link			1	1	1	1	
16	201.10-16	套筒	Pin Collar			2	2	2	2	
17	05-053151102-5	垫片	Washer			2	2	2	2	
18	01-705051325-1	螺钉	Screw			2	2	2	2	
19	203.12-25	前弯针连杆	Main Feed Link			1	1	1	1	
20	13-09340190	油封	Oil Seal			1	1	1	1	
21	203.12-21	前弯针架组件	Front Looper Bracket ASM			1	1	1	1	
	203.12-21-01	前弯针架	Front Looper Bracket			(1)	(1)	(1)	(1)	
22	203.12-21-02	垫片	Washer			(1)	(1)	(1)	(1)	
23	01-705001325-1	前弯针架固定螺钉	Setscrew			(1)	(1)	(1)	(1)	
24	203.12-24	前弯针	Front Looper			1	1	1	1	
25	01-535000621-1	前弯针固定螺钉	Front Looper Setscrew			1	1	1	1	



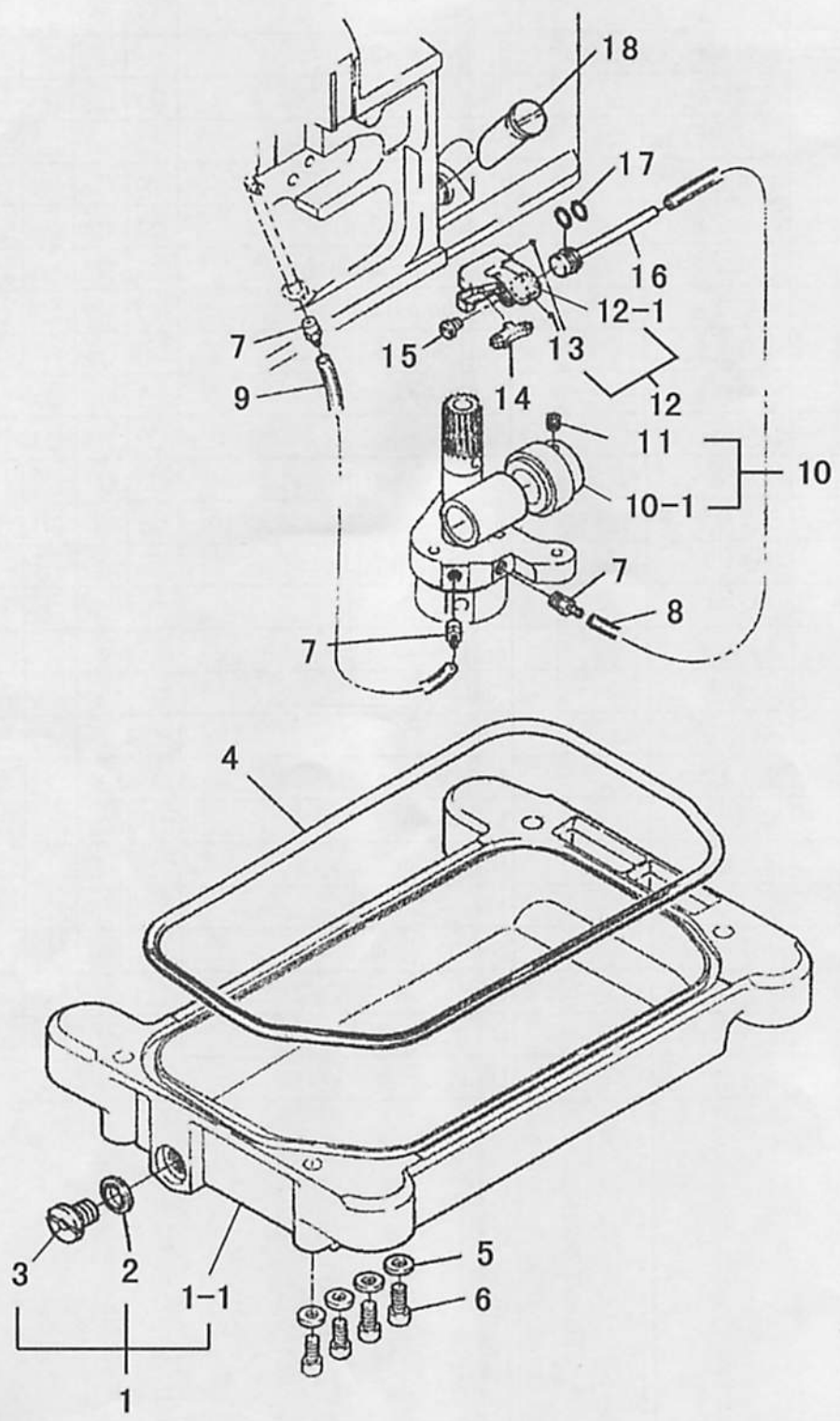
13. 压布传动部分

序号	图号	名称		3 线	4 线	5 线	5 宽	5 厚	6 线	备注
		中文	英文							
1	260. 13-35A	压杆头组件	Presser Rod Head ASM	1	1	1	1	1	1	
2	260. 13-38A	压杆铜套	Presser rod Copper Collar	1	1	1	1	1	1	
3	12-106100	O型圈	O-ring	3	3	3	3	3	3	
4	260. 13-29	弹簧	Spring	1	1	1	1	1	1	
5	260. 13-37A	压杆防油管	Presser rod Anti-oil tube	1	1	1	1	1	1	
6	260. 13-28	调压螺母锁紧套	Nut Regulation Collar	1	1	1	1	1	1	
7	01-804000414-1	无帽内六角螺钉	Screw	1	1	1	1	1	1	
8	260. 13-36	调牙螺帽	Presser nut	1	1	1	1	1	1	
9	260. 13-27	调牙螺钉	Presser Screw Regulation	1	1	1	1	1	1	
10	260. 29-25	抬压脚杠杆	Lifting Lever Link	1	1	1	1	1	1	
11	260. 29-05	杠杆弹簧	Adjusting Lever Spring	1	1	1	1	1	1	
12	201. 13-17	抬压脚杠杆轴位螺	Lifting Lever Link Screw	1	1	1	1	1	1	
13	201. 13-13	压脚轴套	Presser Foot Bushing	1	1	1	1	1	1	
13-1	201. 13-13-1	抬压脚曲柄	Lifting Presser Foot Crank	(1)	(1)	(1)	(1)	(1)	(1)	
14	01-506751424-1	抬压脚曲柄螺钉	Lifting Presser Foot Crank Screw	(1)	(1)	(1)	(1)	(1)	(1)	
15	260. 13-18	吊钩	Lifting Hook	1	1	1	1	1	1	
16	260. 29-04	压脚轴	Lifting Shaft	1	1	1	1	1	1	
17	260. 29-26	压脚轴扭簧	Lifting Shaft Twisting spring	1	1	1	1	1	1	
18	201. 13-09	压脚轴套	Presser Foot Bushing	1	1	1	1	1	1	
19	01-404000823-1	十字一字螺钉	Screw	1	1	1	1	1	1	
20	260. 29-03	压脚轴	Lifting Shaft	1	1	1	1	1	1	
21	201. 13-23	铰链销	Hinge Pin	1	1	1	1	1	1	
22	01-804050414-1	铰链销紧定螺钉	Hinge Pin Setscrew	1	1	1	1	1	1	
23	260. 29-02	抬压脚臂	Lifting Presser Foot Arm	1	1	1	1	1	1	
24	201. 13-25	割线刀	Thread Cutting Knife	1	1	1	1	1	1	
25	01-503000421-1	割线刀螺钉	Thread Cutting Knife Screw	1	1	1	1	1	1	
26	201. 13-19G	抬压脚杠杆限位板	Lifting Level Link Limited Board	1	1					
	201. 13-19	抬压脚杠杆限位板	Lifting Level Link Limited Board			1	1	1	1	
27	01-404001023-1	固定螺钉	Setscrew	2	2	2	2	2	2	
28	01-505002421-1	调节螺钉	Presser Spring Regulation	2	2	1	1	1	1	
29	03-605000400-1	调节螺母	Nut	2	2	1	1	1	1	
30	260. 13-30C	扳手	Spanner	1	1	1	1	1	1	
31	260. 13-31	抬压脚扳手螺钉	Spanner Spring	1	1	1	1	1	1	
32	260. 13-32A	扳手固定螺钉	Ratio Spanner Setscrew	1	1	1	1	1	1	



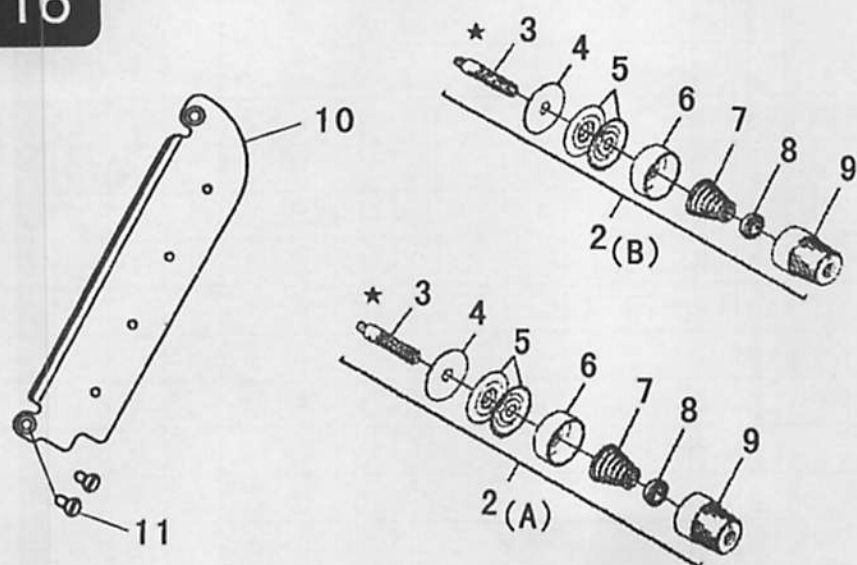
14. 润滑部分

序号	图号	名称		3 线	4 线	5 线	5 宽	5 厚	6 线	备注
		中文	英文							
1	210.14-01G	油泵组件(大油量)	Oil Pump ASM	1	1	1	1	1	2	
2	201.14-01-01	油泵蜗轮	Worm Gear	(1)	(1)	(1)	(1)	(1)	(1)	
3	01-805000514-1	油泵蜗轮紧定螺钉	Worm Gear Setscrew	(1)	(1)	(1)	(1)	(1)	(1)	
4	201.14-01-03	油泵体	Oil Pump	(1)	(1)	(1)	(1)	(1)	(1)	
5	210.14-01-04	大油泵转子	Pinion Gear(big)	(1)	(1)	(1)	(1)	(1)	(1)	
6	210.14-01-05	大油泵定子	Oil Pump Pinion(big)	(1)	(1)	(1)	(1)	(1)	(1)	
7	210.14-01-06	油泵底座	Oil Pump Base	(1)	(1)	(1)	(1)	(1)	(1)	
8	201.14-01-07	油泵主轴	Gear Pump Shaft Large	(1)	(1)	(1)	(1)	(1)	(1)	
9	201.14-01-08	油泵底板	Pinion Spacer	(1)	(1)	(1)	(1)	(1)	(1)	
10	201.14-01-09	滤油网	Filter	(1)	(1)	(1)	(1)	(1)	(1)	
11	201.14-01-10	滤油网固定片	Filter Gasket	(1)	(1)	(1)	(1)	(1)	(1)	
12	201.14-01-11	油泵底板固定螺钉	Setscrew	(3)	(3)	(3)	(3)	(3)	(3)	
13	201.14-02	挡油板	Oil Proof Board	1	1	1	1	1	1	
14	01-504002221-1	螺钉	Screw	3	3	3	3	3	3	
15	201.14-04	滤油箱盖	Filter Box Cover	1	1	1	1	1	1	
16	201.14-05	滤油器	Cartridge Filter	1	1	1	1	1	1	
17	01-404001223-1	螺钉	Screw	2	2	2	2	2	2	
18	201.14-07	滤油器体	Filter Casing	1	1	1	1	1	1	
19	03-606000350-1	螺母	Sleeve nut	1	1	1	1	1	1	
20	210.14-08	通油支柱	Oil Finding Support	1	1	1	1	1	1	
21	01-504001621-1	螺钉	Screw	2	2	2	2	2	2	
22	201.14-10	油管接头	Oil Pipe Joint	4	4	4	4	4	4	
23	201.14-11	油管活接头螺钉	Screw	4	4	4	4	4	4	
24	201.20-08C	油管卡簧	Oil Pipe Spring	4	4	4	4	4	4	
25	201.14-13	油管	Oil Pipe	2	2	2	2	2	2	



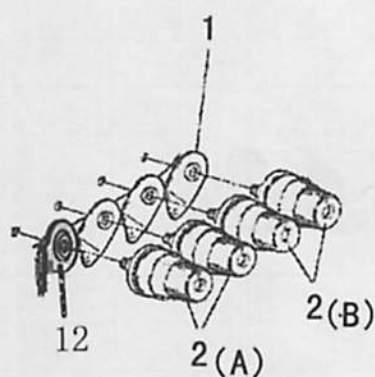
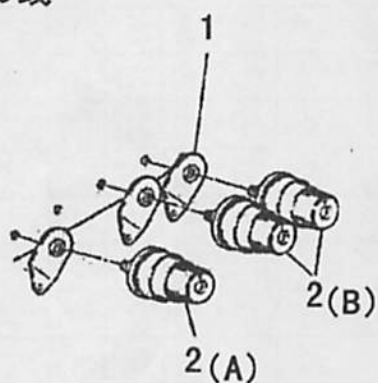
15. 油盘部分

序号	图号	名称		3 线	4 线	5 线	5 宽	5 厚	6 线	备注
		中文	英文							
1	210.15-01	油盘组件	Oil Tray ASM	1	1	1	1	1	1	
1-1	210.15-01-01	油盘	Oil Tray	(1)	(1)	(1)	(1)	(1)	(1)	
2	201.15-01-02	放油螺钉油封	Oil Seal	(1)	(1)	(1)	(1)	(1)	(1)	
3	201.15-01-03	放油螺钉	Oil Release Screw	(1)	(1)	(1)	(1)	(1)	(1)	
4	260.15-04	密封圈	Oil Reservoir Gasket	1	1	1	1	1	1	
5	05-053201450-1	垫片	Gasket	4	4	4	4	4	4	
6	01-505001224-1	油盘固定螺钉	Setscrew	4	4	4	4	4	4	
7	201.15-07	油管接头	Oil Pipe Joint	3	3	3	3	3	3	
8	201.15-08	油管	Oil Pipe	1	1	1	1	1	1	
9	201.15-09	油管	Oil Pipe	1	1	1	1	1	1	
10	210.15-10	蜗杆组件	Worm Rod ASM	1	1	1	1	1	1	
10-1	210.15-10-01	蜗杆	Worm Rod	(1)	(1)	(1)	(1)	(1)	(1)	
11	01-804000421-1	螺钉	Screw	(2)	(2)	(2)	(2)	(2)	(2)	
12	201.15-12	针杆回油器组件	Oil Returning Components	1	1	1	1	1	1	
12-1	201.15-12-01	针杆回油器	Oil Returning	(1)	(1)	(1)	(1)	(1)	(1)	
13	201.15-12-02	钢球	Steel Ball	(2)	(2)	(2)	(2)	(2)	(2)	
14	201.15-14	毛毡	Felt	1	1	1	1	1	1	
15	01-404000823-1	螺钉	Screw	1	1	1	1	1	1	
16	201.15-16	排油杆	Oil Release Rod	1	1	1	1	1	1	
17	12-060180	O型圈	O-ring	2	2	2	2	2	2	
18	201.15-18	圆柱形油窗	Oil Window	1	1	1	1	1	1	

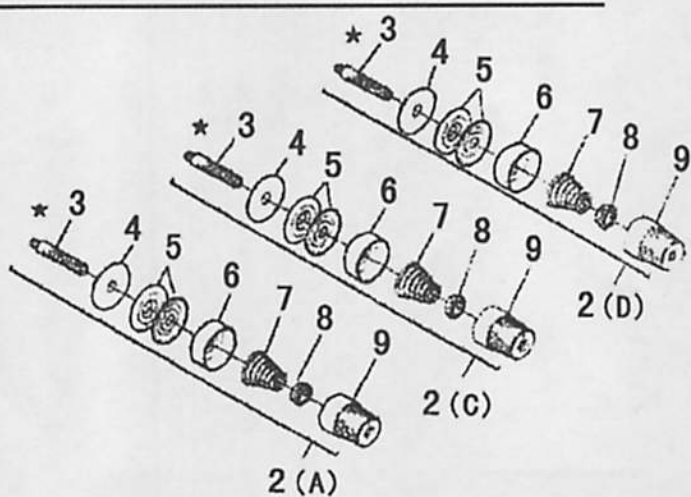
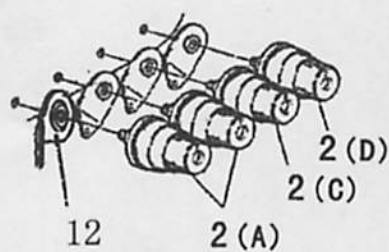


● 3线

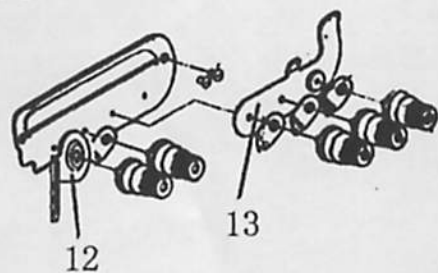
● 4、5线



● 5线厚料



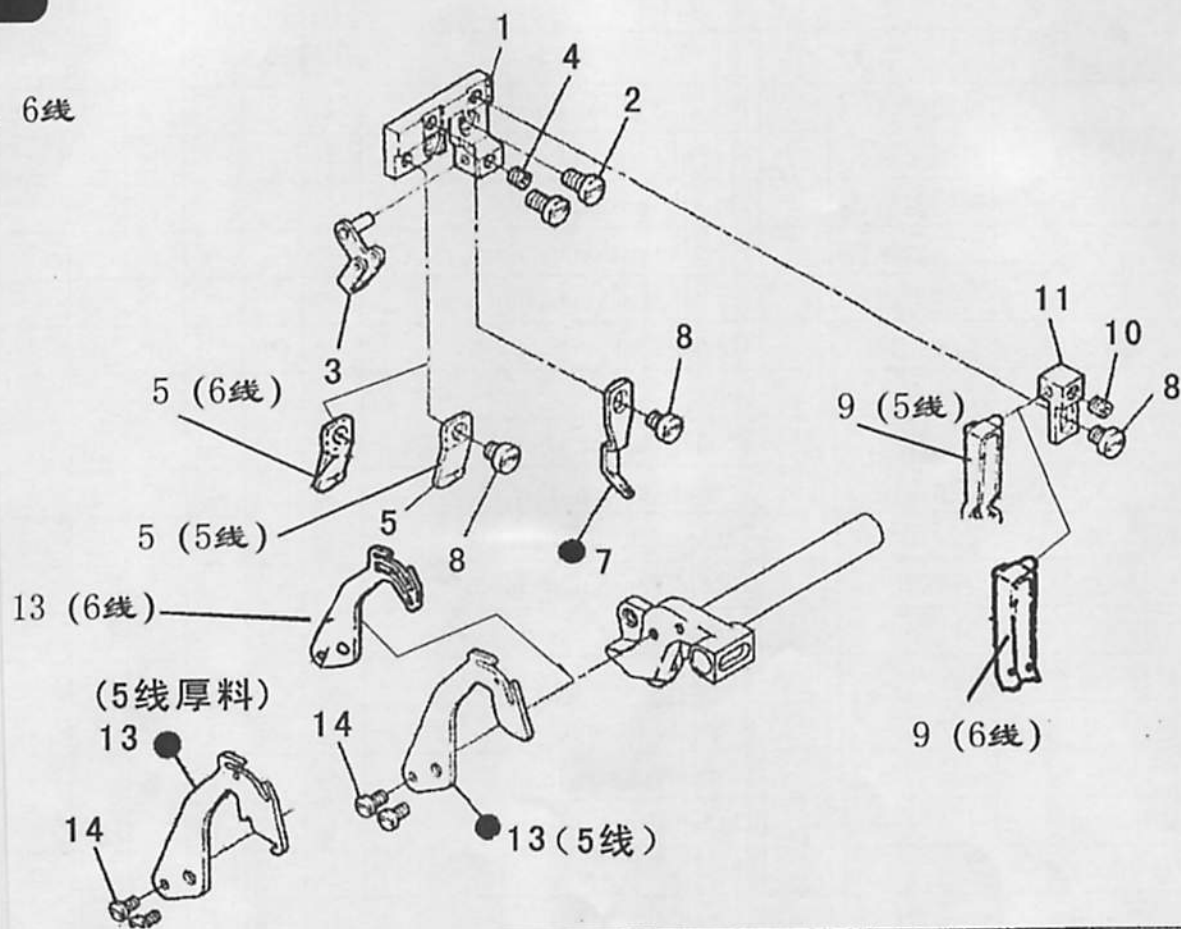
● 6线



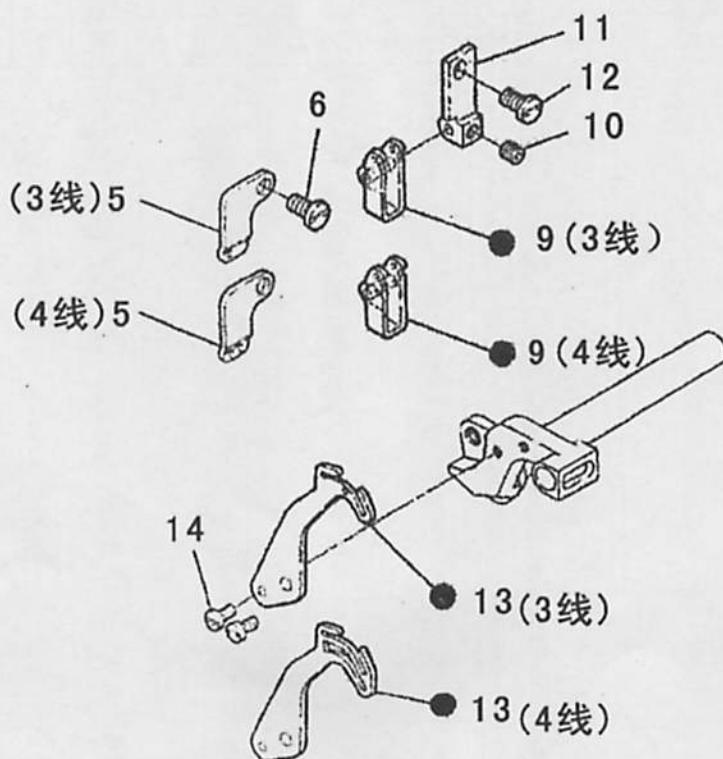
16. 夹线器部分

序号	图号	名称		3 线	4 线	5 线	5 宽	5 厚	6 线	备注
		中文	英文							
1	201.16-01	过线板 (C)	Thread Tension Disk (C)	3	3	3	3	3	4	
2	201.16-02 A	夹线器组件A	Thread Tension Components A	1	2	2	2	2	3	
	201.16-02 B	夹线器组件B	Thread Tension Components B	2	2	2	2		2	
	204.16-02 C	夹线器组件C	Thread Tension Components C					1		
	204.16-02 D	夹线器组件D	Thread Tension Components D					1		
3	201.16-02-01	夹线螺钉	Thread Tension Screw	(3)	(4)	(4)	(4)	(4)	(5)	
4	201.16-02-02	羊毛垫	Felt	(3)	(4)	(4)	(4)	(4)	(5)	
5	201.16-02-03	夹线片	Thread Tension Disk	(6)	(8)	(8)	(8)	(8)	(10)	
6	201.16-02-04	夹线器座	Thread Tension Base	(3)	(4)	(4)	(4)	(4)	(5)	
7	201.16-02-05A	夹线簧A	Thread Tension Spring A	(1)	(2)	(2)	(2)	(2)	(3)	
	201.16-02-05B	夹线簧B	Thread Tension Spring B	(2)	(2)	(2)	(2)		(2)	
	204.16-02-05C	夹线簧C	Thread Tension Spring C					(1)		
	204.16-02-05D	夹线簧D	Thread Tension Spring D					(1)		
8	201.16-02-06	止动套	Stopping Bushing	(3)	(4)	(4)	(4)	(4)	(5)	
9	201.16-02-07	夹线调节螺母	Thread Tension Knob	(3)	(4)	(4)	(4)	(4)	(5)	
10	201.16-03G	过线板 (B)	Thread Tension Disk (B)	1	1	1	1	1	1	
11	01-204000821-2	螺钉	Screw	2	2	2	2	2	2	
12	201.16-01G	针线过线板	Thread Tension Disk		1	1	1	1		
	206.16-01G	针线过线板	Thread Tension Disk						1	
13	206.16-04	三针过线板	Thread Tension Disk						1	

5、6线

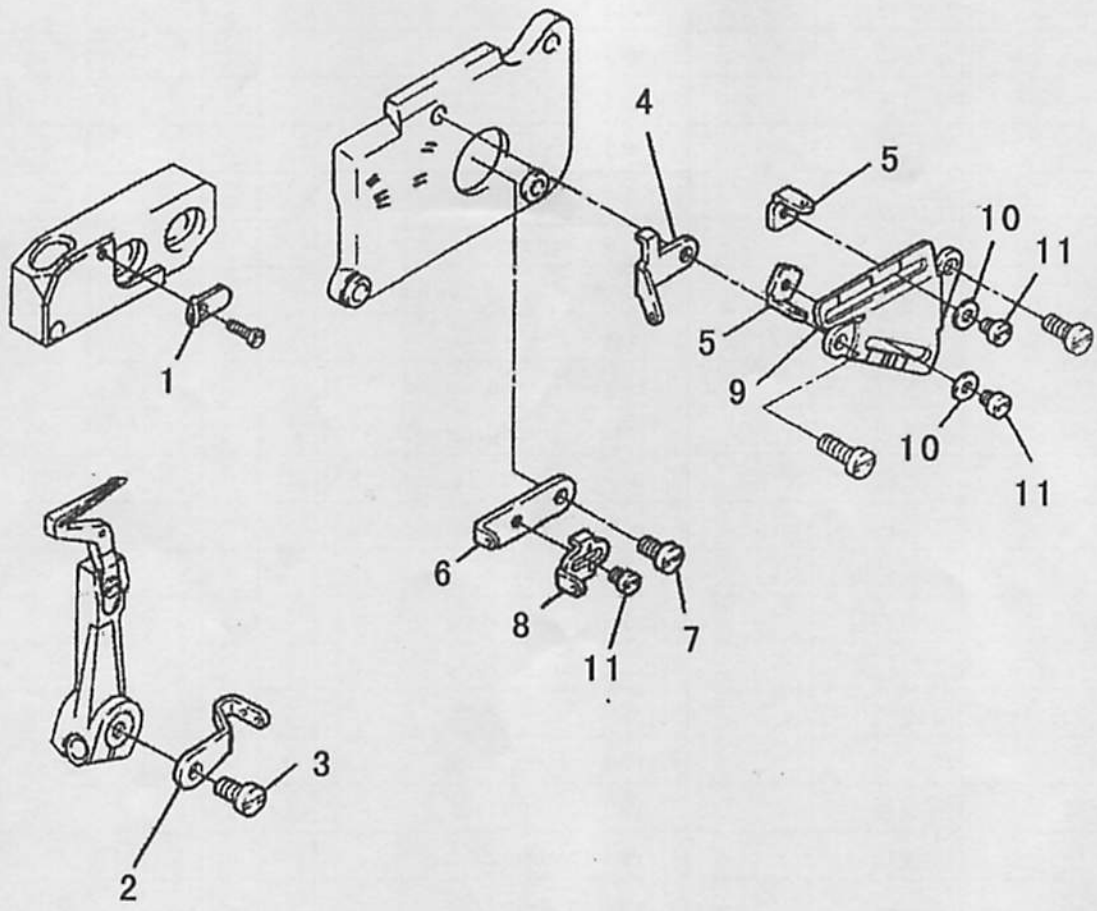


3、4线



17. 过线件部分(1)

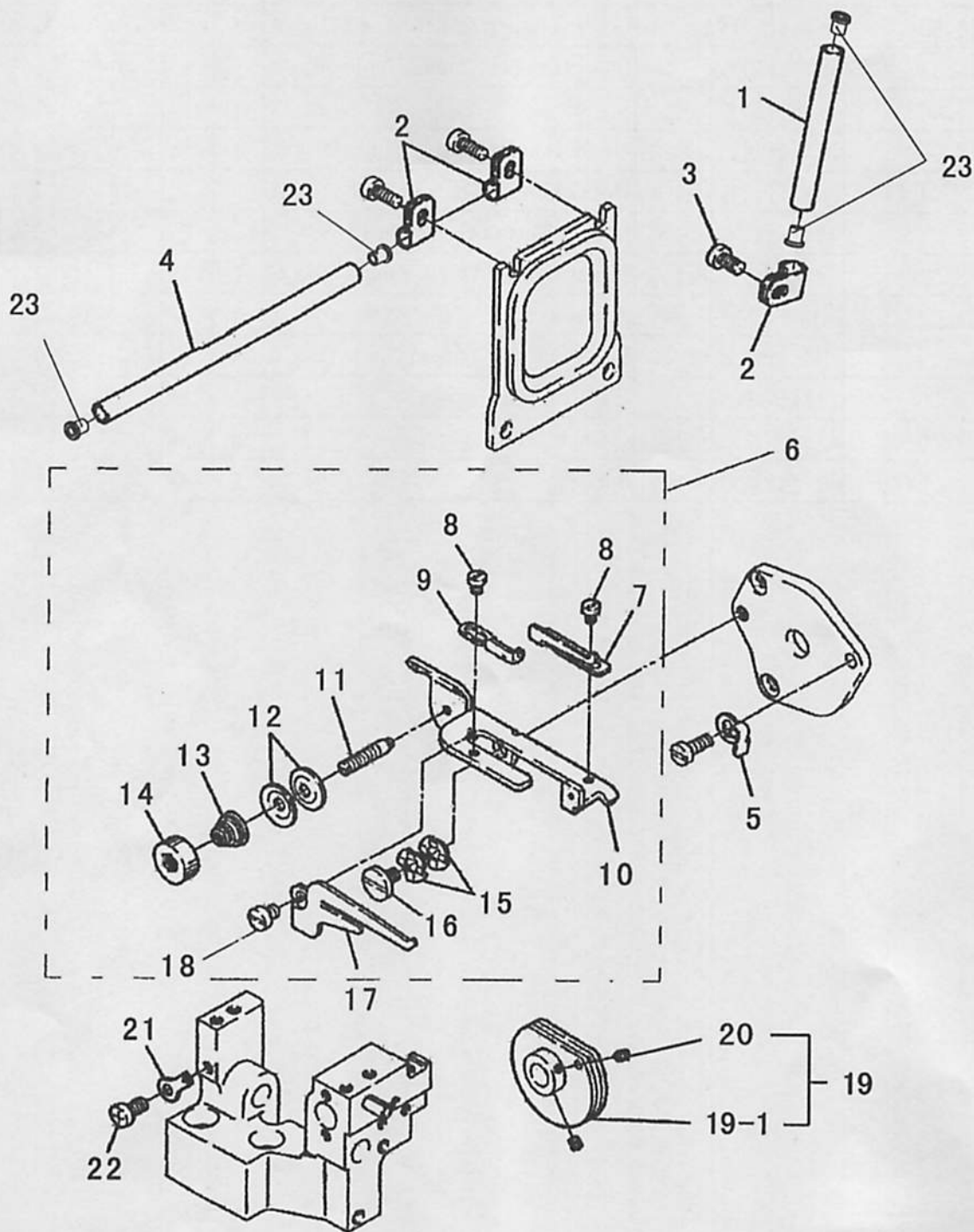
序号	图号	名称		3 线	4 线	5 线	5 宽	5 厚	6 线	备注
		中文	英文							
1	203.17-01	过线板固定座	Thread Tension Base			1	1	1	1	
2	01-604000821-1	过线板固定座螺钉	Thread Tension Base Screw			2	2	2	2	
3	203.17-03	过线板组件	Thread Tension ASM			1	1	1	1	
4	01-804000414-1	过线板螺钉	Screw			1	1	1	1	
5	201.17-05	穿线板	Thread Tension Disk	1						
	202.17-05	穿线板	Thread Tension Disk		1					
	203.17-05	穿线板	Thread Tension Disk			1	1	1		
	206.17-05	穿线板	Thread Tension Disk						1	
6	01-604000821-1	穿线板螺钉	Screw	1	1				1	
7	203.17-07	单孔过线板	Single-hole Thread Guide Disk			1	1		1	
	204.17-07	单孔过线板	Single-hole Thread Guide Disk					1		
8	01-504000521-1	单孔过线板固定螺钉	Setscrew			3	3	3	3	
9	201.17-09	二眼过线板组件	Two-hole Thread Tension ASM	1						
	202.17-09	二眼过线板组件	Two-hole Thread Tension ASM		1					
	203.17-09	二眼过线板组件	Two-hole Thread Tension ASM			1	1	1		
	206.17-09	二眼过线板组件	Two-hole Thread Tension ASM						1	
10	01-804000414-1	二眼过线板螺钉	Screw	1	1	1	1	1	1	
11	201.17-11	过线板座	Thread Tension Base	1	1					
	203.17-11	过线板座	Thread Tension Base			1	1	1	1	
12	01-604000821-1	过线板座螺钉	Screw	1	1					
13	201.17-13	挑线板	Thread Take-up Disk	1						
	202.17-13	挑线板	Thread Take-up Disk		1					
	203.17-13	挑线板	Thread Take-up Disk			1	1			
	204.17-13	挑线板	Thread Take-up Disk					1		
	206.17-13	挑线板	Thread Take-up Disk						1	
14	01-603000621-1	挑线板固定螺钉	Setscrew	2	2	2	2	2	2	



18. 过线件部分(2)

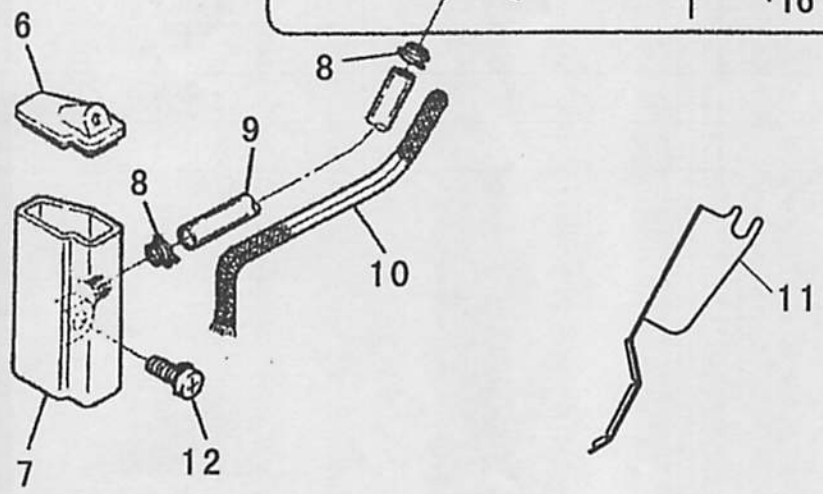
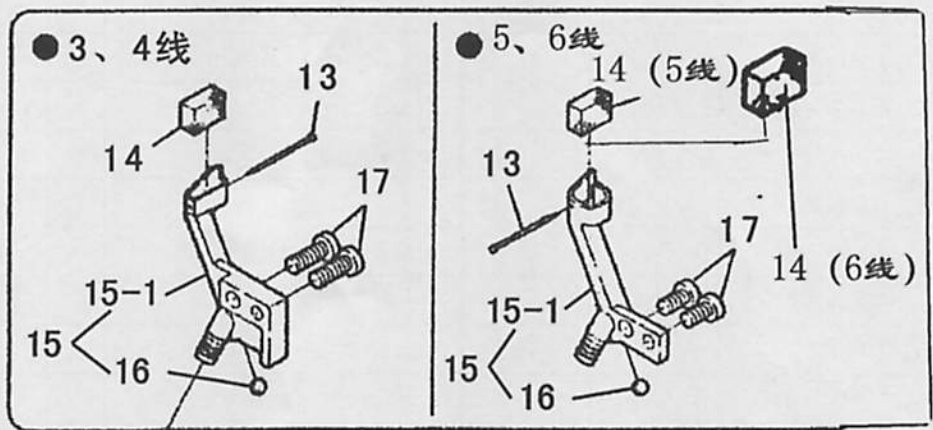
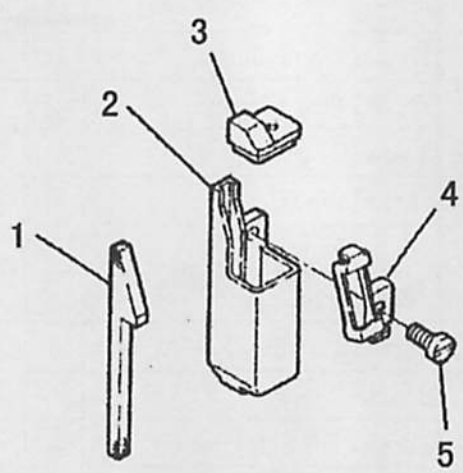
序号	图号	名称		3 线	4 线	5 线	5 宽	5 厚	6 线	备注
		中文	英文							
1	201.18-01	过线板	Thread Tension Disk	1	1	1	1	1	1	
2	201.18-02	下弯针过线板 (A)	Lower Looper Thread Guide Disk A	1		1	1		1	
	202.18-02	下弯针过线板 (A)	Lower Looper Thread Guide Disk A		1			1		
3	01-504000821-1	过线板螺钉	Screw	1	1	1	1	1	1	
4	201.18-04	上弯针过线板 (A)	Upper Looper Thread Guide Disk A	1	1	1	1		1	
	204.18-04	上弯针过线板 (A)	Upper Looper Thread Guide Disk A					1		
5	201.18-05	弯针过线板 (B)	Looper Thread Guide Disk B	2	2	2	2	2	2	
6	201.18-06	上弯针过线板 (C)	Upper Looper Thread Guide Disk C	1	1	1	1	1	1	
7	01-504000821-1	上弯针过线板螺钉	Screw	1	1	1	1	1	1	
8	201.18-08	下弯针过线板 (C)	Lower Looper Thread Guide Disk C	1	1	1	1	1	1	
9	201.18-09	过线板调整架	Adjusting Bracket	1	1	1	1	1	1	
10	05-032050700-1	过线板螺钉垫片	Gasket	2	2	2	2	2	2	
11	01-503000421-1	上弯针过线板螺钉	Screw	3	3	3	3	3	3	

5、6线



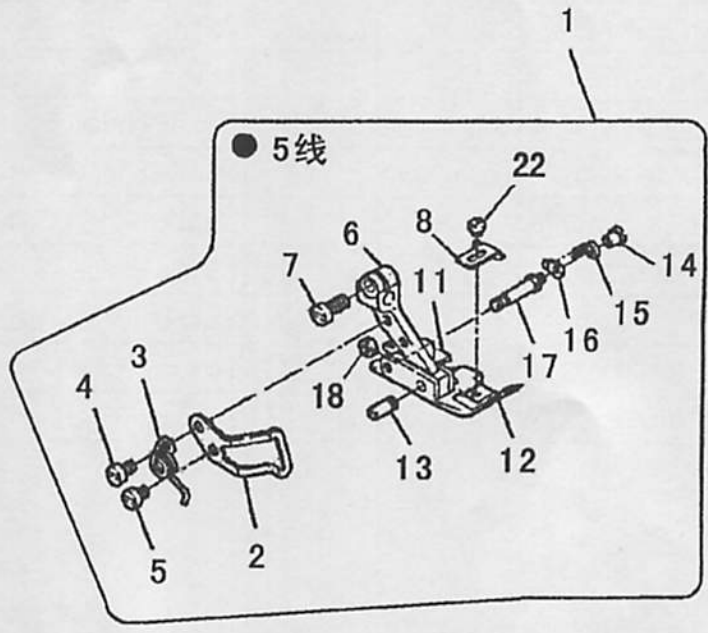
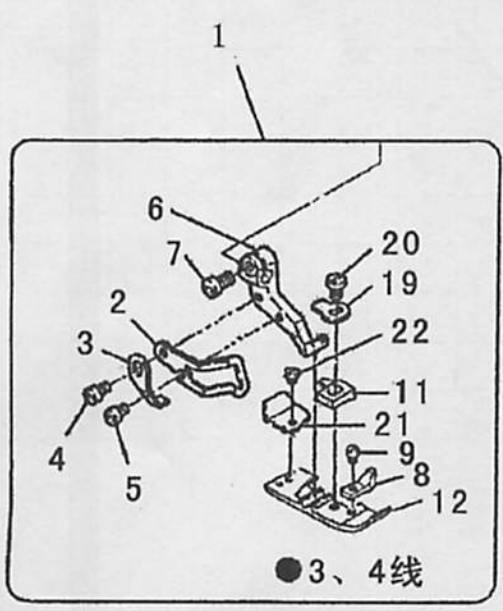
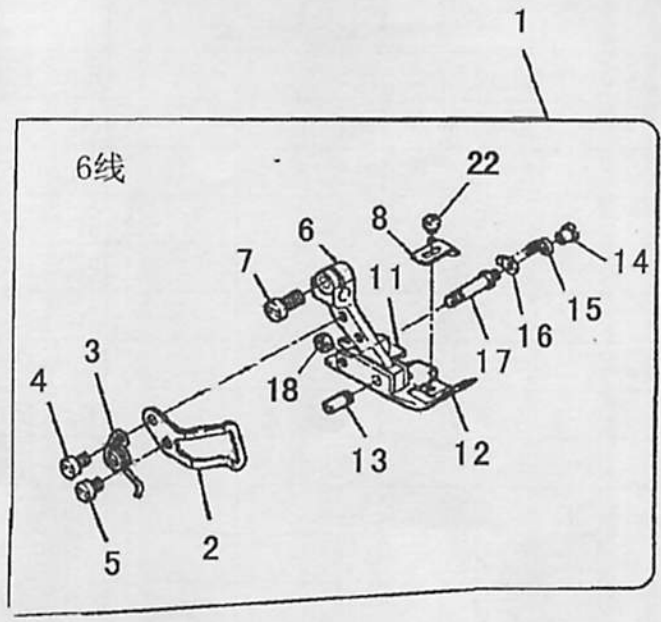
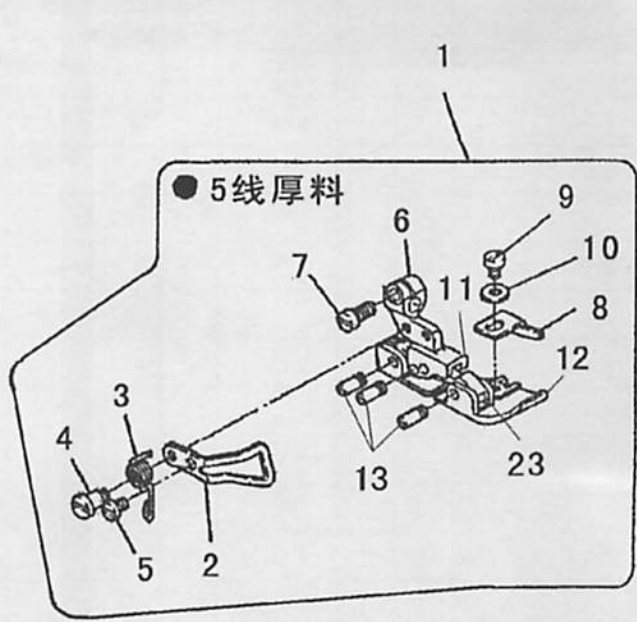
19. 过线件部分(3)

序号	图号	名称		3 线	4 线	5 线	5 宽	5 厚	6 线	备注
		中文	英文							
1	203.19-01	短过线管	Thread Pipe (short)			1	1	1	1	
2	203.19-02	过线管夹	Thread Pipe Clamp			3	3	3	3	
3	01-404000823-1	过线管夹固定螺钉	Screw			1	1	1	1	
4	203.19-04	长过线管	Thread Pipe (long)			1	1	1	1	
5	203.19-05	过线环	Thread Ring			1	1	1	1	
6	203.19-06	前弯针导线架组件	Components			1	1	1	1	
7	203.19-06-01	过线板 A	Thread Tension Disk A			(1)	(1)	(1)	(1)	
8	01-503000421-1	过线板螺钉	Screw			(2)	(2)	(2)	(2)	
9	203.19-06-03	过线板B	Thread Tension Disk B			(1)	(1)	(1)	(1)	
10	203.19-06-04	导线架	Thread Guide Rack			(1)	(1)	(1)	(1)	
11	203.19-06-05	压线螺钉	Screw			(1)	(1)	(1)	(1)	
12	203.19-06-06	压线板	Thread Presser Disk			(2)	(2)	(2)	(2)	
13	203.19-06-07	压线簧	Thread Presser Spring			(1)	(1)	(1)	(1)	
14	203.19-06-08	压线螺母	Thread Presser Nut			(1)	(1)	(1)	(1)	
15	201.03-07	波形弹性垫圈	Elastic Cushion			(2)	(2)	(2)	(2)	
16	201.03-08	导线架螺钉	Screw			(1)	(1)	(1)	(1)	
17	203.19-06-11	导线板	Thread Guide Disk			(1)	(1)	(1)	(1)	
18	01-504000521-1	导线板螺钉	Screw			(1)	(1)	(1)	(1)	
19	203.19-07	张力变换凸轮组件	Tension Changing Cam ASM			1	1	1	2	
19-1	203.19-07-01	张力变换凸轮	Tension Changing Cam			(1)	(1)	(1)	(1)	
20	01-803000314-1	凸轮轴套紧定螺钉	Setscrew			(2)	(2)	(2)	(2)	
21	203.19-08	过线板	Thread Tension Disk			1	1	1	1	
22	01-404000623-1	过线板螺钉	Screw			1	1	1	1	



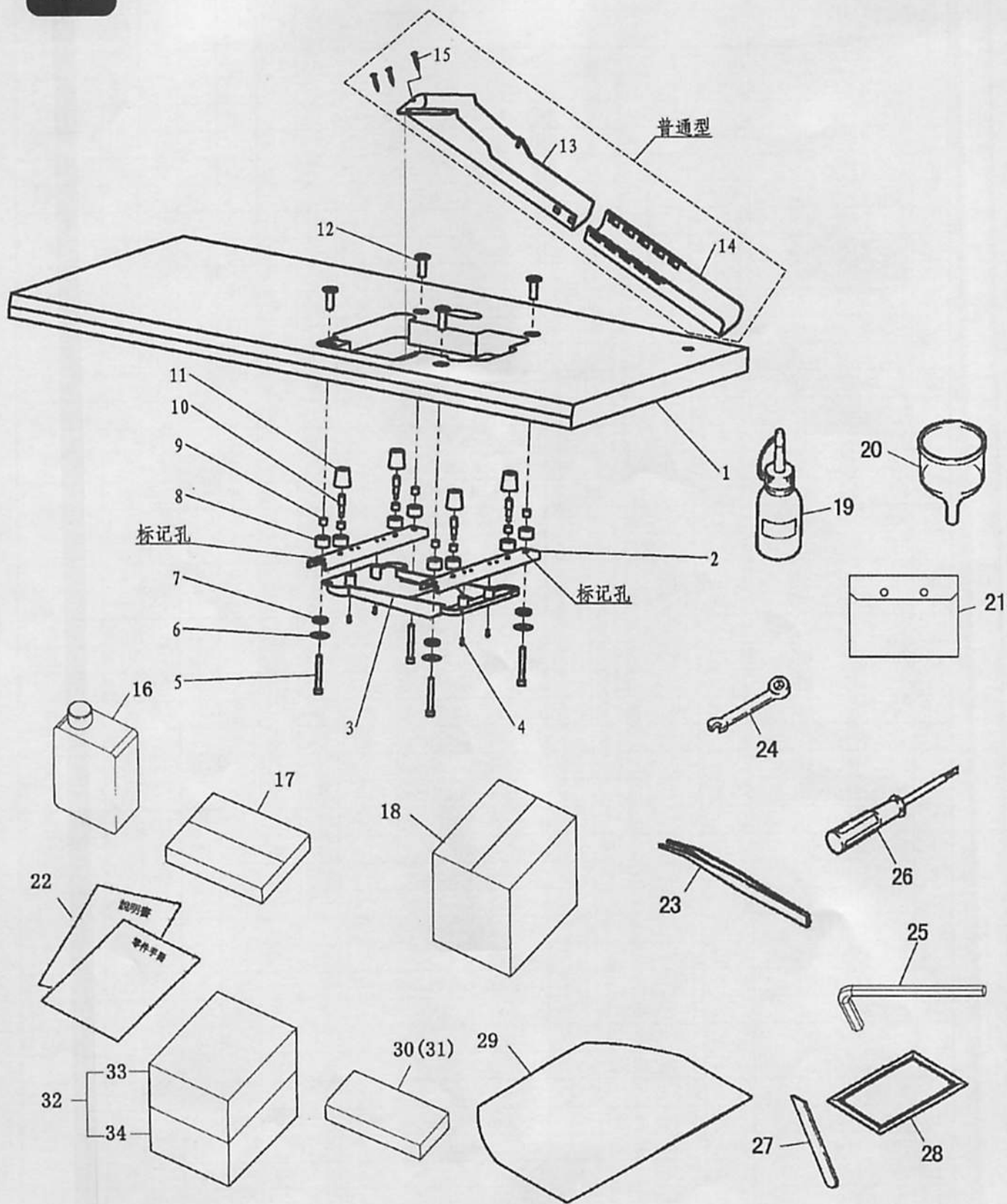
20. 硅油装置部分

序号	图号	名称		3 线	4 线	5 线	5 宽	5 厚	6 线	备注
		中文	英文							
1	201.20-01	滤油毡	Filter Felt	1	1					
	203.20-01	滤油毡	Filter Felt			1	1	1	1	
2	201.20-02	硅油盒	Silicon Oil Box	1	1	1	1	1	1	
3	201.20-03	油箱盒盖	Box Cover	1	1	1	1	1	1	
4	201.20-04	压板	Presser Disk	1	1					
	203.20-04	压板	Presser Disk			1	1	1	1	
5	01-404001023-1	压板螺钉	Screw	1	1	1	1	1	1	
6	201.20-06	小油箱盖	Tank Cover	1	1	1	1	1	1	
7	201.20-07	小油箱	Tank Small	1	1	1	1	1	1	
8	201.20-08A	卡簧	Spring	2	2	2	2	2	2	
9	201.20-09	油管	Oil Pipe	1	1	1	1	1	1	
10	201.20-10	油线	Oil Thread	1	1	1	1	1	1	
11	201.20-11	挡板	Thrust	1	1	1	1	1	1	
12	18-404001223-3	小油箱固定螺钉	Setscrew (zinc)	1	1	1	1	1	1	
13	201.20-13	机针冷却器油线钉	Screw	1	1	1	1	1	1	
14	201.20-14	油毡	Felt	1	1					
	203.20-14	油毡	Felt			1	1	1		
	205.20-14	油毡	Felt						1	
15	201.20-15	机针冷却器组件	Needle Fridger Components	1	1					
15-1	201.20-15-01	机针冷却器	Needle Fridger	(1)	(1)					
15	203.20-15	机针冷却器组件	Needle Fridger Components			1	1	1	1	
15-1	203.20-15-01	机针冷却器	Needle Fridger			(1)	(1)	(1)	(1)	
16	201.20-15-02	钢球	Steel Ball	(1)	(1)	(1)	(1)	(1)	(1)	
17	01-404000823-1	机针冷却器固定螺钉	Setscrew			2	2	2	2	
	01-404001223-1	机针冷却器固定螺钉	Setscrew	2	2					



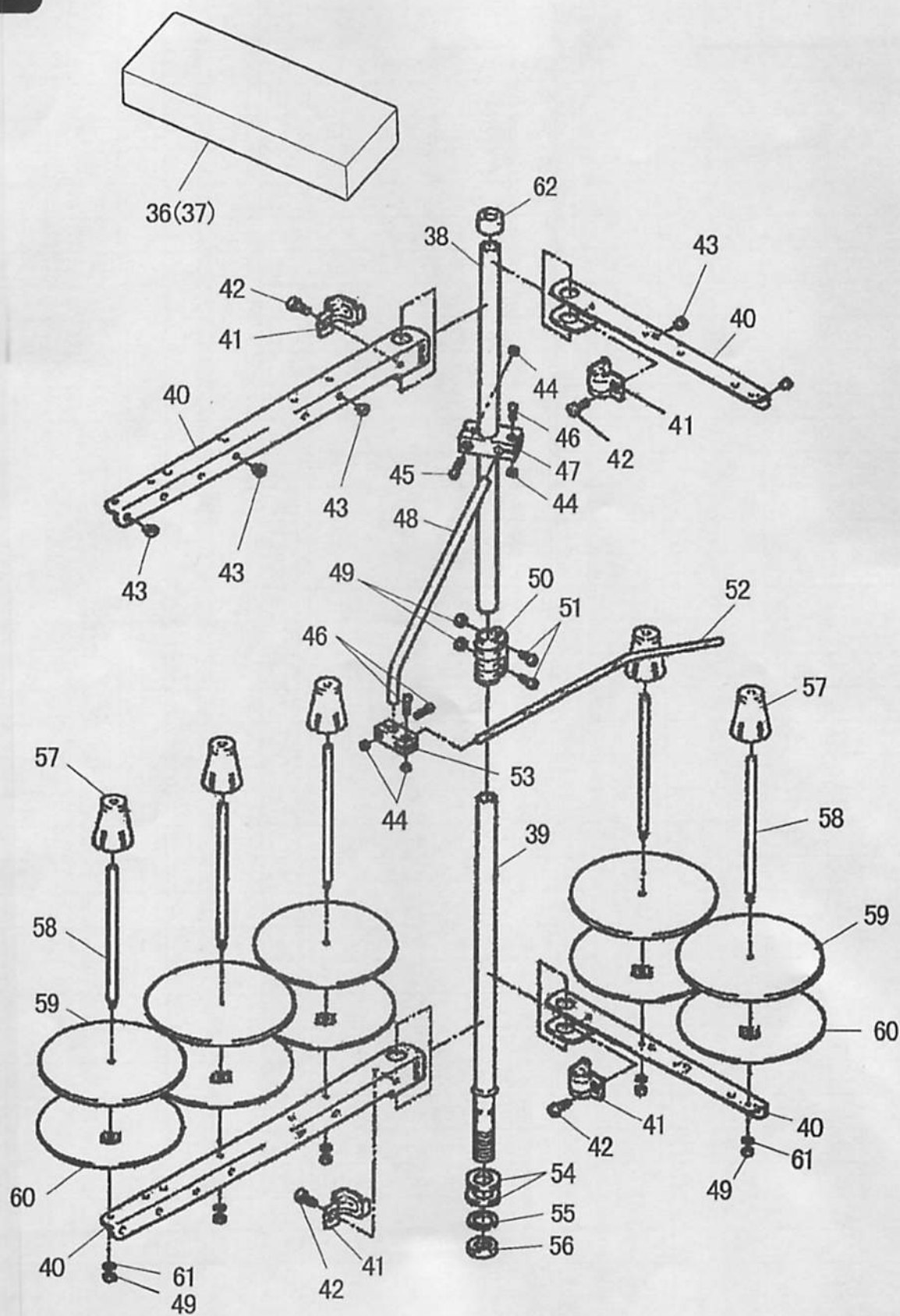
21. 压脚部分

序号	图号	名称		3 线	4 线	5 线	5 宽	5 厚	6 线	备注
		中文	英文							
1	201.21-01	压脚组件	Presser Foot Components	1						
	202.21-01G	压脚组件	Presser Foot Components		1					
	203.21-01	压脚组件	Presser Foot Components			1				
	204.21-01	压脚组件	Presser Foot Components					1		
	205.21-01	压脚组件	Presser Foot Components				1			
	206.21-01	压脚组件	Presser Foot Components						1	
2	201.21-01-01	护指器	Stopper	(1)	(1)					
	203.21-01-01	护指器	Stopper			(1)	(1)		(1)	
	204.21-01-01	护指器	Stopper					(1)		
3	201.21-01-02	压脚弹簧	Presser Foot Spring	(1)	(1)					
	203.21-01-02	压脚弹簧	Presser Foot Spring			(1)	(1)		(1)	
	204.21-01-02	压脚弹簧	Presser Foot Spring					(1)		
4	01-503000521-1	压脚弹簧固定螺钉	Setscrew	(1)	(1)	(1)	(1)	(1)	(1)	
5		护指器固定螺钉	Setscrew	(1)	(1)	(1)	(1)	(1)	(1)	
6	201.21-01-05	压脚柄	Presser Foot Crank	(1)	(1)					
	203.21-01-05	压脚柄	Presser Foot Crank			(1)			(1)	
	204.21-01-05	压脚柄	Presser Foot Crank					(1)		
	205.21-01-05	压脚柄	Presser Foot Crank				(1)			
7	01-535000821-1	压脚柄固定螺钉	Screw	(1)	(1)	(1)	(1)	(1)	(1)	
8	201.21-01-07	压脚小舌	Stitch Tongue	(1)	(1)					
	203.21-01-07	压脚小舌	Stitch Tongue			(1)	(1)			
	204.21-01-07	压脚小舌	Stitch Tongue					(1)		
	206.21-01-07	压脚小舌	Stitch Tongue						(1)	
9	02-506560421-1	压脚小舌固定螺钉	Stitch Tongue Setscrew	(1)	(1)			(1)		
10	204.21-01-09	压脚小舌固定螺钉垫片	Gasket					(1)		
11	201.21-01-10	小压脚	Presser Foot (small)	(1)						
	202.21-01-10	小压脚	Presser Foot (small)		(1)					
	203.21-01-10	小压脚	Presser Foot (small)			(1)			(1)	
	204.21-01-10	小压脚	Presser Foot (small)					(1)		
	205.21-01-10	小压脚	Presser Foot (small)				(1)			
12	201.21-01-11G	压脚底板	Presser Foot Plate	(1)	(1)					
	203.21-01-11	压脚底板	Presser Foot Plate			(1)				
	204.21-01-11	压脚底板	Presser Foot Plate					(1)		
	205.21-01-11	压脚底板	Presser Foot Plate				(1)			
	206.21-01-11	压脚底板	Presser Foot Plate						(1)	
13	203.21-01-12	压脚底板连接螺钉	Screw			(1)	(1)		(1)	
	204.21-01-12	压脚底板连接螺钉	Screw					(1)		
14	203.21-01-13	小压脚固定螺母	Nut			(1)	(1)		(1)	
15	203.21-01-14	小压脚弹簧	Presser Foot Spring			(1)	(1)		(1)	
16	203.21-01-15	小压脚弹簧定位片	Positioning Plate			(1)	(1)		(1)	
17	203.21-01-16	小压脚活动轴	Moving Shaft			(1)	(1)		(1)	
18	203.21-01-17	锁紧螺母	Setscrew			(1)	(1)		(1)	
19	201.21-01-18	压脚柄压板	Presser Plate	(1)	(1)					
20	02-508440623-1	压脚柄压板固定螺钉	Setscrew	(1)	(1)					
21	201.21-01-20G	挡布板	Retainer	(1)	(1)					
22	02-506560321-1	挡布板固定螺钉	Setscrew	(1)	(1)	(1)	(1)		(1)	
23	204.21-01-22	压脚支撑板	Presser Foot Support Plate					(1)		



22. 附件部分 (一)

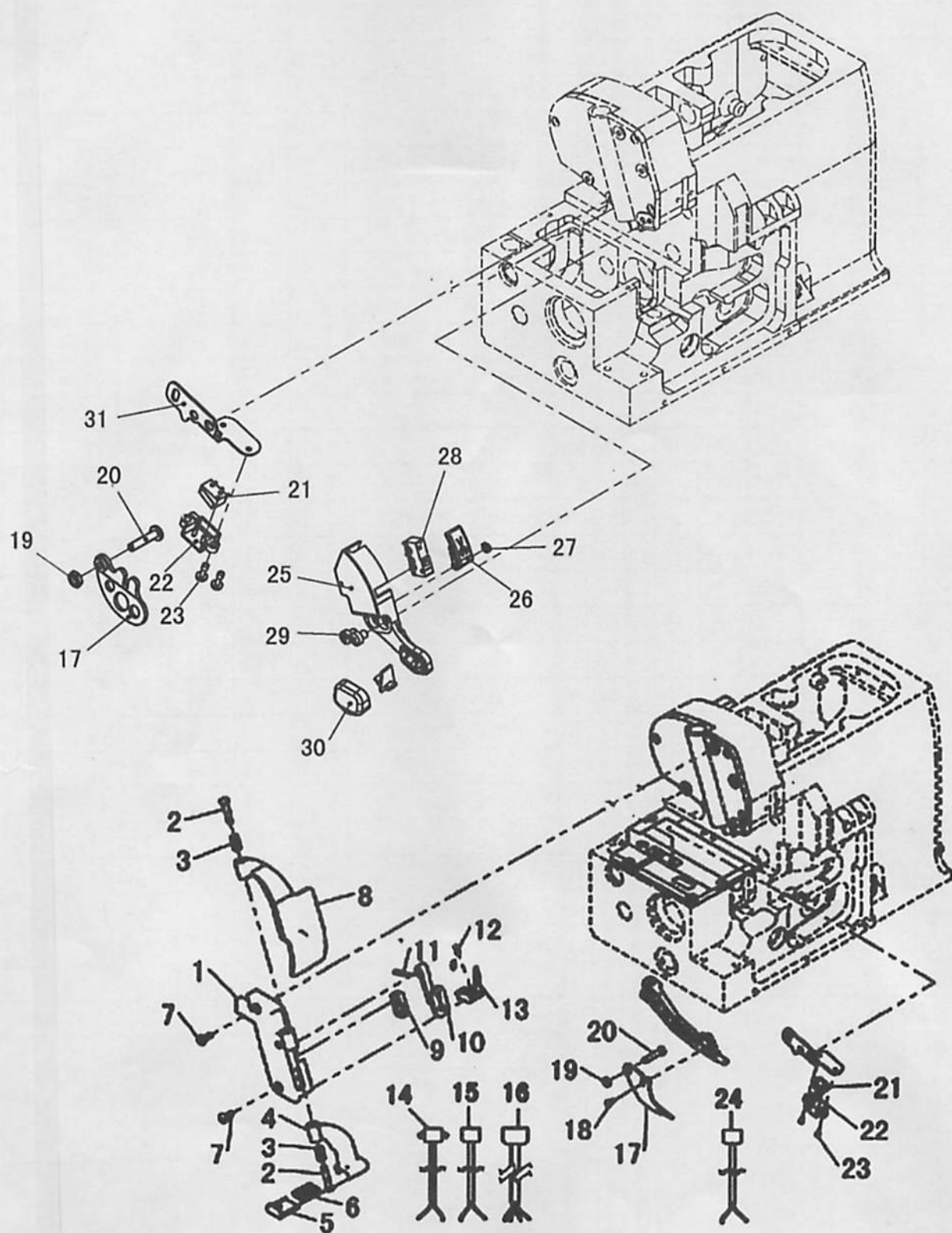
序号	图号	名称		3 线	4 线	5 线	5 宽	5 厚	6 线	备注
		中文	英文							
1	210.22-01G1	台板	Table(Semi-Sunken)	{1}	{1}	{1}	{1}	{1}	{1}	
2	209.22-11	托架	Bracket	{2}	{2}	{2}	{2}	{2}	{2}	
3	209.22-15	台板托盘	Frame Holding Plate	{1}	{1}	{1}	{1}	{1}	{1}	
4	209.22-16	固定套	Fixed Sleeve	{4}	{4}	{4}	{4}	{4}	{4}	
5	209.22-14	定位螺钉销	Positioning Screw Pin	{4}	{4}	{4}	{4}	{4}	{4}	
6	201.22-07-08-03	机头防震销垫	Dust-Proof Rubber	{4}	{4}	{4}	{4}	{4}	{4}	
7	01-508004524-1	台板托盘螺钉	Fram Holding Plate Screw	{4}	{4}	{4}	{4}	{4}	{4}	
8	311.20-15	垫片2	Gasket 2	{12}	{12}	{12}	{12}	{12}	{12}	
9	01-404000823-1	托盘螺钉	Tray Screw	{4}	{4}	{4}	{4}	{4}	{4}	
10	311.20-17	橡胶套	Rvbber Sleeve	{4}	{4}	{4}	{4}	{4}	{4}	普通型用
11	311.20-16	内套	Inner Sleeve	{4}	{4}	{4}	{4}	{4}	{4}	普通型用
12	311.20-14	垫片1	Gasket 1	{4}	{4}	{4}	{4}	{4}	{4}	普通型用
13	201.22-07-08-04	台板固定螺套	Holding Plate Bolt	{4}	{4}	{4}	{4}	{4}	{4}	
14	201.22-07-02	漏斗槽上段	Cloth Waste Chute Upper	{1}	{1}	{1}	{1}	{1}	{1}	
15	201.22-07-03	漏斗槽下段	Cloth Waste Chute Lower	{1}	{1}	{1}	{1}	{1}	{1}	
16	201.22-07-04	漏斗槽上段螺钉	Setscrew	{3}	{3}	{3}	{3}	{3}	{3}	
17	201.22-07	大附件箱组件	Big Accessories Box Asm	{1}	{1}	{1}	{1}	{1}	{1}	
18	210.22-04	外包装箱	Packing Box (Outside)	{1}	{1}	{1}	{1}	{1}	{1}	
19	201.22-07-08-09	小油壶	Oil Container	{1}	{1}	{1}	{1}	{1}	{1}	
20	201.22-07-08-10	油漏斗	Oil Funnel	{1}	{1}	{1}	{1}	{1}	{1}	
21	201.22-07-08-11	附件袋	Accessories Bag	{1}	{1}	{1}	{1}	{1}	{1}	
22	210.22-05	说明书	Instruction Manual	{1}	{1}	{1}	{1}	{1}	{1}	
23	201.22-07-08-13	镊子	Tweezers	{1}	{1}	{1}	{1}	{1}	{1}	
24	201.22-07-08-14	双头扳手S8	Double-ended Spanner S8	{1}	{1}	{1}	{1}	{1}	{1}	
25	201.22-07-08-15	内六角扳手S6	Hexagon Spanner S6	{1}	{1}	{1}	{1}	{1}	{1}	
26	201.22-07-08-16	有柄内六角扳手S1.5	Hexagon Spanner S1.5	{1}	{1}	{1}	{1}	{1}	{1}	
27	201.11-21	下切刀	Knife	{1}	{1}	{1}	{1}	{1}	{1}	
28	201.05-32	机针 (DC×27#9)	Needle	{2}	{2}					
	201.05-32G	机针 (DC×27#11)	Needle	{2}	{2}					
	203.05-32	机针 (DC×27#14)	Needle			{2}	{2}		{3}	
	204.05-32	机针 (DC×27#21)	Needle					{2}		
29	201.22-07-08-02	防尘罩	Dust-Proof Cap	{1}	{1}	{1}	{1}	{1}	{1}	
30	201.22-07-08	附件箱组件	Small Accessories Box Asm	{1}	{1}	{1}	{1}	{1}	{1}	
31	201.22-07-08-01	附件箱 (C)	Small Accessories Box (C)	{1}	{1}	{1}	{1}	{1}	{1}	
32	210.22-03G	泡沫箱组件	Foam Box ASM	{1}	{1}	{1}	{1}	{1}	{1}	
33	210.22-03-01G	泡沫箱 (上)	Foam Box (Up)	{1}	{1}	{1}	{1}	{1}	{1}	
34	210.22-03-02G	泡沫箱 (下)	Foam Box (Down)	{1}	{1}	{1}	{1}	{1}	{1}	
35	201.22-06A	大油壶	Oil Pot	{1}	{1}	{1}	{1}	{1}	{1}	



22. 附件部分 (二)

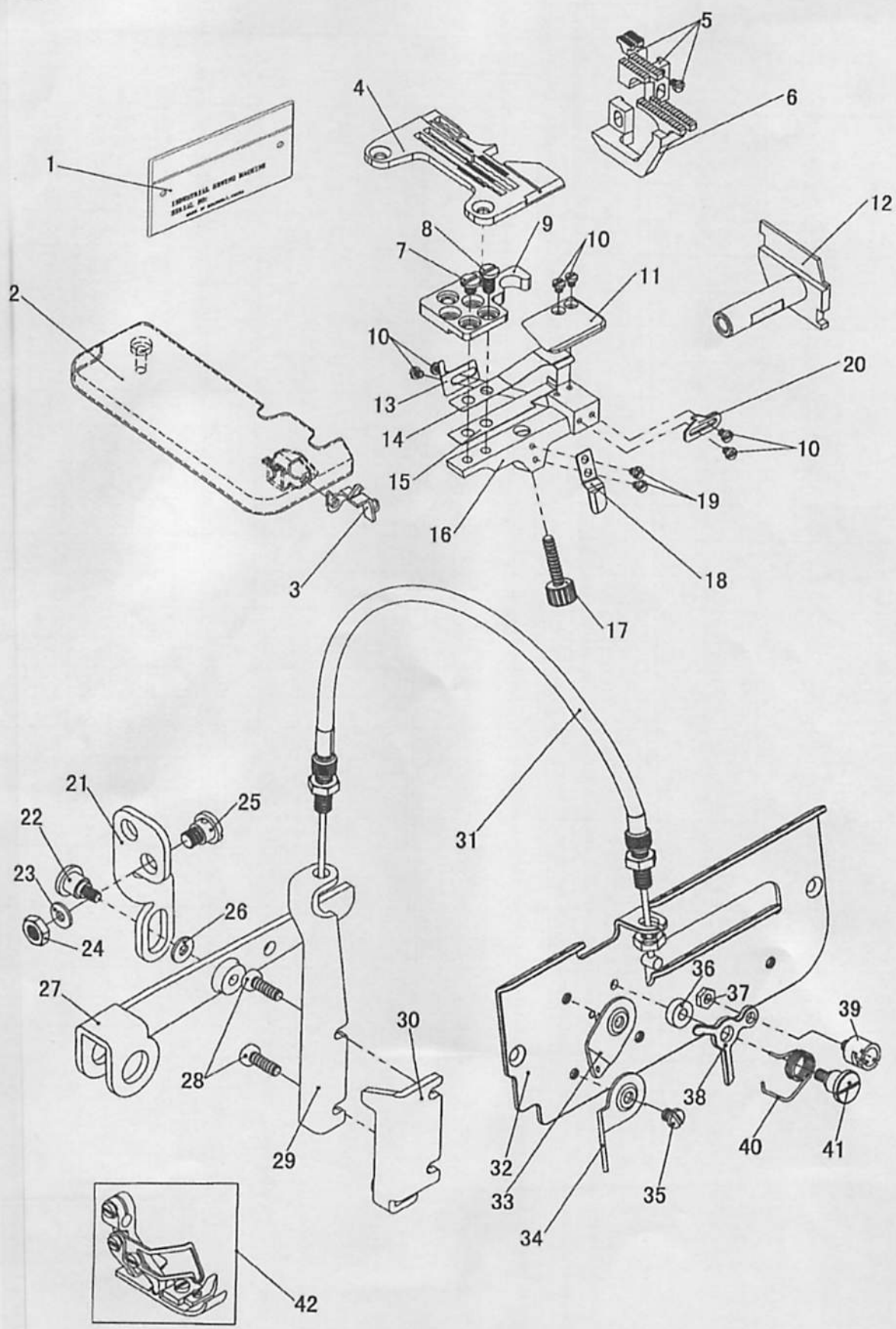
序号	图号	名称		3 线	4 线	5 线	5 宽	5 厚	6 线	备注
		中文	英文							
36	201.22-07-09	中附件箱组件	Center Accessories Box ASM	{1}						
	202.22-07-09	中附件箱组件	Center Accessories Box ASM		{1}					
	203.22-07-09	中附件箱组件	Center Accessories Box ASM			{1}	{1}	{1}		
	206.22-07-09	中附件箱组件	Center Accessories Box ASM						{1}	
37	201.22-07-09-01	中附件箱 (B)	Center Accessories Box (B)	{1}	{1}	{1}	{1}	{1}	{1}	
38	201.22-07-09-02	线架上管	Thread Standing Pipe (upper)	{1}	{1}	{1}	{1}	{1}	{1}	
39	201.22-07-09-03	线架下管	Thread Standing Pipe (lower)	{1}	{1}	{1}	{1}	{1}	{1}	
40	201.22-07-09-04	过线臂 (长)	Thread Guide Arm (long)	{2}		{2}	{2}	{2}	{2}	
	202.22-07-09-04	过线臂 (短)	Thread Guide Arm (short)		{4}	{2}	{2}	{2}	{2}	
41	201.22-07-09-05	张扣	Thread Guide Arm Joint	{2}	{4}	{4}	{4}	{4}	{4}	
42	201.22-07-09-06	张扣螺钉	Thread Guide Arm Joint Screw	{2}	{4}	{4}	{4}	{4}	{4}	
43	201.22-07-09-07	过线磁眼	Thread Guide Hole	{3}	{4}	{5}	{5}	{5}	{5}	
44	201.22-07-09-08	螺母	Nut	{2}	{4}	{4}	{4}	{4}	{4}	
45	201.22-07-09-09	大固定夹螺钉A	Setscrew A	{1}	{1}	{1}	{1}	{1}	{1}	
46	201.22-07-09-10	固定夹螺钉B	Setscrew B	{3}	{3}	{3}	{3}	{3}	{3}	
47	201.22-07-09-11	大固定夹	Thread Standing Guide Base(big)	{1}	{1}	{1}	{1}	{1}	{1}	
48	201.22-07-09-12	固定夹连接杆	Thread Standing Guide Arm	{1}	{1}	{1}	{1}	{1}	{1}	
49	201.22-07-09-13	螺母	Nut	{5}	{6}	{7}	{7}	{7}	{7}	
50	201.22-07-09-14	上下管接头	Thread Standing Rod Joint	{1}	{1}	{1}	{1}	{1}	{1}	
51	201.22-07-09-15	接头螺钉	Screw	{2}	{2}	{2}	{2}	{2}	{2}	
52	201.22-07-09-16	穿线杆	Thread Standing Thread Guide	{1}	{1}	{1}	{1}	{1}	{1}	
53	201.22-07-09-17	小固定夹	Thread Standing Guide Base(small)	{1}	{1}	{1}	{1}	{1}	{1}	
54	201.22-07-09-18	下管垫片	Washer	{2}	{2}	{2}	{2}	{2}	{2}	
55	201.22-07-09-19	弹簧垫	Spring Washer	{1}	{1}	{1}	{1}	{1}	{1}	
56	201.22-07-09-20	大螺母	Big Nut	{1}	{1}	{1}	{1}	{1}	{1}	
57	201.22-07-09-21	线圈芯	Spool Retainer	{3}	{4}	{5}	{5}	{5}	{5}	
58	201.22-07-09-22	线圈轴	Spool Pin	{3}	{4}	{5}	{5}	{5}	{5}	
59	201.22-07-09-23	线盘垫	Spool Rest Cushion	{3}	{4}	{5}	{5}	{5}	{5}	
60	201.22-07-09-24	线盘	Spool Rest	{3}	{4}	{5}	{5}	{5}	{5}	
61	201.22-07-09-25	弹性垫圈	Spring Washer	{3}	{4}	{5}	{5}	{5}	{5}	
62	201.22-07-09-26	上管盖帽	Thread Stand Rod Rubber Cap	{1}	{1}	{1}	{1}	{1}	{1}	

本页仅供参考



23. 参考部件

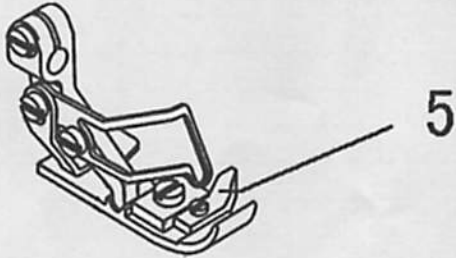
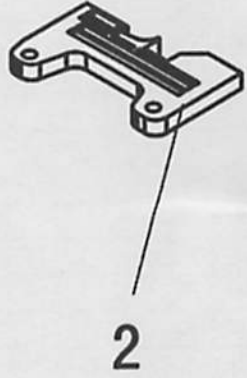
序号	图号	名称		3 线	4 线	5 线	5 宽	5 厚	6 线	备注
		中文	英文							
1	246.27-01	感应器前盖	Automatic Sensor Bracket	1	1	1	1	1	1	
2	01-404002323-3	螺钉	Screw	2	2	2	2	2	2	
3	246.27-41	护目镜弹簧	Eye Protection Glasses Spring	2	2	2	2	2	2	
4	246.26-01	照明灯外罩	Lamp Housing	1	1	1	1	1	1	
5	246.26-02	照明灯外罩盖	Lamp Housing Cover	1	1	1	1	1	1	
6	JL-05	LED照明灯	LED Lighting	1	1	1	1	1	1	
7	01-404001023-1	螺钉	Screw	2	2	2	2	2	2	
8	246.26-03	护目镜	Eye Protection Glasses	1	1	1	1	1	1	
9	S-3-SS5F	微动开关	Micro Switch	1	1	1	1	1	1	
10	246.27-02	剪刀按钮	Scissors Button	1	1	1	1	1	1	
11	246.27-21	剪刀按钮弹簧	Scissors Button Spring	1	1	1	1	1	1	
12	D-210	发射管	Launch Tube	1	1	1	1	1	1	
13	246.27-03	发射感应器外壳	Launch Sensor Housing	1	1	1	1	1	1	
14	L-N17	照明灯连接线	Lighting Cable ASM	1	1	1	1	1	1	
15	L-N16	剪线连接线	Cut Line Cable ASM	1	1	1	1	1	1	
16	L-N15	电眼信号(发射)连	Sensor Cable ASM(launch)	1	1	1	1	1	1	
17	246.27-04	护片	Conservation Piece	1	1					
	210.27-04	护片	Conservation Piece			1	1	1	1	
18	01-503000421-1	螺钉	Screw	1	1	1	1	1	1	
19	03-604000220-3	六角螺母(薄)	Nut	1	1	1	1	1	1	
20	210.27-05	微动开关调整螺杆	Micro Switch Adjustment Screw	1	1	1	1	1	1	
21	210.27-28	微动开关(弹片式)	Micro Switch (shrapnel-type)	1	1	1	1	1	1	
22	210.27-07	安全开关外罩	Safety Switch Housing	1	1	1	1	1	1	
23	01-403000623-1	十字一字槽盘头螺钉	Screw	2	2	2	2	2	2	
24	L-N19	安全开关连接线(压)	Safety Switch Cable (presser f	1	1	1	1	1	1	
25	210.27-01	自动感应器支架	Automatic Sensor Bracket	1	1	1	1	1	1	
26	210.27-02	剪刀按钮	Scissors Button	1	1	1	1	1	1	
27	210.27-21	安全开关复位簧	Safety Switch Reset Spring	1	1	1	1	1	1	
28	210.27-27	微动开关	Micro Switch	1	1	1	1	1	1	
29	01-404000823-1	十字一字槽盘头螺钉	Screw	2	2	2	2	2	2	
30	210.27-03	启动感应器盖	Start Sensor Lid	1	1	1	1	1	1	
31	210.27-06	压板	Platen	1	1	1	1	1	1	



24. SS6804(T)-82三线、SS6814(T)-83四线倒回缝(封口机)专用件

序号	图号	名称		三线	四线A	四线B	备注
		中文	英文				
1	H0-004	综合型号牌	Comprehensive Model Plate	1	1	1	
2	207.03-22G	缝台组件	Cloth Base ASM	1	1	1	
3	207.03-27	缝台闸	Cloth Base Switch-type Stopper	1	1	1	
4	207.06-17G1	针板	Needle Plate	1			
	208.06-17G1	针板	Needle Plate			1	
	208.06-17G	针板	Needle Plate		1		
5	207.10-36	主送布牙组件	Main Feed Dog Components	1	1		
	208.10-36	主送布牙组件	Main Feed Dog Components			1	
6	207.10-30	差动牙	Ratio dog	1	1		
	208.10-30	差动牙	Ratio dog			1	
7	01-604000421-1	螺钉	Screw	1	1	1	
8	01-604000821-1	螺钉	Screw	1	1	1	
9	207.06-12G	针板座	Needle Plate Base	1	1	1	
10	01-525000321-1	螺钉	Screw	6	6	6	
11	207.24-26	压线板	Plate	1	1	1	
12	207.11-19G	下切刀架	Lower Knife Slide Stud	1	1	1	
13	207.24-25	线头定位钩	Stopper	1	1	1	
14	207.24-24	夹线簧片	Thread Holder	1	1	1	
15	207.24-23	调压簧片	Spring	1	1	1	
16	207.24-19	切刀座	Plain Knife Support	1	1	1	
17	207.24-22	调压螺钉	Screw	1	1	1	
18	207.24-20	止动簧片	Stopper	1	1	1	
19	01-525000221-1	螺钉	Screw	2	2	2	
20	207.24-21	割线刀	Plain Knife	1	1	1	
21	207.24-09	抬压杠杆连接板	Bracket	1	1	1	
22	207.24-11	螺钉	Screw	1	1	1	
23	05-064161200-1	垫圈	Washer	1	1	1	
24	03-606000350-1	螺母	Nut	1	1	1	
25	207.24-12	钢丝螺钉	Screw	1	1	1	
26	05-043101203-5	垫圈	Washer	1	1	1	
27	207.13-16	抬压脚杠杆组件	Lifting Lever Link ASM	1	1	1	
28	01-404001423-1	支撑板螺钉	Screw	2	2	2	
29	207.24-10	支撑板	Bracket	1	1	1	
30	201.13-19	抬压脚杠杆限位板	Lifting Level Link Limited Board	1	1	1	
31	207.24-13	松线钢丝组件	Steel Wire ASM(Long)	1	1	1	
32	207.16-03	过线板	Thread Tension Plate	1	1	1	
33	201.16-01	过线板C	Thread Tension Disk (C)		1	1	
34	201.16-01G	过线板C	Thread Tension Disk (C)	1			
35	02-611400621-1	过线板螺钉	Screw	1	1	1	
36	207.24-18	松线垫	Separator Washer	1	1	1	
37	03-604000320-1	螺母	Nut	1	1	1	
38	207.24-17	松线片	Separator Plate	1	1	1	
39	207.24-14	管螺丝	Screw	1	1	1	
40	207.24-16	松线扭簧	Spring	1	1	1	
41	207.24-15	台螺钉	Screw	1	1	1	
42	207.21-01	压脚组件	Presser Foot Components	1			
	208.21-01	压脚组件	Presser Foot Components		1		
	208.21-01G	压脚组件	Presser Foot Components			1	

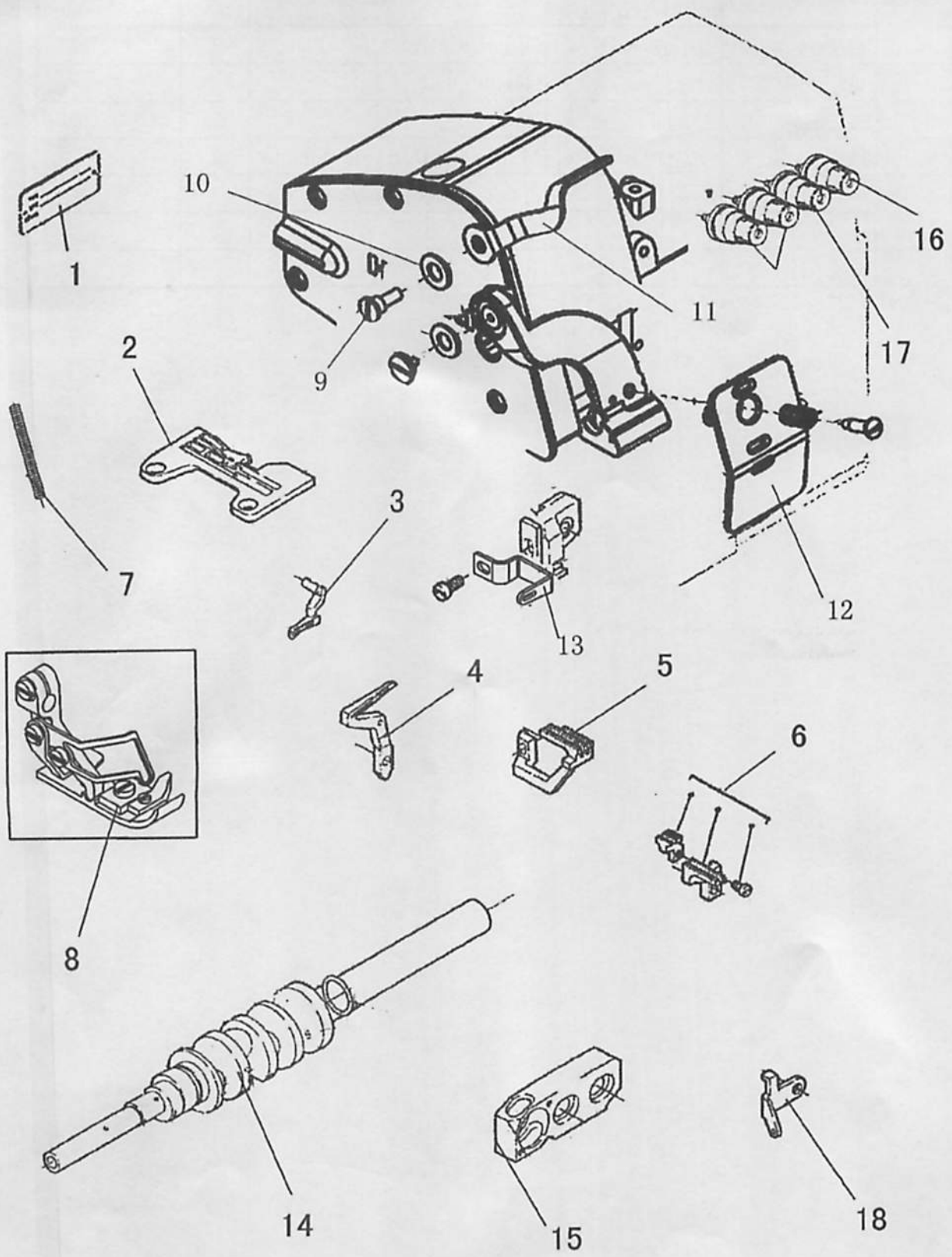
注:SS6804(T)-82在SS6804(T)-02三线基础上、SS6814(T)-83在SS6814(T)-03四线基础上.四线A为双排牙,四线B为三排牙



25. SS6804(T)-32R2三线手帕缝专用件

序号	图号	名称		件数	备注
		中文	英文		
1	H0-004	综合型号牌	Comprehensive Model Plate	1	
2	241.06-17	针板	Needle Plate	1	
3	241.10-30	差动牙	Ratio dog	1	
4	241.10-36	主送布牙组件	Main Feed Dog Components	1	
5	241.21-01	压脚组件	Presser Foot Components	1	

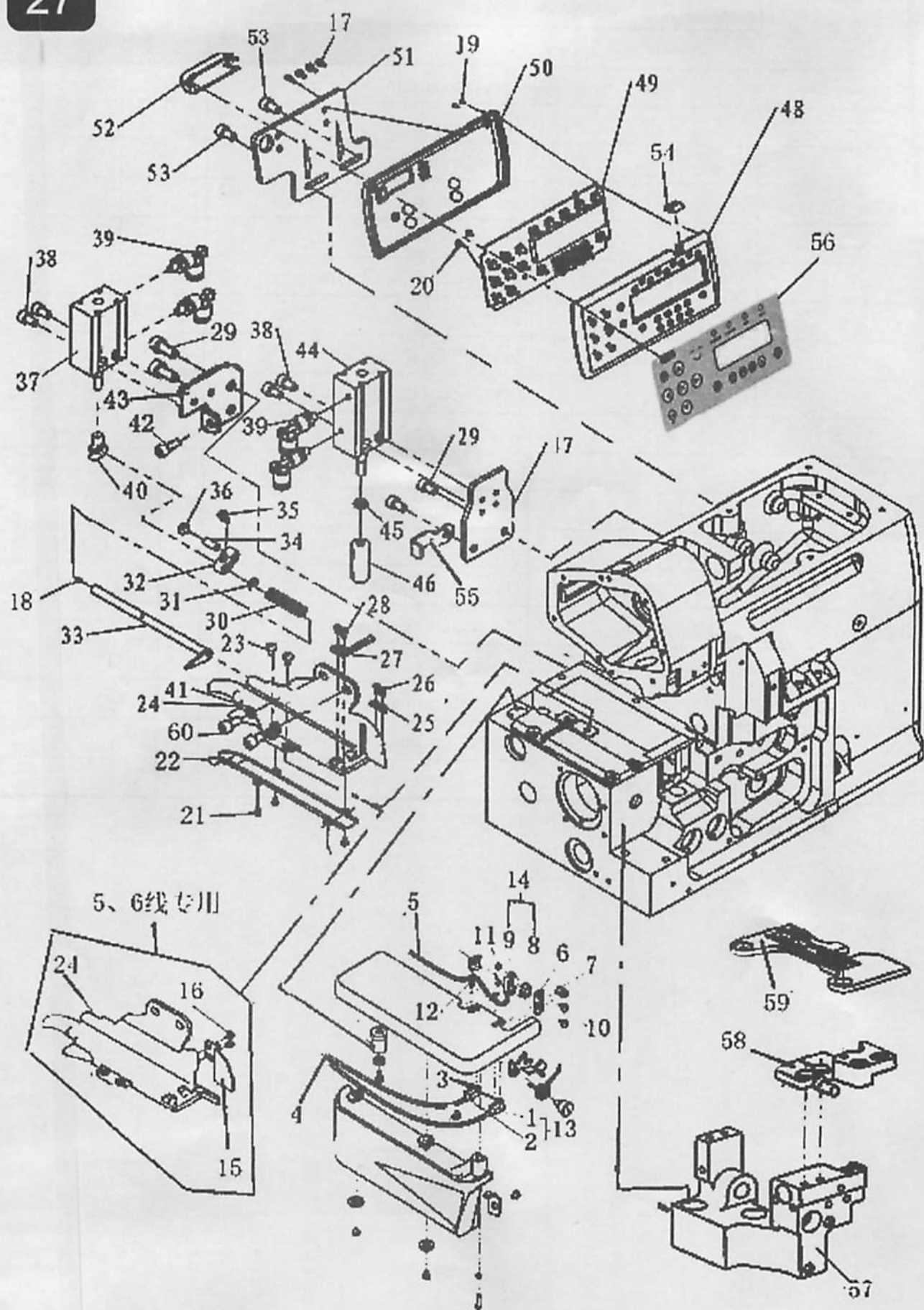
注:SS6804(T)-32R2在SS6804(T)-02三线基础上



26. SS6814(T)-53肩带缝及HX6814(T)-54厚料肩带缝专用件

序号	图号	名称		普通	厚料	备注
		中文	英文			
1	H0-004	综合型号牌	Comprehensive Model Plate	1	1	
2	243.06-17	针板	Needle Plate		1	
3	243.07-26	上弯针	Upper Loooper		1	
4	243.08-10	下弯针	Lower Loooper		1	
5	243.10-30	差动牙	Ratio dog		1	
6	243.10-36	主送布牙组件	Main Feed Dog Components		1	
7	260.13-29	弹簧	Spring	1	1	
8	242.21-01	压脚组件	Presser Foot Components	1		
	243.21-01	压脚组件	Presser Foot Components		1	
9	291.29-47	过线板螺钉	Screw	1	1	
10	08-0700311-1	波形弹性垫圈	Cushion	1	1	
11	291.22-08	过带板A	Thread Tension Disk (A)	1	1	
12	260.26-03A	护目镜	Light Goggles	1	1	兼容过带功能
13	242.22-10	过带板C	Thread Tension Disk (C)	1	1	
14	204.04-10	主轴组件	Mainshaft Components		1	
15	204.07-31	摇杆座	Upper Loooper Guide Support		1	
16	204.16-02 C	夹线器组件C	Thread Tension Components C		1	
17	204.16-02 D	夹线器组件D	Thread Tension Components D		1	
18	204.18-04	上弯针过线板 (A)	Upper Loooper Thread Guide Disk A		2	

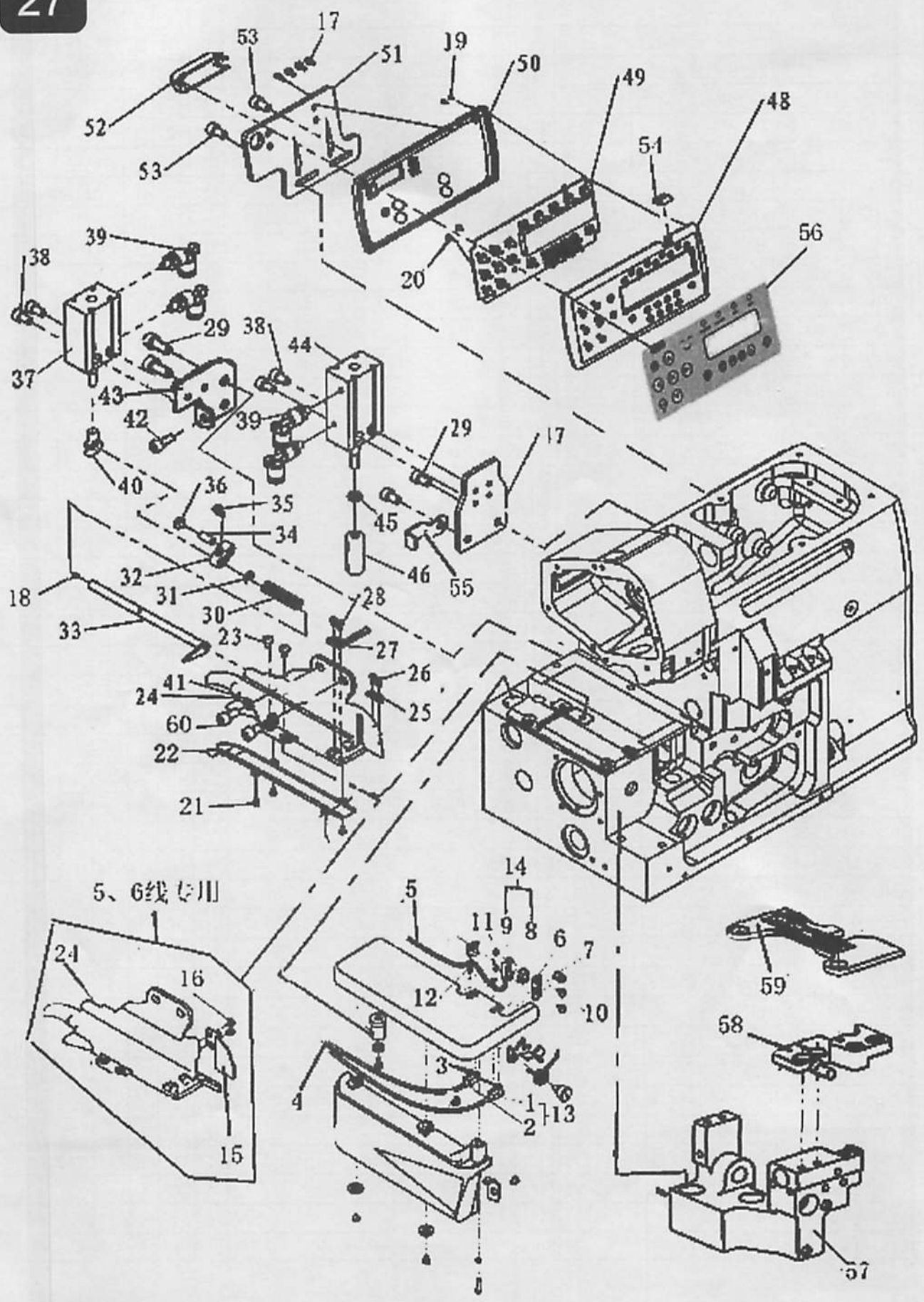
注:SS6814(T)-53及SS6814(T)-54在SS6814(T)-03四线基础上



27. 自动感应器部分(一)

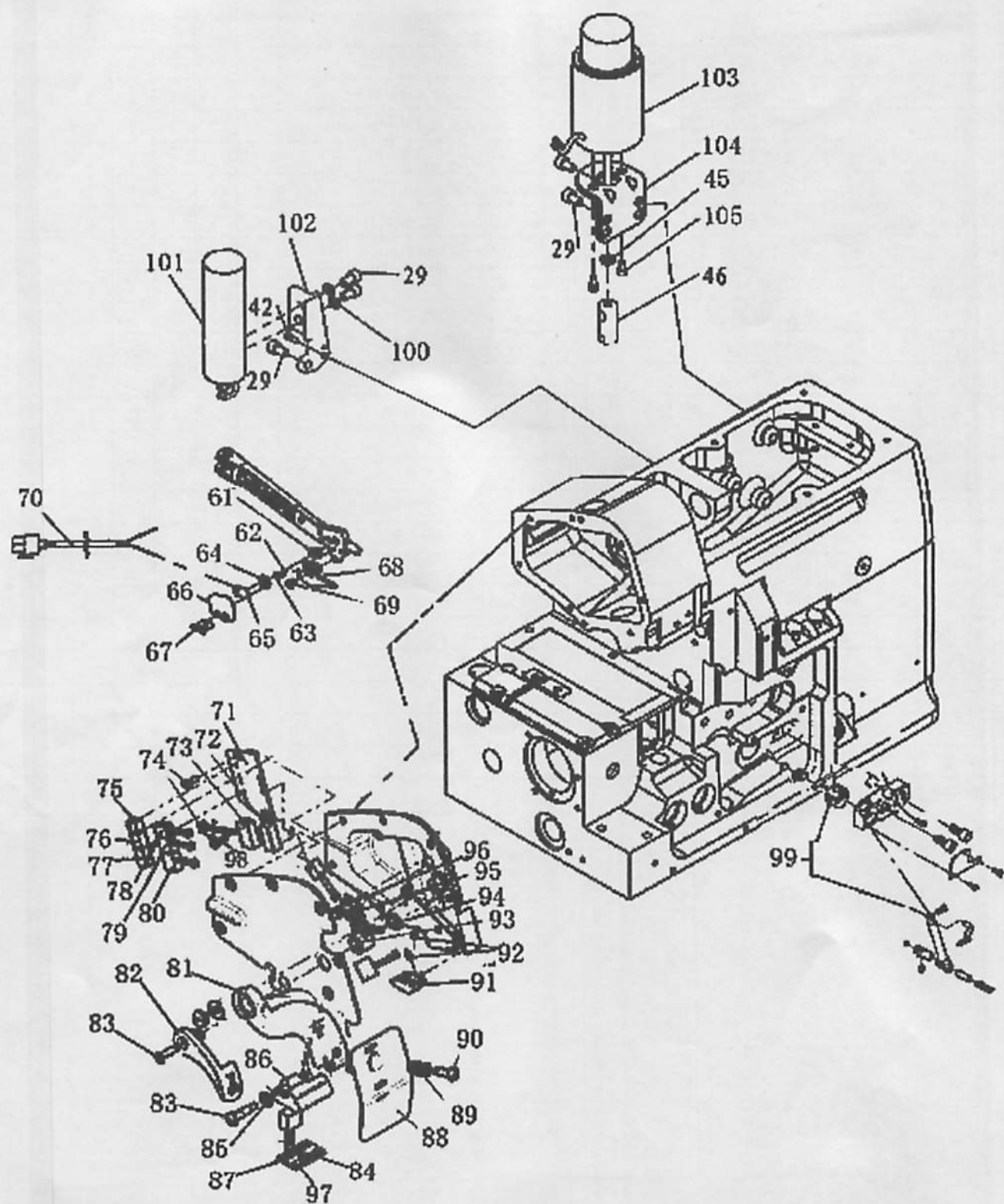
序号	图号	名称		3 线	4 线	5 线	5 宽	5 厚	6 线	备注
		中文	英文							
1	246.27-10A	前感应器外壳	Before the sensor housing	1	1	1	1	1	1	
2	246.27-42A	后感应器外壳	After the sensor housing	1	2	2	2	2	2	
3		接收管	Receiver tube	2	2	2	2	2	2	
4	L-N39	载波电眼信号(接收)连接	Carrier signal connecting line	1	1	1	1	1	1	
5	L-N36	缝台安全开关连接线AK3	Sewing bed seitch connecting line	1	1	1	1	1	1	
6	246.27-43	安全开关支架	Safety Switch Base	1	1	1	1	1	1	
7	01-40400823-1	螺钉	Screw	1	2	2	2	2	2	
8	210.27-28	微动开关(弹片式)	Safety Switch	1	1	1	1	1	1	
9	210.27-07	安全开关外罩	Safety Switch Housing	1	1	1	1	1	1	
10	01-403001022-3	螺钉	Screw	2	1	1	1	1	1	
11	03-603000240-3	六角螺母	Nut	2	1	1	1	1	1	
12	01-1030006232-3	螺钉	Screw	2	1	1	1	1	1	
13	HXT8-13(AK2)	接收感应器组件	Incept Sensor ASM	1	1	1	1	1	1	
14	HXT8-12(AK2)	安全开关组件	Safety Switch ASM	1	1	1	1	1	1	
15	260.27-23	吸风挡布板	Suction guide plate cutting line			1	1	1	1	
16	01-603000421-1	一字薄帽螺钉	Screw			2	2	2	2	
17	18-404001223-3	三组合十字盘头螺钉	Screw	4	4	4	4	4	4	
18	01-804000414-1	无帽内六角螺钉	Screw	1	1	1	1	1	1	
19	20-4291032-3	十字槽盘头自攻螺钉	Screw	2	2	2	2	2	2	
20	20-4290932-3	十字槽盘头自攻螺钉	Screw	2	2	2	2	2	2	
21	01-103000421-1	一字槽沉头螺钉	Screw	4	4	4	4	4	4	
22	246.27-09	吸风管盖	Suction Tube Cover	1	1	1	1	1	1	
23	01-604000821-1	开槽圆柱头螺钉	Screw	2	2	2	2	2	2	
24	246.27-08	剪线吸风导向板	Suction Guide Plate Cutting Line	1	1					
	246.27-08G	剪线吸风导向板	Suction Guide Plate Cutting Line			1	1	1	1	
25	246.27-22	定刀调整块	Adjust The Fixed Knife Block	1	1	1	1	1	1	
26	01-303000623-3	螺钉	Screw	2	2	2	2	2	2	
27	246.27-11	定刀	Fixed Knife	1	1	1	1	1	1	
28	01-603000421-1	开槽圆柱头螺钉	Screw	2	2	2	2	2	2	
29	01-506001024-1	内六角圆柱头螺钉	Screw (M6×12)	4	4	4	4	4	4	
30	246.27-13	切刀压簧	Cutter Pressure Spring	1	1	1	1	1	1	
31	06-0500610-1	动刀弹簧挡圈	Mobile Knife Spring Ring	1	1	1	1	1	1	
32	246.27-17	切刀连杆	Cutter Link	1	1	1	1	1	1	
33	246.27-12	动刀	Mobile Knife	1	1	1	1	1	1	
34	210.27-16	切刀连杆销	Cutter Link Pin	1	1	1	1	1	1	
35	01-504000824-1	内六角圆柱头螺钉	Screw	1	1	1	1	1	1	
36	210.27-18	切刀连杆销螺钉	Screw	1	1	1	1	1	1	
37	210.27-30-00	自由安装型汽缸(剪线刀)	Free Mount Cylinder(shear line group)	1	1	1	1	1	1	
38	01-505002524-1	内六角圆柱头螺钉	Screw (M5×15)	4	4	4	4	4	4	
39	210.27-29	调速接头	Control Joints	4	4	4	4	4	4	
40	210.27-15	滑杆	Slider	1	1	1	1	1	1	

556816 F-04 UTC2 / AK-CF



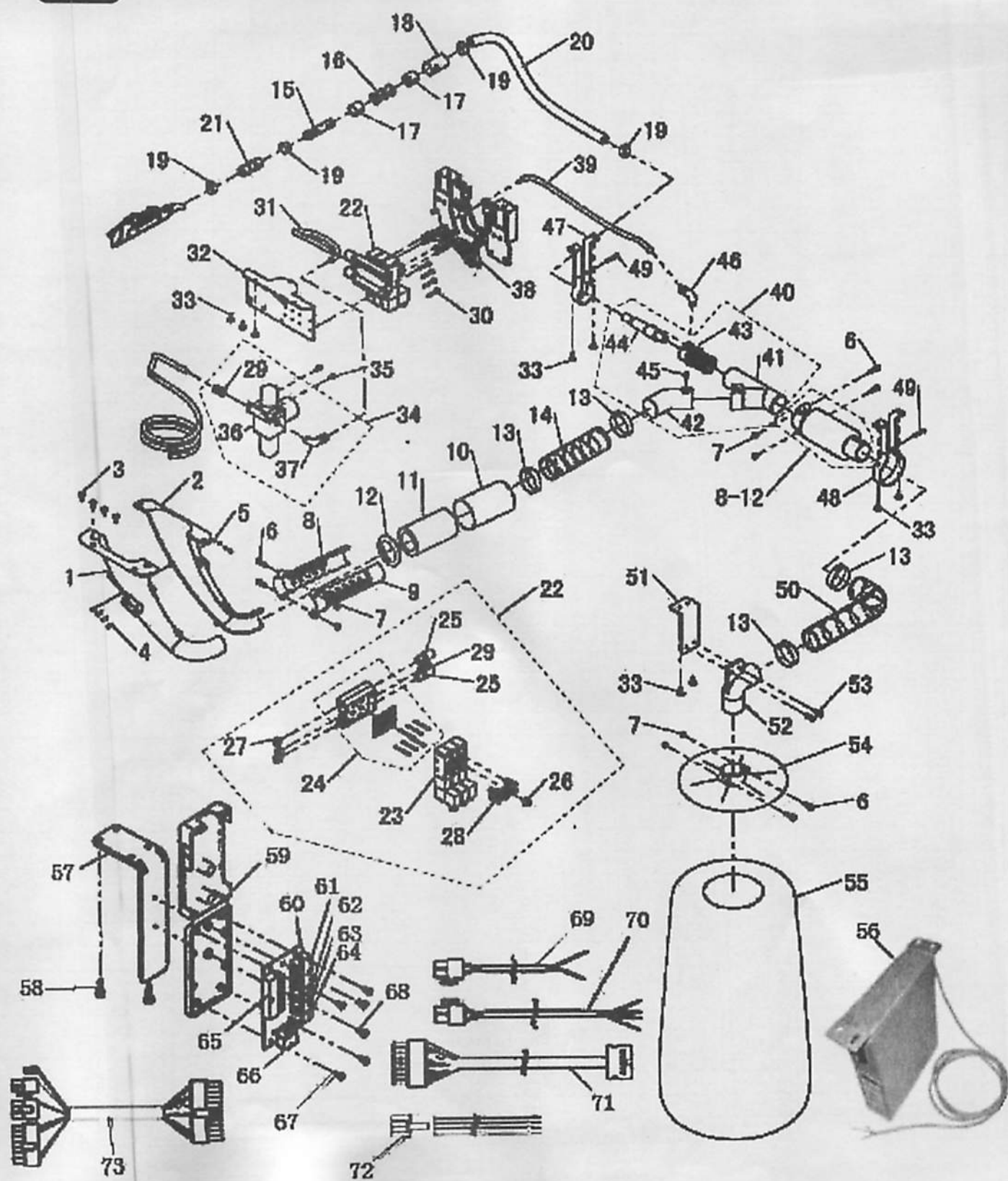
27. 自动感应器部分 (二)

序号	图号	名称		3 线	4 线	5 线	5 宽	5 厚	6 线	备注
		中文	英文							
41	07-0631616-1	弹簧垫片	Spring Washer	2	2	2	2	2	2	
42	01-505001224-1	内六角圆柱头螺钉	Screw	1	1	1	1	1	1	
43	260.29-28	剪线汽缸支撑板	Shear Line Cylinder Support Board	1	1	1	1	1	1	
44	210.27-31	自由安装型汽缸 (拾压)	Free Mount Cylinder(lift pressure)	1	1	1	1	1	1	
45	03-606000350-4	调节螺母	Nut	1	1	1	1	1	1	
46	210.27-20	压脚汽缸压头	Pressure Cylinder Head	1	1	1	1	1	1	
47	210.27-19	压脚汽缸支撑座	Pressure Cylinder Support Block	1	1	1	1	1	1	
48	CP01-02-A00	操作面板前盖	Operation Panel Front Cover	1	1	1	1	1	1	
49	CP05-07-0A0	PCB板	PCB Board	1	1	1	1	1	1	
50	CP01-03-A00	操作面板后盖	Operation Panel Back Cover	1	1	1	1	1	1	
51	210.27-36	操作面板安装板	Operation Panel Installation Plate	1	1	1	1	1	1	
52	CP01-04-A00	操作面板引出线盖	Operation Panel Pinout Cover	1	1	1	1	1	1	
53	18-405001223-3	三组合十字一字盘头螺钉	Screw	2	2	2	2	2	2	
54	CP01-05-A00	指示灯盖	Light Cover	1	1	1	1	1	1	
55	260.27-50	压线板	Thread Presser Disk	1	1	1	1	1	1	
56	CP05-08-A00	操作面板PVC贴膜	Operation Panel PVC Stickers	1	1	1	1	1	1	
57	246.01-10	针板支座	Needle Board Supporting	1	1	1	1	1	1	
58	246.06-12	针板座	Needle Plate Base	1	1	1	1	1	1	
59	246.06-17	针板	Needle Plate	1						
	247.06-17	针板	Needle Plate		1					
	248.06-17	针板	Needle Plate			1				
	250.06-17	针板	Needle Plate				1			
	249.06-17	针板	Needle Plate					1		
	256.06-17	针板	Needle Plate						1	
60	01-506001224-1	内六角圆柱头螺钉	Screw (M6×12)	2	2	2	2	2	2	



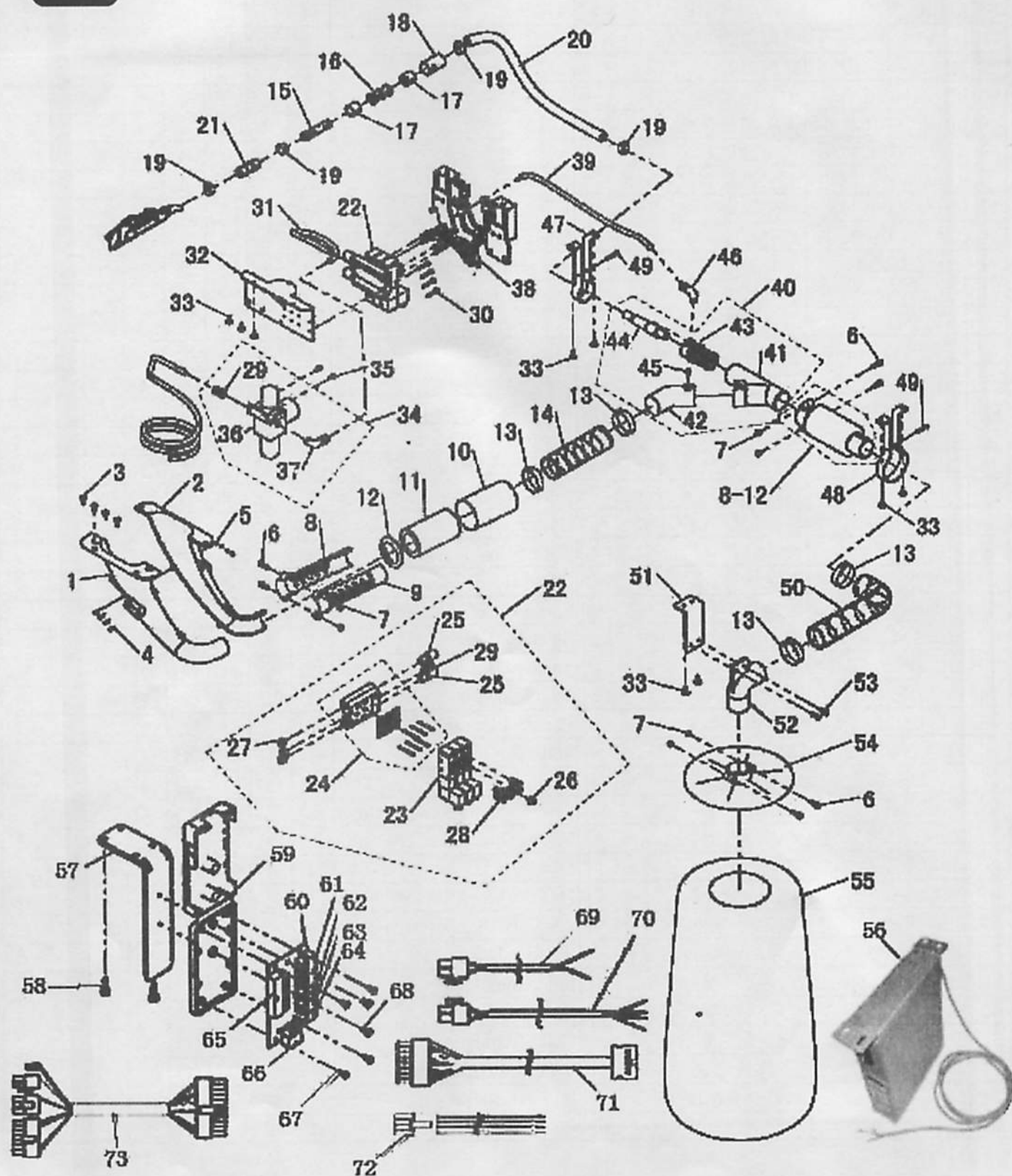
27. 自动感应器部分 (三)

序号	图号	名称		3 线	4 线	5 线	5 宽	5 厚	6 线	备注
		中文	英文							
61	260.29-01-02	安全开关定位套	Safety switch Positioning Collar	1	1	1	1	1	1	
62	260.29-01-04	钢珠	Steel Ball	1	2	2	2	2	2	
63	260.29-01-03	安全开关压簧	Safety switch spring	1	1	1	1	1	1	
64	S-1-B3FS1002	轻触式开关	Light-touch Switch	1	1	1	1	1	1	
65	P-058-h08v01	安全开关PCB板	Safety Switch PCB Board	1	1	1	1	1	1	
66	260.29-01-01	安全开关外壳	Safety Switch Cover	1	1	1	1	1	1	
67	01-103000822-3	沉头十字螺钉	Screw	2	2	2	2	2	2	
68	260.27-04	护片	Conservation Piece	1	1					
	271.27-04	护片	Conservation Piece			1	1		1	
	276.27-04	护片	Conservation Piece					1		
69	01-503000421	圆柱头一字螺钉	Screw	1	1	1	1	1	1	
70	L-N37	压脚开关连接线	Presser seitch Connecting line	1	1	1	1	1	1	
71	P-056-h16V05	发射感应PCB板	Sensor PCB Panel	1	1	1	1	1	1	
72	J-D-HX25003-6WA	连接器针座	connecting line	1	1	1	1	1	1	
73	L-N35	电眼信号发射连接线AK3	Eye signal connecting line	1	1	1	1	1	1	
74	18-403000823-3	十字一字槽盘头三件套组	Screw	2	2	2	2	2	2	
75	J-D-HX25003-2WA	连接器针座	connecting line	1	1	1	1	1	1	
76	J-D-HX25003-3WA	连接器针座	connecting line	1	1	1	1	1	1	
77	J-D-HX25003-4WA	连接器针座	connecting line	1	1	1	1	1	1	
78	DL06-12-A00A	剪刀连线	Scissor switch positioning pin	1	1	1	1	1	1	
79	X-05-32A	照明灯连接线	Light connecting line	1	1	1	1	1	1	
80	X-05-31G	发射感应连接线	Sensor connecting line	1	1	1	1	1	1	
81	260.26-01C	照明灯外罩上	led-light base(above)	1	1	1	1	1	1	
82	260.27-02C	剪刀按钮上	Scissors button	1	1	1	1	1	1	
83	260.29-35	一字槽圆帽螺钉	Screw	2	2	2	2	2	2	
84	DL12-05-00A-03	贴片电阻	chip resister	2	2	2	2	2	2	
85	08-0430308-1	波形垫圈	Elastic cushion	1	1	1	1	1	1	
86	260.26-01-01	照明灯外罩下	Led-light base(under)	1	1	1	1	1	1	
87	P-055-H16V04	照明灯板PCB	Senor PCB panel	1	1	1	1	1	1	
88	260.26-03A	护目镜	Lighting goggles	1	1	1	1	1	1	
89	246.27-41	护目镜弹簧	Lighting goggles spring	1	1	1	1	1	1	
90	260.26-03-01	台阶螺钉	Screw	1	1	1	1	1	1	
91	260.27-03	发射感应器外盖	Senor cover	1	1	1	1	1	1	
92		发射管	Launch tube	2	2	2	2	2	2	
93	260.29-29C	按钮下	Button (lower)	1	1	1	1	1	1	
94	246.27-21	剪线按钮压簧	Scissors button spring	1	1	1	1	1	1	
95	210.27-28	微动开关(弹片式)	Micro switch	1	1	1	1	1	1	
96	260.29-49	剪线开关定位销	Scissor switch positioning pin	2	2	2	2	2	2	
97	DL06-07-00A-08	白色发光二极管	white LED	6	6	6	6	6	6	
98	DL01-15-A00	【尼龙扎带】3×80mm	Nylon strip	1	1	1	1	1	1	
99	201.07-32A	摇杆组件	Upper Looper Holder ASM	1	1	1	1	1	1	
100	07-0631616-1	弹簧垫片	Spring Washer	2	2	2	2	2	2	
101	251.29-03	剪线电磁铁	Thread Trimmer Solenoid	1	1	1	1	1	1	
102	251.29-04	剪线电磁铁支架	Thread Trimmer Solenoid Base	1	1	1	1	1	1	
103	251.29-01	抬压脚电磁铁	Presser Foot Solenoid	1	1	1	1	1	1	
104	251.29-02	压脚电磁铁支架	Presser Foot Solenoid Base	1	1	1	1	1	1	
105	01-505001424-1	内六角螺钉	Screw	2	2	2	2	2	2	



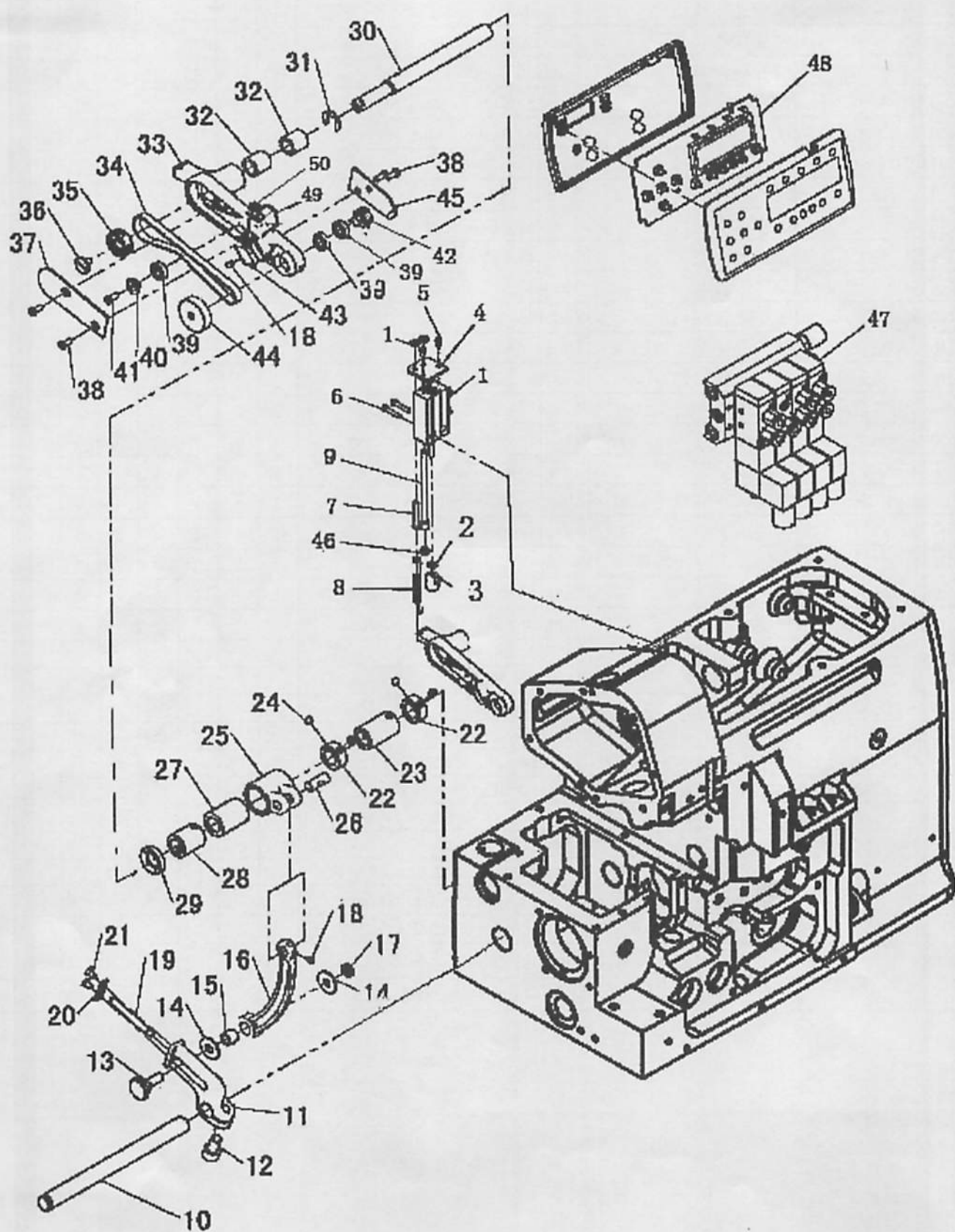
28. 漏斗部分 (一)

序号	图号	名称		3 线	4 线	5 线	5 宽	5 厚	6 线	备注
		中文	英文							
1	210.28-03-01	吸风口L	Suction air L	1	1	1	1	1	1	
2	210.28-03-02	吸风口R	Suction air R	1	1	1	1	1	1	
3	21-2350162-4	十字槽木螺钉	Screw	4	4	4	4	4	4	
4	01-403001022-3	十字槽盘头螺钉	Screw	4	4	4	4	4	4	
5	03-603000240-3	六角螺母	Nut	4	4	4	4	4	4	
6	01-405002022-3	十字盘头螺钉M5*20	Screw	6	6	6	6	6	6	
7	03-605000450-3	六角螺母	Nut	6	6	6	6	6	6	
8	210.28-05-01	消音管L	Silencer Tube L	2	2	2	2	2	2	
9	210.28-05-02	消音管R	Silencer Tube R	2	2	2	2	2	2	
10	210.28-05-03	消音外壳盖	Silencer Outer Covering	2	2	2	2	2	2	
11	210.28-05-04	消音管吸音绵	Sound-absorbing Cotton	2	2	2	2	2	2	
12	210.28-05-05	消音外壳	Silencer Outer Covering	2	2	2	2	2	2	
13	210.28-22	喉咕	Throat Cushions	4	4	4	4	4	4	
14	210.28-24-01	螺旋软管38*150mm	Spiral Hose	1	1	1	1	1	1	
15	210.28-02-01	剪线消音气管	Shear Line Silencer Trachea	1	1	1	1	1	1	
16	210.28-02-02	剪线消音气管调节套	Conditioning Units	1	1	1	1	1	1	
17	210.28-02-03	剪线消音气管消音绵	Silencers Cotton	2	2	2	2	2	2	
18	210.28-02-04	剪线消音气管外套	Bushing	1	1	1	1	1	1	
19	210.28-23	喉咕	Throat Cushions	4	4	4	4	4	4	
20	210.28-41-01	螺旋软管(小)	Spiral Hose	1	1	1	1	1	1	
21	210.28-41-02	螺旋软管(小)	Spiral Hose	1	1	1	1	1	1	
22	210.28-20-00	电磁阀组件	Solenoid Valve ASM	1	1	1	1	1	1	
23	210.28-20-01	电磁阀	Solenoid Valve	(3)	(3)	(3)	(3)	(3)	(3)	
24	210.28-20-02	电磁阀底座	Manifold	(1)	(1)	(1)	(1)	(1)	(1)	
25	210.28-27	塑料消音器	Plastic Silencer	(2)	(2)	(2)	(2)	(2)	(2)	
26	210.28-28	堵头	Plug	(1)	(1)	(1)	(1)	(1)	(1)	
27	210.28-29	堵头	Plug	(3)	(3)	(3)	(3)	(3)	(3)	
28	210.28-30	外螺纹直通	Screw Thread Straight Union	(6)	(6)	(6)	(6)	(6)	(6)	
29	210.28-31	外螺纹直通	Screw Thread Straight Union	(2)	(2)	(2)	(2)	(2)	(2)	
30	18-404002823-3	三组合十字盘头螺钉	Screw	4	4	4	4	4	4	
31	210.28-33	PU管8*5*400mm	Pu Pipe(blue)PU8*5*400mm	1	1	1	1	1	1	
32	210.28-09G	气控磁阀座支撑板	Air Valve Support Board	1	1	1	1	1	1	
33	20-4421632-3	十字槽盘头自攻螺钉	Screw	9	9	9	9	9	9	
34	210.28-21-00A	过滤减压组件	Filter-Regulator	1	1	1	1	1	1	
35	18-404000823-3	三组合十字一字盘头螺钉	Screw	2	2	2	2	2	2	
36	210.28-21	过滤减压阀	Filter-Regulator	(1)	(1)	(1)	(1)	(1)	(1)	
37	210.28-26	L型螺纹弯通	L Thread Bend Pass	(1)	(1)	(1)	(1)	(1)	(1)	
38	210.28-34-01	PU管6*4*600mm	Pu Pipe6*4*600mm	4	4	4	4	4	4	
39	210.28-34-02	PU管6*4*300mm	Pu Pipe6*4*300mm	1	1	1	1	1	1	



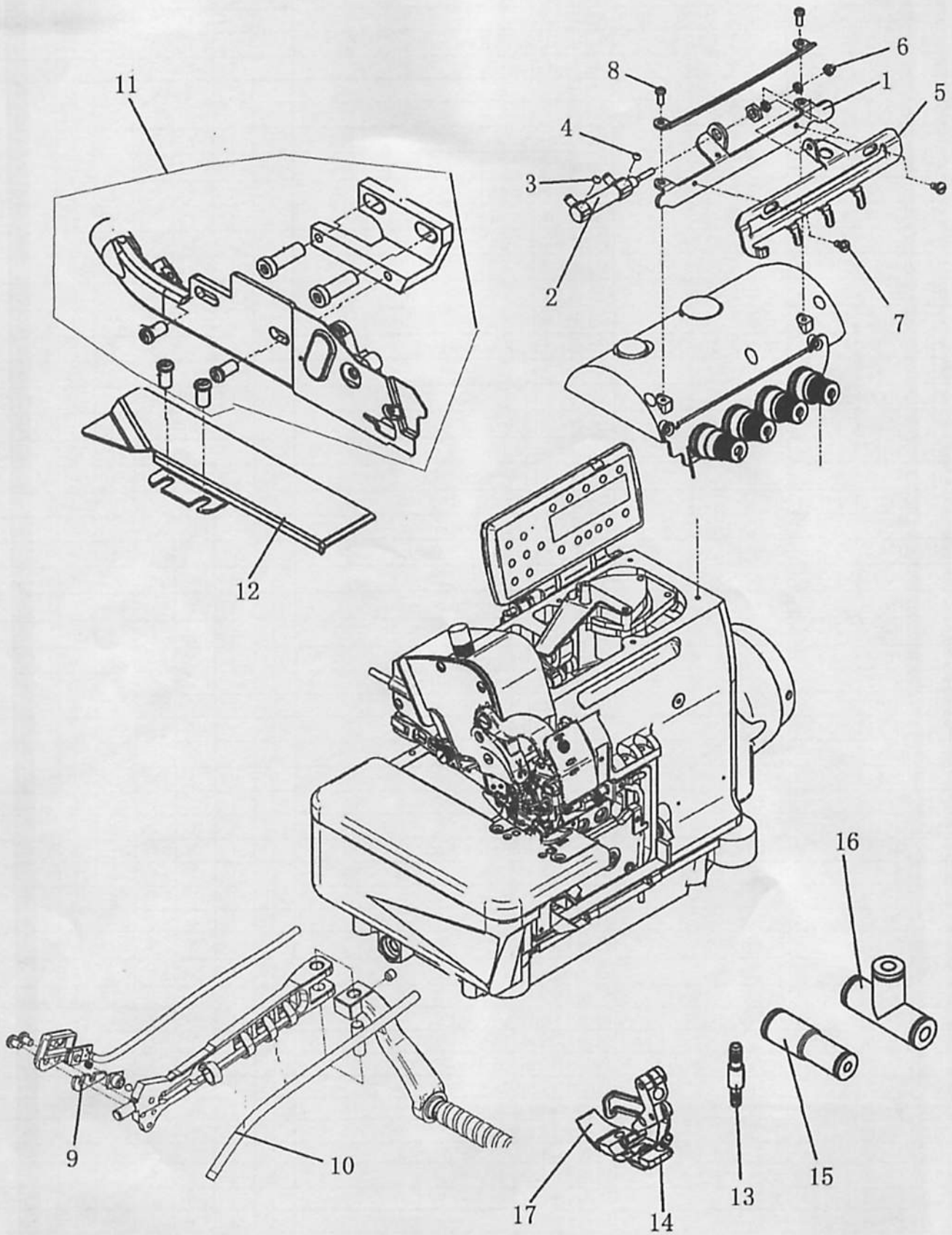
28. 漏斗部分 (二)

序号	图号	名称		3 线	4 线	5 线	5 宽	5 厚	6 线	备注
		中文	英文							
40	246.28-07	气管连接器组件	Tracheal Connector ASM	1	1	1	1	1	2	
41	246.28-07-01	气管连接器	Tracheal Connector	(1)	(1)	(1)	(1)	(1)	(1)	
42	246.28-07-02	气管转接管	Tracheal Connector	(1)	(1)	(1)	(1)	(1)	(1)	
43	246.28-07-03	吹吸固定套	Fixed Sets Of Blowing Smoke	(1)	(1)	(1)	(1)	(1)	(1)	
44	246.28-07-04	吹吸器	Blowing And Suction Devise	(1)	(1)	(1)	(1)	(1)	(1)	
45	01-405000823-4	螺钉	Screw	(1)	(1)	(1)	(1)	(1)	(1)	
46	210.28-25	L型螺纹弯通	L Thread Bend Pass	1	1	1	1	1	1	
47	246.28-66	连接器支架1	Connector Bracket 1	1	1	1	1	1	1	
48	246.28-67	连接器支架2	Connector Bracket 2	1	1	1	1	1	1	
49	01-404002523-1	螺钉	Screw	2	2	2	2	2	2	
50	210.28-24	螺旋软管38*320mm	Spiral Hose	1	1	1	1	1	1	
51	246.28-06	气管连接器支撑板	Tracheal Connector Support Board	1	1	1	1	1	1	
52	246.28-65	吸风孔转接管	Suction Connetor	1	1	1	1	1	1	
53	18-405001422-3	三组合十字盘头螺钉	Screw	2	2	2	2	2	2	
54	210.28-08	吸尘桶上盖	Clearing Barrels Above Cover	1	1	1	1	1	1	
55	210.28-10G	吸尘袋	Vacuum Cleaner Bags	1	1	1	1	1	1	
56	CB05B-00/01	HX6800T/AKII电控箱	Electronic Control Box	1	1	1	1	1	1	
57	260.29-48	接线盒支架	Juction-box Bracket	1	1	1	1	1	1	
58	20-4421632-3	十字盘头自攻螺钉	Screw	2	2	2	2	2	2	
59	260.29-51	接线盒	Juction-box	1	1	1	1	1	1	
60	P-057-h15V02	接线盒PCB板	Joint Thread Box PCB board	1	1	1	1	1	1	
61	J-D-HX420316WA	插座双排16拼	Socket double row	1	1	1	1	1	1	
62	J-D-HX420302WA	插座双排2拼	Socket double row	2	2	2	2	2	2	
63	J-D-HX420306WA	插座双排6拼	Socket double row	1	1	1	1	1	1	
64	J-D-HX420304WA	插座双排4拼	Socket double row	1	1	1	1	1	1	
65	J-D-HX420322WA	插座双排22拼	Socket double row	1	1	1	1	1	1	
66	J-D-HX420308WA	插座双排8拼	Socket double row	1	1	1	1	1	1	
67	20-4290632-3	十字盘头自攻螺钉	Screw	4	4	4	4	4	4	
68	01-404001223-1	十字一字盘头螺钉	Screw	2	2	2	2	2	2	
69	L-N36	缝台安全开关连接线	Sewing bed seitch Connecting line	1	1	1	1	1	1	
70	L-N39	电眼(接收)连接线	Carrier Signal Connecting line	2	2	2	2	2	2	
71	L-N31	操作面板输出连接线	Control Panel Out line	1	1	1	1	1	1	
72	L-N38	电磁阀连接线	Solenoid Valve Connecting line	1	1	1	1	1	1	
73	L-N32	主控制连接线	Main Control Connecting Line	1	1	1	1	1	1	



29. SS6800TA-00UTC2/AK/PP系列专用件

序号	图号	名称		3 线	4 线	5 线	5 宽	5 厚	6 线	备注
		中文	英文							
1	260.29-50	拉轮气缸	Puller Cylinder	1	1	1	1	1	1	
2	03-6040002200-3	六角螺母	Nut	3	3	3	3	3	3	
3	260.29-27	拉轮支架压头	Puller Bracket Ram	1	1	1	1	1	1	
4	260.29-38	微调支架板	Support Board	1	1	1	1	1	1	
5	01-603000621-1	一字薄帽螺钉	Screw	2	2	2	2	2	2	
6	01-503001624-1	内六角圆柱头螺钉	Screw	2	2	2	2	2	2	
7	260.29-45	拉簧调整杆	Adjustment Lever	1	1	1	1	1	1	
8	260.29-39	拉簧	Spring	1	1	1	1	1	1	
9	260.29-44	调整推杆	Adjust the putter	1	1	1	1	1	1	
10	260.29-07	送布轴	Feed Rocker Shaft	1	1	1	1	1	1	
11	260.29-08	送布调整曲柄	Feed Cloth Adjusting Crank	1	1	1	1	1	1	
12	01-506751224-1	圆柱头内六角螺钉	Screw	1	1	1	1	1	1	
13	260.29-11A	调整螺钉	Screw	1	1	1	1	1	1	
14	05-051081203	平垫片	Gasket	2	2	2	2	2	2	
15	201.10-16	送布牙架连杆套	Connecting Rod Bushing	1	1	1	1	1	1	
16	260.29-12	拉轮连杆	Puller link	1	1	1	1	1	1	
17	03-605000400-1	六角螺母	Nut	1	1	1	1	1	1	
18	01-803000414-1	无帽内六角螺钉	Screw	2	2	2	2	2	2	
19	260.29-10	调整杆	Adjusting rod	1	1	1	1	1	1	
20	260.29-09	固定片	Stators	1	1	1	1	1	1	
21	01-103000621-1	沉头一字螺钉	Screw	2	2	2	2	2	2	
22	260.29-15	拉轮轴定位环	Puller Shaft positioning ring	2	2	2	2	2	2	
23	260.29-16	拖轮传动轴后套	Back Transmit Shaft Bushing	1	1	1	1	1	1	
24	01-804000414-1	无帽内六角螺钉	Screw	4	4	4	4	4	4	
25	260.29-13	单向轴承摇臂	One way bearing roker	1	1	1	1	1	1	
26	260.29-30	拉轮连杆销	Puller Linker Pin	1	1	1	1	1	1	
27	14-061014	单向轴承	Ooe way bearing	1	1	1	1	1	1	
28	260.29-17	拖轮传动轴前套	Front Transmit Shaft Bushing	1	1	1	1	1	1	
29	13-09240170	骨架油封	Oiling seal	1	1	1	1	1	1	
30	260.29-14G	拉轮轴	Puller shaft	1	1	1	1	1	1	
31	06-0700814-4	开口挡圈	E-ring	1	1	1	1	1	1	
32	14-HK0812	滚针轴承	Needle Bearing	2	2	2	2	2	2	
33	260.29-19C	拉轮支架	Puller Bracket	1	1	1	1	1	1	
34	260.29-40G	同步带	Synchronous Belt	1	1	1	1	1	1	
35	260.29-20G	主同步轮	Main Synchronous Round	1	1	1	1	1	1	
36	260.29-34	一字槽圆帽螺钉	Screw	1	1	1	1	1	1	
37	260.29-24G	前皮带盖	Front Belt Cover	1	1	1	1	1	1	
38	01-103000822-3	沉头十字螺钉	Screw	4	4	4	4	4	4	
39	14-618/5-2Z	轴承	Crankshaft Ball Bearing	3	3	3	3	3	3	
40	260.29-42G	张紧轮	Tensile wheel	1	1	1	1	1	1	
41	01-103000822-3	沉头十字螺钉	Screw	1	1	1	1	1	1	
42	260.29-41C	小从动轮	Small Driven Wheel	1	1	1	1	1	1	
43	260.29-33G	割线刀	Plain Knief	1	1	1	1	1	1	
44	260.29-36C	拉布轮(厚料)	Puller(Heavy duty)	1	1	1	1	1	1	
	260.29-37A	拉布轮(薄料)	Puller(Light duty)	1	1	1	1	1	1	
45	260.29-43G	后齿轮盖	Back Gear Cover	1	1	1	1	1	1	
46	201.03-16	防震塞	Rubber Cushion	1	1	1	1	1	1	
47	260.28-20	电磁阀组件	Solenoid Valve ASM	1	1	1	1	1	1	
48	CP05-08-0A0	面板PCB组件	PCB Board ASM	1	1	1	1	1	1	
49	260.29-19G-01	减震塞	Shock pad	1	1	1	1	1	1	
50	260.29-19-02	台阶螺钉	Screw	1	1	1	1	1	1	



30. SS6814TA-03KSC2/AK系列专用件

序号	图号	名称		4 线	备注
		中文	英文		
1	2200.32-02	气缸支架(松线)	Cylinder bracket (loosing line)	1	
2	2200.32-12	气缸组件(松线)	Cylinder components (loosing line)	1	
3	210.28-39-03	贴纸(3)	Paste(3)	1	
4	210.28-39-04	贴纸(4)	Paste(4)	1	
5	2200.32-03	松线板	Loose line panel	1	
6	03-604000702-3	M4球形螺帽	Nut	2	
7	2200.32-04	台螺钉	Stepped screw	1	
8	01-404001023-3	十字一字槽螺钉	Screw	2	
9	2200.27-04	垫片	Washer	1	
10	103.08-36-1-4A	油管(透明)	Pipe	1	
11	210.30-01	侧吸刀组件	Side suction knife components	1	
12	260.32-05-01	下侧板	Lower side panel	1	
13	2200.32-07	气管接头	Pipe connector	1	
14	2200.21-01-20	挡布板组件	Buffle plate components	1	
15	2200.32-10	直通(6变4)	Straight connector(6 chang 4)	2	
16	2200.32-09	三通快插接头(6)	Tee junction knife components	1	
17	226.21-01	压脚组件	Presser foot components	1	

此说明书仅作参考，如有更改恕不另做通知。

This manual is only for reference. IF there is any modification, we apologize for the changing hence caused.