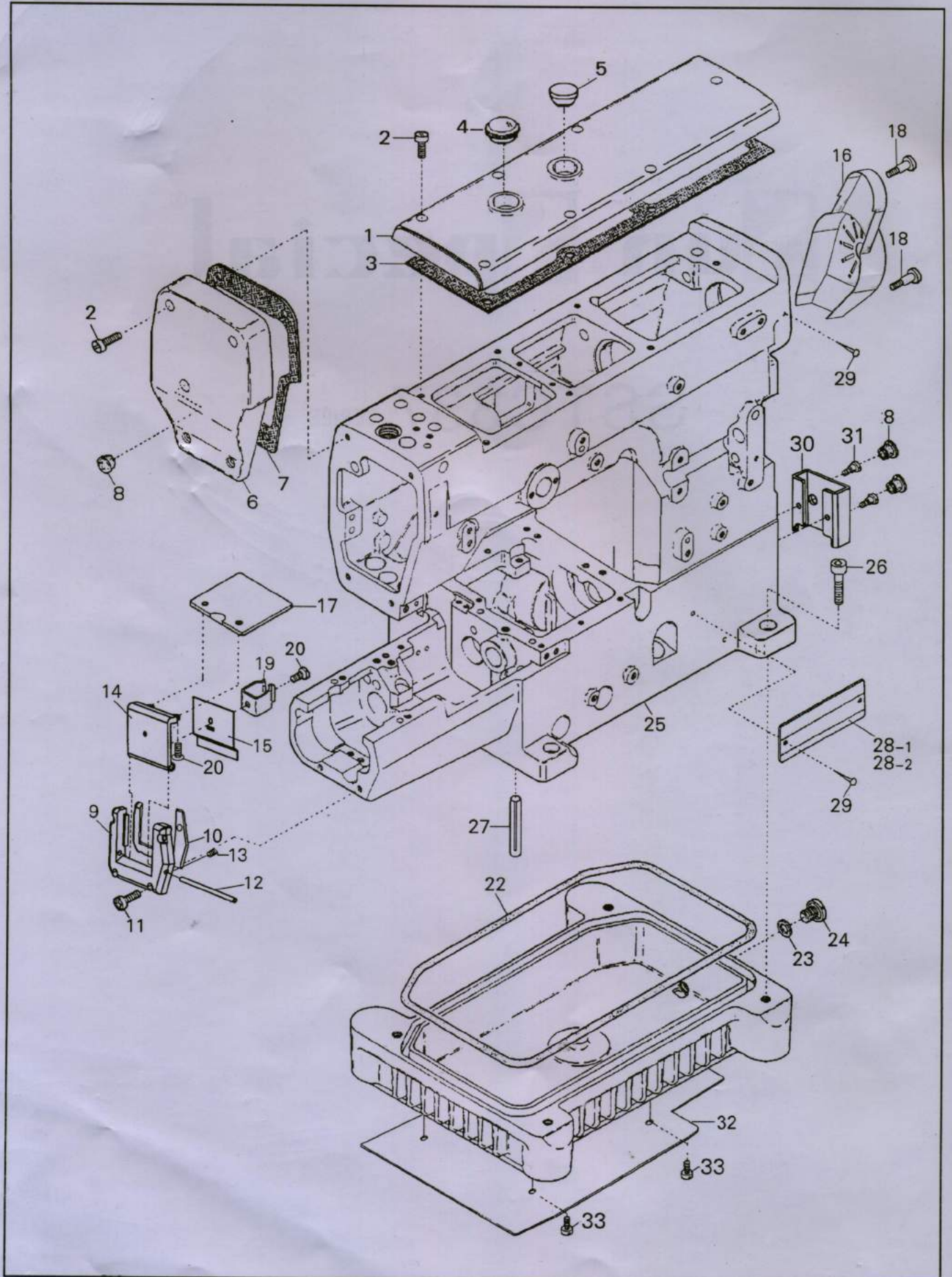


Sun Special[®]

SSTC337 SERIES

similar YAMATO VC2700m

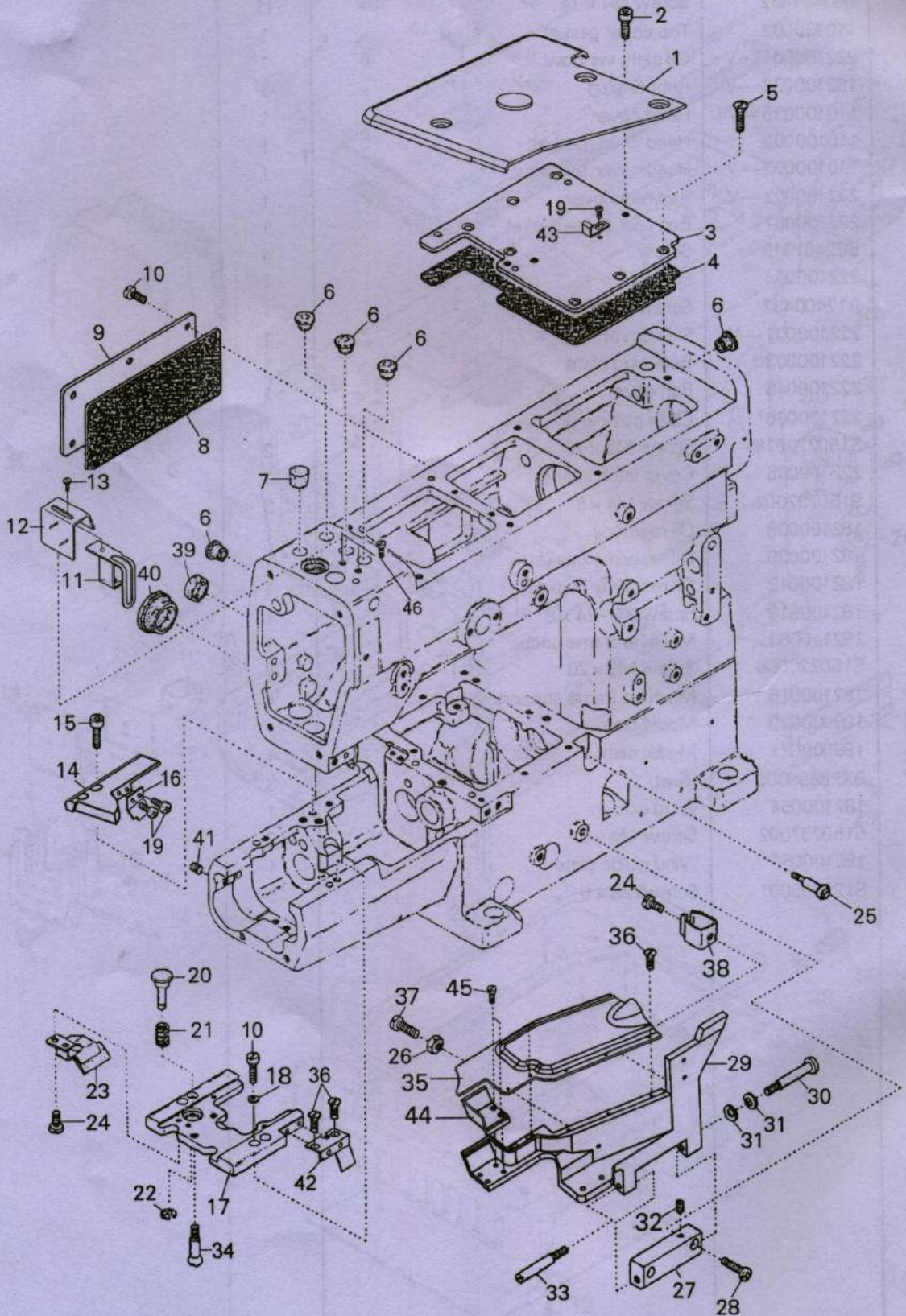
1. MISCELLANEOUS COVERS (1)



1. MISCELLANEOUS COVERS (1)

No	Ret. No.	Description	Qt	Note
1	110130001--W	Top cover	1	
2	B62401412	Screw M4 x 14	11	
3	110130002	Top cover gasket	1	
4	022180001--V	Oil sight window	1	
5	182100038--V	Rubber plug	1	
6	110100035--W	Head cover	1	
7	110100002	Head cover gasket	1	
8	110100003--V	Head cover seal plug	1	
9	222100002--W	Bed rear cover	1	
10	222100007	Bed rear cover gasket	1	
11	B62401012	Screw	4	
12	222100004	Pin	1	
13	B12400432	Screw M4 x 4	1	
14	222100001--W	Side cover	1	
15	222100003	Retaining plate	1	
16	222100046	Belt cover	1	
17	222100006	Cloth plate	1	
18	S150220015	Screw M5 x 12	2	
19	222100005	Cover latch spring	1	
20	S150237002	Screw M4 x 5	3	
21	182100008	Oil reservoir	1	
22	182100009	Oil reservoir gasket	1	
23	182100012	Oil reservoir gasket	1	
24	182100013	Screw 3/8-24 x 8	1	
25	1821a0000	Machine frame unite	1	
26	S150220006	Screw M8 x 20	4	
27	182100015	Machine frame supporting bar	4	
28-1	198000020	Model plate	1	
28-2	198000021	Model plate	1	
29	BXF8899009	Rivet	3	
30	182100054	Wind screen	1	
31	S150237002	Screw M4 x 5	2	
32	182100053	Wind guide plate	1	
33	S120205001	Screw M3 x 6	5	

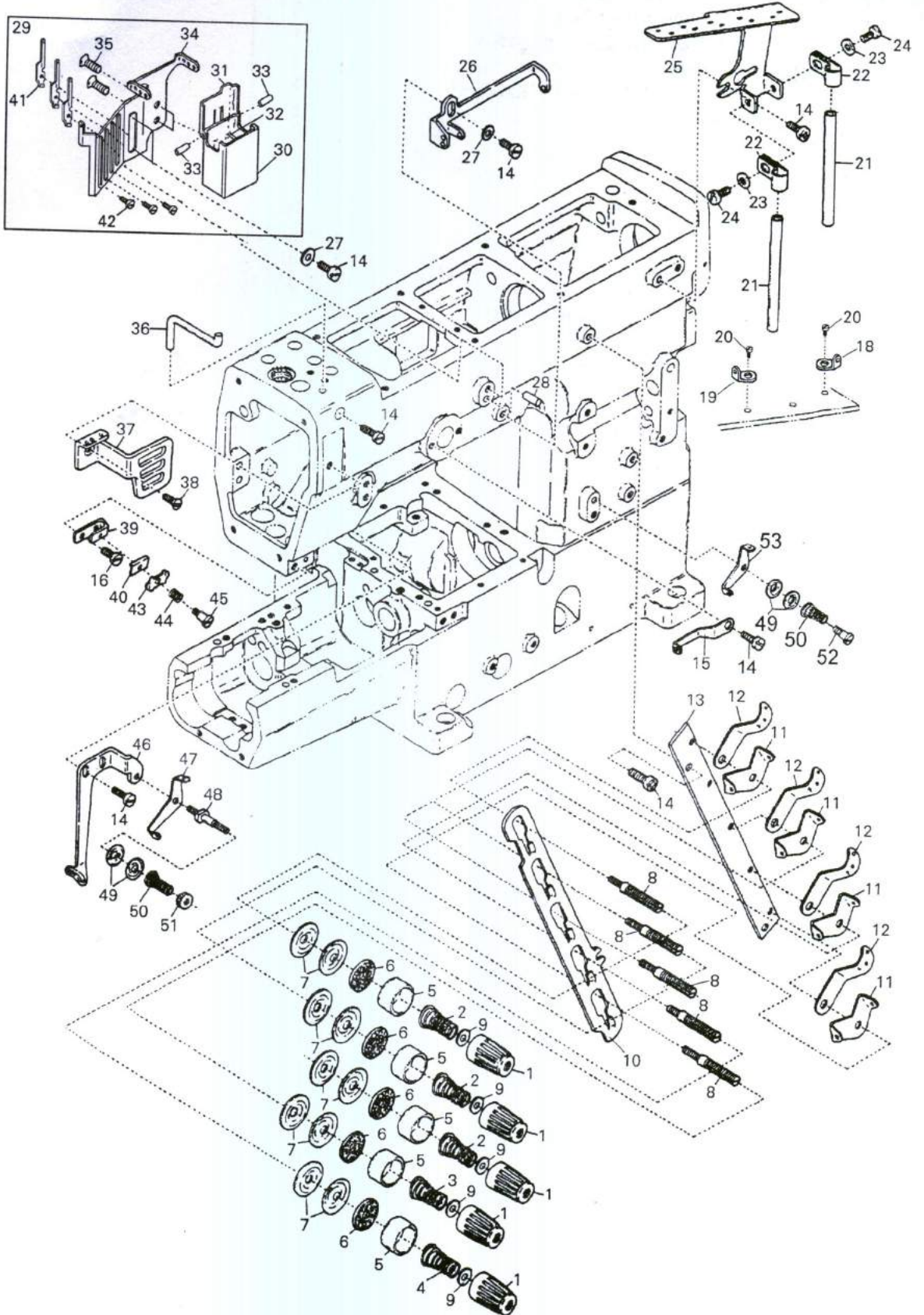
2. MISCELLANEOUS COVERS (2)



2. MISCELLANEOUS COVERS (2)

No	Ret. No.	Description	Qt	Note
1	222160000--W	Cloth plate assy	1	
2	S150220002	Screw M4-0.7×12	3	
3	182100021	Crank chamber cover gasket	1	
4	182100022	Gasket	1	
5	S150238001	Screw M4-0.7×8 (GB819-85)	7	
6	110100003--V	Seal plug	5	
7	110100026--V	Seal plug	1	
8	110100017	Gasket	1	
9	110100016--W	Rear cover	1	
10	B62400812	Screw M4-0.7×8	10	
11	197120001	Needle bar protection cover	1	
12	197120002	Needle bar protection board	1	
13	197120003	Screw	1	
14	222100019--W	Supplementary slide cover	1	
15	S150220041	Screw	2	
16	182100049	Retaining plate	1	
17	182100030	Stitch plate support	1	
18	182100045	Pin	2	
19	S150237008	Screw M3×4	4	
20	182100031	Feed regulating pushbutton	2	
21	182100032	Spring	1	
22	S4B1202008	Cover latch spring	1	
23	182100034	Retaining plate	1	
24	S150237002	Screw M4×5	3	
25	222100038	Screw M4×8	1	
26	S120501003	Nut M4×0.7	1	
27	222100037--W	Front cover hinge	1	
28	S150237022	Screw M4×25	1	
29	222100045	Front cover	2	
30	110150003	Screw	1	
31	S150643001	Washer	2	
32	S150224001	Screw M3×3	2	
33	110150004	Screw	1	
34	182100035	Screw	1	
35	222100020	Front cover(upper)	1	
36	S120205001	Screw M3×6	6	
37	B62401012	Screw M4-0.7×10	1	
38	182140005	Spring	1	
39	182100037--V	Seal plug	3	
40	182100038--V	Seal plug	1	
41	B12060632	Screw M6×6	2	
42	222191000	Stitch plate support cover	1	
43	222100057	Retaining part	1	
44	222100041	dust cap	1	
45	S150237002	Screw M4×5	2	
46	B62400812	Screw M4×8	2	

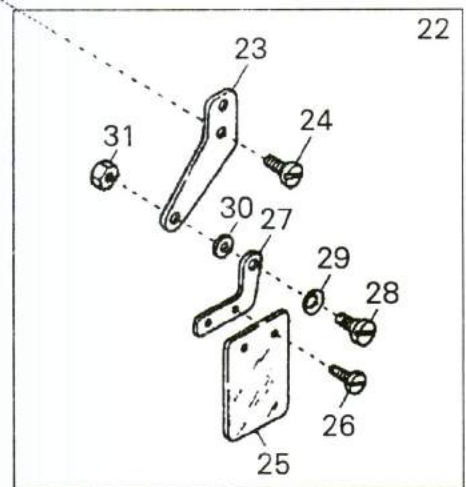
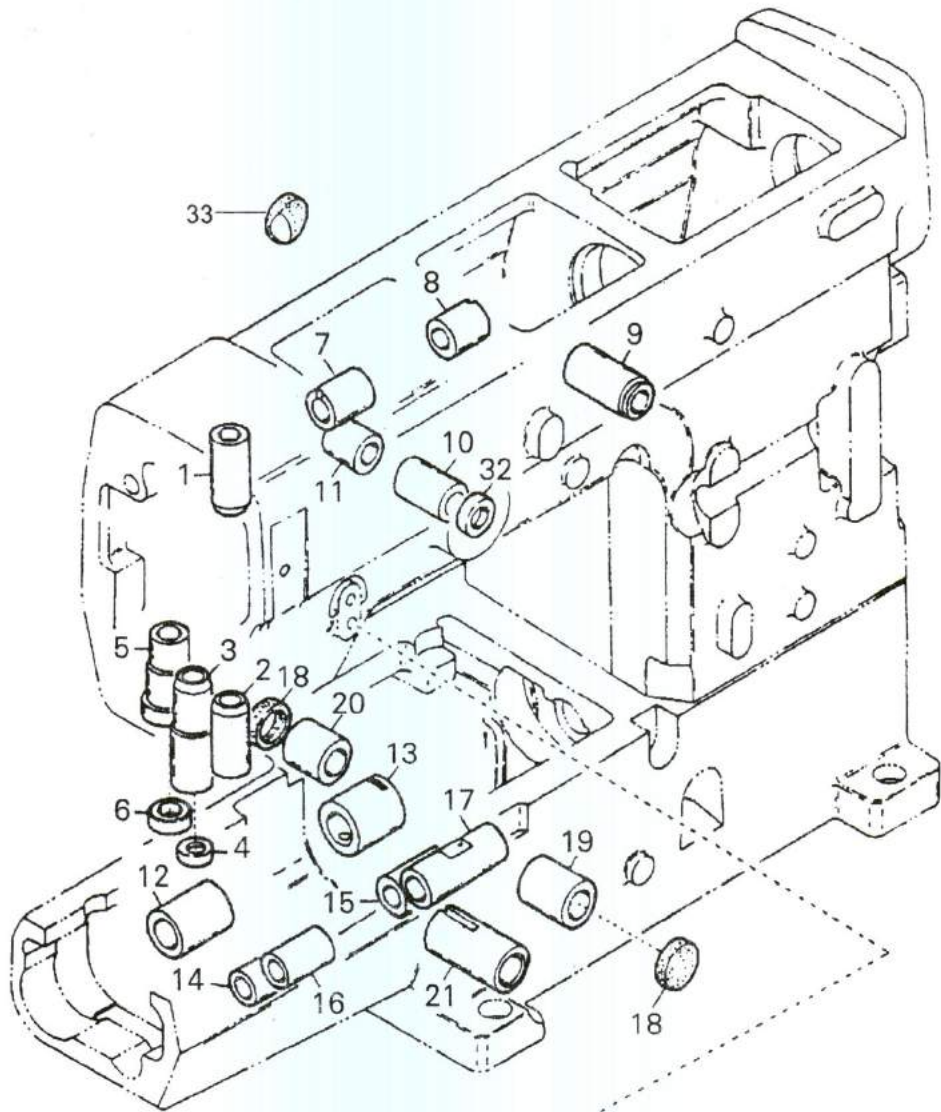
3. MISCELLANEOUS THREAD EYELETS



3. MISCELLANEOUS THREAD EYELETS

No	Ret. No.	Description	Qt	Note
1	155A10009	Thread tension spring cap	5	
2	155A10005	Needle thread tension spring	3	
3	155A10004	Top cover thread spring	1	
4	155A10004	Top cover thread spring	1	
5	1102h0003	Thread tension spring retainer	5	
6	028283007	Felt	5	
7	022160005	Tension disc	10	
8	1102h0003	Tension post	5	
9	155A10007	Collar	5	
10	1102h0002	Tension disc separator	1	
11	116200016	Tension disc eyelet	5	
12	116200015	Thread lead-in guide	5	
13	1102h0001	Tension post support	1	
14	B62400812	Screw M4-0.7 x 8	11	
15	110200019	Top cover thread eyelet (left)	1	
16	S150237002	Screw M4 x 5	1	
17	110500020	looper thread eyelet(long)	1	
18	222100050	looper thread eyelet(right)	1	
19	222100051	looper thread eyelet(left)	1	
20	S150237008	Screw M3 x 4	2	
21	116250003	Thread eyelet pipe	2	
22	116250002	Thread eyelet pipe stay	2	
23	SFB0601008	Washer (BQ10008)	2	
24	B62400812	Screw M4X8	2	
25	116250001	Thread guide plate	1	
26	110200027	Top cover thread eyelet(right)	1	
27	008230003	Washer	2	
28	110100027	Pin	1	
29	1102K0000	SP Device complete set	1	
30	1102K0001	SP Container	1	
31	1102K0003	SP container cover	1	
32	1102K0004	Felt	1	
33	S8A3104002	Pin 2X6	2	
34	221100015	Needle thread eyelet	1	
35	S150241001	Screw	2	
36	110200035	Needle thread guide	1	
37	110200009	Needle thread eyelet	1	
38	S150218005	Screw M4X6	1	
39	110260004	Needle thread retainer support	1	
40	110260003	Thread retainer disc support	1	
41	221100014	Looper thread disc	3	
42	B60300612	Screw M3x4	3	
43	110260001	Needle thread retainer disc	1	
44	110260005	Spring	1	
45	110260002	Screw M3	1	
46	182230001	Top cover thread guide	1	
47	110200002	Supplementary thread guide	1	
48	116200018	Screw	1	
49	008200068	Supplementary tension disc	4	
50	008200067	Supplementary tension spring	2	
51	SFB0502001	Nut	1	
52	221290002	Screw	1	
53	221290001	Looper thread eyelet	1	

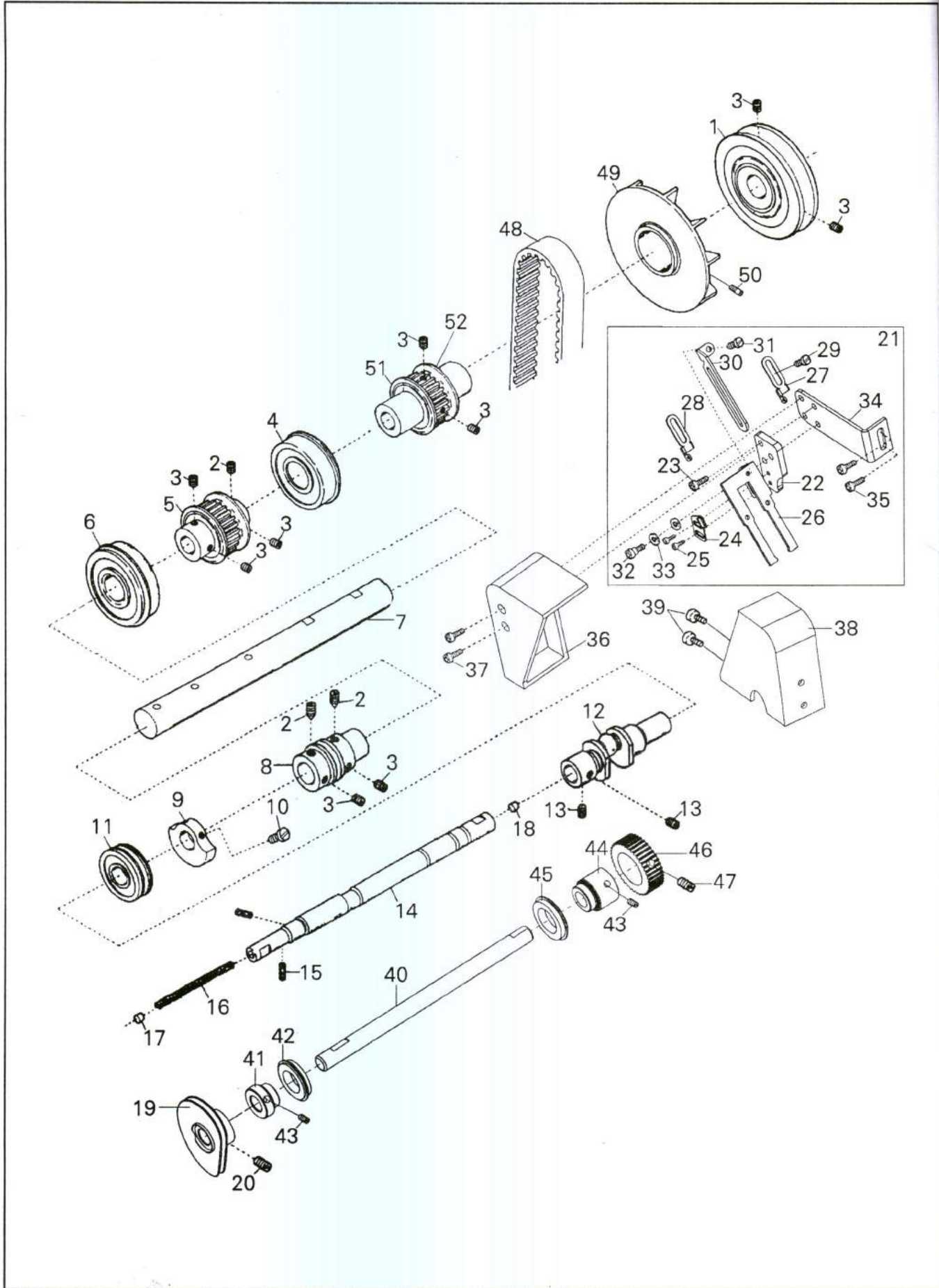
4. MISCELLANEOUS BUSHINGS



4. MISCELLANEOUS BUSHINGS

No	Ret. No.	Description	Qt	Note
1	110200002	Needle bar bushing(upper)	1	
2	222100052	Needle bar bushing(lower)	1	
3	110600007	Presser bar bushing	1	
4	110600005	Oil seal	1	
5	110200018	Bush	1	
6	008600015	Oil seal	1	
7	110200016	Bush (left)	1	
8	110200017	Bush (right)	1	
9	110600009	Foot lifter lever bushing	1	
10	110200008	Bush (front)	1	
11	110200007	Bush (back)	1	
12	182300013	Bush (right) Bush (left)	1	
13	182300014	Bush (right)	1	
14	182300015	Bush (right)	1	
15	182300016	Bush (right)	1	
16	182300017	Bush (right)	1	
17	182300018	Bush (right)	1	
18	182100037--V	Seal plug	2	
19	182300019	Bush (front)	1	
20	182300020	Bush (back)	1	
21	182300021	Adjusting screw bushing	1	
22	110140000	Eye guard support	1	
23	110140001	Eye guard holder	1	
24	S150215002	Screw M6-1X10	1	
25	116120001	Eye guard	1	
26	S120203013	Screw M3-0.5X4	2	
27	110140002	Eye guard support	1	
28	110100019	Screw 11/64-40X9.7	1	
29	S150643002	Washer	1	
30	008230003	Washer	1	
31	S120501003	Nut M4	1	
32	110280000	Oil seal	1	
33	110200029	Seal plug	1	

5. MAIN SHAFT DRIVING MECHANISM



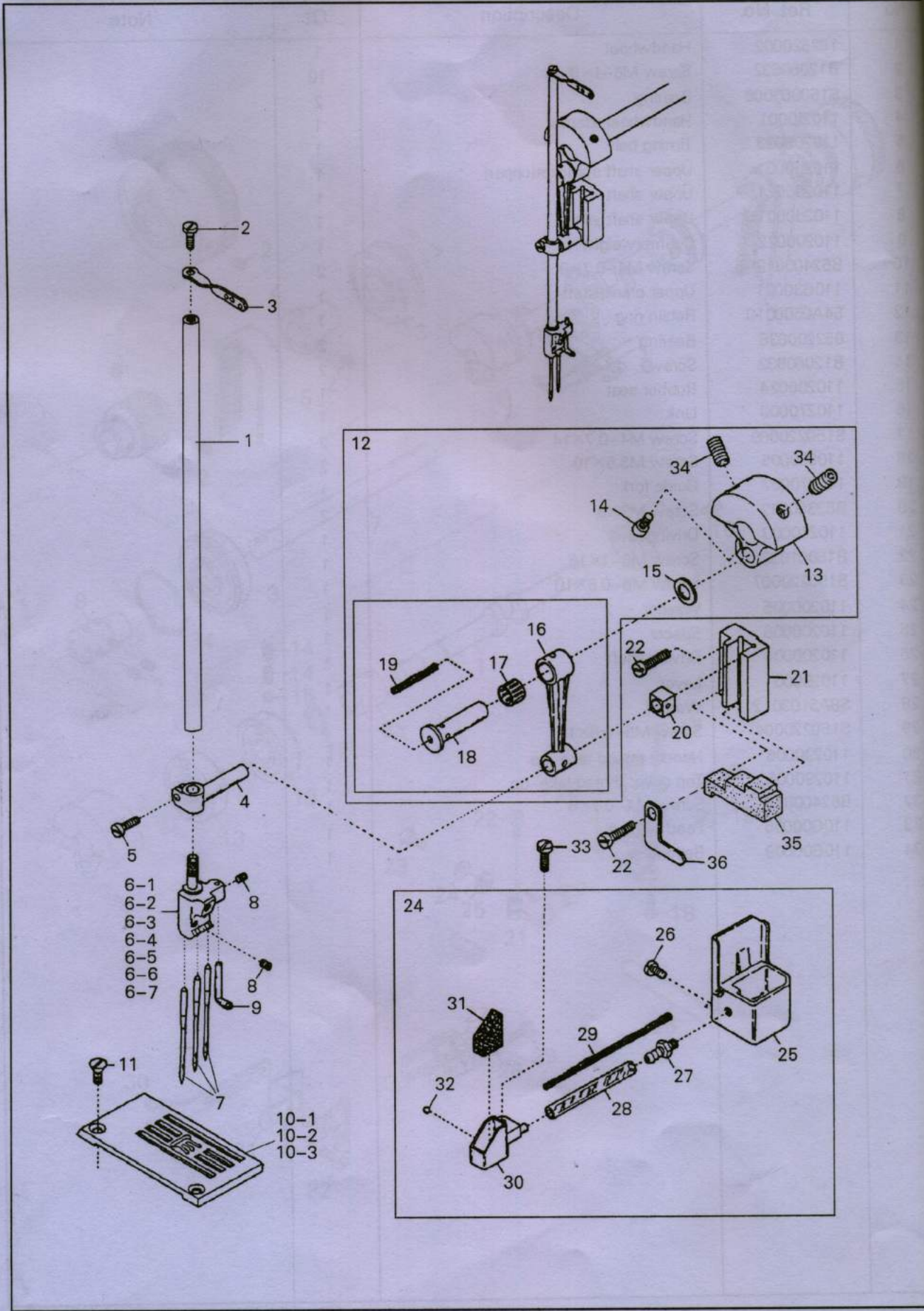
5. MAIN SHAFT DRIVING MECHANISM

No	Ret. No.	Description	Qt	Note
1	221100039	Pulley	1	
2	S150225001	Screw M6-1 x 8	3	
3	B12060632	Screw M6-1 x 6	12	
4	S150866007	Bearing (right)	1	
5	110520000	Main shaft sprocket	1	
6	S150866006	Bearing (middle)	1	
7	222100026	Lower shaft	1	
8	182400004	Oil pump driving worm	1	
9	110200022	Counter weight	1	
10	B62400812	Screw M4-0.7 x 8	2	
11	S150866013	Bearing (left)	1	
12	182400006	Lower crank shaft	1	
13	B12060632	Screw M6 x 6	2	
14	182440001	Lower shaft(left)	1	
15	182400010	Wick	2	
16	182400011	Wick	1	
17	182440002	Seal plug	1	
18	182440003	Seal plug	1	
19	222120000	Looper thread take-up	1	
20	B12500532	Screw	2	
21	222130000	Looper thread supporting	1	
22	222130005	Hold down	1	
23	B62400812	Screw M4X8	2	
24	222130002	Snap fastener	1	
25	S150237008	Screw M3X4 ZH	2	
26	222130003	Supporting plate	1	
27	221250002	Thread guide plate (lift)	1	
28	221250001	Thread guide plate (right)	1	
29	S150237008	Screw M3X4 ZH	2	
30	222100049	Thread guide plate	1	
31	S150237008	Screw M3X4 ZH	1	
32	221250005	Screw	1	
33	S150643001	Washer 5	2	
34	222130004	Linked plank	1	
35	S150237002	Screw M4X5	2	
36	222100044	Cover (back)	1	
37	S150220020	Screw M4X6	2	
38	222100043	Cover(front)	1	
39	S150218005	Screw M4X6	2	
40	222180010	Guide shaft	1	
41	222140002	Ball bearing holder(left)	1	
42	S150866059	Bearing 61802-2ZNR	1	
43	B12400432	Screw M4X4	4	
44	222180002	Ball bearing holder(right)	1	
45	S150866060	Bearing 61803-2ZNR	1	
46	222100042	Timing belt pulley (front)	1	
47	S150224008	Screw M5X5	2	
48	222180016	Timing belt	1	
49	110500001	Wind turbine cooling	1	
50	S150237008	Screw M3X4	1	
51	221240001	Timing belt pulley assy	1	
52	221240002	Retaining ring	1	

6. UPPER SHAFT & NEEDLE THREAD TAKE-UP MECHANISM

No	Ret. No.	Description	Qt	Note
1	182520002	Handwheel	1	
2	B12060632	Screw M6-1×6	10	
3	S150866006	Bearing	2	
4	1102f0001	Handwheel adapter	1	
5	110200023	Timing belt	1	
6	1102g0001	Upper shaft sprocket(upper)	1	
7	110200021	Upper shaft	1	
8	1102d0001	Upper shaft joint	1	
9	110200022	Counterweight	1	
10	B62400812	Screw M4-0.7×8	2	
11	110G30001	Upper crank shaft	1	
12	S4A0500010	Retain ring	1	
13	052200036	Bearing	2	
14	B12060632	Screw	2	
15	110200024	Rubber seat	1	
16	110270000	Link	1	
17	S150220009	Screw M4-0.7×14	2	
18	110550005	Screw M3.5×10	2	
19	110270002	Guide fork	1	
20	B62300812	Screw M3×8	2	
21	110270003	Driving lever	1	
22	B18061632	Screw M6-1×16	1	
23	S150220007	Screw M6-0.8×10	1	
24	110200005	Washer	1	
25	110200006	Spacer	1	
26	110200004	Driving shaft	1	
27	110290001	Lever	1	
28	S8A3103012	Washer	1	
29	S150220004	Screw M5-0.8×14	1	
30	110290005	Needle thread take-up	1	
31	110290005	Top cover thread take-up	1	
32	B62400812	Screw M4-0.7×8	1	
33	110G00006	Feed oil bush	1	
34	110G00009	Bearing ring	1	

7. NEEDLE BAR MECHANISM

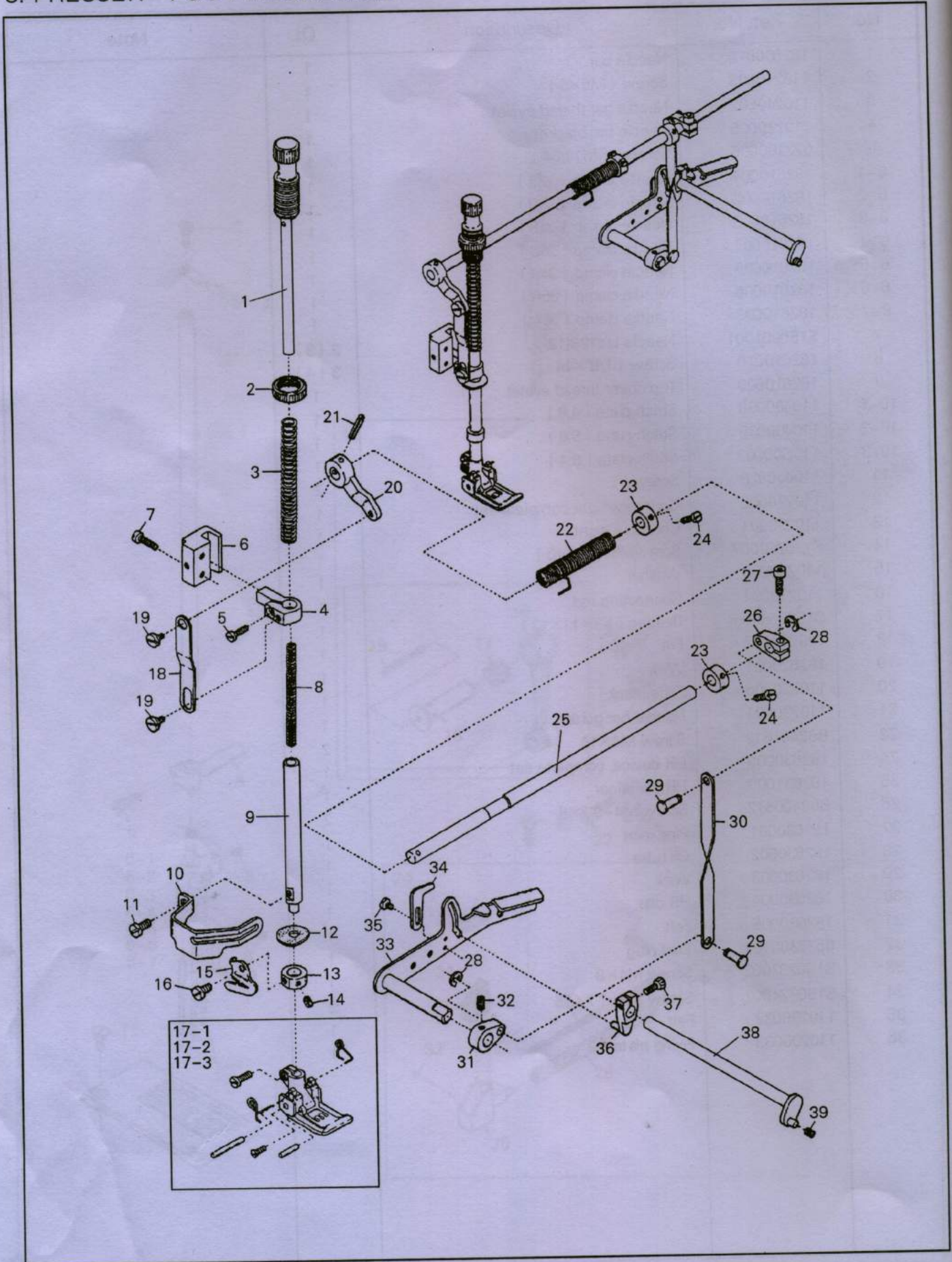


7. NEEDLE BAR MECHANISM

8 PRESSER FOOT MECHANISM

No	Ret. No.	Description	Qt	Note
1	182600019	Needle bar	1	
2	116240003	Screw (M5×5)	1	
3	116240002	Needle bar thread eyelet	1	
4	110220005	Needle bar bracket	1	
5	022100006	Screw (SM11/64)	1	
6-1	182610001	Needle clamp (232)	1	
6-2	182610002	Needle clamp (240)	1	
6-3	182610003	Needle clamp (248)	1	
6-4	182610004	Needle clamp (256)	1	
6-5	182610005	Needle clamp (348)	1	
6-6	182610006	Needle clamp (356)	1	
6-7	182610007	Needle clamp (364)	1	
7	S150901001	Needle UY128(12)	2 (3)	
8	182610010	Screw (1/8"×44)	3 (4)	
9	182610009	Top cover thread eyelet	1	
10-1	110400038	Stitch plate (4.8)	1	
10-2	110400039	Stitch plate (5.6)	1	
10-3	110G00003	Stitch plate (6.4)	1	
11	110400023	Screw	2	
12	110220000	Counterweight complete set	1	
13	110220001	Counterweight	1	
14	S150220007	Screw M5-0.8×10)	1	
15	110220003	Washer	1	
16	110220004	Connecting rod	1	
17	S150866005	Bearing (K8×11×13)	1	
18	110220002	Pin	1	
19	182620001	Wick	1	
20	110220006	Slide block	1	
21	110230001	Needle bar guide	1	
22	B62401612	Screw M4×16	2	
24	182630000	HR device, complete set	1	
25	182631000	HR container	1	
26	B62400812	Screw M4-0.7×8	2	
27	182630001	Pipe joint	1	
28	182630002	Oil tube	1	
29	182630003	Wick	1	
30	182630004	HR cup	1	
31	182630005	Felt	1	
32	0527300101	Seal plug	1	
33	S150237002	Screw M4×8	1	
34	S150224002	Screw M8-1.2×16	2	
35	110200032	Felt	1	
36	110200033	Fixing plate	1	

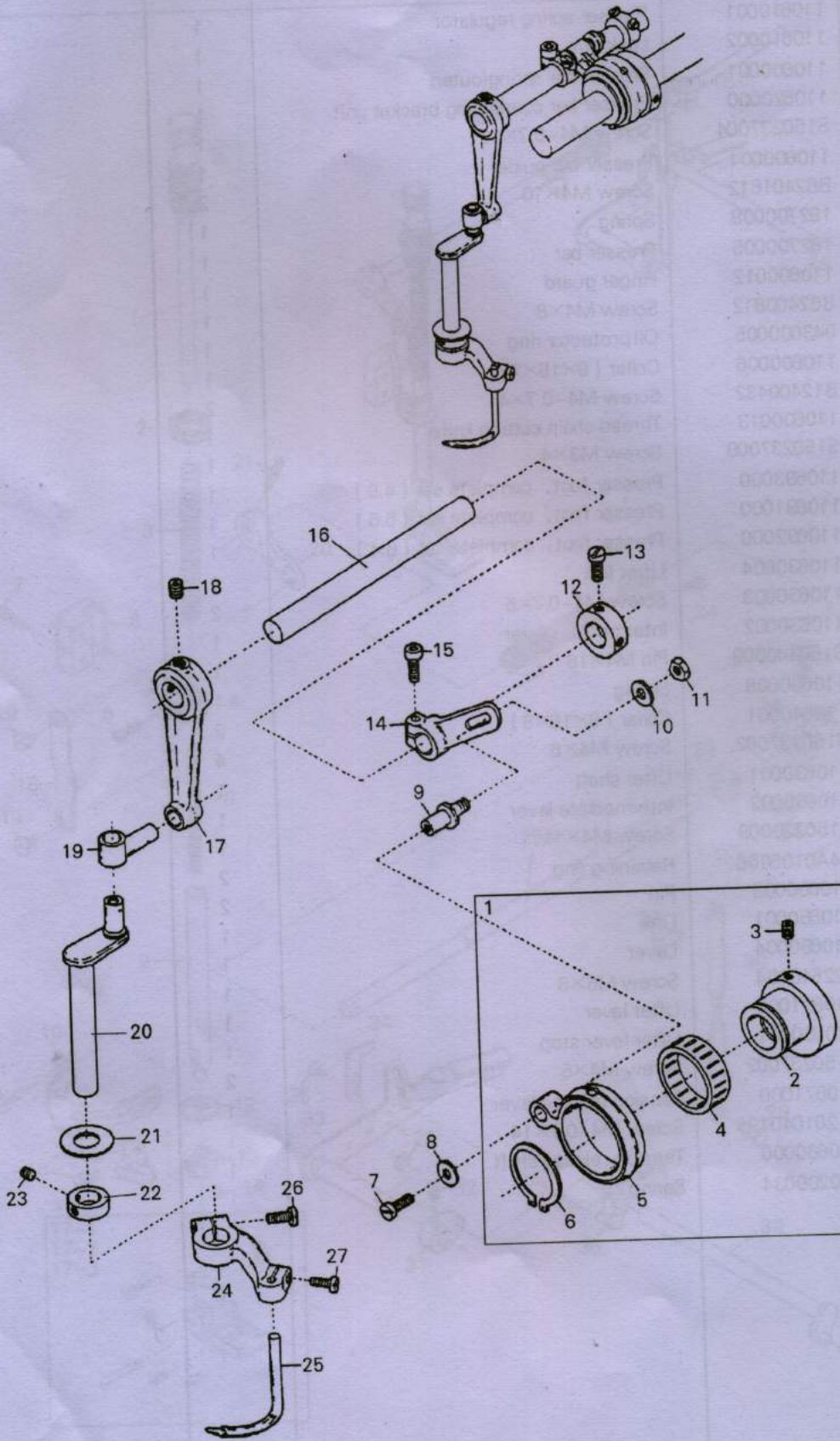
8. PRESSER FOOT MECHANISM



8. PRESSER FOOT MECHANISM

No	Ret. No.	Description	Qt	Note
1	110610001	Presser spring regulator	1	
2	110610002	Lock nut	1	
3	110600001	Presser bar spring(outer)	1	
4	110620000	Presser bar connecting bracket unit	1	
5	S150237004	Screw M4-0.7×12	1	
6	110600004	Presser bar guide	1	
7	B62401612	Screw M4×16	2	
8	182700009	Spring	1	
9	182700005	Presser bar	1	
10	110600012	Finger guard	1	
11	B62400812	Screw M4×8	1	
12	043600005	Oil protector ring	1	
13	110600006	Collar (9×15×7)	1	
14	B12400432	Screw M4-0.7×4	2	
15	110600013	Thread chain cutting knife	1	
16	S150237008	Screw M3×4	1	
17-1	110693000	Presser foot, complete set (4.8)	1	
17-2	110691000	Presser foot, complete set (5.6)	1	
17-3	110692000	Presser foot, complete set (6.4)	1	
18	110630004	Lifter link	1	
19	110630003	Screw M4-0.7×5	2	
20	110630002	Intermediate lever	1	
21	S150446009	Pin M4×16	1	
22	110600008	Spring	1	
23	110640001	Collar (8×16×8)	2	
24	S150237002	Screw M4×6	4	
25	110630001	Lifter shaft	1	
26	110650002	Intermediate lever	1	
27	S150220009	Screw M4×14	1	
28	S4A0105006	Retaining ring	2	
29	110650003	Pin	2	
30	110650001	Link	1	
31	110650004	Lever	1	
32	022540004	Screw M6×8	1	
33	110681000	Lifter lever	1	
34	110680001	Lifter lever stop	1	
35	S150237002	Screw M4×5	2	
36	110671000	Tension release lever	1	
37	S120104019	Screw M4-0.7×14	1	
38	110660000	Tension release shaft	1	
39	110200034	Spring	1	

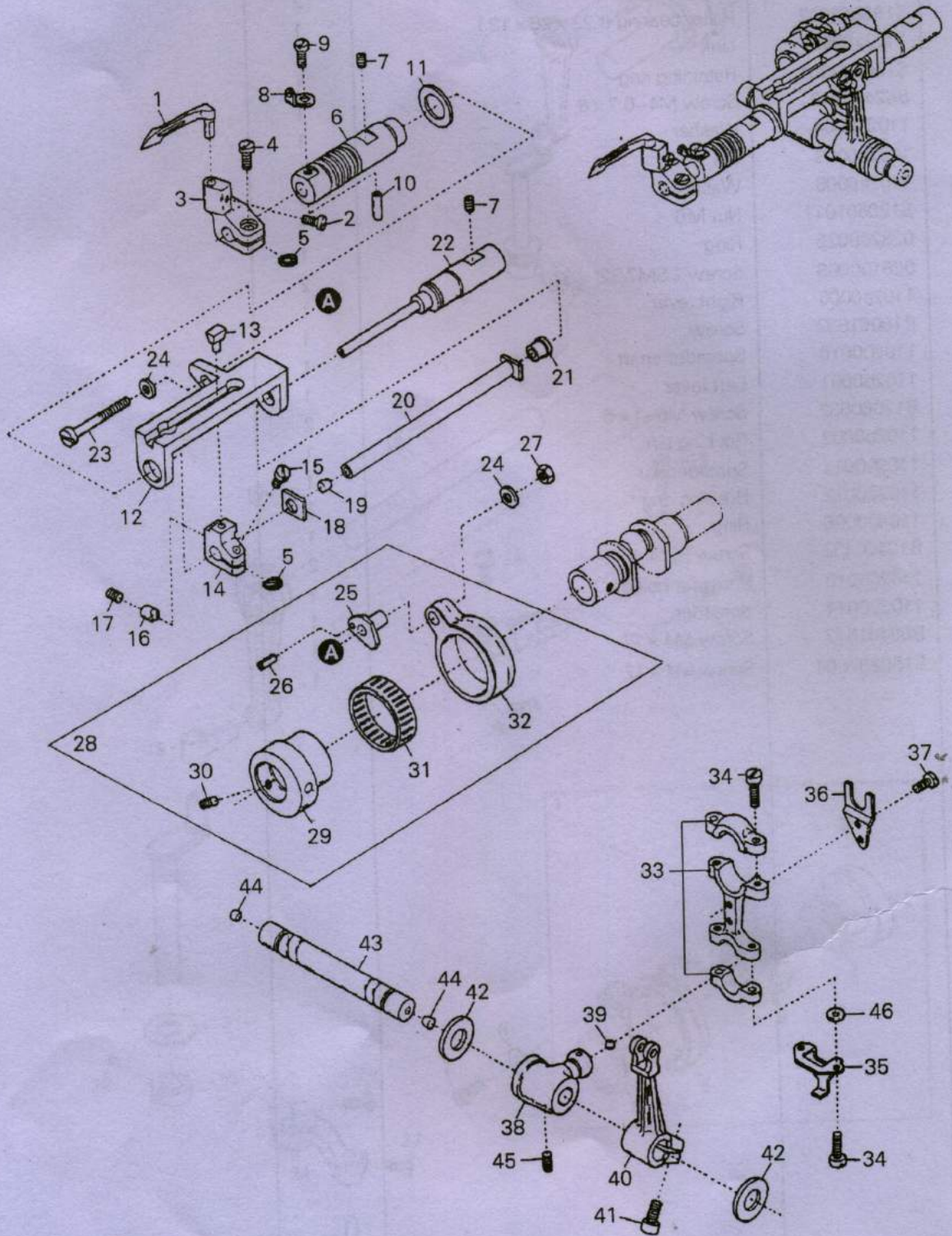
9. SPREADER MECHANISM



9. SPREADER MECHANISM

No	Ret. No.	Description	Qt	Note
1	1102a0000	Connecting rod complete set	1	
2	1102a0001	Cam	1	
3	B12500532	Screw M5 x 5	2	
4	S150866002	Roller bearing (K22 x 26 x 13)	1	
5	1102a0002	Link	1	
6	S150649001	Retaining ring	1	
7	B62400812	Screw M4-0.7 x 8	1	
8	1102a0004	Washer	1	
9	1102a0003	Pin	1	
10	1102a0006	Washer	1	
11	S120501011	Nut M6	1	
12	028200026	Ring	1	
13	028100068	Screw (SM7/32" x 32)	2	
14	1102a0005	Right lever	1	
15	B18061632	Screw	1	
16	110200010	Spreader shaft	1	
17	1102b0001	Left lever	1	
18	B12060632	Screw M6-1 x 6	2	
19	1102b0002	Rocking pin	1	
20	110200011	Spreader bar	1	
21	110200012	Bushing ring	1	
22	110400006	Ring	1	
23	B12400432	Screw M4 x 4	2	
24	110200013	Spreader holder	1	
25	110200014	Spreader	1	
26	B62401612	Screw M4 x 16	1	
27	S150237004	Screw M4 x 12	1	

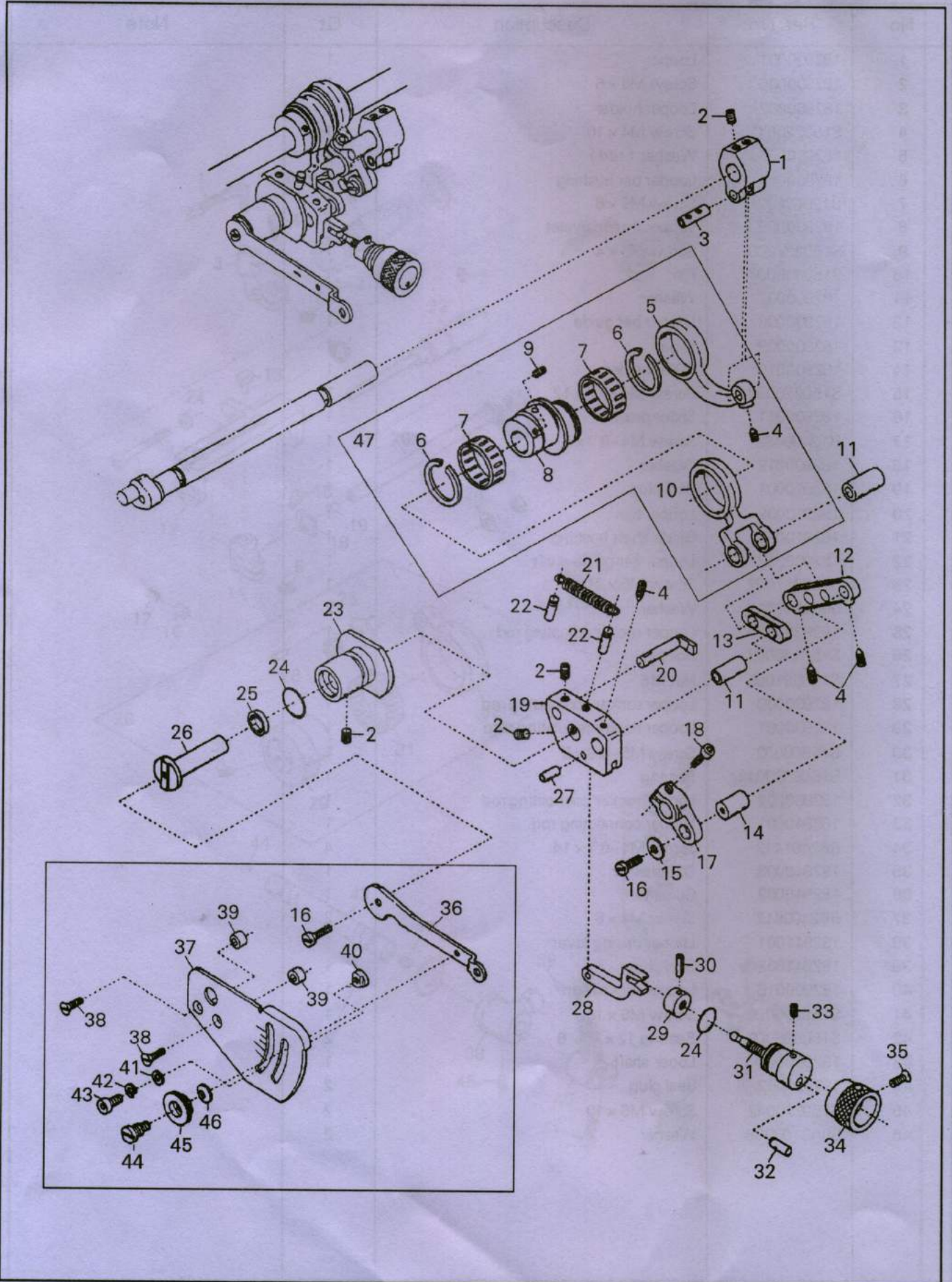
10. LOOPER DRIVING MECHANISM



10. LOOPER DRIVING MECHANISM

No	Ret. No.	Description	Qt	Note
1	182900001	Looper	1	
2	182900006	Screw M3 x 6	1	
3	182900002	Looper holder	1	
4	S150220041	Screw M4 x 10	1	
5	182900003	Washer (red)	2	
6	182900004	Looper bar bushing	1	
7	B12060632	Screw M6 x 6	2	
8	182900005	Looper thread eyelet	1	
9	S150237008	Screw M3 x 4	1	
10	S150446004	Pin	1	
11	182900007	Washer	1	
12	182900008	Looper bar guide	1	
13	182900009	Slider	1	
14	182900010	Slider holder	1	
15	S150220002	Screw M4-0.7 x 12	1	
16	182900011	Slider presser	1	
17	B12400432	Screw M4-0.7 x 4	1	
18	182900012	Washer	1	
19	182910001	Seal plug	1	
20	182910002	Looper bar	1	
21	182910003	Guide shaft bushing	1	
22	182900013	Looper bar guide shaft	1	
23	S150237002	Screw M5 x 3	1	
24	0084A0001	Washer	2	
25	182920001	Looper rocker adjusting rod	1	
26	S150446003	Roll pin	1	
27	S120501005	Nut M5	1	
28	182930000	Looper rocker connecting rod	1	
29	182930001	Looper rocker regulating disc	1	
30	B12500532	Screw M5-0.8 x 5	1	
31	S150866004	Bearing	1	
32	182930002	Looper rocker connecting rod	1	
33	182940001	Looper connecting rod	1	
34	B62401412	Screw M4-0.7 x 14	4	
35	182940003	Oil splasher	1	
36	182940002	Guide fork	1	
37	B62400812	Screw M4 x 8	2	
38	182941001	Looper driving lever	1	
39	182941002	Seal plug	1	
40	182900016	Looper rocker arm	1	
41	S150220005	Screw M6 x 16	1	
42	S150866008	Bearing 12 x 26 x 8	2	
43	182950001	Looper shaft	1	
44	182950002	Seal plug	2	
45	S150220042	Screw M6 x 10	2	
46	S8A3103008	Washer	2	

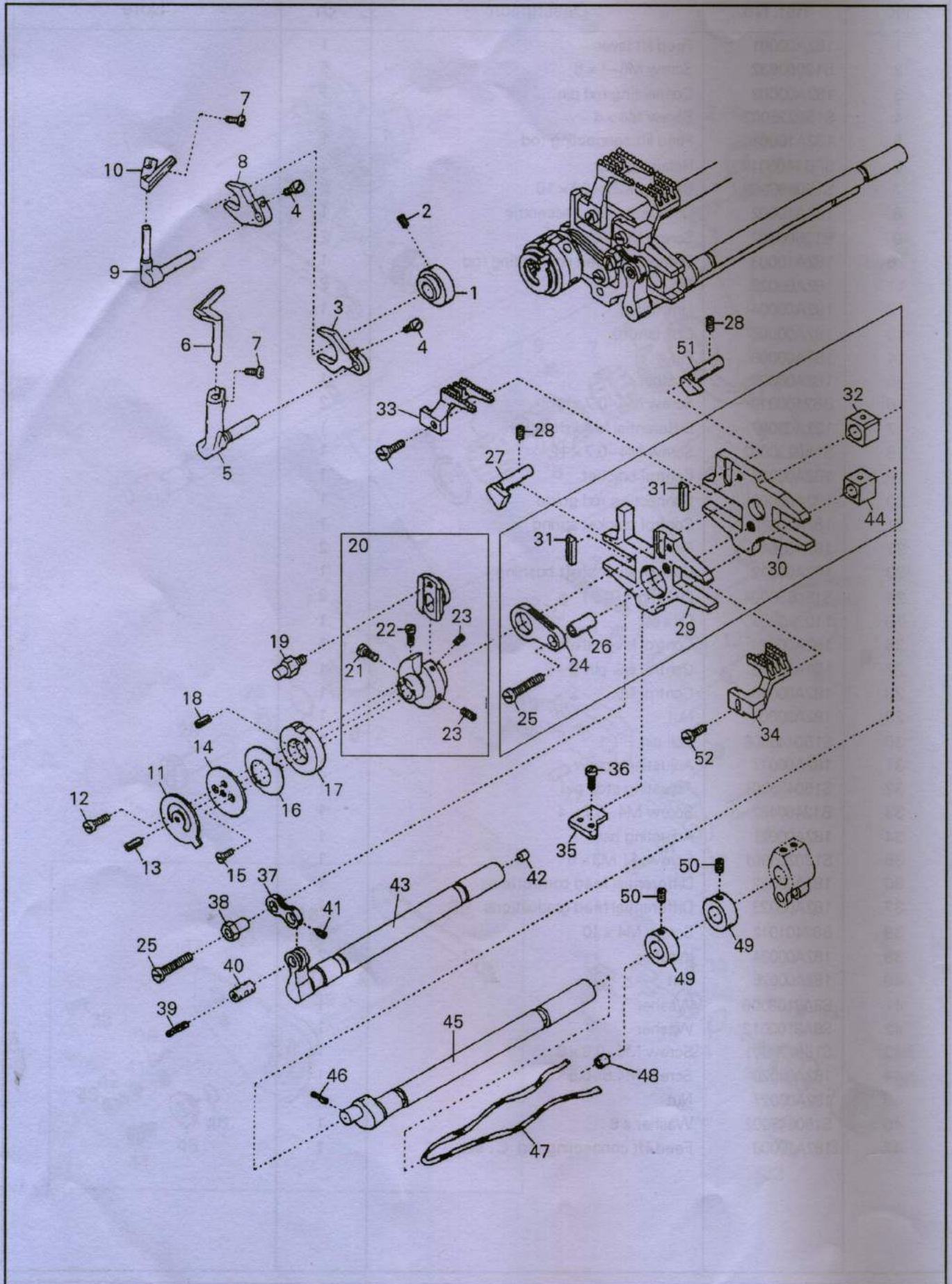
11. FEED DRIVING MECHANISM



11. FEED DRIVING MECHANISM

No	Ret. No.	Description	Qt	Note
1	182A00001	Feed lift lever	1	
2	B12060632	Screw M6-1×6	5	
3	182A00002	Connecting rod pin	1	
4	S150225002	Screw M4×4	4	
5	182A10001	Feed lift connecting rod	1	
6	SFB1403014	Retaining ring	2	
7	S150866003	Bearing K25×29×10	2	
8	182A10002	Differential feed eccentric	1	
9	B12500532	Screw M5-0.8×5	2	
10	182A10003	Differential feed connecting rod	1	
11	182A00028	Pin	2	
12	182A00004	Link (long)	1	
13	182A00005	Link (short)	1	
14	182A00006	Pin	1	
15	182A00029	Washer	1	
16	B62400812	Screw M4-0.7×8	2	
17	182A00007	Differential feed shaft lever	1	
18	S150220002	Screw M4-0.7×12	1	
19	182A00008	Control bracket	1	
20	182A00009	Connecting rod guide	1	
21	182A00010	Control bracket spring	1	
22	182A00011	Pin	2	
23	182A00012	Control lever shaft bushing	1	
24	S150656004	O - ring (P16)	2	
25	110280000	Oil seal	1	
26	182A00014	Control lever shaft	1	
27	182A00015	Control link pin	1	
28	182A00016	Control link	1	
29	182A20001	Nut	1	
30	S150446006	Roll pin	1	
31	182A00017	Adjusting screw	1	
32	S150435001	Adjusting stop pin	1	
33	B12400432	Screw M4-0.7×4	1	
34	182A00021	Adjusting bar	1	
35	S120205001	Screw 螺钉 M3×6	1	
36	182A00022	Differential feed control lever	1	
37	182A00023	Differential feed graduations	1	
38	B62401012	Screw M4×10	2	
39	182A00024	Washer	2	
40	182A00025	Nut	1	
41	S8A3103006	Washer	1	
42	S8A3103012	Washer	1	
43	S150220001	Screw M5-0.8×8	1	
44	182A00026	Screw M4.5-0.5×3	1	
45	182A00027	Nut	1	
46	S150643002	Washer φ6	1	
47	182A10000	Feed lift connecting rod, C . set	1	

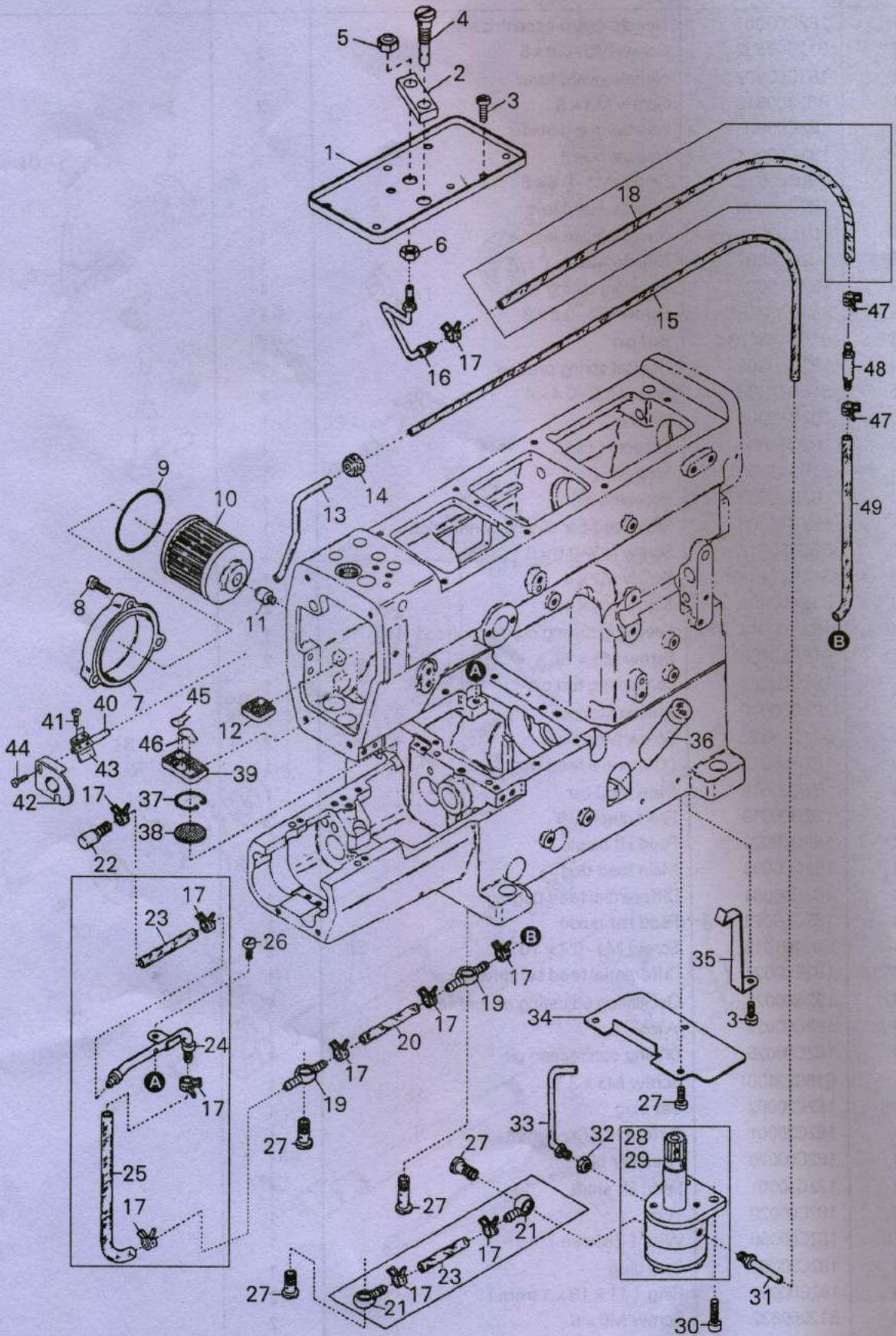
12. FEED DRIVING MECHANISM



12. FEED DRIVING MECHANISM

No	Ret. No.	Description	Qt	Note
1	182C00001	Needle guard eccentric	1	
2	B12500532	Screw M5-0.8×5	2	
3	182C00002	Needle guard lever	1	
4	B62300812	Screw M3×8	2	
5	182C00003	Needle guard holder	1	
6	182C00004	Needle guard	1	
7	B60300612	Screw M3-0.5×6	2	
8	182C00005	Needle guard lever	1	
9	182C00006	Needle guard holder	1	
10	182C00007	Needle guard	1	
11	182C10007	Feed regulating stop	1	
12	043300022	Screw M3-0.5×8	1	
13	S150446003	Roll pin	1	
14	182C10006	Conical spring presser	1	
15	S150218002	Screw M2-0.4×4	2	
16	182C10005	Washer	1	
17	182C10004	Eccentric cam	1	
18	S150435007	Stop pin	1	
19	182C10003	Eccentric pin	1	
20	182C10000	Main feed bar driving connection	1	
21	B60300612	Screw M3-0.5×6	1	
22	S150224017	Screw M2×4	1	
23	B12400432	Screw M4×4	2	
24	182C00014	Feed dog driving connection rod	1	
25	S150237001	Screw M5×18	2	
26	182C00015	connecting rod pin	1	
27	182C00016	limiting stopper	1	
28	B12060632	Screw M6-1×6	2	
29	182C00017	Differential feed bar	1	
30	182C00018	Main feed bar	1	
31	182C00019	Feed dog key	2	
32	182C00020	Feed lift block	1	
33	182C00033	Main feed dog	1	
34	182C00034	Differential feed dog	1	
35	182C00023	Feed bar guide	1	
36	B62401012	Screw M4-0.7×10	2	
37	182C00024	Differential feed bar driving cor	1	
38	182C00025	Oscillation adjusting eccentric	1	
39	182C00027	Wick	1	
40	182C00026	Driving connection pin	1	
41	S150224001	Screw M3×3	1	
42	182C20002	Set plug	1	
43	182C20001	Differential feed shaft	1	
44	182C00028	Feed bar block	1	
45	182C30001	Feed lift shaft	1	
46	182C00029	Wick	1	
47	182C00030	Wick (280mm)	1	
48	182C30002	Seal plug	1	
49	182C00031	Ring (11×18×11mm)	2	
50	B12060632	Screw M6×6	2	
51	182C00032	Feed bar guide	1	
52	B62400812	Screw M4×8	2	

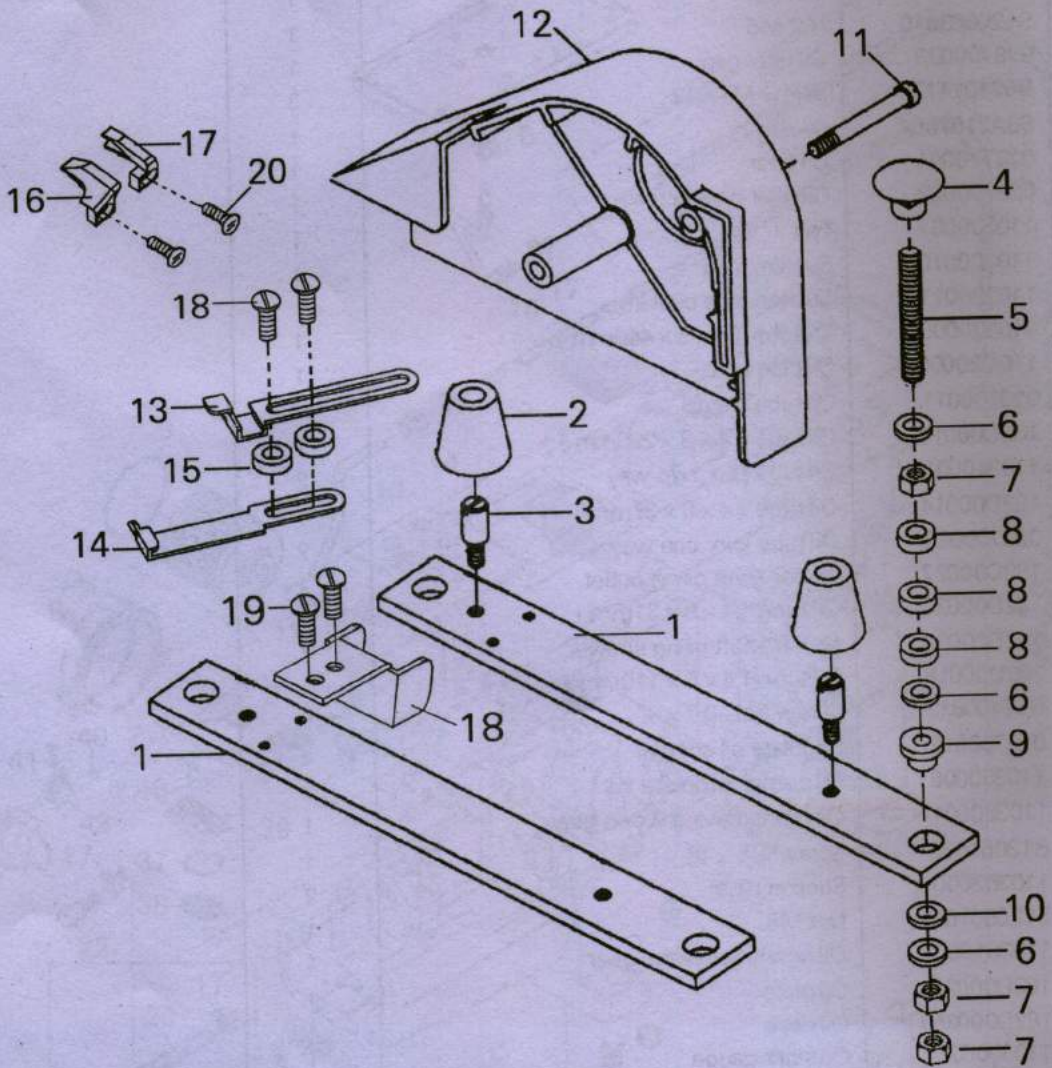
13. LUBRICATING MECHANISM



13. LUBRICATING MECHANISM

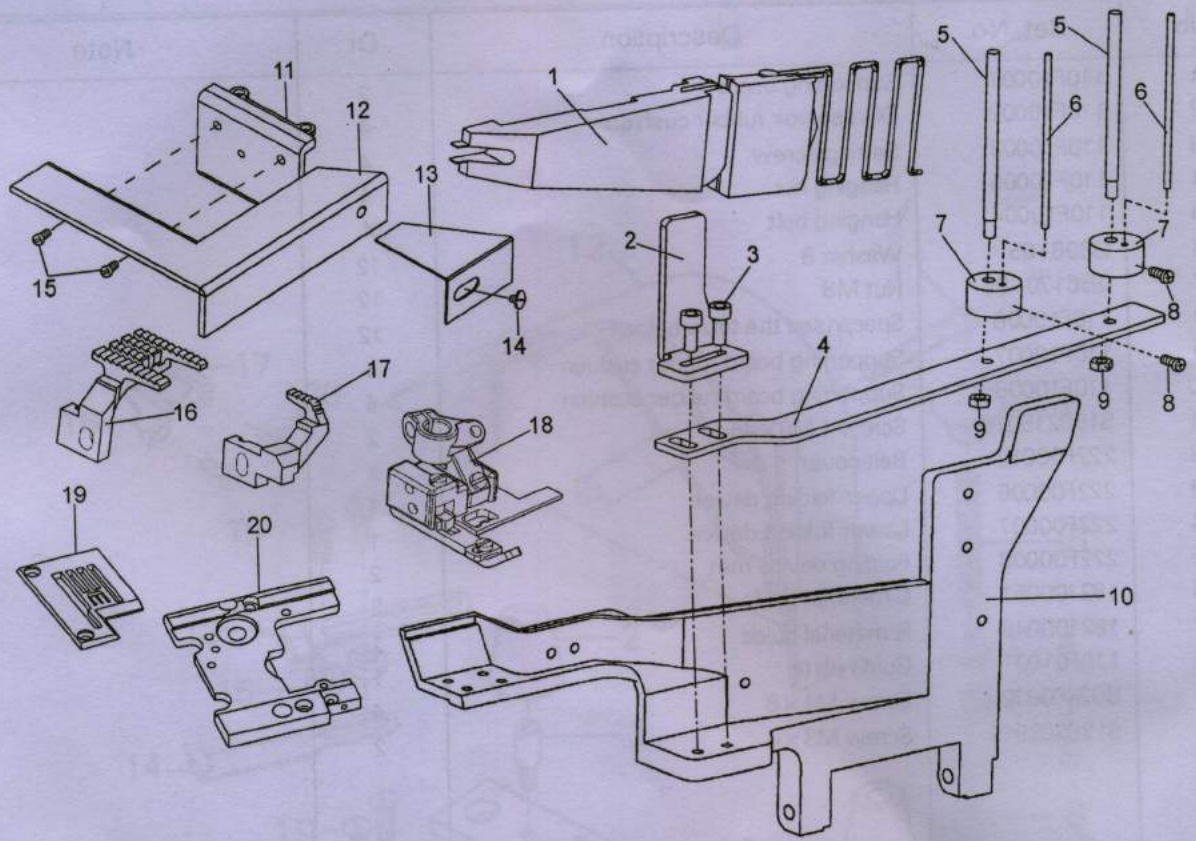
No	Ret. No.	Description	Qt	Note
1	110G10001	Oil reservoir	1	
2	110G10002	Regulate oil block	1	
3	S150237002	Screw M4-0.7×5	6	
4	221200029	Regulate oil screw	1	
5	S120501011	Nut M6	1	
6	S120503010	Nut M5	1	
7	028700023	Oil filter cap	1	
8	B62401412	Screw M4 × 12	3	
9	S8A3107004	O-ring	1	
10	028770001	Oil filter	1	
11	028700022	Oil filter connector	1	
12	110300007	Felt	1	
13	110300010	Suction pipe	1	
14	110300011	Suction pipe bushing	1	
15	110300008	Oil tube (3×5 × 440mm)	1	
16	110G20000	Oil pipe unit	1	
17	028700011	Oil tube clamp	14	
18	182D00011	Oil tube (4×6 × 290mm)	1	
19	110340001	Oil tube join ,two way	2	
20	182D00014	Oil tube (4×6 × 37mm)	1	
21	028700010	Oil tube join ,one way	2	
22	182D00027	Lower shaft oiling outlet	1	
23	182D00020	Oil tube (4×6 × 31mm)	2	
24	182D20000	Lower shaft oiling shower	1	
25	182D00018	Oil tube (4×6 × 110mm)	1	
26	B62400812	Screw M4-0.7×8	2	
27	028700012	Regulate oil screw	4	
28	110360000	Oil pump complete set	8	
29	110360001	Oil pump driving worm gear	1	
30	B18061632	Screw M6 × 16	1	
31	110362000	Suction pipe	2	
32	S120501011	Nut M6	1	
33	110361000	Oil nozzle for worm gear	1	
34	182D00026	Oil plate	1	
35	182D00025	Oil case	1	
36	110300002	Oil sight gauge	1	
37	110300006	Oil filter screen clamp	1	
38	110300005	Oil filter screen	1	
39	110G00014	Felt	1	
40	110G00011	Oil pipe fixed bar	1	
41	B12400432	Screw M4 × 4	1	
42	110G00012	Bed front plate	1	
43	110G00013	Bed right plate	1	
44	S150237002	Screw M4 × 5	2	
45	110G00015	Felt clip (1)	1	
46	110G00016	Felt clip (2)	1	
47	110300014	Oil tube clamp	2	
48	110341000	Non-return valve unit	1	
49	110300008	Oil tube	1	

14. ACCESSORIES



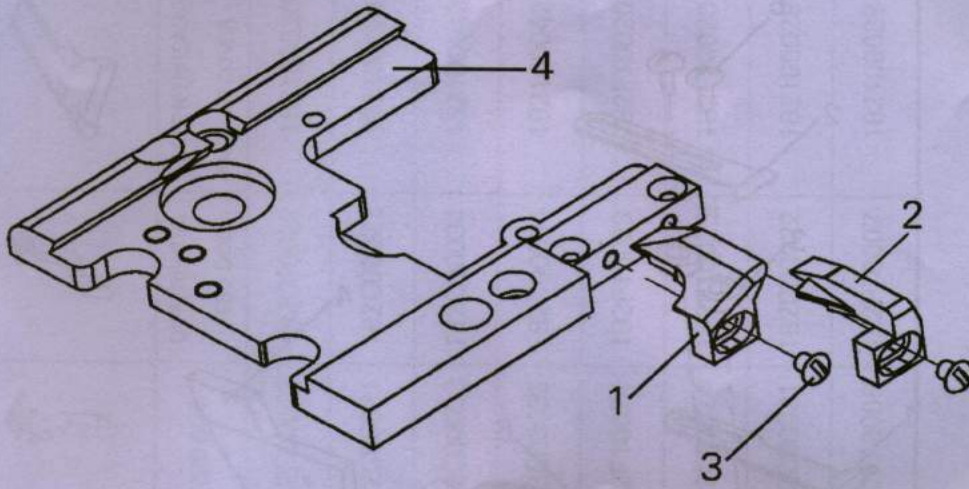
14. ACCESSORIES

No	Ret. No.	Description	Qt	Note
1	110F10001	Supporting board	2	
2	110F10002	Oil reservoir rubber cushion	4	
3	110F10003	Setting screw	4	
4	110F10005	Hanging nut	4	
5	110F10004	Hanging bolt	4	
6	GB96-85	Washer 8	12	
7	GB6170-86	Nut M8	12	
8	110F10006	Spacer(see the table below)	12	
9	110F10007	Supporting board rubber cushion	4	
10	110F10008	Supporting board rubber cushion	4	
11	S150215016	Screw (M6 x 45)	2	
12	222F00012	Belt cover	1	
13	222F00006	Upper folding device	1	
14	222F00007	Lower folding device	1	
15	222F00008	Folding device met	2	
16	182100051	L material guide	2	
17	182100048	R material guide	1	
18	110F01001	Guide plate	1	
19	B62400812	Screw M4 x 8	4	
20	S120203019	Screw M3 x 6	2	



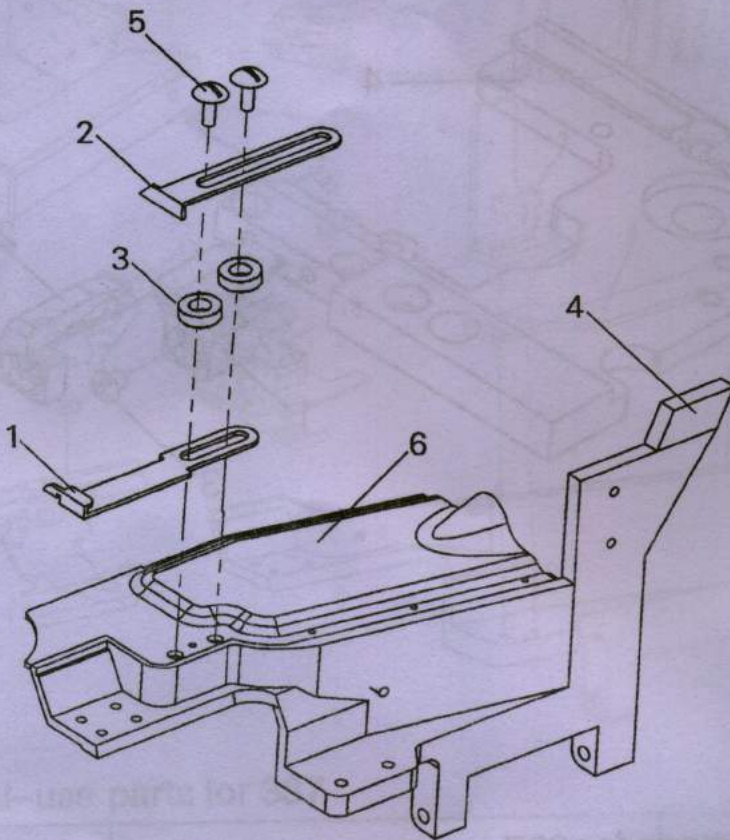
Collar Special-use parts for 337

No	Ret. No.	Description	Qt	Note
1	110A11000	Binding	1	
2	222F00009	Tape binding	1	
3	S150220002	Screw 4x12	2	
4	221F00012	Binder plug	1	
5	118440002	Tape guide (thick)	2	
6	118110004	Tape guide(short)	2	
7	118110003	Tape guide adjusting holder	2	
8	011100006	Screw	4	
9	S150559004	Nut M4	2	
10	222100045	Front cover plate	1	
11	222100001	Left cover plate	1	
12	222100056	Connecting plate	1	
13	182F10016	plate	1	
14	110A10006	Screw	1	
15	S150237012	Screw	2	
16	182F10024	Feed dog	1	
17	182F10023	Differential feed dog	1	
18	110A41000	Presser foot, complete set	1	
19	222100053	Needle clamp	1	
20	222100055	Stitch plate support	1	



Seam Special—use parts for 337


No	Ret. No.	Description	Qt	Note
1	182100051	L material guide	1	
2	182100048	R material guide	1	
3	S120205001	Screw M3x6	2	
4	182100030	Stitch plate support	1	



Fold hem Special–use parts for 337

No	Ret. No.	Description	Qt	Note
1	222F00007	Lower folding device	1	
2	222F00006	Upper folding device	1	
3	222F00008	Folding pad	1	
4	222100045	Front cover Plate	1	
5	S150237004	Screw M4 × 12	2	
6	222100020	Front cover(upper)	1	

337 SERIES GAUGE PARTS LIST

TYPE			NEEDLE CLAMP	PRESSER FOOT	NEEDLE PLATE	FEED DOG	DIFFERENTIAL FEED DOG	
	NO. OF NEEDLE	NEEDLE GAUGE						
337-1348	3	4.8	182610005	110693000	110400038	182C00021	182C00022	182100028
337-1356	3	5.6	182610006	110691000	110400039	182C00021	182C00022	182100028
337-1364	3	6.4	182610007	110692000	110G00003	182C00033	182C00034	182100042
337-1460	4	6.0	182610008	182710018	182600026	182C00033	182C00034	182100042
337-1356-1	3	5.6	182610006	110A41000	182F10007	182F10024	182F10023	182F10020
337-1364-1	3	6.4	182610007	110A42000	182F10029	182F10024	182F10023	182F10020
337-1356-2	3	5.6	182610006	182F28000	182600013	182C00021	182C00022	182100028
337-1356-7	3	5.6	182610006	110691000	182F70005	182F70006	182F70007	182100028

Index

Code	No.	Page
008200067	50	6
008200068	49	6
008230003	27	6
008230003	30	8
008600015	6	8
022100006	5	14
022160005	7	6
022540004	32	16
028100068	13	18
028200026	12	18
028283007	6	6
028700010	21	26
028700011	17	26
028700012	27	26
028700022	11	26
028700023	7	26
028770001	10	26
043300022	12	24
043600005	12	16
052200036	13	12
110100002	7	2
110100016	9	4
110100017	8	4
110100019	28	8
110100027	28	6
110130002	3	2
110140000	22	8
110140001	23	8
110140002	27	8
110150003	30	4
110150004	33	4
110200002	47	6
110200002	1	8
110200004	26	12
110200005	24	12
110200006	25	12
110200007	11	8
110200008	10	8
110200009	37	6
110200010	16	18
110200011	20	18
110200012	21	18
110200013	24	18
110200014	25	18
110200016	7	8
110200017	8	8
110200018	5	8
110200019	15	6
110200021	7	12

Code	No.	Page
110200022	9	10
110200022	9	12
110200023	5	12
110200024	15	12
110200027	26	6
110200029	33	8
110200032	35	14
110200033	36	14
110200034	39	16
110200035	36	6
110220000	12	14
110220001	13	14
110220002	18	14
110220003	15	14
110220004	16	14
110220005	4	14
110220006	20	14
110230001	21	14
110230002	23	14
110260001	43	6
110260002	45	6
110260003	40	6
110260004	39	6
110260005	44	6
110270000	16	12
110270002	19	12
110270003	21	12
110280000	32	8
110280000	25	22
110290001	27	12
110290005	30	12
110290005	31	12
110300002	36	26
110300005	38	26
110300006	37	26
110300007	12	26
110300008	15	26
110300008	49	26
110300010	13	26
110300011	14	26
110300014	47	26
110340001	19	26
110341000	48	26
110360000	28	26
110360001	29	26
110361000	33	26
110362000	31	26
110400006	22	18
110400023	11	14
110400038	10-1	14

Code	No.	Page
110400039	10-2	14
110500001	49	10
110500020	17	6
110520000	5	10
110550005	18	12
110600001	3	16
110600004	6	16
110600005	4	8
110600006	13	16
110600007	3	8
110600008	22	16
110600009	9	8
110600012	10	16
110600013	15	16
110610001	1	16
110610002	2	16
110620000	4	16
110630001	25	16
110630002	20	16
110630003	19	16
110630004	18	16
110640001	23	16
110650001	30	16
110650002	26	16
110650003	29	16
110650004	31	16
110660000	38	16
110671000	36	16
110680001	34	16
110681000	33	16
110691000	17-2	16
110692000	17-3	16
110693000	17-1	16
116120001	25	8
116200015	12	6
116200016	11	6
116200018	48	6
116240002	3	14
116240003	2	14
116250001	25	6
116250002	22	6
116250003	21	6
182100008	21	2
182100009	22	2
182100012	23	2
182100013	24	2
182100015	27	2
182100021	3	4
182100022	4	4
182100030	17	4

Code	No.	Page
182100031	20	4
182100032	21	4
182100034	23	4
182100035	34	4
182100045	18	4
182100048	17	28
182100049	16	4
182100051	16	28
182100053	32	2
182100054	30	2
182140005	38	4
182230001	46	6
182300013	12	8
182300014	13	8
182300015	14	8
182300016	15	8
182300017	16	8
182300018	17	8
182300019	19	8
182300020	20	8
182300021	21	8
182400004	8	10
182400006	12	10
182400010	15	10
182400011	16	10
182440001	14	10
182440002	17	10
182440003	18	10
182520002	1	12
182600019	1	14
182610001	6-1	14
182610002	6-2	14
182610003	6-3	14
182610004	6-4	14
182610005	6-5	14
182610006	6-6	14
182610007	6-7	14
182610009	9	14
182610010	8	14
182620001	19	14
182630000	24	14
182630001	27	14
182630002	28	14
182630003	29	14
182630004	30	14
182630005	31	14
182631000	25	14
182700005	9	16
182700009	8	16
182900001	1	20

Code	No.	Page	Code	No.	Page	Code	No.	Page	Code	No.	Page
182900002	3	20	222100038	25	4	1102K0003	31	6	182A00022	36	22
182900003	5	20	222100041	44	4	1102K0004	32	6	182A00023	37	22
182900004	6	20	222100042	46	10	110F01001	18	28	182A00024	39	22
182900005	8	20	222100043	38	10	110F10001	1	28	182A00025	40	22
182900006	2	20	222100044	36	10	110F10002	2	28	182A00026	44	22
182900007	11	20	222100045	29	4	110F10003	3	28	182A00027	45	22
182900008	12	20	222100046	16	2	110F10004	5	28	182A00028	11	22
182900009	13	20	222100049	30	10	110F10005	4	28	182A00029	15	22
182900010	14	20	222100050	18	6	110F10006	8	28	182A10000	47	22
182900011	16	20	222100051	19	6	110F10007	9	28	182A10001	5	22
182900012	18	20	222100052	2	8	110F10008	10	28	182A10002	8	22
182900013	22	20	222100057	43	4	110G00003	10-3	14	182A10003	10	22
182900016	40	20	222120000	19	10	110G00006	33	12	182A20001	29	22
182910001	19	20	222130000	21	10	110G00009	34	12	182C00001	1	24
182910002	20	20	222130002	24	10	110G00011	40	26	182C00002	3	24
182910003	21	20	222130003	26	10	110G00012	42	26	182C00003	5	24
182920001	25	20	222130004	34	10	110G00013	43	26	182C00004	6	24
182930000	28	20	222130005	22	10	110G00014	39	26	182C00005	8	24
182930001	29	20	222140002	41	10	110G00015	45	26	182C00006	9	24
182930002	32	20	222180002	44	10	110G00016	46	26	182C00007	10	24
182940001	33	20	222180010	40	10	110G10001	1	26	182C00014	24	24
182940002	36	20	222180016	48	10	110G10002	2	26	182C00015	26	24
182940003	35	20	222191000	42	4	110G20000	16	26	182C00016	27	24
182941001	38	20	0527300101	32	14	110G30001	11	12	182C00017	29	24
182941002	39	20	0084A0001	24	20	155A10004	3	6	182C00018	30	24
182950001	43	20	022180001--V	4	2	155A10004	4	6	182C00019	31	24
182950002	44	20	110100003--V	8	2	155A10005	2	6	182C00020	32	24
197100016	19	2	S12020500	33	2	155A10007	9	6	182C00023	35	24
197120001	11	4	110100003--V	6	4	155A10009	1	6	182C00024	37	24
197120002	12	4	110100026--V	7	4	182100037--V	39	4	182C00025	38	24
197120003	13	4	110100035--W	6	2	182100037--V	18	8	182C00026	40	24
198000020	28-1	2	110130001--W	1	2	182100038--V	5	2	182C00027	39	24
198000021	28-2	2	1102a0000	1	18	182100038--V	40	4	182C00028	44	24
221100014	41	6	1102a0001	2	18	1821a0000	25	2	182C00029	46	24
221100015	34	6	1102a0002	5	18	182A00001	1	22	182C00030	47	24
221100039	1	10	1102a0003	9	18	182A00002	3	22	182C00031	49	24
221200029	4	26	1102a0004	8	18	182A00004	12	22	182C00032	51	24
221240001	51	10	1102a0005	14	18	182A00005	13	22	182C00033	33	24
221240002	52	10	1102a0006	10	18	182A00006	14	22	182C00034	34	24
221250001	28	10	1102b0001	17	18	182A00007	17	22	182C10000	20	24
221250002	27	10	1102b0002	19	18	182A00008	19	22	182C10003	19	24
221250005	32	10	1102d0001	8	12	182A00009	20	22	182C10004	17	24
221290001	53	6	1102f0001	4	12	182A00010	21	22	182C10005	16	24
221290002	52	6	1102g0001	6	12	182A00011	22	22	182C10006	14	24
222100003	15	2	1102h0001	13	6	182A00012	23	22	182C10007	11	24
222100004	12	2	1102h0002	10	6	182A00014	26	22	182C20001	43	24
222100006	17	2	1102h0003	5	6	182A00015	27	22	182C20002	42	24
222100007	10	2	1102h0003	8	6	182A00016	28	22	182C30001	45	24
222100020	35	4	1102K0000	29	6	182A00017	31	22	182C30002	48	24
222100026	7	10	1102K0001	30	6	182A00021	34	22	182D00011	18	26

Code	No.	Page
182D00014	20	26
182D00018	25	26
182D00020	23	26
182D00025	35	26
182D00026	34	26
182D00027	22	26
182D20000	24	26
222100001--W	14	2
222100002--W	9	2
222100019--W	14	4
222100037--W	27	4
222160000--W	1	4
222F00006	13	28
222F00007	14	28
222F00008	15	28
222F00012	12	28
B12060632	41	4
B12060632	3	10
B12060632	13	10
B12060632	2	12
B12060632	14	12
B12060632	18	18
B12060632	7	20
B12060632	2	22
B12060632	28	24
B12060632	50	24
B12400432	13	2
B12400432	43	10
B12400432	14	16
B12400432	23	18
B12400432	17	20
B12400432	33	22
B12400432	23	24
B12400432	41	26
B12500532	20	10
B12500532	3	18
B12500532	30	20
B12500532	9	22
B12500532	2	24
B18061632	22	12
B18061632	15	18
B18061632	30	26
B60300612	42	6
B60300612	7	24
B60300612	21	24
B62300812	20	12
B62300812	4	24
B62400812	10	4
B62400812	14	6
B62400812	24	6

Code	No.	Page
B62400812	10	10
B62400812	23	10
B62400812	10	12
B62400812	32	12
B62400812	26	14
B62400812	11	16
B62400812	7	18
B62400812	37	20
B62400812	16	22
B62400812	52	24
B62400812	26	26
B62400812	19	28
B62401012	11	2
B62401012	37	4
B62401012	38	22
B62401012	36	24
B62401412	2	2
B62401412	34	20
B62401412	8	26
B62401612	22	14
B62401612	7	16
B62401612	26	18
BXF8899009	29	2
GB6170-86	7	28
GB96-85	6	28
S120104019	37	16
S120203013	26	8
S120203019	20	28
S120205001	36	4
S120205001	35	22
S120501003	26	4
S120501003	31	8
S120501005	27	20
S120501011	11	18
S120501011	5	26
S120501011	32	26
S120503010	6	26
S150215002	24	8
S150215016	11	28
S150218002	15	24
S150218005	38	6
S150218005	39	10
S150220001	43	22
S150220002	2	4
S150220002	15	20
S150220002	18	22
S150220004	29	12
S150220005	41	20
S150220006	26	2
S150220007	23	12

Code	No.	Page
S150220007	14	14
S150220009	17	12
S150220009	27	16
S150220015	18	2
S150220020	37	10
S150220041	15	4
S150220041	4	20
S150220042	45	20
S150224001	32	4
S150224001	41	24
S150224002	34	14
S150224008	47	10
S150224017	22	24
S150225001	2	10
S150225002	4	22
S150237001	25	24
S150237002	20	2
S150237002	31	2
S150237002	24	4
S150237002	45	4
S150237002	16	6
S150237002	35	10
S150237002	33	14
S150237002	24	16
S150237002	35	16
S150237002	23	20
S150237002	3	26
S150237002	44	26
S150237004	5	16
S150237004	27	18
S150237008	19	4
S150237008	20	6
S150237008	25	10
S150237008	29	10
S150237008	31	10
S150237008	50	10
S150237008	16	16
S150237008	9	20
S150237022	28	4
S150238001	5	4
S150241001	35	6
S150435001	32	22
S150435007	18	24
S150446003	26	20
S150446003	13	24
S150446004	10	20
S150446006	30	22
S150446009	21	16
S150643001	31	4
S150643001	33	10

Code	No.	Page
S150643002	29	8
S150643002	46	22
S150649001	6	18
S150656004	24	22
S150866002	4	18
S150866003	7	22
S150866004	31	20
S150866005	17	14
S150866006	6	10
S150866006	3	12
S150866007	4	10
S150866008	42	20
S150866013	11	10
S150866059	42	10
S150866060	45	10
S150901001	7	14
S4A0105006	28	16
S4A0500010	12	12
S4B1202008	22	4
S8A3103006	41	22
S8A3103008	46	20
S8A3103012	28	12
S8A3103012	42	22
S8A3104002	33	6
S8A3107004	9	26
SFB0502001	51	6
SFB0601008	23	6
SFB1403014	6	22

1. Instruction

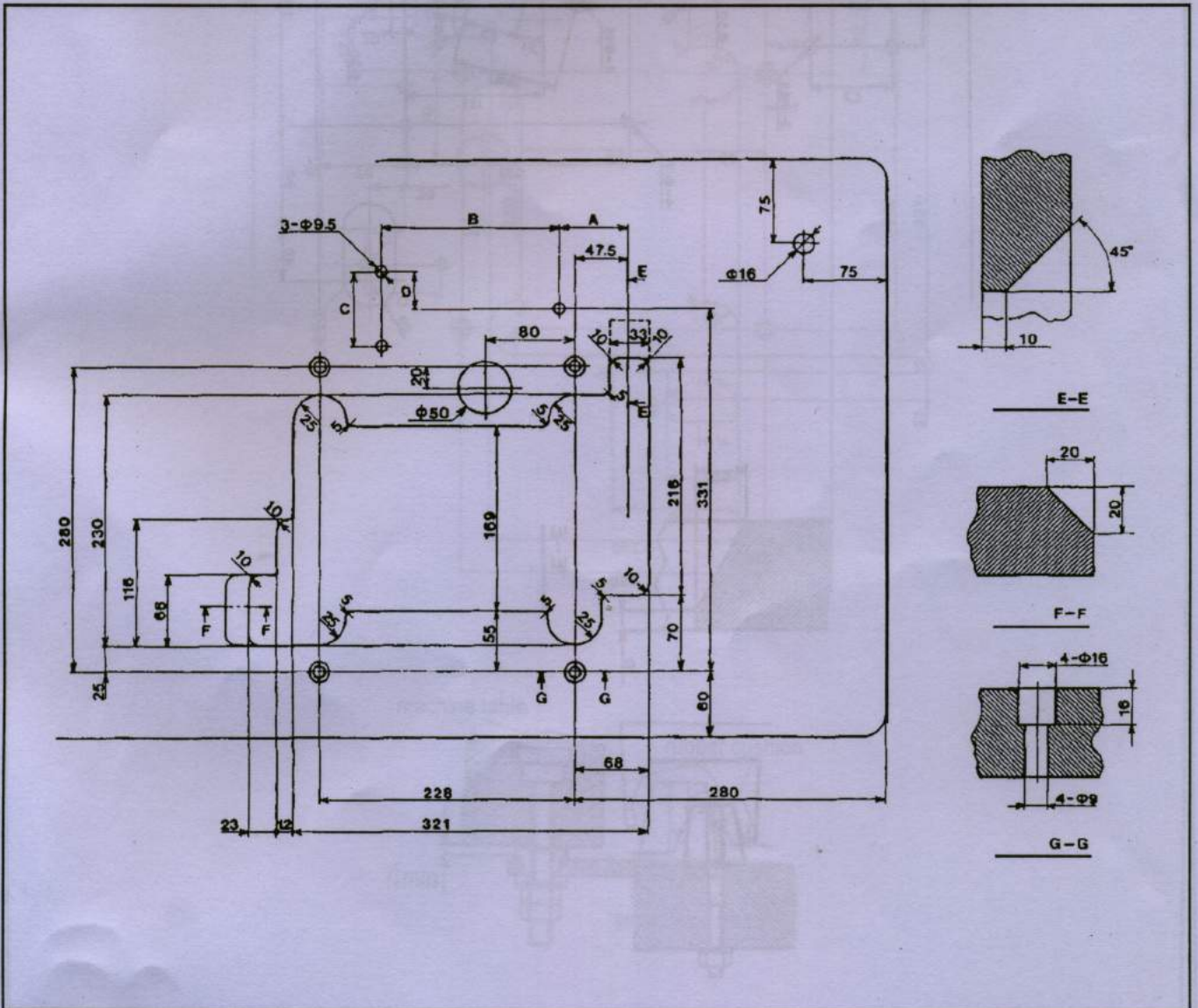
Model 337 interlock stitch sewing machine is special equipment suitable for trades of knitwear, under-wear, etc. This series of products is capable of sewing many stitches, for example, plain interlock stitch, fell interlock stitch, collar and band binding stitch.

2. Specification

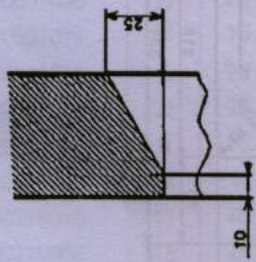
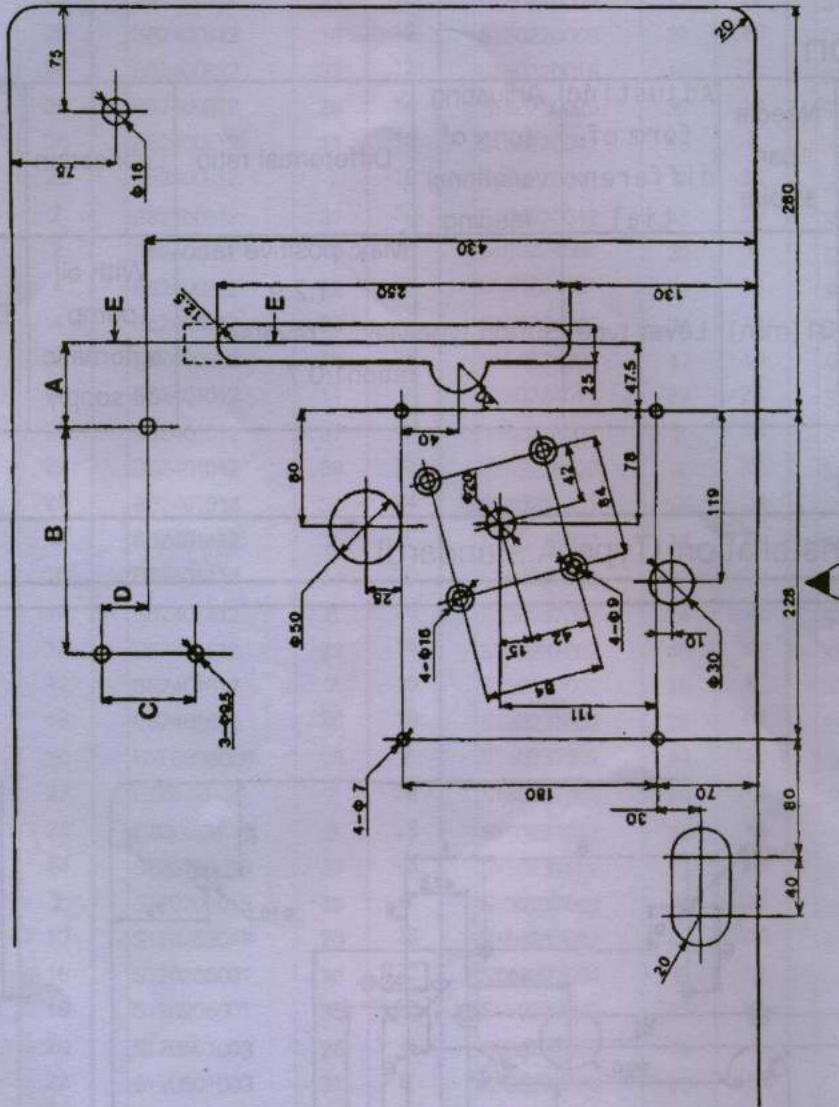
Sewing speed	Gauge of needles	Needle bar stroke	Adjusting form of differential	Adjusting form of variational feeding	Differential ratio	Lubrication	Needle
6000 r/min	1.4-4.5mm	31 (mm)	Lever type	Button type	Max. positive ratio 1:2.9 Max. reverse ratio 1:0.7	With oil pump automatic oil supply	GK16 or UY1 28 DV×63

3. Installation

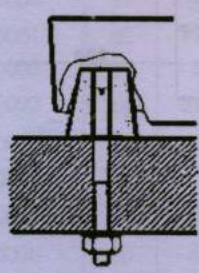
3-1 Table top installation (Type A: standard)



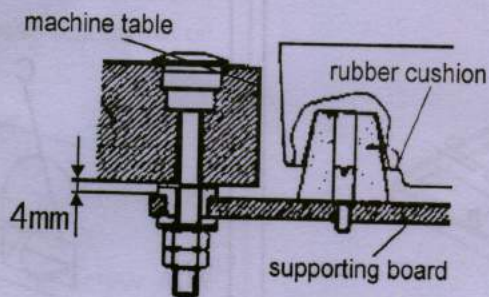
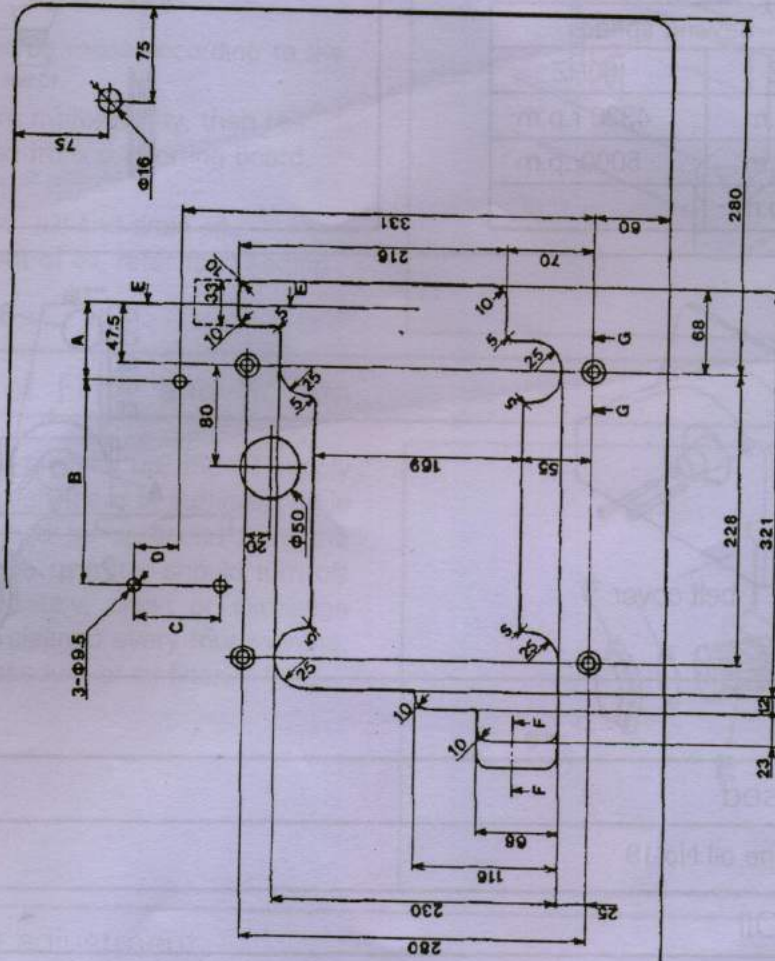
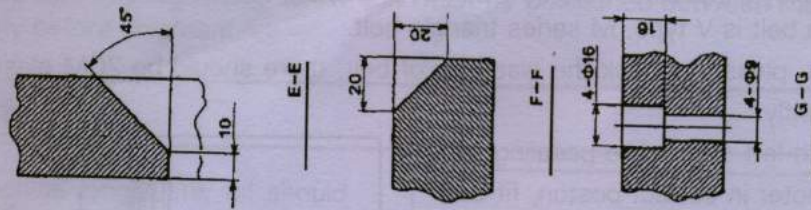
3-2 Table top installation (Type B)



E-E



3-3 Semi-submerged installation



4. Sewing Speed and Setting Up of Pulley

The highest sewing speed is 6000r.p.m.

However, it is preferable to operate the new machine at 4000r.p.m. in about 200 hours, after which at 4600r.p.m. ordinary speed. This manner will help life of machine to be much longer.

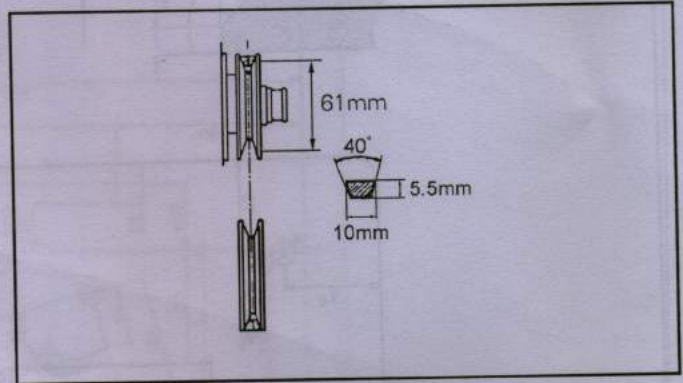
Turing directing of pulley (A) is clockwise as well as handwheel (B).

The transmission belt is V type, M series triangle belt.

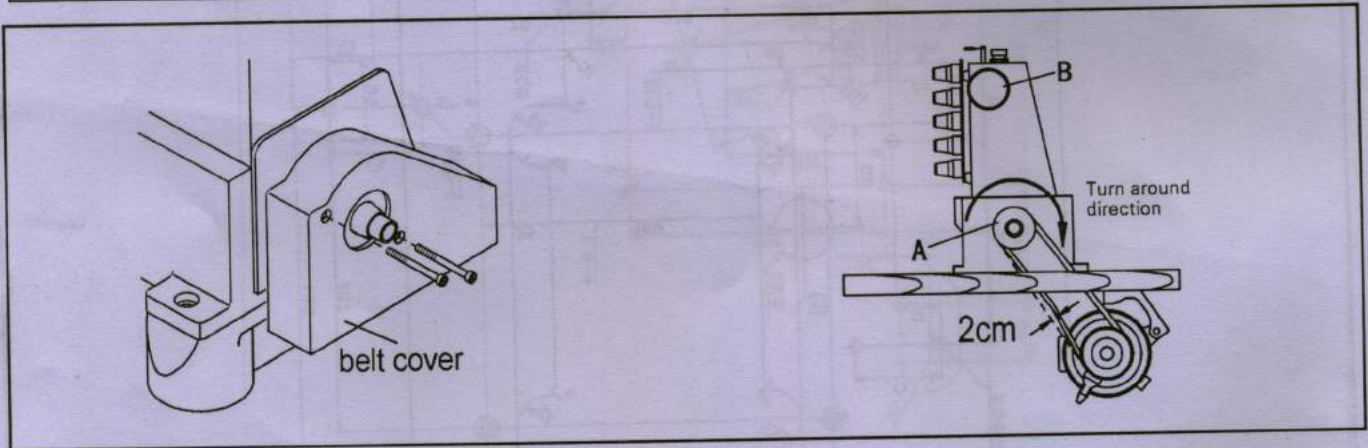
After putting belt, please recheck the elasticity of belt, there should be 2CM elasticity when pressing the middle of belt lightly.

Pulleys shifted to left side while pedaling.

After fixing of moter in correct poston, fit on belt guard cover.



Dia of motor	Sewing speed	
Pulley(d)	50HZ	60HZ
80mm	3600 r.p.m	4320 r.p.m
90mm	4100 r.p.m	5000r.p.m
111mm	5000 r.p.m	



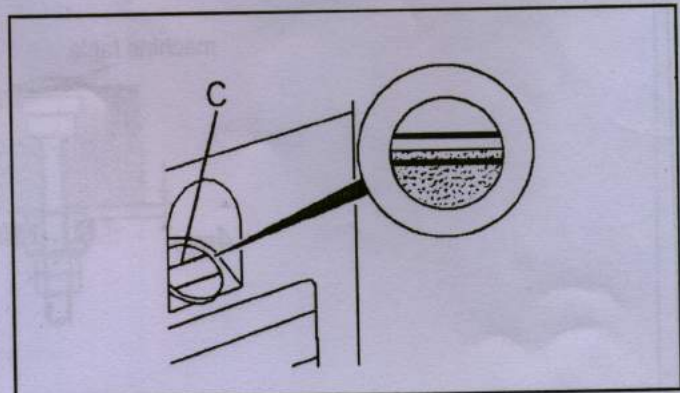
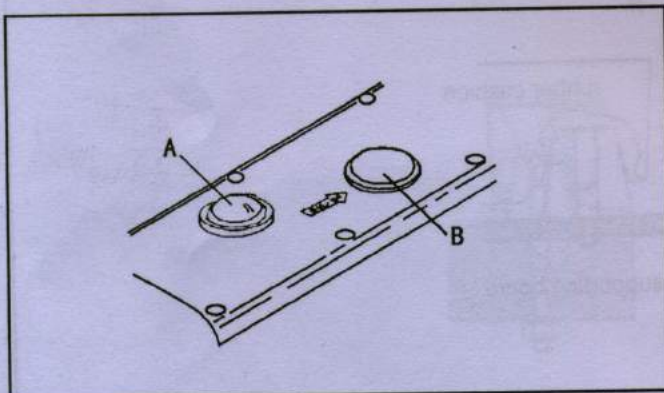
5. Lubrication

5-1 Oil to Be Used

Use sewing machine oil No.18

5-2 Feeding of Oil

Because oil will have been drained completely from machine at shipment, it must be filled in reservoir up to upper line of oil gauge (C).



5-3 Oil Sight Gauge and Check Procedure of Oil Cycling.

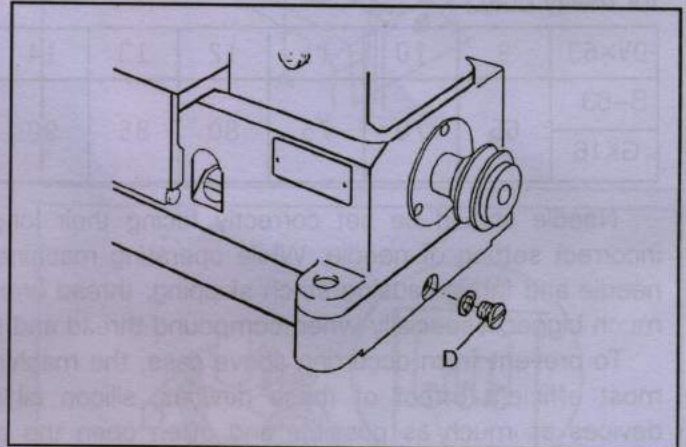
Check oil sight gauge everyday before operation and replenish oil if its face is below underline of the gauge. Looking through oil sight top nozzle before operation, observe the flowing of oil. Caution must be made that this regulating screw slot must be positioned between marks. Usually it has been adjusted properly before shipment.

5-4 Exchange of Oil

To keep the machine longer life, oil should be changed completely after the initial use around 200 hours, then change oil 4 or 6 times yearly.

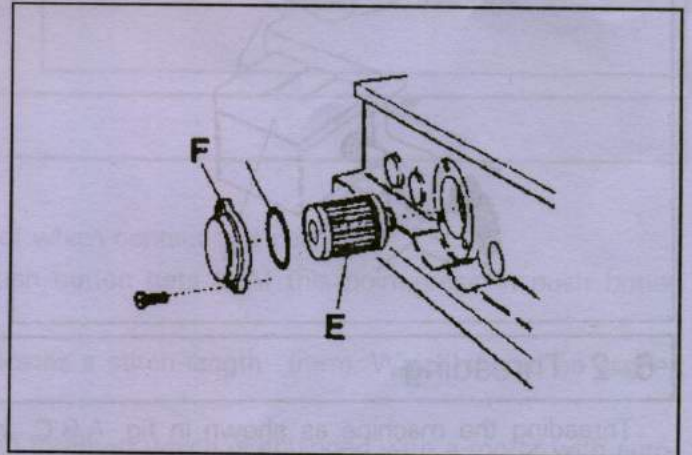
Change of oil shall be made according to the following order:

- a. Remove V belt from motor pulley, then remove machine head from supporting board.
- b. Remove belt guard.
- c. Remove drain screw (D) and drain oil.
- e. As for replenishment of oil, refer to "Feeding of Oil".



5-5 Cleaning of Filter and Screen.

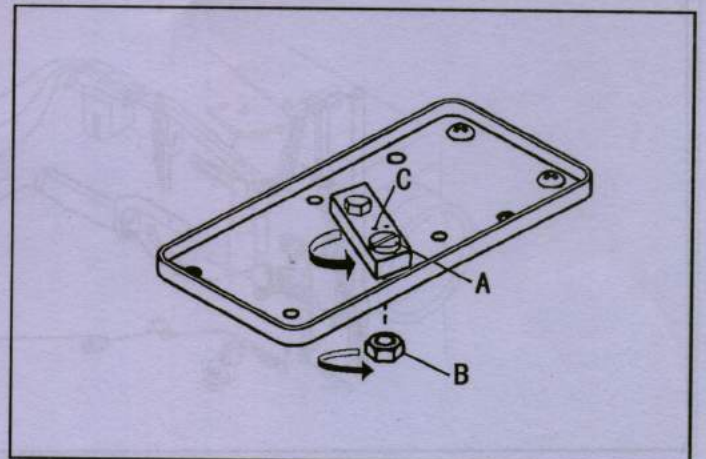
When the filter is blocked up, the oil supply will be affected. Although there is sufficient oil in oil reservoir, no oil could be spreaded from the nozzle. In the case, the operator should turn off the machine immediately, clean or exchange the filter. It should be cleaned every four months. As for the remove procedure of oil filter.



5-6 Oil amount adjustment

Open the faceplate, observe the oil baffle plate, it is normal when it drips between 5 seconds and 10 seconds, if it is not normal, please adjust the oil amount as below step:

1. Remove the top cover.
2. Release the nut B.
3. Adjust the direction of Screw A, when the slot of the screw A parallel with the point C, it is the max oil amount, and rotate the screw A in clockwise, until the oil amount is suitable, and lock the nut B.

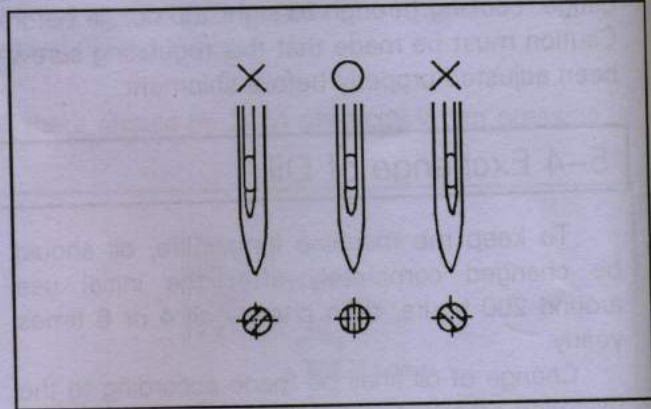


6. Proper Operation

6-1 Needle to Be Used, Fitting Of Needle and "SP" and "HR" Device.

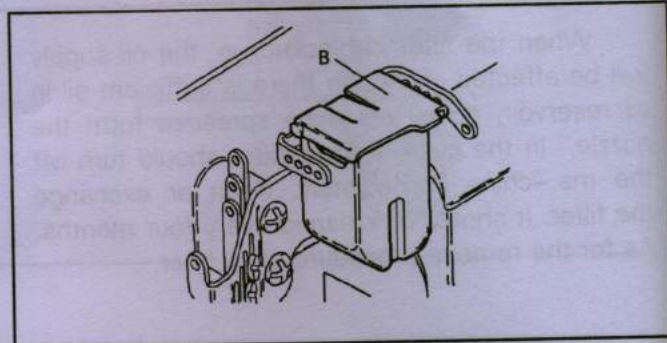
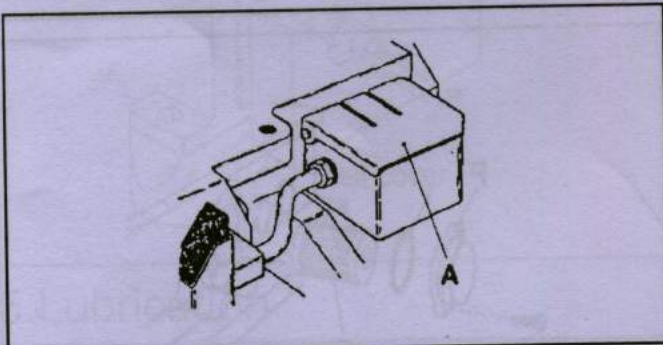
The machine uses needles of Model GK16, DVx63, B-63, or type of UY128 GAS. These are many sizes of needles, so that suitable size to the nature of sewing materials must be select. Generally, needle of #65 -90 is the standard size for lightweight, medium weight and medium heavy fabrics and #90 for heavy duty.

DVx63	9	10	11	12	13	14
B-63	65	70	75	80	85	90
GK16						



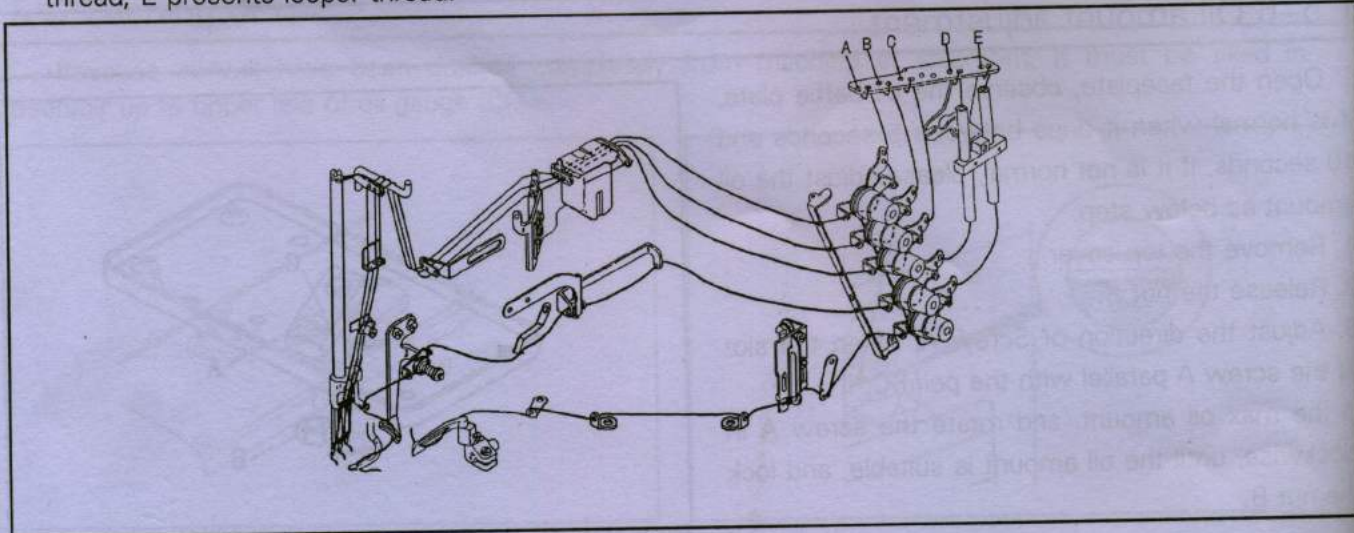
Needle should be set correctly facing their long slot towards operator; mark (X) in fig. 12 shows incorrect setting of needle. While operating machine in high speed, due to the friction occurred between needle and fabric causing stitch skipping, thread broken and the penetrated hole on the fabric will become much bigger, especially when compound thread and fabric are used.

To prevent from occurring above case, the machine is equipped device of needle lubrication. To achieve most efficient effect of these devices, silicon oil should be used. Generally, we suggest using these devices as much as possible and often open the covers of them, checking the oil amount and making feeding of silicon oil in time. If these devices are not necessary, it's better for you to take out felt from the devices and not let the needle tips and thread to touch them.



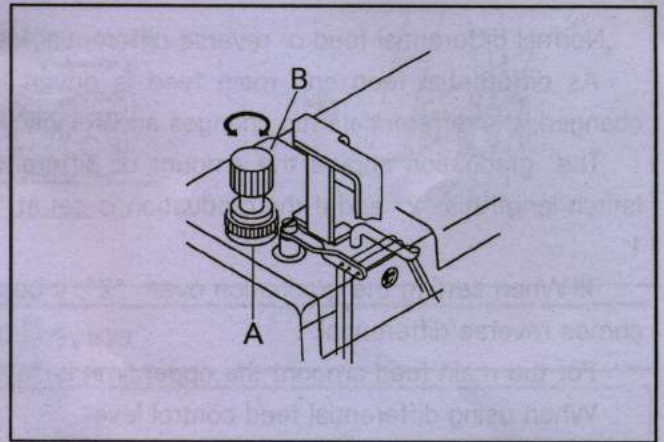
6-2 Threading

Threading the machine as shown in fig. A.B.C. indicate needle thread, D stand for upper ornamental thread, E presents looper thread.

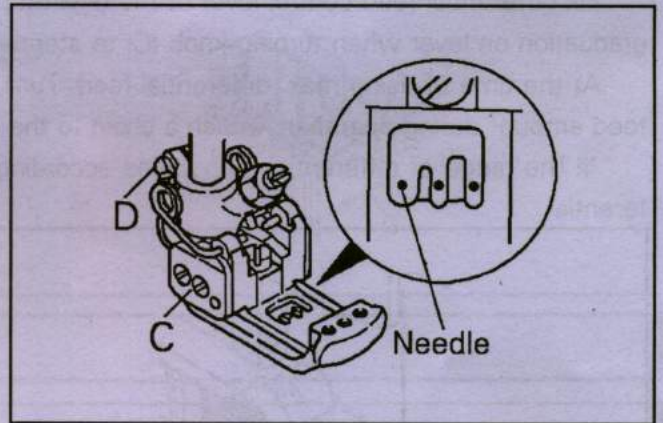


6-3 Pressure of Presser Foot and Its Adjustment

When pressure regulating screw (B) is turned clockwise, increase the pressure of presser foot; otherwise decrease it. Imperfect feeding or poor stitch will be caused if the pressure of presser foot is not set properly, so that, to keep the pressure of presser foot as weakly as possible under the condition that stitch is uniform.



If the needle doesn't drop into the center of dropping space as the illustration shows, it is necessary to make adjustment. Firstly, to loosen screw (D), and move presser foot (C), to assure the needle drop correctly. Then tighten screw (D) again.



6-4 Adjusting Stitch Length

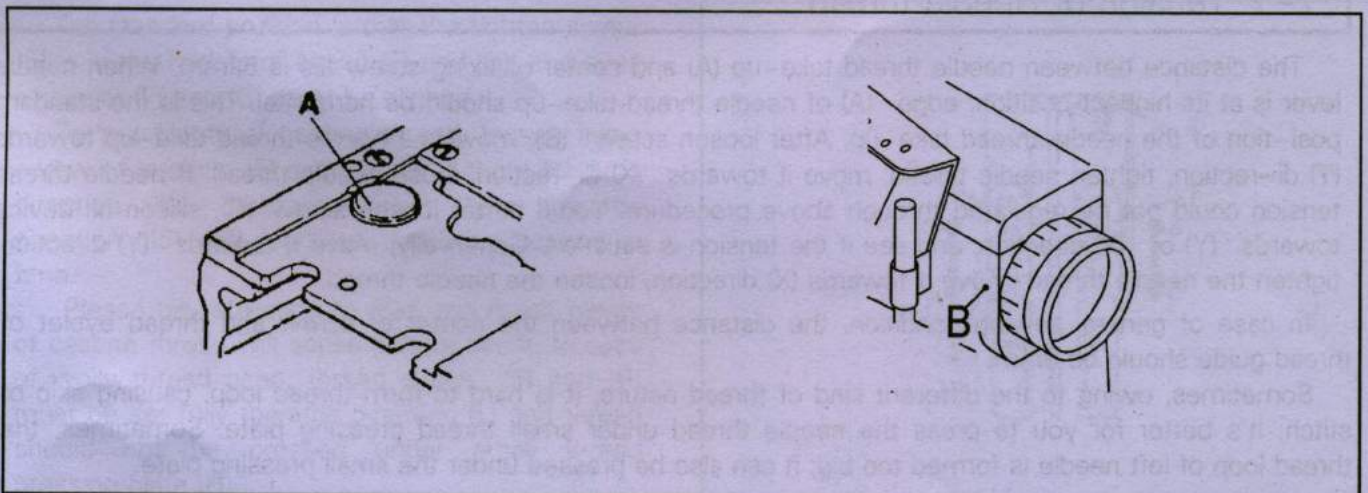
Change of stitch length

Press push button (A) with left hand lightly till the tip of which contact to a part inside.

Keep pressing, turn handwheel with right hand till push button gets in. At this point, press in push button strongly and turn handwheel.

A graduation on the circumference of handwheel indicates a stitch length (mm). Which should be aligned with the Mark (B), then release hand.

Note. In case of machine with UT device (lower thread trimmer) which is equipped with a motor with automatic needle positioning system, Motor switch must be turned off without fail when changing stitch length.



6-5 Adjusting Differential Feed

Normal differential feed or reverse differential feed can be set freely by turning Knob (C).

As differential feed and main feed is driven individually, when main feed amount (stitch length) is changed, the differential ratio changes accordingly. In this case readjustment is necessary.

The graduation shows the amount of differential feed. For instance, in Case the desired feed amount (stitch length) is "2" and if the graduation is set at "2" by turning knob (c) the differential ratio becomes 1:1.

※When setting the graduation over "2", it becomes normal differential and setting it under "2", it becomes reverse differential.

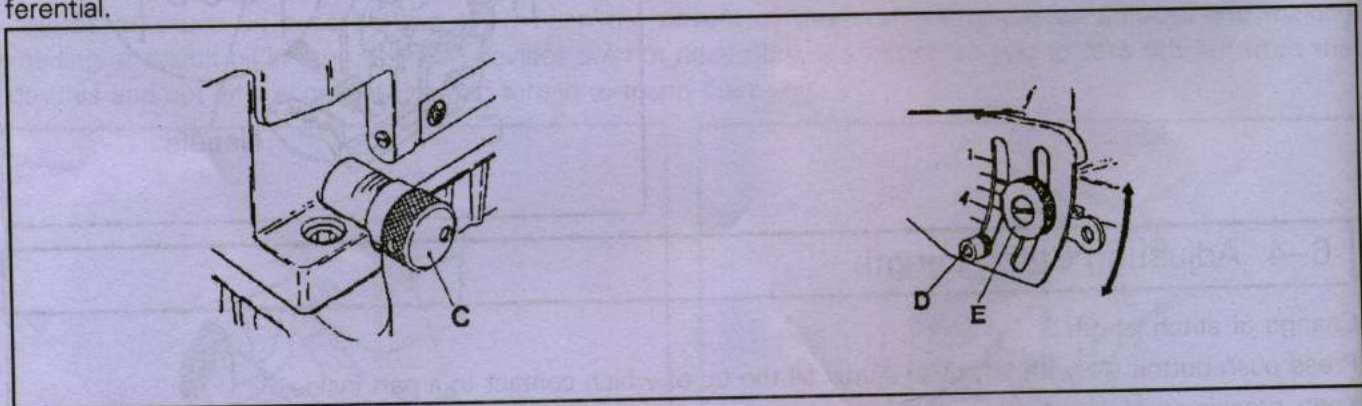
For the main feed amount the upper limit is "4".

When using differential feed control lever .

Fix differential feed control lever at the desired position with nut (E) within the range from the position of graduation on lever when turning knob (C) to stopper (D).

At the time of using max. differential feed. Turn knob (C) and set lever at graduation "1". For adjusting feed amount during operation, attach a chain to the lever.

※The range of differential ratio varies according to the stitch length. Refer to the table below range differential.



7. Proper Adjusting

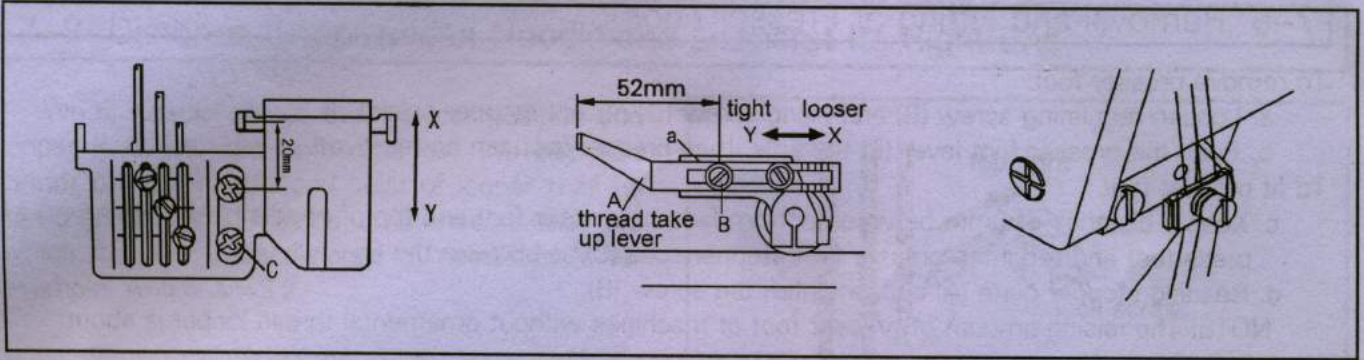
Each setting is on the standard position of the machine and no need to be adjusted. Under certain special situation, like to change different needles and hooks, or make some inner adjustment to sew special

7-1 Tension of Needle thread

The distance between needle thread take-up (A) and center of fixing screw (B) is 52mm. When needle lever is at its highest position, edge (A) of needle thread take-up should be horizontal. This is the standard position of the needle thread take-up. After loosen screw (B), move the needle thread take-up towards (Y) direction, tighten needle thread; move it towards (X) direction, loose needle thread. If needle thread tension could not be regulated through above procedure. You'd better loosen screw (C), silicon oil device towards (Y) or (X) direction, and see if the tension is satisfied. Generally, move it towards (Y) direction, tighten the needle thread; move it towards (X) direction, loosen the needle thread.

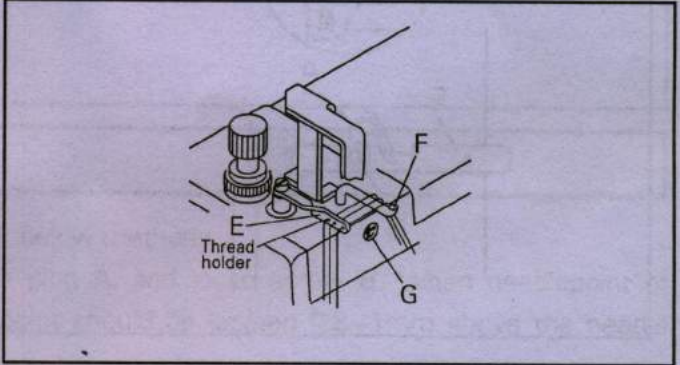
In case of general sewing condition, the distance between the center of screw and thread eyelet of thread guide should be 8mm.

Sometimes, owing to the different kind of thread nature, it is hard to form thread loop, causing skip of stitch; it's better for you to press the needle thread under small thread pressing plate. Sometimes, the thread loop of left needle is formed too big; it can also be pressed under the small pressing plate.



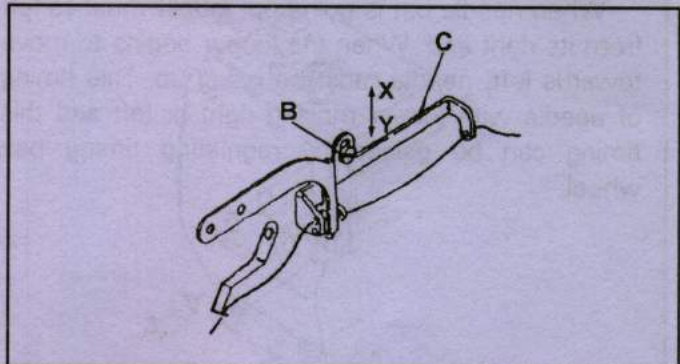
7-2 Adjusting of Needle Thread Retainer Device

In case of stretchable thread such as synthetic thread is used, needle thread loop will be unsteady, at this moment, loosen screw (G) and adjust device (F). To adjust the retainer device, when needle bar is at its lowest position, let the eye of eyelet (E) be even with the surface of thread retainer device (F).



7-3 Tension of Ornament Thread

To get plenty of ornamental running, lower the eyelet (C), by loosening screw (B) and otherwise to get little of thread running. Then, retighten the screw (B).

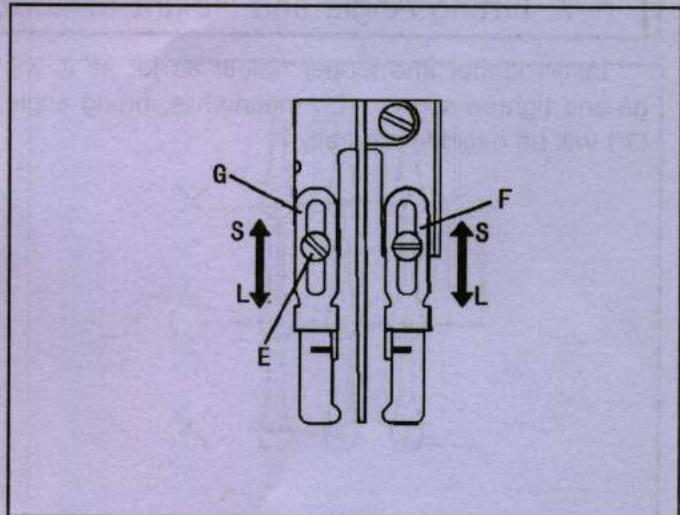


7-4 Adjusting of Tension of Loper Thread

The standard position is that the tighten screw (E) is in the middle of eyelet (F) and (G), and eyes of eyelet (F) and (G) must be aligned.

To get plenty of casting thread, loosen fixing screw of eyelets (F) and (G) move them towards direction (L), otherwise move them towards direction (S) and retighten the fixing screws in time.

Please pay attention to that, too much plenty of casting thread will cause skip of stitch. In case of wolly thread used, thread eyelet (F) and (G) must be set fully towards direction (L) and thread should not be pressed under small thread pressing plate (H).



7-5 Removal and Fitting of Presser Foot

To remove presser foot:

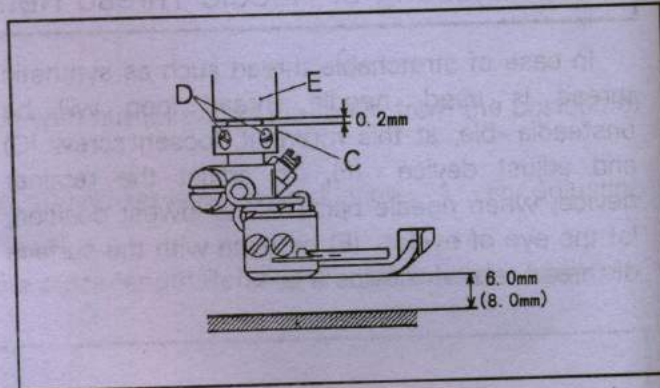
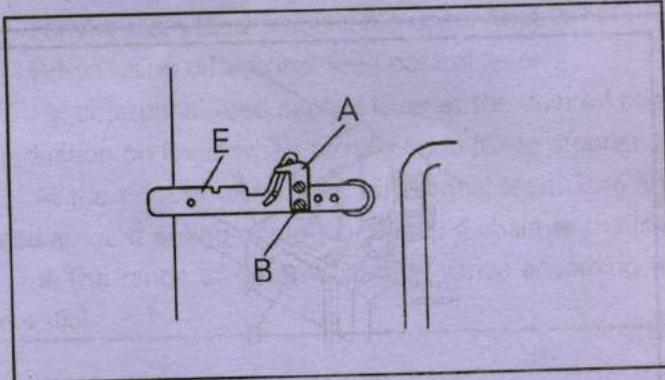
- Loosen regulating screw (B) and fixing screw (D) of foot stopper collar (C).
- Push the presser foot lever (E) towards, then presser foot can be removed.

To fit presser foot :

- Keep a distance of 6mm between bottom face of presser foot and top of needle plate. Then fix the press foot and retighten presser foot stopper collar (C) as show in the fig.
- Reading stopper plate (A) and retighten the screw (B).

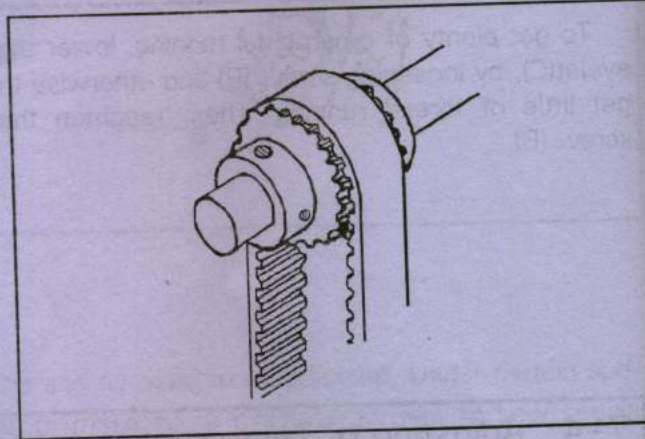
NOTE: The raising amount of presser foot of machines without ornamental thread looper is about 8mm.

And it is not necessary to use the stopper collar.



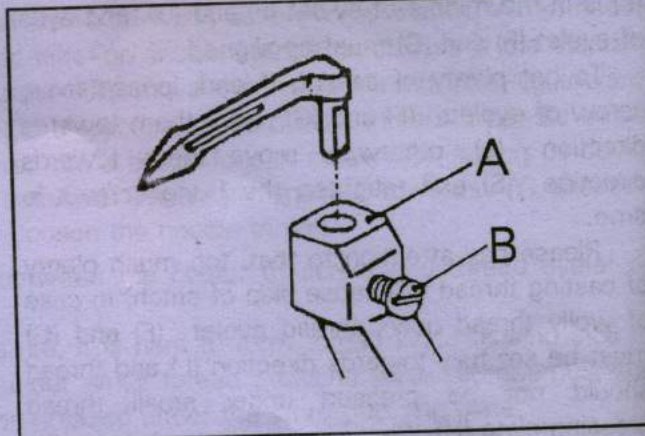
7-6 Timing of Needle with Looper Moving Right/Left

When needle bat is going up, looper must to left from its right end. When the looper begins to move towards left, needle must be going up. This timing of needle with looper moving right or left and this timing can be gained by regulating timing belt wheel.



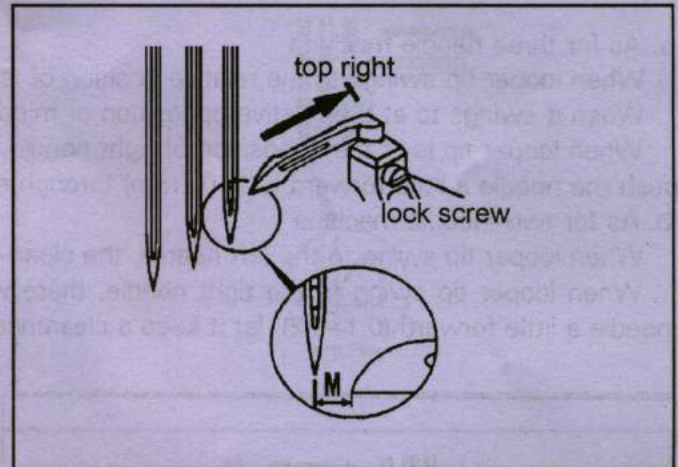
7-7 Fitting Angle and Height of Looper

Insert looper into looper holder as far as it will go and tighten screw (B), meanwhile, fitting angle (3°) will be decided naturally.



7-8 Distance (M) between Needle and Looper at Its Right End

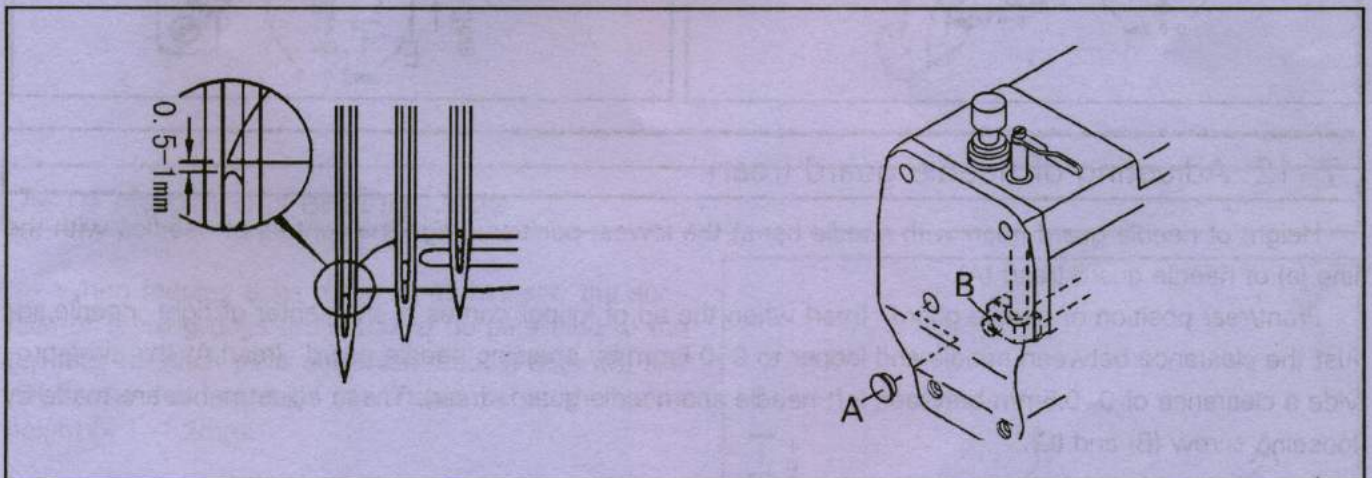
When needle are at their lowest position and looper is at its right end, distance (M) between center of right needle and point of looper shall be $M = 6 - A/2$, for 2-needle or 3-needle machine which the two sides distance of needle is A, for example, $A=5.6, M=3.2$.



7-9 Height of Needle Bar

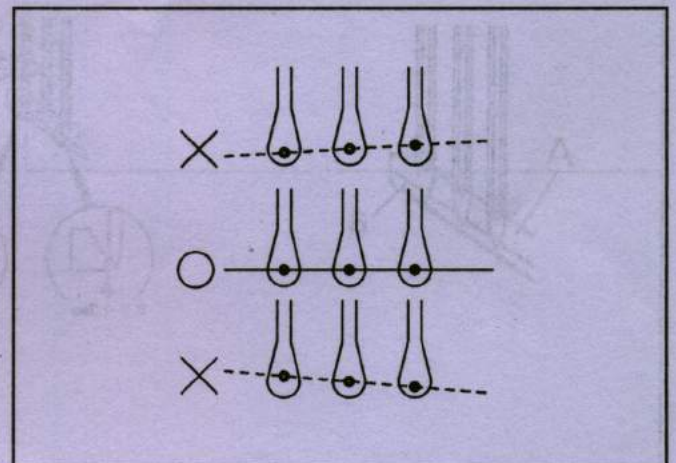
With special threads, please make adjustment as per below methods.

To adjust the height of needle bar, to open rubber plug A, and loose screw B. When needlepoint of looper move to the center of left needle, this needlepoint should be located 0.5-1mm above the needle



7-10 Relation between Needle and Stitch Plate

When the height of needle bar is set, needles must correctly formed in line as show in the illustration (solid line).



7-11 Relative Positioning of Needle and Loper in Front/Rear

a. As for three needle machine

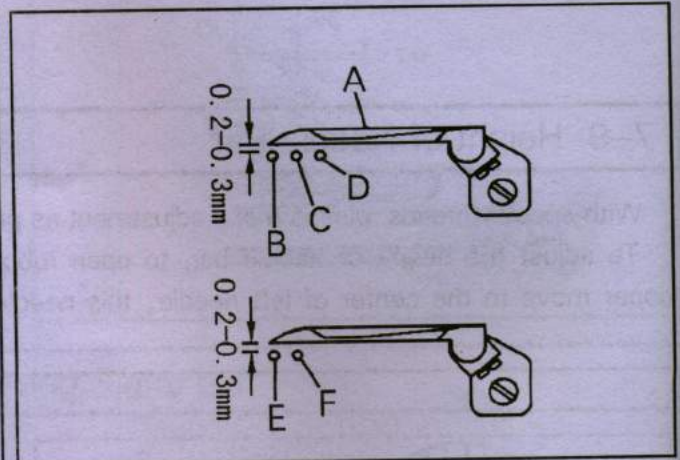
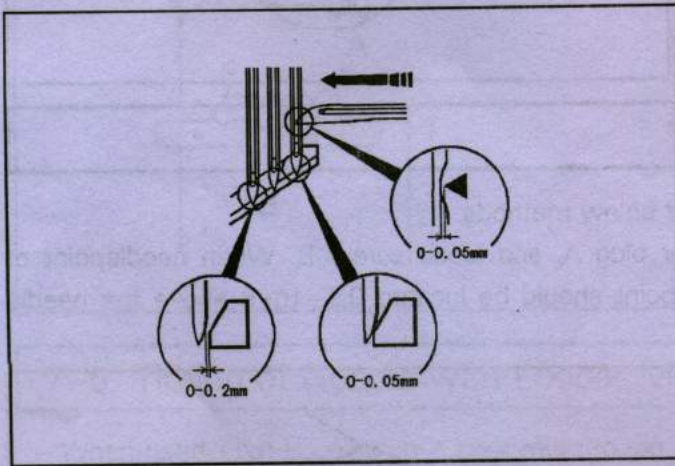
When looper tip swings to the relative position of left needle, a clearance of 0.2–0.3mm must be kept.
When it swings to at the relative opposition of middle needle, a clearance of 0.05–0.1mm must be kept.

When looper tip is at the opposition of right needle, there will appear a soft touch. It is necessary to push the needle a little forward (0.1–0.2mm) through needle guard (rear) let it keep a clearance of 0–0.05mm.

b. As for two-needle machine

When looper tip swing to the left needle, the clear-ance will be 0.2–0.3.

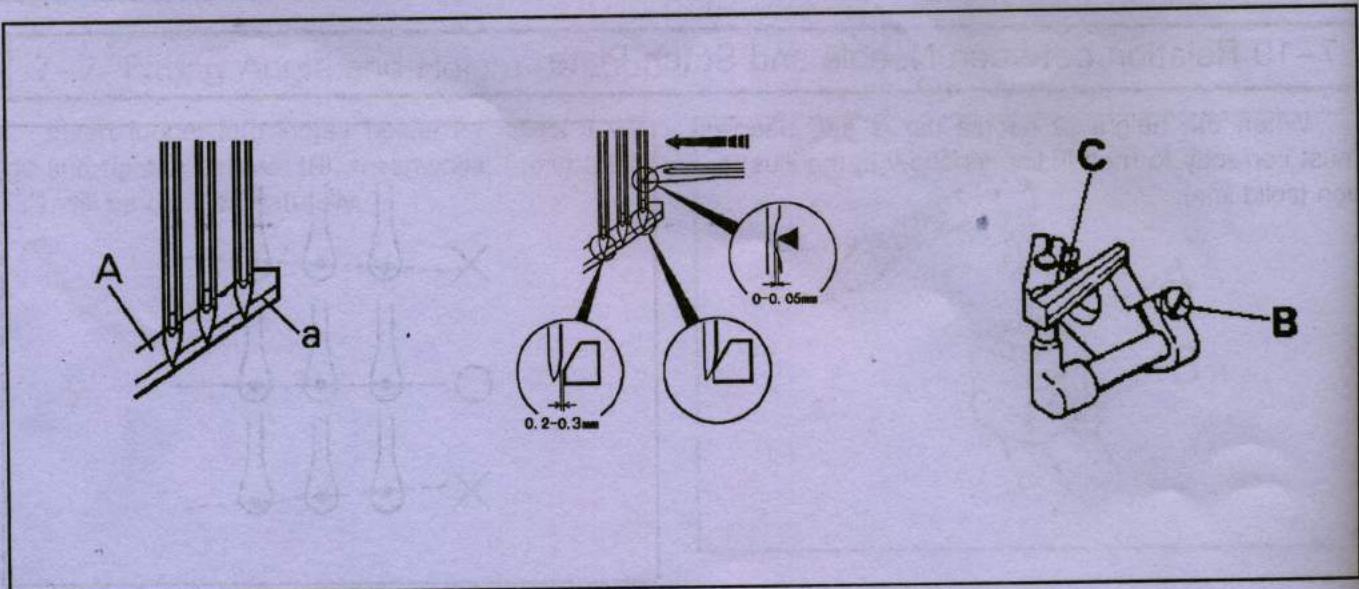
When looper tip swing to the right needle, there will be appear a soft touch, it is necessary to push the needle a little forward (0.1–0.2), let it keep a clearance of 0–0.05mm.



7-12 Adjusting of needle guard (rear)

Height of needle guard (rear) with needle bar at the lowest position, Align the centers of needles with the line (a) of needle guard (rear) (A).

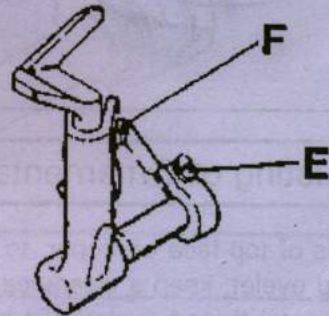
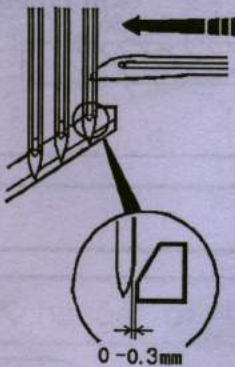
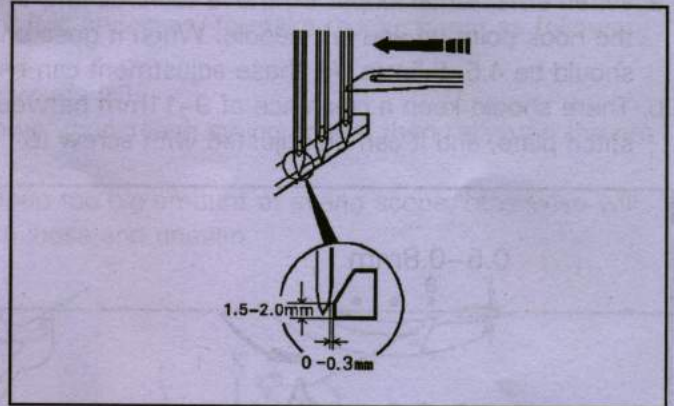
Front/rear position of needle guard (rear) when the tip of looper comes to the center of right needle, adjust the clearance between needle and looper to 0~0.5mm by pressing needle guard (rear), At this time, provide a clearance of 0~0.5mm between left needle and needle guard (rear). These adjustments are made by looseing screw (B) and (C).



7-13 Adjusting of needle guard (front)

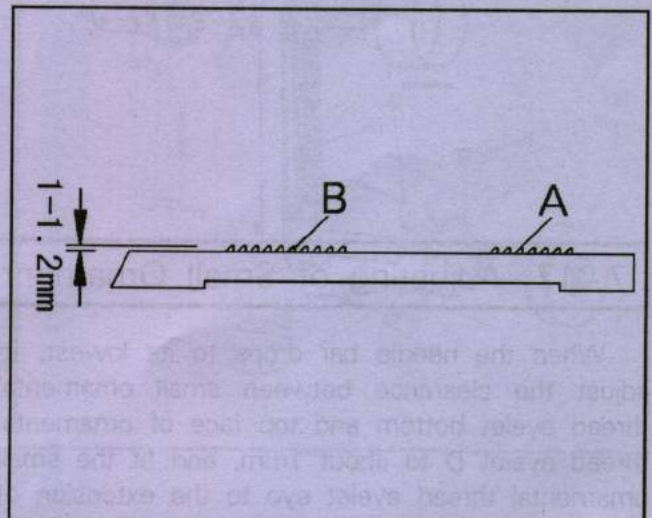
When the tip of looper comes to the center of left needle, Make it 1.5~2mm higher than the needle. At this time, Provide a clearance of 0~0.3mm between the needle and needle guard (Front) (D).

And when the tip of looper is returned to the right needle, provide a clearance of 0~0.3mm between the needle and needle guard (Front). These adjustments are made by loosening screw (E) and (F).



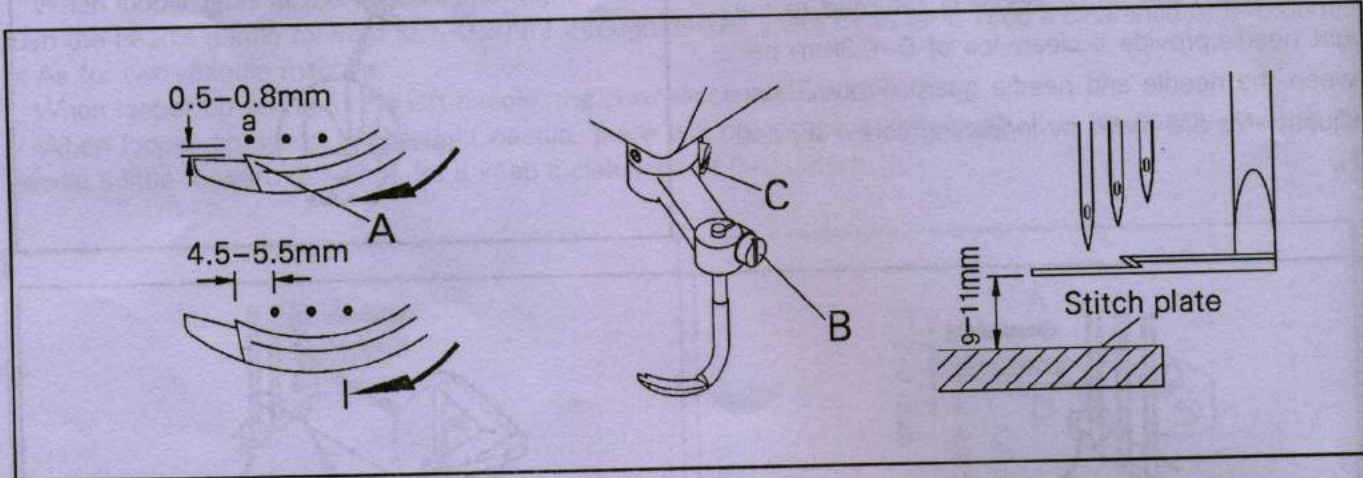
7-14 Height of Feeding Dogs

When feeding dogs move to its highest, the surface of feeding dogs tooth should be paralleled to the top face of stitch plate and main feeding dog (B) and differential feeding dog (A) should be at the same height of 1-1.2mm.



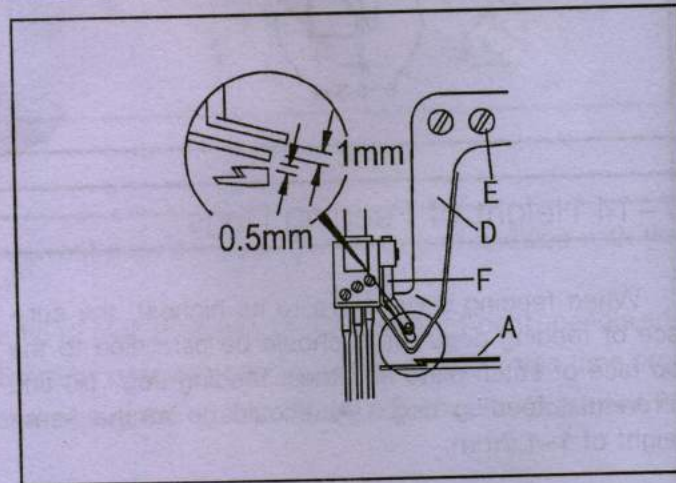
7-15 Fitting of Ornamental Looper and Its Adjusting

- When ornamental looper (A) move towards left, there should keep a clearance of 0.5–0.8mm between the hook point (a) and left needle. When it goes on moving to the left end above-mentioned clearance should be 4.5–5.5mm. All these adjustment can be made through the screw (C).
- There should keep a clearance of 9–11mm between the bottom of ornament looper (A) and top face of stitch plate, and it can be adjusted with screw (B).



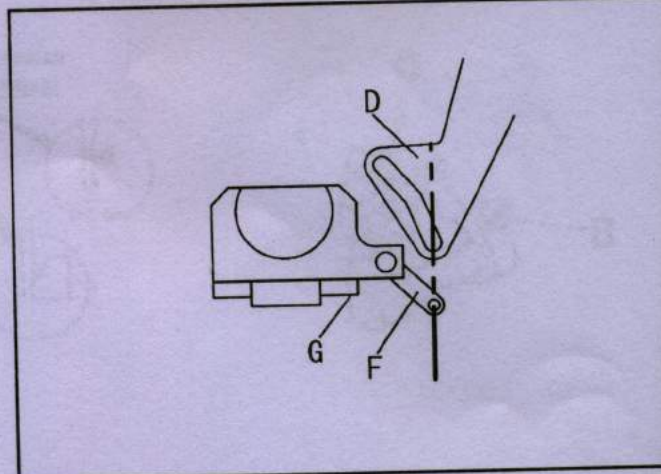
7-16 Adjusting of Ornamental Thread Eyelet

On the basis of top face of looper, to adjust ornamental thread eyelet, keep a clearance of 0.5mm between ornamental thread eyelet (D) bottom and top face of looper, confirm that there is no friction and hitting during sewing, then retighten fixing screw (E).



7-17 Adjusting of Small Ornament Thread Eyelet (F)

When the needle bar drops to its lowest, to adjust the clearance between small ornamental thread eyelet bottom and top face of ornamental thread eyelet D to about 1mm, and fit the small ornamental thread eyelet eye to the extension of long eye of ornamental thread eyelet.

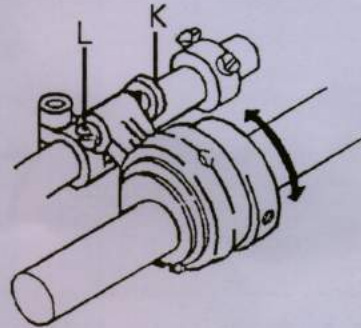
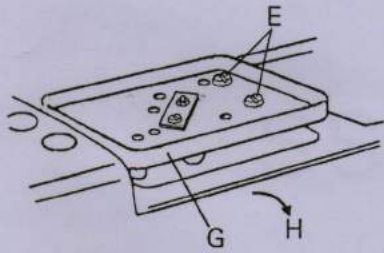


7-18 Adjusting of Swing Scope of Ornamental Looper

In ordinary case, the swing scope of ornamental looper is set proper before shipment. But sometimes, owing to different sewing fabric or process requirement it is necessary to make readjustment as follows:

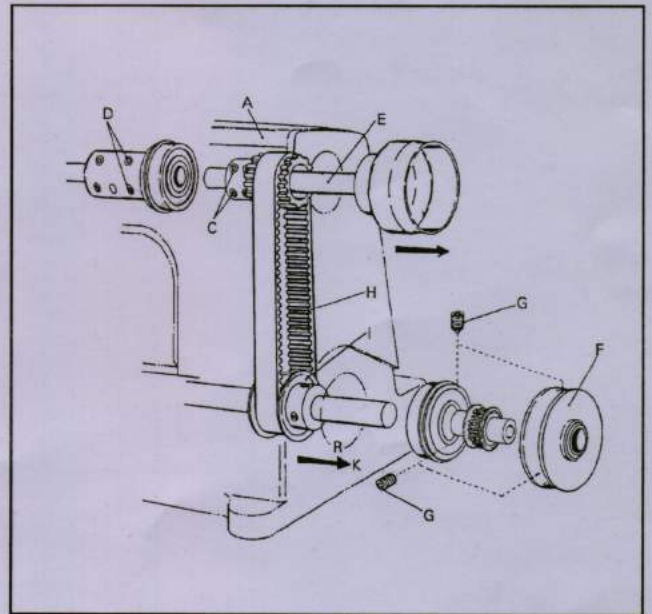
- a. Remove top cover.
- b. Remove screw (F) and move the oil reservoir out towards (H).
- c. Loosen nut (K); otherwise, to move the screw (L) down, to increase swing scope, then retighten the nut (K); otherwise, to move the screw (L) up.

NOTE: During adjustment, care must be taken not to keep too big amount of swing scope, otherwise will cause the ornamental thread too loose and stitch loose and uneven.



7-19 Exchange of Upper Shaft

- a. Remove top cover(A)
- b. After loosening screw (D), pull out upper shaft(E) while holding handwheel; pull upper shaft driving belt out of main shaft sprocket and as well as to remove the upper shaft from the machine.
- c. Loosen screw (G) on belt wheel and remove the belt wheel.
- d. Pull belt toward direction (K) out of the hole (R) of machine.
- e. To set new upper shaft driving belt, make assembling by the order of d-c-b-a in the opposite of above-mentioned. After setting, adjust the timing between looper and needle.
- f. After adjusting, tighten screw (D) of pulley steadily.



337 SERIES SUPER HIGH SPEED INTERLOCK SEWING MACHINE HEAD PACKING LIST

No.	Description	Qt		Note
		1356	/11	
1	Instruction book	1	1	
2	Supporting board	2	2	
3	Rubber cushions	4	4	
4	Setting screw(S)	4	4	
5	Setting screw(L)	4	4	
6	Washer(6)	8	8	
7	Hanging bolt	4	4	
8	Hanging nut	4	4	
9	Nut M8	8	8	
10	Rubber cushions nut M6	4	4	
11	Washer	12	12	
12	Supporting board rubber cushions	4	4	
13	Supporting board rubber cushions washer	4	4	
14	Belt cover (B)	1	1	
15	Screw M6x45	2	2	
16	Belt cover(S)	1	1	
17	Wood screw 4x16	3	3	
18	Belt	1	1	
19	Screwdriver 6x200 6x200	1/each	1/each	
20	Screwdriver 3x50	1	1	
21	Double open-end wrench B6x7 B8x10	1/each	1/each	
22	Screwdriver 1.6	1/each	1/each	
23	Thread tweezers	1	1	
24	Thread wire	1	1	
25	Silicon oil pot	1	1	
26	Oil tank	1	1	
27	Machine arm cover	1	1	
28	Spool stand	1	1	
29	Needle	1 pack	1 pack	
30	Upper folding device	1	1	
31	Lower folding device	1	1	
32	Washer	2	2	
33	Screws	2	2	
34	Back push	1	1	
35	Screws	2	2	
36	Material guide plate assy(L)	1	1	
37	Material guide plate assy(R)	1	1	
38	Screw M3x6	2	2	
39	Edeg rotating plate complete		1	
40	Presser foot		1	
41	The frame of needle plate		1	
42	Needle plate(5.6)		1	
43	Feed dog(5.6)		1	
44	Differential tooth(5.6)		1	
45	Wood screw M4x10		3	
46	Fixed plate	2	2	
47	Roller	2	2	
48	Pin	2	2	
49	Split pin (GB91-86) 2x8	2	2	
50	Screws (GB70-85) M4x10	4	4	
51	Chains	1	1	